



gorenje
Life Simplified

BUILT-IN 2015
APPLIANCES



QUALITY AND TRADITION

Gorenje has been producing high-quality home appliances for over 60 years. It is committed to the development of own technologies and to continuous improvement of its production processes. Drawing on Slovenian tradition and European values, Gorenje remains among the leading home appliance manufacturers in Europe. We are proud of every product that leaves our factories as we are aware that it was produced and tested to meet the stringent European environment protection standards.





OVENS

Built-in single ovens
Built in double ovens
Built-in microwave ovens
Built-in coffee machine
Warming drawers

4



HOBS

Induction hobs
Ceramic hobs
Gas hobs

34



HOODS

56



COOLING

Built-in fridge freezers
Built-in refrigerators
Built-in freezers

72



WASHING

Built-in dishwashers
Built-in washing machine
Built-in washer dryer

82



PRODUCT INFORMATION

Technical drawings
Symbol description
Aftersales support

90

PERSONAL FACTORY OF PERFECT TASTE

Ovens

Every Gorenje oven is a little wonder factory. A thousand physical processes take place in it, all controlled and perfectly coordinated to the end result - delicious food. Years of ambitious research into the physics behind baking, roasting and steaming have led to a wide range of features and functions that offer a unique cooking experience. These ovens are helpful personal assistants with a talent for details: an innovative shape that distributes hot air evenly, a monitoring device that cooks meat to perfection, a steaming tool that brings in just enough moisture. There are many interesting configurations to choose from, all of which are exceptionally user-friendly.







HomeMade shape

All the qualities of baking in wood-burning ovens

The characteristic rounded shape is one of the most beneficial features of Gorenje ovens. Inspired by traditional wood-burning ovens, it enables hot air to move around freely. Since the food is heated evenly and from all sides, it is always perfectly done:

crispy on the outside and juicy on the inside. Combined with the MultiFlow 360° ventilation system, it makes baking on all 5 levels possible.



MultiFlow 360°

All sides are good sides

MultiFlow 360° guarantees the optimal circulation of heat within the oven. Due to smartly positioned ventilation openings on the back wall and the unique round shape, air is spread evenly throughout the oven. The fan pushes hot air around the entire oven volume, making the food perfectly baked on all sides. The dynamic air movement allows simultaneous baking on many levels without smells and flavours mixing together.



Multi-level baking

Many dishes in one go

Combination of MultiFlow 360° and HomeMade shape helps reach the toughest objective: preparing five trays of dishes at once. The good news is: the flavors and smells don't mix. Smart air distribution ensures that the food is evenly baked on every level. Since the oven volume is larger, the overview is excellent as well. Superior models enable arranging the baking trays on five different levels.



AUTO programs

AutoProgrammes

Select, touch, done

Gorenje ovens provide fully automatic cooking programme with over 80 recipes to choose from, ideal for beginners. The secret of auto mode is quite simple – all the parameters such as time, temperature, heat, are automatically set. All that the user needs to do is choose the dish type and weight and press start. The oven will do the rest.

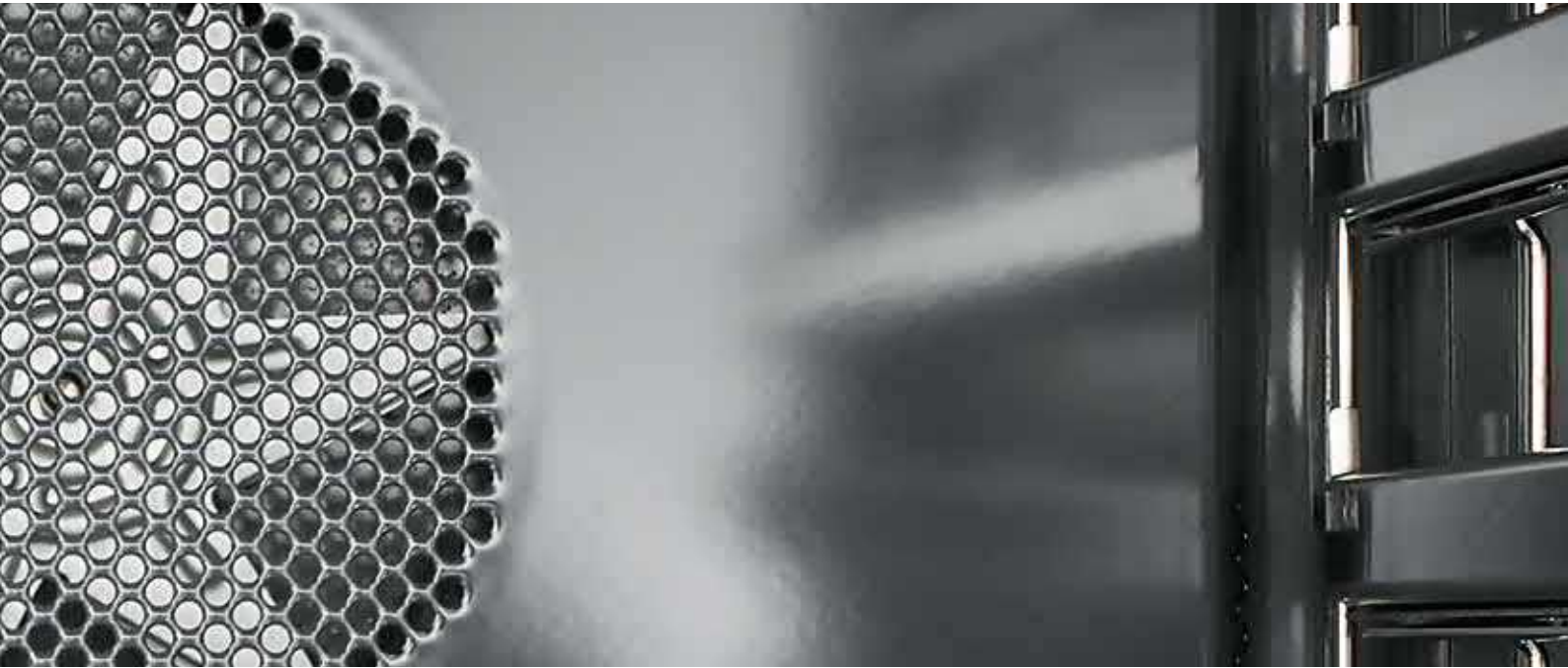


1 2 3

Step by step

Perfect food in 2, 3 or more steps

Cooking in phases is achieved by manually programming the many steps of the baking process. Throughout all the steps of the automatic cooking process there is no need to change the settings manually. It is also ideal for more experienced users and for dishes like bread and lasagne, which need temperature changes.



SilverMatte

Ultra resistant, ultra smooth coating

Enamel quality and type are exceptionally important for the oven and its operation. SilverMatte is a highly resistant and strong material that can stand extreme heats, even pyrolytic cleaning at 500 °C. Free from micro pores, it coats oven surfaces and

baking trays, making them resistant to the highest temperatures, microwaves and steam. The triple coating of the interior supports heat reflection and provides additional insulation. Therefore, the oven interior always stays sterile and safe.



PyroClean

Premium self-cleaning function

Pyrolytic cleaning is the most efficient and advanced way to clean an oven. The high cleaning temperature of up to 500°C leaves the oven completely clean, without a spot of grease. Gentle cleaning is over in 90 minutes, medium intensity cleaning ends in 120 minutes, while very intensive cleaning takes only 150 minutes where the effect is according to the duration. At the end, only the leftovers need to be wiped away. The oven is locked during and immediately after the cleaning process, which makes it family-friendly.



CataClean

A surface that stands no grease

Catalytic cleaning represents a great assistance in oven maintenance. When the oven reaches 85°C or more during the baking process, catalytic panels automatically start absorbing the grease and impurities.



AquaClean

Simple, casual cleaning

Due to completely new enamel in all lines of new Gorenje ovens, AquaClean function has been significantly improved. AquaClean offers great assistance in cleaning of the oven cavity. All it takes is to pour half a litre of water into a baking tray and turn AquaClean on after each baking. In just 30 minutes, the results are visible on the entire surface and the baking trays. Stains and grease are softened and can be wiped away more easily and the oven stays spotless.



BigSpace

More space for greater cooking freedom

The new generation of Gorenje ovens conceals a shape within the upper part. Now the optimised airflow circulates inside at an even greater volume, circling completely freely. The increased capacity allows preparation of larger baking trays and larger quantities of food, while their outside dimensions remain the same. Instead of the previous 3, the Superior oven now enables using 5 levels at the same time. Capacities range up to 75l in standard ovens and up to 50l in microwave ovens, which is amongst the largest available on the market.



GentleClose

Super easy and super silent

Only a soft touch is needed to close the oven door smoothly, without any noise.



Dehydration

Great food, always at hand

Dried fruit, vegetables, herbs and meat can be easily prepared at home. Dehydration is possible on up to 5 levels at the same time, which saves time and energy.



Yoghurt

A simple way to healthy stuff

A special function enables healthy yoghurt to be prepared at home. Automatic temperature and time settings provide optimal conditions that create homemade yoghurt in around 3 hours.





DC+ System

The DynamiCooling system efficiently cools the oven exterior (or housing) to prevent any damage caused by high temperature. In ovens with the DynamiCooling+ system, the heat sensors regulate the cooling of the oven exterior walls until they reach a temperature of 60 °C. This is particularly convenient in ovens with the pyrolytic cleaning function which works with extremely high temperatures.



UltraCoolDoor

Special triple or even quadruple glazing isolates the oven, making it even safer for children and pets. The heat is kept inside, optimising energy consumption by stopping heat escaping from the oven.



SuperSize

More spacious ovens allow you to cook a larger quantity of food – not only because of even air circulation at all levels, but also because of the 46cm wide baking trays in both standard and compact ovens. Innovative solutions allow a larger interior and the oven width is fully used. There is more space on each baking tray and the superior technology makes sure the food is cooked evenly on all levels.



TelescopicGuides

Smooth running telescopic guides provide a perfect overview of the process on all levels. This means safer and easier removal and cleaning. Gorenje ovens feature fully pulled out guides on three levels in Superior line. During the pyrolytic cleaning, they should be removed from the oven.



PerfectGrill

The best baking results are achieved with a combination of larger and smaller heaters, where the latter is positioned inside the larger one. The smart positioning of the grill allows optimal heat distribution and provides the ultimate baking results every time, so food is crispy on the outside and soft on the inside. A variable grill combination can use either the inner or outer heater, or both at once. In advanced models, the heater is movable for easier cleaning and maintenance.



AutoRoast

The AutoRoast function first heats the oven to 230°C. The food is roasted for 30 minutes and then the temperature drops to the set level. A smart combination of time and temperature creates ideal roasting conditions. As a result, meat is crispy and well done on the outside and perfectly soft and tender on the inside.



MeatProbe

By controlling the temperature inside the meat, the MeatProbe manages the entire process and even activates the alarm when the time is right.



TouchFree coating

All stainless steel surfaces are coated with a special TouchFree film that prevents fingerprints markings, leaving the surface always shiny and making cleaning much easier.



FastPreheat

The oven reaches a temperature of up to 200°C in just 6 minutes, saving 30 % of the time needed by standard preheating. This comes in handy for recipes that require a preheated oven. A light and sound signal informs when the temperature is right.



SlowBake

SlowBake bakes food at low temperatures for up to 6 hours. Due to the long preparation periods, meat and fish are softened but retain their juiciness, aroma and nutrients.

Different layouts and combinations



BO 547 S10X & UWD 1400 X

Matching design

The Gorenje Superior line of 60cm ovens, 45cm compact ovens and coffee machine are designed to allow a number of different layouts and combinations. Regardless of whether the appliances are fitted in a column, in a row, square, or in a T-shape, they will endow your kitchen with a new sense of harmony and offer total alignment of the fascia panels and handles between all of the "Superior Range" models.



CMA 9200 UX & UWD 1400 X

BCM 547 S12X & UWD 1400 X



BOP 747 S32X
BCM 547 S12X & UWD 1400 X



BOP 747 S32X
BCM 547 S12X & UWD 1400 X
BO 747 S30X
CMA 9200 UX & UWD 1400 X



BOP 747 S32X
BO 747 S30X
CMA 9200 UX & UWD 1400 X
BCM 547 S12X & UWD 1400 X



BOP 799 S51X
Built-in pyrolytic single oven

Superior Line

BO 799 S50X
Built-in single oven

Superior Line



- Colour: Stainless steel
- Handle colour: Stainless steel
- Control panel material: Glass and stainless steel
- GentleClose door hinge

- Colour: Stainless steel
- Handle colour: Stainless steel
- Control panel material: Glass and stainless steel
- GentleClose door hinge

Efficiency

- Multisystem oven BigSpace - 73 l
- SuperSize baking area
- Surface of the largest baking pan: 1316 cm²
- HomeMADE® modelled on traditional wood-fired bread oven
- PerfectGrill

- Multisystem oven BigSpace - 75 l
- SuperSize baking area
- Surface of the largest baking pan: 1316 cm²
- HomeMADE® modelled on traditional wood-fired bread oven
- PerfectGrill

Control

- Electronic control
- HomeChef, electronic programme module

- Electronic control
- HomeChef, electronic programme module

Heating types



Features

- Double lightning // Baking on different levels at the same time // MultiFlow 360°

- Double lightning // Baking on different levels at the same time // MultiFlow 360°

Equipment

- 1 Deep enameled pyrolytic pan // 2 Shallow enameled pyrolytic pans // 1 Glass baking pan // 1 Wire shelf // 1 Meat probe // Pyrolytic wire oven guides // Telescopic oven guides - 3 levels

- 1 Deep enameled pan // 2 Shallow enameled pans // 1 Glass baking pan // 1 Wire shelf // 1 Meat probe // Telescopic oven guides - 3 levels

Safety

- Thermoelectric fuse
- Dynamic oven cooling plus - DC+
- Quadruple glazed oven door with double heat deflector (UltraCoolDoorQuadro)
- Mechanic door safety bolt

- Thermoelectric fuse
- Dynamic oven cooling plus - DC+
- Triple glazed oven door with double heat deflector (UltraCoolDoor)
- Mechanic door safety bolt

EasyCleaning

- SilverMatte (easy clean enamel surface)
- Smooth oven door surface

- SilverMatte (easy clean enamel surface)
- Smooth oven door surface

Technical data

- Energy consumption: 0.91 kWh (venting), 0.94 kWh (conventional)
- Connected load: 3400 W
- Product dimensions (HxWxD): 59.5 × 59.5 × 54.6 cm
- Niche dimensions (HxWxD): 59 × 56 × 55 cm
- EAN code: 3838942050602
- Product code: 498530

- Energy consumption: 0.85 kWh (venting), 0.94 kWh (conventional)
- Connected load: 3400 W
- Product dimensions (HxWxD): 59.5 × 59.5 × 54.6 cm
- Niche dimensions (HxWxD): 59 × 56 × 55 cm
- EAN code: 3838942050596
- Product code: 498529




BOP 747 S32X

Built-in pyrolytic single oven

Superior Line





- Colour: Stainless steel
- Handle colour: Stainless steel
- Control panel material: Glass and stainless steel
- GentleClose door hinge




BO 747 S30X



Built-in single oven

Superior Line





- Colour: Stainless steel
- Handle colour: Stainless steel
- Control panel material Glass and stainless steel
- GentleClose door hinge

Efficiency	<ul style="list-style-type: none"> - Multisystem oven BigSpace - 73 l - SuperSize baking area - Surface of the largest baking pan: 1316 cm² - HomeMADE® modelled on traditional wood-fired bread oven - PerfectGrill 	<ul style="list-style-type: none"> - Multisystem oven BigSpace - 75 l - SuperSize baking area - Surface of the largest baking pan: 1316 cm² - HomeMADE® modelled on traditional wood-fired bread oven - PerfectGrill
Control	<ul style="list-style-type: none"> - Electronic control - Knob shape: Ergonomic push pull knobs - Knobs illumination - IconTouch 	<ul style="list-style-type: none"> - Electronic control - Knob shape: Ergonomic push pull knobs - Knobs illumination - IconTouch
Heating types		
Features	- Illumination // Baking on different levels at the same time // MultiFlow 360°	- Illumination // Baking on different levels at the same time // MultiFlow 360°
Equipment	- 1 Deep enameled pyrolytic pan // 2 Shallow enameled pyrolytic pans // 1 Wire shelf // Meat probe // Pyrolytic wire oven guides // Telescopic oven guides - 2 levels	- 1 Deep enameled pan // 2 Shallow enameled pans // 1 Wire shelf // Meat probe // Telescopic oven guides - 2 levels
Safety	<ul style="list-style-type: none"> - Thermoelectric fuse - Dynamic oven cooling plus - DC+ - Quadruple glazed oven door with double heat deflector (UltraCoolDoorQuadro) 	<ul style="list-style-type: none"> - Thermoelectric fuse - Dynamic oven cooling plus - DC+ - Triple glazed oven door with two heat deflector (UltraCoolDoor)
EasyCleaning	<ul style="list-style-type: none"> - SilverMatte (easy clean enamel surface) - Smooth oven door surface 	<ul style="list-style-type: none"> - SilverMatte (easy clean enamel surface) - Smooth oven door surface
Technical data	<ul style="list-style-type: none"> - Energy consumption: 0.91 kWh (venting), 0.94 kWh (conventional) - Connected load: 3400 W - Product dimensions (HxWxD): 59.5 × 59.5 × 54.6 cm - Niche dimensions (HxWxD): 59 × 56 × 55 cm - EAN code: 3838942030468 - Product code: 479679 	<ul style="list-style-type: none"> - Energy consumption: 0.85 kWh (venting), 0.94 kWh (conventional) - Connected load: 3400 W - Product dimensions (HxWxD): 59.5 × 59.5 × 54.6 cm - Niche dimensions (HxWxD): 59 × 56 × 55 cm - EAN code: 3838942030451 - Product code: 479680



BO 547 S10X
Built-in compact oven

Superior Line

A Energy Class

59.5 cm | 45.5 cm | 51 l | DC+ | CD

- Colour: Stainless steel
- Handle colour: Stainless steel
- Control panel material: Glass and stainless steel
- GentleClose door hinge



BO 658 A41XG
Built-in single oven

Advanced Line

A Energy Class

67 l | 59.7 cm | DC+ | CD

- Colour: Stainless steel
- Handle colour: Stainless steel
- Control panel material: Glass and stainless steel
- GentleClose door hinge

Efficiency	<ul style="list-style-type: none"> - Multifunction oven - 51 l - SuperSize baking area - Surface of the largest baking pan: 1316 cm² - HomeMADE® modelled on traditional wood-fired bread oven - PerfectGrill 	<ul style="list-style-type: none"> - Multisystem oven BigSpace - 67 l - SuperSize baking area - Surface of the largest baking pan: 1316 cm² - HomeMADE® modelled on traditional wood-fired bread oven - PerfectGrill
Control	<ul style="list-style-type: none"> - Electronic control - Knob shape: Ergonomic push pull knobs - Knobs illumination - IconTouch 	<ul style="list-style-type: none"> - Electronic control - DirecTouch
Heating types		
Features	<ul style="list-style-type: none"> - Illumination // Baking on different levels at the same time // MultiFlow 360° 	<ul style="list-style-type: none"> - Illumination - Baking on different levels at the same time
Equipment	<ul style="list-style-type: none"> - 1 Deep baking pan - 1 Shallow enameled pan - 1 Wire shelf - Meat probe - Wire oven guides 	<ul style="list-style-type: none"> - 1 Deep enameled pan // 1 Shallow enameled pan // 1 Wire shelf // 1 Meat probe // Telescopic oven guides - 3 levels // Catalytic oven side and backwall
Safety	<ul style="list-style-type: none"> - Thermoelectric fuse - Dynamic oven cooling plus - DC+ - Triple glazed oven door with one heat deflector (CoolDoor) 	<ul style="list-style-type: none"> - Thermoelectric fuse - Dynamic oven cooling plus - DC+ - Triple glazed oven door with one heat deflector (CoolDoor) - Mechanic door safety bolt
EasyCleaning	<ul style="list-style-type: none"> - SilverMatte (easy clean enamel surface) - Smooth oven door surface 	<ul style="list-style-type: none"> - Catalytic cleaning CataClean - SilverMatte (easy clean enamel surface) - Smooth oven door surface
Technical data	<ul style="list-style-type: none"> - Energy consumption: 0.76 kWh (venting), 0.83 kWh (conventional) - Connected load: 2600 W - Product dimensions (HxWxD): 45.5 × 59.5 × 54.6 cm - Niche dimensions (HxWxD): 45 × 56 × 55 cm - EAN code: 3838942050619 - Product code: 498541 	<ul style="list-style-type: none"> - Energy consumption: 0.85 kWh (venting), 0.92 kWh (conventional) - Connected load: 3300 W - Product dimensions (HxWxD): 59.5 × 59.7 × 54.7 cm - Niche dimensions min-max (HxWxD): 58.3-60 × 56-56.8 × 55 cm - EAN code: 3838942050732 - Product code: 498576




BOP 647 A12XG

Built-in pyrolytic single oven

Advanced Line




- Colour: Stainless steel
- Handle colour: Stainless steel
- Control panel material: Glass and stainless steel
- GentleClose door hinge




BO 647 A20XG



Built-in single oven

Advanced Line





- Colour: Stainless steel
- Handle colour: Stainless steel
- Control panel material: Glass and stainless steel
- GentleClose door hinge

Efficiency	<ul style="list-style-type: none"> - Multisystem oven BigSpace - 65 l - SuperSize baking area - Surface of the largest baking pan: 1316 cm² - HomeMADE® modelled on traditional wood-fired bread oven - PerfectGrill 	<ul style="list-style-type: none"> - Multisystem oven BigSpace - 67 l - SuperSize baking area - Surface of the largest baking pan: 1316 cm² - HomeMADE® modelled on traditional wood-fired bread oven - PerfectGrill
Control	<ul style="list-style-type: none"> - Electronic control - Knobs illumination - Knob shape: Ergonomic push pull knobs - IconTouch 	<ul style="list-style-type: none"> - Electronic control - Knobs illumination - Knob shape: Ergonomic push pull knobs - IconTouch
Heating types		
Features	<ul style="list-style-type: none"> - Illumination - Baking on different levels at the same time 	<ul style="list-style-type: none"> - Illumination - Baking on different levels at the same time
Equipment	<ul style="list-style-type: none"> - 1 Deep enameled pyrolytic pan - 1 Shallow enameled pyrolytic pan - 1 Wire shelf - Pyrolytic wire oven guides 	<ul style="list-style-type: none"> - 1 Deep enameled pan - 1 Shallow enameled pan - 1 Wire shelf - Telescopic oven guides - 1 level - Catalytic oven side and backwall
Safety	<ul style="list-style-type: none"> - Thermoelectric fuse - Dynamic oven cooling plus - DC+ - Quadruple glazed oven door with double heat deflector (UltraCoolDoorQuadro) 	<ul style="list-style-type: none"> - Thermoelectric fuse - Dynamic oven cooling plus - DC+ - Triple glazed oven door with one heat deflector (CoolDoor) - Mechanic door safety bolt
EasyCleaning	<ul style="list-style-type: none"> - SilverMatte (easy clean enamel surface) - Smooth oven door surface 	<ul style="list-style-type: none"> - Catalytic cleaning CataClean - SilverMatte (easy clean enamel surface) - Smooth oven door surface
Technical data	<ul style="list-style-type: none"> - Energy consumption: 0.87 kWh (venting), 0.92 kWh (conventional) - Connected load: 3300 W - Product dimensions (HxWxD): 59.5 × 59.7 × 54.7 cm - Niche dimensions min-max (HxWxD): 58.3-60 × 56.4-56.8 × 55 cm - EAN code: 3838942052651 - Product code: 498581 	<ul style="list-style-type: none"> - Energy consumption: 0.85 kWh (venting), 0.92 kWh (conventional) - Connected load: 3300 W - Product dimensions (HxWxD): 59.5 × 59.7 × 54.7 cm - Niche dimensions min-max (HxWxD): 58.3-60 × 56-56.8 × 55 cm - EAN code: 3838942052668 - Product code: 498580



BOP 637 E11X Essential Line
Built-in pyrolytic single oven

BO 637 E24X Essential Line
Built-in single oven



- Colour: Stainless steel
- Handle colour: Stainless steel
- Control panel material: Stainless steel
- GentleClose door hinge

- Colour: Stainless steel
- Handle colour: Stainless steel
- Control panel material: Stainless steel
- GentleClose door hinge

Efficiency	<ul style="list-style-type: none"> - Multisystem oven BigSpace - 65 l - SuperSize baking area - Surface of the largest baking pan: 1316 cm² - HomeMADE® modelled on traditional wood-fired bread oven - PerfectGrill 	<ul style="list-style-type: none"> - Multisystem oven BigSpace - 67 l - SuperSize baking area - Surface of the largest baking pan: 1316 cm² - HomeMADE® modelled on traditional wood-fired bread oven - PerfectGrill
Control	<ul style="list-style-type: none"> - Mechanic temperature control - Knob shape: Ergonomic push pull knobs - IconLed 	<ul style="list-style-type: none"> - Mechanic temperature control - Knob shape: Ergonomic push pull knobs - IconLed
Heating types		
Features	<ul style="list-style-type: none"> - Illumination - Baking on different levels at the same time 	<ul style="list-style-type: none"> - Illumination - Baking on different levels at the same time
Equipment	<ul style="list-style-type: none"> - 1 Deep enameled pan - 1 Shallow enameled pan - 1 Wire shelf - Wire oven guides 	<ul style="list-style-type: none"> - 1 Deep enameled pan - 1 Shallow enameled pan - 1 Wire shelf - Telescopic oven guides - 1 level - Catalytic Backwall
Safety	<ul style="list-style-type: none"> - Thermoelectric fuse - Dynamic oven cooling plus - DC+ - Quadruple glazed oven door with double heat deflector (UltraCoolDoorQuadro) 	<ul style="list-style-type: none"> - Thermoelectric fuse - Dynamic oven cooling plus - DC+ - Triple glazed oven door with one heat deflector (CoolDoor)
EasyCleaning	<ul style="list-style-type: none"> - SilverMatte (easy clean enamel surface) - Smooth oven door surface 	<ul style="list-style-type: none"> - SilverMatte (easy clean enamel surface) - Smooth oven door surface
Technical data	<ul style="list-style-type: none"> - Energy consumption: 0.87 kWh (venting), 0.92 kWh (conventional) - Connected load: 3300 W - Product dimensions (HxWxD): 59.5 × 59.7 × 54.7 cm - Niche dimensions min-max (HxWxD): 58.3-60 × 56.4-56.8 × 55 cm - EAN code: 3838942030444 - Product code: 479711 	<ul style="list-style-type: none"> - Energy consumption: 0.85 kWh (venting), 0.92 kWh (conventional) - Connected load: 3300 W - Product dimensions (HxWxD): 59.5 × 59.7 × 54.7 cm - Niche dimensions min-max (HxWxD): 58.3-60 × 56-56.8 × 55 cm - EAN code: 3838942050749 - Product code: 498575




BO 635 E11BUK

Built-in single oven

Essential Line



Energy Class

59.7 cm

67 l



- Colour: Black
- Handle colour: Black
- Control panel material: Stainless steel
- GentleClose door hinge




BO 635 E11WUK

Built-in single oven

Essential Line



Energy Class

59.7 cm

67 l





- Colour: White
- Handle colour: Stainless steel
- Control panel material: Varnished metal
- GentleClose door hinge

BO 635 E11XUK

- Colour: Stainless steel
- Handle colour: Stainless steel
- EAN code: 3838942030437
- Product code: 479712



Efficiency	<ul style="list-style-type: none"> - Multisystem oven BigSpace - 67 l - SuperSize baking area - Surface of the largest baking pan: 1316 cm² - HomeMADE® modelled on traditional wood-fired bread oven - PerfectGrill 	<ul style="list-style-type: none"> - Multisystem oven BigSpace - 67 l - SuperSize baking area - Surface of the largest baking pan: 1316 cm² - HomeMADE® modelled on traditional wood-fired bread oven - PerfectGrill
Control	<ul style="list-style-type: none"> - Mechanic temperature control - Knob shape: Ergonomic sinkable push pull knobs - IconLed 	<ul style="list-style-type: none"> - Mechanic temperature control - Knob shape: Ergonomic sinkable push pull knobs - IconLed
Heating types		
Features	<ul style="list-style-type: none"> - Illumination - Baking on different levels at the same time 	<ul style="list-style-type: none"> - Illumination - Baking on different levels at the same time
Equipment	<ul style="list-style-type: none"> - 1 Deep enameled pan - 1 Shallow enameled pan - 1 Wire shelf - Wire oven guides 	<ul style="list-style-type: none"> - 1 Deep enameled pan - 1 Shallow enameled pan - 1 Wire shelf - Wire oven guides
Safety	<ul style="list-style-type: none"> - Thermoelectric fuse - Dynamic oven cooling plus – DC+ - Triple glazed oven door with one heat deflector (CoolDoor) 	<ul style="list-style-type: none"> - Thermoelectric fuse - Dynamic oven cooling plus – DC+ - Triple glazed oven door with one heat deflector (CoolDoor)
EasyCleaning	<ul style="list-style-type: none"> - SilverMatte (easy clean enamel surface) - Smooth oven door surface 	<ul style="list-style-type: none"> - SilverMatte (easy clean enamel surface) - Smooth oven door surface
Technical data	<ul style="list-style-type: none"> - Energy consumption: 0.86 kWh (venting), 0.92 kWh (conventional) - Connected load: 2700 W - Product dimensions (HxWxD): 59.5 × 59.7 × 54.7 cm - Niche dimensions min-max (HxWxD): 58.3-60 × 56-56.8 × 55 cm - EAN code: 3838942030420 - Product code: 479713 	<ul style="list-style-type: none"> - Energy consumption: 0.86 kWh (venting), 0.92 kWh (conventional) - Connected load: 2700 W - Product dimensions (HxWxD): 59.5 × 59.7 × 54.7 cm - Niche dimensions min-max (HxWxD): 58.3-60 × 56-56.8 × 55 cm - EAN code: 3838942030314 - Product code: 479714



BD 2136 AX
Built-in double oven

BDU 2136 AX
Built under double oven

5 YEAR WARRANTY

A Energy Class | **A** Energy Class

59.4 cm | 40 l | 65 l

5 YEAR WARRANTY

A Energy Class | **A** Energy Class

59.5 cm | 40 l | 50 l

- Handle colour: Stainless steel
- Control panel material: Glass

- Handle colour: Stainless steel
- Control panel material: Glass

Top oven

- Conventional oven - 40 litres capacity
-
- Wire shelf guides with three levels
- Grill

- Conventional oven - 40 litres capacity
-
- Wire shelf guides with three levels
- Grill

Main oven

- Multifunction oven - 65 litres capacity
-
- Wire shelf guides with three levels
- Grill

- Multifunction oven - 50 litres capacity
-
- Wire shelf guides with three levels
- Grill

Features

- Electronic timer

- Electronic timer

Double oven equipment

- Top oven*
- Grill grid, baking tray
- Main oven*
- 1 Grill grid
 - 1 Shallow pan + trivet
 - 1 Grill pan handle
 - Rounded metal strips

- Top oven*
- Grill grid, baking tray
- Main oven*
- 1 Grill grid
 - 1 Shallow pan + trivet
 - 1 Grill pan handle
 - Rounded metal strips

Technical data

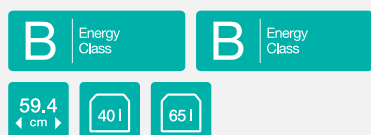
- Connected load: 4920 W
- Dimensions (HxWxD): 88.8 x 59.4 x 56.1 cm
- Aperture dimensions (HxWxD): 88 x 56 x 56 cm
- EAN code: 3838942820830
- Product code: 399135

- Connected load: 4120 W
- Dimensions (HxWxD): 71.5 x 59.5 x 56.7 cm
- Aperture dimensions (HxWxD): 71.7 x 56.2-56.5 x 56 cm
- EAN code: 3838942861970
- Product code: 408269

5
YEAR
WARRANTY5
YEAR
WARRANTY

BD 2116 AX

Built-in double oven



- Handle colour: Stainless steel
- Control panel material: Stainless steel

BDU 2116 AX

Built under double oven



- Handle colour: Stainless steel
- Control panel material: Stainless steel

Top oven	<ul style="list-style-type: none"> - Conventional oven - 40 litres capacity  - Wire shelf guides with three levels - Grill 	<ul style="list-style-type: none"> - Conventional oven - 40 litres capacity  - Wire shelf guides with three levels - Grill
Main oven	<ul style="list-style-type: none"> - Fan oven - 65 litres capacity  - Wire shelf guides with three levels 	<ul style="list-style-type: none"> - Fan oven - 50 litres capacity  - Wire shelf guides with three levels
Features	- Electronic timer	- Electronic timer
Double oven equipment	<p><i>Top oven</i></p> <ul style="list-style-type: none"> - Wire shelf <p><i>Main oven</i></p> <ul style="list-style-type: none"> - Shallow grill pan and trivet - Wire shelf 	<p><i>Top oven</i></p> <ul style="list-style-type: none"> - Wire shelf <p><i>Main oven</i></p> <ul style="list-style-type: none"> - Shallow grill pan and trivet - Wire shelf
Technical data	<ul style="list-style-type: none"> - Connected load: 4250 W - Dimensions (HxWxD): 88.8 x 59.4 x 56.1 - Aperture dimensions (HxWxD): 88 x 56 x 56 cm - EAN code: 3838942545795 - Product code: 253643 	<ul style="list-style-type: none"> - Connected load: 3850 W - Dimensions (HxWxD): 71.5 x 59.5 x 56.7 cm - Aperture dimensions (HxWxD): 71.7 x 56.2-56.5 x 56 cm - EAN code: 3838942545801 - Product code: 253645

A MULTI-TALENTED OVEN

Microwave ovens

A microwave oven is an indispensable tool in any modern kitchen. It allows preparing tasty and healthy food to support you in your life on the fast lane. Advanced technology makes sure the food is evenly thawed or heated. In addition to microwaves, these appliances also allow cooking with grill or hot air.

Thus, a built-in microwave oven can also be used as a conventional oven. Needless to say, they are equally impressive on the outside. They are designed to match the rest of Gorenje's built-in family of appliances.







BO 747 S30X



BCM 547 S12X & UWD 1400 X



Inverter Technology

Gentle treatment for tastier food

Because of Inverter technology the energy is evenly distributed instead of pulsating. As a result, the food retains its initial structure, including its vitamins, minerals and fibres. The advantages of the even energy distribution are particularly

welcome when reheating or defrosting, and when cooking liquids. The overall microwaving time is shorter, which lowers energy consumption as well.



Stirrer Technology

Trays of all sizes are welcome

The Stirrer technology permits a standard-size baking tray to be placed in a microwave oven. The oven's entire width is used, saying goodbye to conventional turntables and uneven heating. The advanced microwave distribution system heats the food uniformly across the entire volume. Stirrer technology is available in both combi and standard microwave ovens.



2
YEAR
WARRANTY

BCM 547 S12X
Built-in compact microwave oven

Superior Line

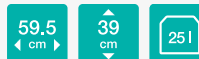
A
Energy
Class

- Colour: Stainless steel
- Handle colour: Stainless steel
- Control panel material: Glass and stainless steel
- Classic door hinge
- Microwave power: 2100 W
- Grill power: 2200 W

2
YEAR
WARRANTY

BM 251 S7XG
Built-in microwave oven

Superior Line



- Colour: Black
- Control panel material: Glass
- Door material: Glass
- Stainless steel oven interior
- Door opening: Left
- Door open type: Button
- Oven doors: Double-glazed oven door

Efficiency	<ul style="list-style-type: none"> - Combined microwave oven - 50 l - SuperSize baking area - HomeMADE® modelled on traditional wood-fired bread oven - MultiFlow 360° 	<ul style="list-style-type: none"> - Oven volume: 25 l - Microwave power: 900 W - Power of upper infra heater: 1100 W - Number of infra heaters: 1 - Convection: 2500 W - Technology of producing microwaves: Standard technology (HVT) - Type of microwave distribution: Rotating plate
Control	<ul style="list-style-type: none"> - Electronic control - Knob shape: Ergonomic push pull knobs - IconTouch 	<ul style="list-style-type: none"> - Electronic control - Input type Touch control - Type of display: LCD display
Heating types		<ul style="list-style-type: none"> - Combined heating: Microwaves / Grill / Hot air
Features	<ul style="list-style-type: none"> - Inverter technology - Stirrer technology - Illumination 	<ul style="list-style-type: none"> - AUTO menu - Time display
Equipment	<ul style="list-style-type: none"> - 1 shallow baking pan - 1 glass baking pan - 1 wire shelf - Wire oven guides 	<ul style="list-style-type: none"> - Rotating glass plate - Rotating grid
Safety	<ul style="list-style-type: none"> - Thermoelectric fuse - Dynamic oven cooling plus - DC+ - Triple glazing with a protective grid 	<ul style="list-style-type: none"> - Door safety bolt
EasyCleaning	<ul style="list-style-type: none"> - SilverMatte (easy clean enamel surface) - Smooth oven door surface 	
Technical data	<ul style="list-style-type: none"> - Energy consumption: 0.79 kWh (venting), 0.89 kWh (conventional) - Connected load: 3400 W - Product dimensions (HxWxD): 45.5 × 59.5 × 54.6 cm - Niche dimensions (HxWxD): 45 × 56 × 55 cm - EAN code: 3838942050725 - Product code: 498542 	<ul style="list-style-type: none"> - Connected load: 1450 W - Frame dimensions: 595 × 390 × 20 mm - Product dimensions (HxWxD): 38.8 × 59.5 × 47 cm - Niche dimensions (HxWxD): 38 × 56.7 × 55 cm - EAN code: 3838942001437 - Product code: 470736 - BM 251 S7XG comes with a European plug as standard

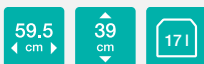


BM 171 A4XG Built-in microwave oven

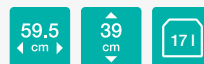
Advanced Line

BM 171 E2XG Built-in microwave oven



Essential Line



- Colour: Black
- Control panel material: Glass
- Door material: Glass
- Stainless steel oven interior
- Door opening: Left
- Door open type: Button
- Oven doors: Double-glazed oven door



- Colour: Black
- Control panel material: Glass
- Door material: Glass
- Stainless steel oven interior
- Door opening: Left
- Door open type: Button
- Oven doors: Double-glazed oven door

Efficiency	<ul style="list-style-type: none"> - Oven volume: 17 l - Microwave power: 700 W - Power of upper infra heater: 1000 W - Number of infra heaters: 1 - Technology of producing microwaves: Standard technology (HVT) - Type of microwave distribution: Rotating plate 	<ul style="list-style-type: none"> - Oven volume: 17 l - Microwave power: 700 W - Power of upper infra heater: 1000 W - Number of infra heaters: 1 - Technology of producing microwaves: Standard technology (HVT) - Type of microwave distribution: Rotating plate
Control	<ul style="list-style-type: none"> - Electronic control - Input type: Button - LCD display 	<ul style="list-style-type: none"> - Manual control - Input type: Button
Heating types	 <ul style="list-style-type: none"> - Combined heating: Microwaves + grill 	 <ul style="list-style-type: none"> - Combined heating: Microwaves + grill
Features	<ul style="list-style-type: none"> - AUTO menu 	
Equipment	<ul style="list-style-type: none"> - Rotating glass plate - Rotating grid 	<ul style="list-style-type: none"> - Rotating glass plate - Rotating grid
Safety	<ul style="list-style-type: none"> - Door safety bolt 	<ul style="list-style-type: none"> - Door safety bolt
EasyCleaning		
Technical data	<ul style="list-style-type: none"> - Connected load: 1050 W - Product dimensions (HxWxD): 38.8 × 59.5 × 32 cm - Niche dimensions (HxWxD): 38 × 56 - 56.8 × min. 32 cm - EAN code: 3838942001444 - Product code: 470738 - BM 171 A4XG comes with a European plug as standard 	<ul style="list-style-type: none"> - Connected load: 1050 W - Product dimensions (HxWxD): 38.8 × 59.5 × 32 cm - Niche dimensions (HxWxD): 38 × 56 - 56.8 × min. 32 cm - EAN code: 3838942000904 - Product code: 470348 - BM 171 E2XG comes with a European plug as standard



BM 171 E2X

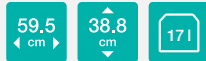
Built-in microwave oven

Essential Line

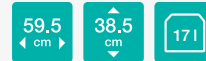
BM 2140 X

Built-in microwave oven



Classic Line



- Colour: Stainless steel
- Control panel material: Stainless steel
- Door material: Glass
- Stainless steel oven interior
- Door opening: Left
- Door open type: Button
- Oven doors: Double-glazed oven door



- Colour: Stainless steel
- Control panel material: Stainless steel
- Door material: Glass
- Stainless steel oven interior
- Door opening: Left
- Door open type: Button

Efficiency	<ul style="list-style-type: none"> - Oven volume: 17 l - Microwave power: 700 W - Power of upper infra heater: 1000 W - Number of infra heaters: 1 - Technology of producing microwaves: Standard technology (HVT) - Type of microwave distribution: Rotating plate 	<ul style="list-style-type: none"> - Oven volume: 17 l - Microwave power: 700 W
Control	<ul style="list-style-type: none"> - Manual control - Input type: Button 	<ul style="list-style-type: none"> - Electronic control // LogicalChoice - Input type: Button - LED display
Heating types	 <ul style="list-style-type: none"> - Combined heating: Microwaves + grill 	 <ul style="list-style-type: none"> - Microwaves
Features		<ul style="list-style-type: none"> - AUTO menu - Defrost function by weight
Equipment	<ul style="list-style-type: none"> - Rotating glass plate - Rotating grid 	<ul style="list-style-type: none"> - Rotating glass plate
Safety	<ul style="list-style-type: none"> - Door safety bolt 	<ul style="list-style-type: none"> - ChildLock
EasyCleaning		
Technical data	<ul style="list-style-type: none"> - Connected load: 1050 W - Product dimensions (HxWxD): 38.8 × 59.5 × 32 cm - Niche dimensions (HxWxD): 38 × 56 - 56.8 × min. 32 cm - EAN code: 3838942001208 - Product code: 470712 - BM 171 E2X comes with a European plug as standard 	<ul style="list-style-type: none"> - Connected load: 1200 W - Product dimensions (HxWxD): 38.5 × 59.5 × 34 cm - Niche dimensions (HxWxD): 38 × 56.8 × min. 34 cm - EAN code: 3838942823411 - Product code: 401941

NOTHING BUT PLEASURE

Coffee machines

Perfect coffee is a serious challenge. Coffee beans need to be ground carefully, water temperature and the pressure needs to be set with precision, milk has to be warm enough and foamed to perfection. Nevertheless, a coffee cup shouldn't be cold either. Gorenje coffee machines will make mornings more enjoyable. Thought out coffee making process will extract the optimal flavour and create the enchanting smell that will bring a perfect start of the day.







PerfectCoffee

Favourite flavour and amount

Flavour intensity of your coffee can be adjusted using the touch controls and the LCD display. Five flavours are available: very mild, mild, normal, strong, and extra strong. Moreover, the amount can also be set: small, medium, large. The combination

of flavour intensity and amount can be stored as a preset programme. Your favourite cup of coffee will thus be a touch of a symbol away. Alternatively, the appliance can be used to quickly dispense hot water for tea or other beverages.



GrindingLevels

From dark beans to aromatic coffee

Coffee tastes best when made with freshly ground coffee beans. Gorenje coffee machines offer 9 different grinding levels, from super fine to extra coarse. The leftover pulp is automatically dispensed.





CoffeeBean

Easy mornings

The coffee bean container is easily accessible as it can be pulled out. When needed ground coffee can also be used instead of beans. When the machine runs out of coffee beans, a warning will appear on the display.



EasyMilk

Creamy milk foam always at hand

Gorenje coffee machines feature a large milk container for cappuccino or latte, both can be prepared with desired amount of milk. A large milk container allows several cups of hot milk to be made without the need to refill. It is easily removable and can be simply pulled out and stored in the refrigerator until the next time you need it.



AutoCappuccino

From cappuccino to latte, in a second

The AutoCappuccino feature forces the water through ground coffee beans in a way that extracts the full aroma and creates truly genuine flavour. The desired level of milk foam can be set.



HeatingDrawer

Staying perfect for the latecomers

The heating drawer can be positioned underneath a coffee machine or a combined microwave oven. The drawer can be used to heat up tableware, reheat food, or keep the food and beverages deliciously warm for any given time.



CMA 9200 UX

Automatic built-in coffee machine



- Colour: Stainless steel

Efficiency	- Brewing / steam heating time: 2 min
Control	- Touch control - LCD display - Timer function - Coffee preparation mode: Bean and ground
Features	- Autocappuccino function - Number of different shots of espresso coffee: 3 - Own coffee setting according to the recipe - Possibility of 2 simultaneous brewed cups - Milk frothing option
EasyCleaning	- Descaling programme
Equipment	- Lighting - Beans container: 200 g - Water container capacity: 1,8 l - Removable milk container - Tea brewing option
Safety	- Automatic shut down
Technical data	- Container water intake - Pump pressure: 15 bar - Product dimensions (HxWxD): 45.5 × 59.5 × 38.1 cm - Niche dimensions (HxWxD): 45 × 56 × 55 cm - EAN code: 3838942684388 - Product code: 465211 - CMA 9200 UX comes with a European plus as standard



UWD 3000 X Warming drawer



- Colour: Stainless steel



UWD 1400 X Warming drawer



- Colour: Stainless steel

Efficiency	<ul style="list-style-type: none"> - Number of servings: 12 standard place settings or 160 coffee cups or 80 tea cups 	<ul style="list-style-type: none"> - Number of servings: Set for 6 persons or 20 dishes in diameter 28 cm or 80 coffee cups or 40 tea cups - Capacity: 6 servings
Features	<ul style="list-style-type: none"> - Air vented circulation - Illuminated power button - Temperature between 30-85 °C - Telescopic pull-out mechanism - Cold front 	<ul style="list-style-type: none"> - Air vented circulation - Illuminated power button - Temperature between 30-85 °C - Telescopic pull-out mechanism - Cold front
Technical data	<ul style="list-style-type: none"> - Connected load: 417 W - Product dimensions (HxWxD): 28.6 × 59.5 × 56.5 cm - Niche dimensions (HxWxD): 29.5 × 56 × 55 cm - EAN code: 3838942965401 - Product code: 439340 	<ul style="list-style-type: none"> - Connected load: 417 W - Product dimensions (HxWxD): 13.1 × 59.5 × 56.5 cm - Niche dimensions (HxWxD): 14 × 56 × 55 cm - EAN code: 3838942998195 - Product code: 452090

PERFECT TASTE

Hobs

We all want to cook like professionals, impress our guests and serve healthy meals to our families. Usually, this means special knowledge or professional equipment. Gorenje hobs are designed as easy-to-use tools that enable everyone to cook with great results. Induction hobs, ceramic hobs and gas hobs are all equipped with features that make cooking effortless.





IQcook induction hob

Smart cooking

Thanks to the cooperation between IQ sensor on the lid and the sensor inside the induction bottom of the IQcook, you are able to cook completely automatically. Wireless communication between the pot and the hob actually controls the procedure, providing fully automatic cooking on one, two or all four cooking zones.



80%
faster

40%
energy saving

100%
healthy meals

100%
sensor controlled

100%
automatic cooking



IQsteam

Vitamins stay in

Cooking with a small quantity of water preserves vitamins, minerals and natural colour of vegetables. Believe it or not, all it takes to prepare 1kg of vegetables is 50ml of water.



IQpro

A cooking marathon, made incredibly easy

IQpro offers a simple way to prepare dishes that require longer cooking times with slow warming up or cooking at a lower, constant temperature. Ideal for cooking dishes such as goulash.



IQpoach

Exactly the right temperature

IQpoach keeps the temperature between 71 and 85°C and prevents overcooking. Food retains its natural colour, juices and flavour. The specific and constant temperature is ideal for recipes such as poaching an egg.



IQgrill

Perfectly grilled steak

IQcook makes grilling thrillingly simple, even with very little or no oil. It prevents food from burning with 3 different levels of crispness. A simple way to the tastiest and healthiest barbecue ever.



IQboil

No drop leaves the pan

Fast water boiling and constant temperature maintaining can happen without a drop being boiled over. Feel free to watch TV and relax, because your kitchen is safe and sound.

Induction hobs

Induction hobs heat up twice as fast as HiLight hobs, which makes them comparatively more economical and safe. An induction hob only heats the bottom of the pan while the remaining hob surface stays cool and always safe to touch. Temperature is adjusted instantly, by a simple touch, limiting the danger of boiling over. With such a hob melted chocolate, sophisticated sauces and other temperature-sensitive masterpieces become just a simple task.

Fast and Economical

Time required to heat 2 l of water at 15° C to 90° C.

Gorenje induction with PowerBoost Supreme function	4.2 min	
Gorenje induction with PowerBoost function	5.7 min	←
Induction	7.1 min	←
Ceramic	10 min	



PowerBoost Supreme

When in a hurry, don't worry

PowerBoost Supreme provides extreme heat intensity to the pot and significantly cuts waiting time. It takes just 4.2 minutes to boil 2l of water, which is extremely time-efficient. This function is found in some Superior models of Gorenje induction hobs.



PowerZone

Quickies

This function will boost the HiLight cooking zone power by 25%, allowing you to cook much faster while using less power.



XpandZone

An XXL surface,
for super large pots and pans

XpandZone allows cooking on almost the entire surface of the induction hob. When the XpandZone mode is activated, the cooking zones on the left or right side of the hob are combined into one extra-large cooking zone. Combined cooking zones allow more space and freedom for cooking, space for larger cookware, or space for several smaller pots or pans that can be placed anywhere on the combined cooking zone.



BridgeZone

A simple plan for super-sized pots

The induction hob with two connecting zones simplifies cooking in large-sized pots. Two separate cooking zones are bridged to form one with just a simple touch. Perfect for preparing bigger pieces of food and sides simultaneously.



FishZone

An oval cooking zone, perfect for wider pots

Induction and HiLight hobs have an expanded zone called a FishZone. When turned on, the traditional round cooking zone turns into a larger and oval surface that is especially suitable for wider pots.



BoilControl

Automatically adjusts the operating power. After initially operating at maximum power, the cooking zone maintains the desired temperature to prevent boiling over or overcooking.



Timer

The countdown timer can be set for up to 99 minutes. If the optimum cooking time for a particular dish is known from experience, the timer can be set and the hob will switch off automatically when completed. A beep will signal that the food is ready.



Stop&Go

The Stop&Go function stops the cooking and continues with the same settings after being re-activated.



ChildLock

ChildLock option is excellent for those who have children at home. Leaving them in a kitchen alone has never been safer, since this option prevents them from resetting any parameters.



StayWarm

The StayWarm function keeps food at a constant temperature of 70°C until the time is right to serve the meal. The food retains its original flavour and temperature until it is served.



SoftMelt

The SoftMelt function gently melts chocolate or butter at a constant temperature of 42°C, thereby creating perfect conditions for melting, without burning.

Hob edges



SC - Bevelled hob edge



CSC - Chamfered front hob edge



X - Inox frame



USC - Chamfered front and both sides



AC - Chamfered on all hob edges

Gas hobs

Innovatively designed Gorenje gas hob burners optimize the flame to allow faster cooking and ultimate efficiency of the use of gas. Air and gas mixture is closer to optimum than in conventional burners used to date, and the use of gas and control of flame are considerably improved.



High Efficiency Burners

More heat for gas

Significantly improved gas burners provide up to 10% more efficient gas consumption.



WokBurner

Genuine Asian taste, at home

The wok burners reach a high heat very quickly, making Asian style cuisine and meals in big pots easy.



Coffee Reductor

Made for perfect morning rituals

New design features of Gorenje gas hobs include a highly practical coffee reductor, ideal for small diameter pots.

**Could be purchased separately.*




IT 1141 AC

Induction hob

Superior Line



- Colour: Black




IT 984 USC

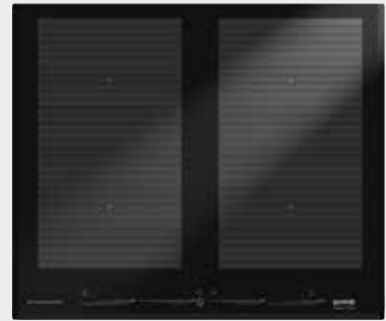
Induction hob

Superior Line



- Colour: Black

Control	<ul style="list-style-type: none"> - SmartControl - Timer function 	<ul style="list-style-type: none"> - SmartControl - Timer function
Features	<ul style="list-style-type: none"> - BoilControl. prevents pots from boiling over - StopGo function - StayWarm function - SoftMelt function - PowerBoost Supreme - Silent operation SuperSilent 	<ul style="list-style-type: none"> - BoilControl. prevents pots from boiling over - StopGo function - StayWarm function - SoftMelt function - PowerBoost Supreme - Silent operation SuperSilent
Cooking surface	<ul style="list-style-type: none"> - 4 induction heating zones - Left front: Ø 21 cm, 2.3/3.7 kW - Right front: Ø 21 cm, 2.3/3.7 kW - Middle left: Ø 18 cm, 1.85/3 kW - Middle right: Ø 18 cm, 1.85/3 kW 	<ul style="list-style-type: none"> - 5 induction heating zones - Left front: Ø 18 cm, 1.85/3 kW - Middle front: Ø 18 cm, 1.85/3 kW - Left behind: Ø 18 cm, 1.85/3 kW - Middle behind: Ø 18 cm, 1.85/3 kW - Right: Ø 26 cm, 2.6/3.7 kW
Safety and durability	<ul style="list-style-type: none"> - Residual heat indicator - Safety control hob lock - ChildLock 	<ul style="list-style-type: none"> - Residual heat indicator - Safety control hob lock - ChildLock
Technical data	<ul style="list-style-type: none"> - Connected load: 7400 W - Product dimensions (HxWxD): 5.7 × 110 × 41 cm - Niche dimensions (HxWxD): 5.3 × 107 × 38 cm - EAN code: 3838942623974 - Product code: 280133 	<ul style="list-style-type: none"> - Connected load: 11100 W - Product dimensions (HxWxD): 5.3 × 90 × 51 cm - Niche dimensions (HxWxD): 4.8 × 86 × 49 cm - EAN code: 3838942862212 - Product code: 464862



IS 777 USC
Induction hob

Superior Line

IS 677 USC
Induction hob

Superior Line

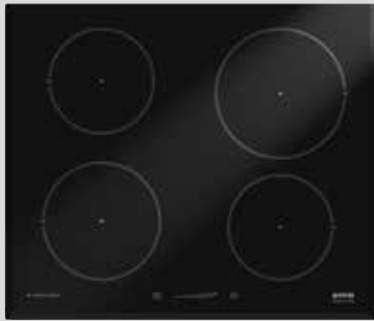


- Colour: Black



- Colour: Black

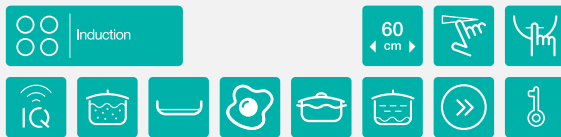
Control	- SmartControl - Timer function	- SmartControl - Timer function
Features	- BoilControl. prevents pots from boiling over - MultiSlider - StayWarm function - PowerBoost Supreme - XpandZone - Silent operation SuperSilent	- BoilControl. prevents pots from boiling over - MultiSlider - StayWarm function - PowerBoost Supreme - XpandZone - Silent operation SuperSilent
Cooking surface	- 4 induction heating zones - Left front: Ø 19×22 cm, 2.3/3.7 kW - Right front: Ø 19×22 cm, 2.3/3.7 kW - Left behind: Ø 19×22 cm, 2.3/3.7 kW - Right behind: Ø 19×22 cm, 2.3/3.7 kW	- 4 induction heating zones - Left front: Ø 19×22 cm, 2.3/3.7 kW - Right front: Ø 19×22 cm, 2.3/3.7 kW - Left behind: Ø 19×22 cm, 2.3/3.7 kW - Right behind: Ø 19×22 cm, 2.3/3.7 kW
Safety and durability	- Residual heat indicator - ChildLock	- Residual heat indicator - ChildLock
Technical data	- Connected load: 7400 W - Product dimensions (HxWxD): 5.3 × 75 × 51 cm - Niche dimensions (HxWxD): 4.8 × 56 × 49 cm - EAN code: 3838942928307 - Product code: 464639	- Connected load: 7400 W - Product dimensions (HxWxD): 5.3 × 60 × 51 cm - Niche dimensions (HxWxD): 4.8 × 56 × 49 cm - EAN code: 3838942862113 - Product code: 464863

IQ 634 USC

Induction hob

Advanced Line



- Colour: Black

Control

- SliderTouch. control at your fingertips
- Timer function

Features

- 2 x IQcook sensors
- PowerBoost function
- AllBoost
- Silent operation SuperSilent
- IQboil. cooking with a large amount of water
- IQgrill. grilling mode
- IQpoach
- IQpro. slow cooking
- IQsteam. steam cooking

Cooking surface

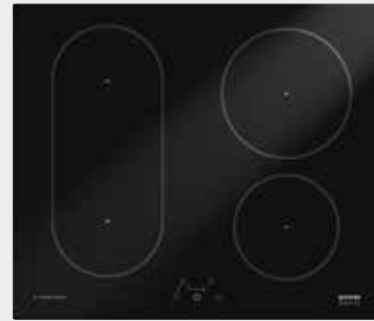
- 4 induction heating zones
- Left front: Ø 18.5 cm, 1.4/2 kW
- Right front: Ø 16.5 cm, 1.2/1.4 kW
- Left behind: Ø 16.5 cm, 1.2/1.4 kW
- Right behind: Ø 20.5 cm, 2/2.3 kW

Safety and durability

- Residual heat indicator
- ChildLock

Technical data

- Connected load: 7100 W
- Product dimensions (HxWxD): 6.1 × 60 × 51 cm
- Niche dimensions (HxWxD): 5.6 × 56 × 49 cm
- EAN code: 3838942652783
- Product code: 464533

IT 635 SC

Induction hob

Advanced Line



- Colour: Black

- Touch control
- Timer function

- PowerBoost function
- AllBoost
- BridgeZone
- Silent operation SuperSilent

- 4 induction heating zones
- Left front: Ø 18.5 cm, 1.4/2 kW
- Right front: Ø 16.5 cm, 1.2/1.4 kW
- Left behind: Ø 18.5 cm, 1.2/1.4 kW
- Right behind: Ø 20.5 cm, 2/2.3 kW

- Residual heat indicator
- ChildLock

- Connected load: 7100 W
- Product dimensions (HxWxD): 6.1 × 59.5 × 51 cm
- Niche dimensions (HxWxD): 5.6 × 56 × 49 cm
- EAN code: 3838942719530
- Product code: 463047

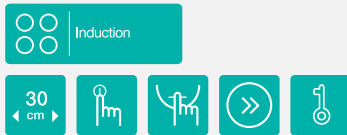


IT 332 CSC
Induction hob

Advanced Line

IT 734 CSC
Induction hob

Essential Line



- Colour: Black



- Colour: Black

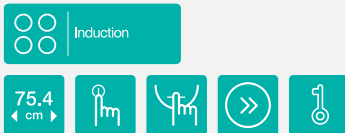
Control	<ul style="list-style-type: none"> - Touch control - Timer function 	<ul style="list-style-type: none"> - Touch control - Timer function
Features	<ul style="list-style-type: none"> - PowerBoost function - Silent operation SuperSilent 	<ul style="list-style-type: none"> - PowerBoost function - AllBoost - Silent operation SuperSilent
Cooking surface	<ul style="list-style-type: none"> - 2 induction heating zones - Front: Ø 16 cm, 1.4 kW - Behind: Ø 20 cm, 2.3/3 kW 	<ul style="list-style-type: none"> - 4 induction heating zones - Left front: Ø 18.5 cm, 1.4/2 kW - Right front: Ø 16.5 cm, 1.2/1.4 kW - Left behind: Ø 16.5 cm, 1.2/1.4 kW - Right behind: Ø 20.5 cm, 2/2.3 kW
Safety and durability	<ul style="list-style-type: none"> - Residual heat indicator - Safety control hob lock - ChildLock 	<ul style="list-style-type: none"> - Residual heat indicator - ChildLock
Technical data	<ul style="list-style-type: none"> - Connected load: 3650 W - Product dimensions (HxWxD): 7.2 × 30 × 51 cm - Niche dimensions (HxWxD): 6.8 × 27.5 × 49 cm - EAN code: 3838942488092 - Product code: 344598 	<ul style="list-style-type: none"> - Connected load: 7100 W - Product dimensions (HxWxD): 6.1 × 75 × 51 cm - Niche dimensions (HxWxD): 5.6 × 71 × 49 cm - EAN code: 3838942654282 - Product code: 464632

2
YEAR
WARRANTY



IT 734 X Induction hob

Essential Line



- Colour: Black

Control

- Touch control
- Timer function

Features

- PowerBoost function
- AllBoost
- Silent operation SuperSilent

Cooking surface

- 4 induction heating zones
- Left front: Ø 18.5 cm, 1.4/2 kW
- Right front: Ø 16.5 cm, 1.2/1.4 kW
- Left behind: Ø 16.5 cm, 1.2/1.4 kW
- Right behind: Ø 20.5 cm, 2/2.3 kW

Safety and durability

- Residual heat indicator
- ChildLock

Technical data

- Connected load: 7100 W
- Product dimensions (HxWxD): 6.2 × 75.4 × 51.4 cm
- Niche dimensions (HxWxD): 5.6 × 71 × 49 cm
- EAN code: 3838942654268
- Product code: 464560

2
YEAR
WARRANTY



IT 614 CSC Induction hob

Essential Line



- Colour: Black

- Touch control
- Timer function

- PowerBoost function
- AllBoost
- Silent operation SuperSilent

- 4 induction heating zones
- Left front: Ø 18.5 cm, 1.4/1.9 kW
- Right front: Ø 16.5 cm, 1.2/1.4 kW
- Left behind: Ø 16.5 cm, 1.2/1.4 kW
- Right behind: Ø 20.5 cm, 1.9/2.1 kW

- Residual heat indicator
- ChildLock

- Connected load: 6800 W
- Product dimensions (HxWxD): 5.5 × 59.5 × 51 cm
- Niche dimensions (HxWxD): 5 × 56 × 48 cm
- EAN code: 3838942719332
- Product code: 463046



IT 614 X Induction hob

Essential Line



- Colour: Black

Control	<ul style="list-style-type: none"> - Touch control - Timer function
Features	<ul style="list-style-type: none"> - PowerBoost function - AllBoost - Silent operation SuperSilent
Cooking surface	<ul style="list-style-type: none"> - 4 induction heating zones - Left front: Ø 18.5 cm, 1.4/1.9 kW - Right front: Ø 16.5 cm, 1.2/1.4 kW - Left behind: Ø 16.5 cm, 1.2/1.4 kW - Right behind: Ø 20.5 cm, 1.9/2.1 kW
Safety and durability	<ul style="list-style-type: none"> - Residual heat indicator - ChildLock
Technical data	<ul style="list-style-type: none"> - Connected load: 6800 W - Product dimensions (HxWxD): 5.7 × 60 × 51.5 cm - Niche dimensions (HxWxD): 5 × 56 × 49 cm - EAN code: 3838942719141 - Product code: 463044




ECS 880 USC

Ceramic hob

Advanced Line



- Colour: Black

Control

- SliderTouch. control at your fingertips
- Timer function

Features

- BoilControl. prevents pots from boiling over
- StayWarm function
- FishZone

Cooking surface

- 4 HiLight heating zones + 1 resistance heater
- Left front: Triple cooking zone 21/17.5/12 cm, 2.3 kW
- Right front: Ø 14.5 cm, 1.2 kW
- Left behind: Ø 14.5 cm, 1.2 kW
- Middle behind: Resistance heater 29×16 cm, 0.1 kW
- Right behind: Ø 26.5×17 cm, 2.4 kW

Safety and durability

- Residual indicator
- Safety control hob lock
- ChildLock

Technical data

- Connected load: 7200 W
- Product dimensions (HxWxD): 5.4 × 85 × 51 cm
- Niche dimensions (HxWxD): 5 × 81 × 49 cm
- EAN code: 3838942654466
- Product code: 464636




ECS 780 USC

Ceramic hob

Advanced Line



- Colour: Black

- SliderTouch. control at your fingertips
- Timer function

- BoilControl. prevents pots from boiling over
- StayWarm function
- FishZone

- 2 HiLight cooking zones + 1 triple HiLight cooking zone + 1 oval HiLight cooking zone
- Left front: Triple cooking zone 21/17.5/12 cm, 2.3 kW
- Right front: Ø 14.5 cm, 1.2 kW
- Left behind: Ø 14.5 cm, 1.2 kW
- Right behind: Ø 26.5×17 cm, 2.4 kW

- Residual heat indicator
- Safety control hob lock
- ChildLock

- Connected load: 7100 W
- Product dimensions (HxWxD): 5.5 × 75 × 51 cm
- Niche dimensions (HxWxD): 5 × 71 × 49 cm
- EAN code: 3838942654459
- Product code: 464635



ECS 680 USC
Ceramic hob

Advanced Line



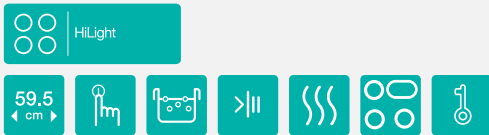
- Colour: Black

Control	<ul style="list-style-type: none"> - SliderTouch. control at your fingertips - Timer function
Features	<ul style="list-style-type: none"> - BoilControl. prevents pots from boiling over - StayWarm function - FishZone
Cooking surface	<ul style="list-style-type: none"> - 2 HiLight cooking zones + 1 triple HiLight cooking zone + 1 oval HiLight cooking zone - Left front: Triple cooking zone 21/17.5/12 cm, 2.3 kW - Right front: Ø 14.5 cm, 1.2 kW - Left behind: Ø 14.5 cm, 1.2 kW - Right behind: Ø 26.5×17 cm, 2.4 kW
Safety and durability	<ul style="list-style-type: none"> - Residual heat indicator - Safety control hob lock - ChildLock
Technical data	<ul style="list-style-type: none"> - Connected load: 7100 W - Product dimensions (HxWxD): 5.6 × 60 × 51 cm - Niche dimensions (HxWxD): 5 × 56 × 49 cm - EAN code: 3838942654183 - Product code: 464519




ECT 693 CSC
Ceramic hob

Essential Line

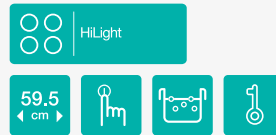


- Colour: Black




ECT 610 SC
Ceramic hob

Essential Line



- Colour: Black

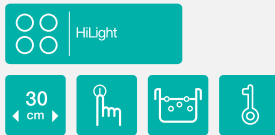
Control	- Touch control - Timer function	- Touch control
Features	- BoilControl. prevents pots from boiling over - StopGo function - StayWarm function - FishZone	- BoilControl. prevents pots from boiling over
Cooking surface	- 3 HiLight heating zones + 1 oval HiLight cooking zone - Left front: Ø 21 cm, 2.1/3 kW - Right front: Ø 14.5 cm, 1.2 kW - Left behind: Ø 14.5 cm, 1.2 kW - Right behind: Ø 26.5×17 cm, 2.4 kW	- 4 HiLight heating zones - Left front: Ø 21 cm, 2.3 kW - Right front: Ø 14.5 cm, 1.2 kW - Left behind: Ø 14.5 cm, 1.2 kW - Right behind: Ø 18 cm, 1.8 kW
Safety and durability	- Residual heat indicator - Safety control hob lock - ChildLock	- Residual heat indicator - Safety control hob lock - ChildLock
Technical data	- Connected load: 6600 W - Product dimensions (HxWxD): 5.6 × 59.5 × 51 cm - Niche dimensions (HxWxD): 5 × 56 × 49 cm - EAN code: 3838942719486 - Product code: 463053	- Connected load: 6500 W - Product dimensions (HxWxD): 5.6 × 59.5 × 51 cm - Niche dimensions (HxWxD): 5 × 56 × 49 cm - EAN code: 3838942654145 - Product code: 464537



ECT 330 CSC

Ceramic hob

Essential Line



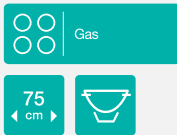
- Colour: Black

Control	- Touch control
Features	- BoilControl. prevents pots from boiling over
Cooking surface	- 1 HiLight heating zone + 1 HiLight two ring heating zone - Front: Ø two ring 18/12 cm, 1.7 kW - Behind: Ø 14.5 cm, 1.2 kW
Safety and durability	- Safety and durability - Residual heat indicator - ChildLock
Technical data	- Connected load: 2900 W - Product dimensions (HxWxD): 6.6 × 30 × 51 cm - Niche dimensions (HxWxD): 6.2 × 27.5 × 49 cm - EAN code: 3838942785153 - Product code: 465888




GW 761 UX

Gas hob

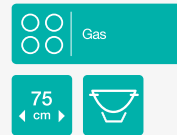


- Colour: Stainless steel




GTW 761 UB

Gas on tempered glass



- Colour: Black

Control	- Knob shape: Ergonomic knobs	- Knob shape: Ergonomic knobs
Features	- Triple burner	- Triple burner
Cooking surface	<ul style="list-style-type: none"> - Single-handed ignition device - 1 auxiliary burner + 1 large burner + 2 normal burners + 1 wok burner - Left front: Ø 13.44 cm, 3.8 kW - Middle front: Ø 4.3 cm, 1 kW - Right front: Ø 6.7 cm, 1.75 kW - Middle behind: Ø 6.7 cm, 1.75 kW - Right behind: Ø 9.7 cm, 3 kW - Type of pan support: Cast iron grid 	<ul style="list-style-type: none"> - Single-handed ignition device - 1 auxiliary burner + 1 large burner + 2 normal burners + 1 wok burner - Left front: Ø 13.44 cm, 3.8 kW - Middle front: Ø 4.3 cm, 1 kW - Right front: Ø 6.7 cm, 1.75 kW - Middle behind: Ø 6.7 cm, 1.75 kW - Right behind: Ø 9.7 cm, 3 kW - Type of pan support: Cast iron grid
Safety and durability	- Safety function	- Safety function
Technical data	<ul style="list-style-type: none"> - Product dimensions (HxWxD): 9.6 × 75 × 51 cm - Niche dimensions (HxWxD): 5 × 72 × 48 cm - EAN code: 3838942213168 - Product code: 453969 	<ul style="list-style-type: none"> - Product dimensions (HxWxD): 9.6 × 75 × 51 cm - Niche dimensions (HxWxD): 4 × 72 × 48 cm - EAN code: 3838942928741 - Product code: 426158



GW 6N41 IXUK
Gas hob

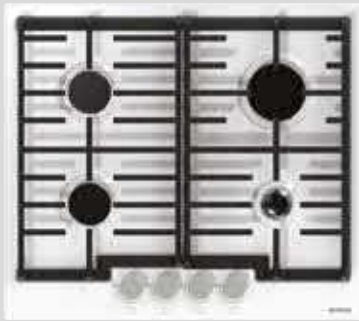
G 6N41 IXUK



- Colour: Stainless steel

- Colour: Stainless steel

Control	- Knob shape: Ergonomic knobs	- Knob shape: Ergonomic knobs
Features	- Double burner	
Cooking surface	<ul style="list-style-type: none"> - Single-handed ignition device - 1 auxiliary burner + 1 double burner + 2 normal burners - Left front: Ø 6.9 cm, 1.9 kW - Right front: Ø 4.4 cm, 1 kW - Left behind: Ø 6.9 cm, 1.9 kW - Right behind: Ø 13.2 cm, 3.5 kW - Type of pan support: Cast iron grid 	<ul style="list-style-type: none"> - Single-handed ignition device - 1 auxiliary burner + 1 large burner + 2 standard burners - Left front: Ø 6.9 cm, 1.9 kW - Right front: Ø 4.4 cm, 1 kW - Left behind: Ø 6.9 cm, 1.9 kW - Right behind: Ø 9.4 cm, 3 kW - Type of pan support: Cast iron grid
Safety and durability	- Safety function	- Safety function
Technical data	<ul style="list-style-type: none"> - Product dimensions (HxWxD): 10.7 × 58 × 51 cm - Niche dimensions (HxWxD): 4.7 × 56 × 49 cm - EAN code: 3838942304804 - Product code: 454379 	<ul style="list-style-type: none"> - Product dimensions (HxWxD): 10.7 × 58 × 51 cm - Niche dimensions (HxWxD): 4.5 × 56 × 49 cm - EAN code: 3838942306013 - Product code: 454378



G 6N41 IWUK
Gas hob



58
cm

- Colour: White

Control

- Knob shape: Ergonomic knobs

Cooking surface

- Single-handed ignition device
- 1 auxiliary burner + 1 large burner + 2 standard burners
- Left front: Ø 6.9 cm, 1.9 kW
- Right front: Ø 4.4 cm, 1 kW
- Left behind: Ø 6.9 cm, 1.9 kW
- Right behind: Ø 9.4 cm, 3 kW
- Type of pan support: Cast iron grid

Safety and durability

- Safety function

Technical data

- Product dimensions (HxWxD): 10.7 × 58 × 51 cm
- Niche dimensions (HxWxD): 4.5 × 56 × 49 cm
- EAN code: 3838942053658
- Product code: 499907



G 6N41 IBUK
Gas hob



58
cm

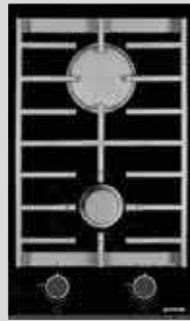
- Colour: Black

- Knob shape: Ergonomic knobs

- Single-handed ignition device
- 1 auxiliary burner + 1 large burner + 2 standard burners
- Left front: Ø 6.9 cm, 1.9 kW
- Right front: Ø 4.4 cm, 1 kW
- Left behind: Ø 6.9 cm, 1.9 kW
- Right behind: Ø 9.4 cm, 3 kW
- Type of pan support: Cast iron grid

- Safety function

- Product dimensions (HxWxD): 10.7 × 58 × 51 cm
- Niche dimensions (HxWxD): 4.5 × 56 × 49 cm
- EAN code: 3838942053641
- Product code: 499906



GC 341 UC
Gas on glass ceramic

G 340 UX
Gas hob



30
cm

- Colour: Black



28.8
cm

- Colour: Stainless steel

Control	- Knob shape: Ergonomic knobs	- Knob shape: Ergonomic knobs
Cooking surface	<ul style="list-style-type: none"> - Single-handed ignition device - 1 auxiliary burner + 1 large burner - Front: Ø 5.5 cm, 1 kW - Behind: Ø 10 cm, 3 kW - Type of pan support: Cast iron grid 	<ul style="list-style-type: none"> - Single-handed ignition device - 1 auxiliary burner + 1 large burner - Front: Ø 4.3 cm, 1 kW. - Behind: Ø 9.7 cm, 3 kW - Type of pan support: Enameled
Safety and durability	- Safety function	- Safety function
Technical data	<ul style="list-style-type: none"> - Product dimensions (HxWxD): 10.8 × 30 × 51 cm - Niche dimensions (HxWxD): 6.4 × 27.5 × 49 cm - EAN code: 3838942330490 - Product code: 344592 	<ul style="list-style-type: none"> - Product dimensions (HxWxD): 5.5 × 28.8 × 51 cm - Niche dimensions (HxWxD): 4.5 × 27 × 48 cm - EAN code: 3838942928611 - Product code: 426146

A HELPING HAND FROM ABOVE

Hoods

Gorenje hoods bring two in one as they are technologically advanced tools in the form of superbly designed objects. They are a perfect companion to a modern lifestyle – they contribute to a healthier living environment, efficiently remove bad smells and work silently and reliably. Gorenje hoods are made of top quality materials and offer the best user experience whilst cooking, cleaning or simply just watching them.







AdaptAir Technology

No smell. Just air.

AdaptAir is a unique technology that allows fully even air suction above the entire cooking zone surface. This is made possible by a special combination of an aluminium filter, a special foam, and flaps that open and close depending on the suction power, this considerably reducing the noise level. Thus, the air is free from steam, odours, and impurities.



AIRFLOW (m ³ /h)	550 m ³ /h / AdaptAir	650 m ³ /h / AdaptAir	700 m ³ /h / AdaptAir	800 m ³ /h / AdaptAir
ENERGY CLASS	C	C	B	A
NOISE (dB)	70	65	62	60





Filters

Benefits of polyurethane foam

The special foam in the filters eliminates up to 98% of all grease and other impurities. This makes the air in the kitchen considerably fresher and cleaner. At the same time, the hood maintains class A absorption efficiency.



AdaptTech

Automatic fan operation

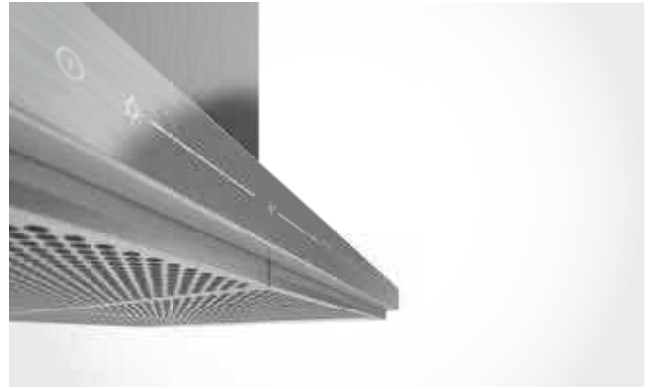
The sensor detects the level of impurities or steam, humidity and gases. The hood automatically adjusts the fan speed accordingly or even completely stops the fan when it is no longer needed.



Timer and refresh

Always fresh and on time

Gorenje hoods can be automatically switched off in 10, 20 or 30 minutes. The refresh function is activated every hour and automatically starts refreshing the air for five minutes.



SliderTouch

Easy control

A special innovative slider enables easy and instant changes between different power levels and lighting intensities.



P. A. S. System

Smart, targeted air extraction with less noise

The innovative perimetric air suction system redirects air extraction from the central part to the outer edges of the hood. This approach optimises energy consumption, reduces noise and makes air extraction considerably more efficient.



TouchFree coating

Shiny and fingerprint-free finish

All stainless steel surfaces are coated with a special TouchFree film that prevents fingerprints markings, leaving the surface always shiny and making cleaning much easier.




IHT 961 S2X UK

Island cooker hood

Superior Line

A Energy Class



- Venting with air extraction or recirculation
- Material of housing/chimney: Stainless steel / Stainless steel
- Colour of housing/chimney: Stainless steel / Stainless steel

Efficiency	<ul style="list-style-type: none"> - Maximum extraction rate by extraction operation: 400 m³/h - Venting tube diameter: 15 cm
The capacity of ventilator	<ul style="list-style-type: none"> - Air flow by extraction version, step 1: 200 m³/h - Air flow by extraction version, step 2: 288 m³/h - Air flow by extraction version, step 3: 400 m³/h
Control	<ul style="list-style-type: none"> - AdaptTech venting: Memorizing intelligent system - Electronic control - Control setting: Touch control on metal - Timer function - Number of speed positions: 3
Features	<ul style="list-style-type: none"> - TouchFree Inox - Constant ventilation ReRefresh - Lamp type: Led strip - Number of lights: 2 - Power of lights: 14 W - Airflow boost position (PowerBoost 1): 619 m³/h - Number of PowerBoost functions: 2
Equipment	<ul style="list-style-type: none"> - Filter material: AdaptAir - Grease filter indicator - Number of motors: 1 - Motor type: Capacitor motor - No return airflow flap: 150 mm
Technical data	<ul style="list-style-type: none"> - Noise level (max.): 62 dB(A)re 1 pW - Product dimensions (WxD): 89.8 × 61.1 cm - Height: 59 mm - Min. height of the chimney: 797 mm - Max. height of the chimney: 1141 mm - Product dimensions (HxWxD): 5.9 × 89.8 × 61.1 cm - EAN code: 3838942047633 - Product code: 497748



WHI 961 S2XUK Wall mounted cooker hood

Superior Line

WHI 661 S2XUK Wall mounted cooker hood

Superior Line



- Venting with air extraction or recirculation
- Material of housing/chimney: Stainless steel / Stainless steel
- Colour of housing/chimney: Stainless steel / Stainless steel



- Venting with air extraction or recirculation
- Material of housing/chimney: Stainless steel / Stainless steel
- Colour of housing/chimney: Stainless steel / Stainless steel

Efficiency	<ul style="list-style-type: none"> - Maximum extraction rate by extraction operation: 448 m³/h - Venting tube diameter 15 cm 	<ul style="list-style-type: none"> - Maximum extraction rate by extraction operation: 448 m³/h - Venting tube diameter: 15 cm
The capacity of ventilator	<ul style="list-style-type: none"> - Air flow by extraction version, step 1: 250 m³/h - Air flow by extraction version, step 2: 320 m³/h - Air flow by extraction version, step 3: 448 m³/h 	<ul style="list-style-type: none"> - Air flow by extraction version, step 1: 250 m³/h - Air flow by extraction version, step 2: 320 m³/h - Air flow by extraction version, step 3: 448 m³/h
Control	<ul style="list-style-type: none"> - AdaptTech venting: Memorizing intelligent system - Electronic control - Control setting: Touch control on metal - Timer function - Number of speed positions: 3 	<ul style="list-style-type: none"> - AdaptTech venting: Memorizing intelligent system - Electronic control - Control setting: Touch control on metal - Timer function - Number of speed positions: 3
Features	<ul style="list-style-type: none"> - TouchFree Inox - Constant ventilation ReFresh - Lamp type: Led strip - Number of lights: 1 - Power of lights: 7 W - Airflow boost position (PowerBoost 1): 641 m³/h - Number of PowerBoost functions: 2 	<ul style="list-style-type: none"> - TouchFree Inox - Constant ventilation ReRefresh - Lamp type: Led strip - Number of lights: 1 - Power of lights: 7 W - Airflow boost position (PowerBoost 1): 641 m³/h - Number of PowerBoost functions: 2
Equipment	<ul style="list-style-type: none"> - Filter material: AdaptAir - Grease filter indicator - Number of motors: 1 - Motor type: Capacitor motor - No return airflow flap: 150 mm 	<ul style="list-style-type: none"> - Filter material: AdaptAir - Grease filter indicator - Number of motors: 1 - Motor type: Capacitor motor - No return airflow flap: 150 mm
Technical data	<ul style="list-style-type: none"> - Noise level (max.): 61 dB(A)re 1 pW - Product dimensions (WxD): 89.8 × 37.1 cm - Height: 416 mm - Min. height of the chimney: 575 mm - Max. height of the chimney: 1105 mm - Product dimensions (HxWxD): 41.6 × 89.8 × 37.1 cm - EAN code: 3838942041426 - Product code: 494727 	<ul style="list-style-type: none"> - Noise level (max.): 61 dB(A)re 1 pW - Product dimensions (WxD): 59.5 × 37.1 cm - Height: 416 mm - Min. height of the chimney: 575 mm - Max. height of the chimney: 1105 mm - Product dimensions (HxWxD): 41.6 × 59.5 × 37.1 cm - EAN code: 3838942041310 - Product code: 494726

2
2 YEAR
GUARANTEE

WHI 951 S1XGBUK
Wall mounted cooker hood

Superior Line

2
2 YEAR
GUARANTEE

WHI 651 S1XGBUK
Wall mounted cooker hood

Superior Line

A+ Energy Class



- Venting with air extraction or recirculation
- Material of housing/chimney: Stainless steel and glass / Stainless steel
- Colour of housing/chimney: Stainless steel and black glass / Stainless steel

A+ Energy Class



- Venting with air extraction or recirculation
- Material of housing/chimney: Stainless steel and glass / Stainless steel
- Colour of housing/chimney: Stainless steel and black glass / Stainless steel

Efficiency	<ul style="list-style-type: none"> - Maximum extraction rate by extraction operation: 480 m³/h - Venting tube diameter: 15 cm 	<ul style="list-style-type: none"> - Maximum extraction rate by extraction operation: 480 m³/h - Venting tube diameter: 15 cm
The capacity of ventilator	<ul style="list-style-type: none"> - Air flow by extraction version, step 1: 272 m³/h - Air flow by extraction version, step 2: 302 m³/h - Air flow by extraction version, step 3: 320 m³/h - Air flow by extraction version, step 4: 336 m³/h 	<ul style="list-style-type: none"> - Air flow by extraction version, step 1: 272 m³/h - Air flow by extraction version, step 2: 302 m³/h - Air flow by extraction version, step 3: 320 m³/h - Air flow by extraction version, step 4: 336 m³/h
Control	<ul style="list-style-type: none"> - AdaptTech venting: Memorizing intelligent system - Electronic control - Control setting: SliderTouch control - Timer function - Number of speed positions: 9 	<ul style="list-style-type: none"> - AdaptTech venting: Memorizing intelligent system - Electronic control - Control setting: SliderTouch control - Timer function - Number of speed positions: 9
Features	<ul style="list-style-type: none"> - TouchFree Inox - Constant ventilation ReRefresh - Lamp type: Led strip - Number of lights: 1 - Power of lights: 7 W - Airflow boost position (PowerBoost 1): 641 m³/h - Number of PowerBoost functions: 2 - Perimetric suction 	<ul style="list-style-type: none"> - TouchFree Inox - Constant ventilation ReRefresh - Lamp type: Led strip - Number of lights: 1 - Power of lights: 7 W - Airflow boost position (PowerBoost 1): 641 m³/h - Number of PowerBoost functions: 2 - Perimetric suction
Equipment	<ul style="list-style-type: none"> - Filter material: Washable aluminium with polyurethane foam - Grease filter indicator - Number of motors: 1 - Motor type: Inverter motor - No return airflow flap: 150 mm 	<ul style="list-style-type: none"> - Filter material: Washable aluminium with polyurethane foam - Grease filter indicator - Number of motors: 1 - Motor type: Inverter motor - No return airflow flap: 150 mm
Technical data	<ul style="list-style-type: none"> - Noise level (max.): 60 dB(A)re 1 pW - Product dimensions (WxD): 89.8 × 37.1 cm - Height: 416 mm - Min. height of the chimney: 575 mm - Max. height of the chimney: 1105 mm - Product dimensions (HxWxD): 41.6 × 89.8 × 37.1 cm - EAN code: 3838942041457 - Product code: 494729 	<ul style="list-style-type: none"> - Noise level (max.): 60 dB(A)re 1 pW - Product dimensions (WxD): 59.5 × 37.1 cm - Height: 416 mm - Min. height of the chimney: 575 mm - Max. height of the chimney: 1105 mm - Product dimensions (HxWxD): 41.6 × 59.5 × 37.1 cm - EAN code: 3838942041433 - Product code: 494728



WHI 921 E3BUK

Wall mounted cooker hood

Essential Line



- Venting with air extraction or recirculation
- Material of housing/chimney: Stainless steel and glass / Stainless steel
- Colour of housing/chimney: Black painted and black glass / Black

WHI 621 E3BUK

Wall mounted cooker hood

Essential Line



- Venting with air extraction or recirculation
- Material of housing/chimney: Stainless steel and glass / Stainless steel
- Colour of housing/chimney: Black painted and black glass / Black

Efficiency	<ul style="list-style-type: none"> - Maximum extraction rate by extraction operation: 559 m³/h - Venting tube diameter: 15 cm 	<ul style="list-style-type: none"> - Maximum extraction rate by extraction operation: 559 m³/h - Venting tube diameter: 15 cm
The capacity of ventilator	<ul style="list-style-type: none"> - Air flow by extraction version, step 1: 240 m³/h - Air flow by extraction version, step 2: 352 m³/h - Air flow by extraction version, step 3: 559 m³/h 	<ul style="list-style-type: none"> - Air flow by extraction version, step 1: 240 m³/h - Air flow by extraction version, step 2: 352 m³/h - Air flow by extraction version, step 3: 559 m³/h
Control	<ul style="list-style-type: none"> - Mechanic control - Control setting: Button control - Number of speed positions: 3 	<ul style="list-style-type: none"> - Mechanic control - Control setting: Button control - Number of speed positions: 3
Features	<ul style="list-style-type: none"> - Lamp type: Halogen - Number of lights: 2 - Power of lights: 40 W - Perimetric suction 	<ul style="list-style-type: none"> - Lamp type: Halogen - Number of lights: 2 - Power of lights: 40 W - Perimetric suction
Equipment	<ul style="list-style-type: none"> - Filter material: Washable aluminium with polyurethane foam - Number of motors: 1 - Motor type: Capacitor motor - No return airflow flap: 150 mm 	<ul style="list-style-type: none"> - Filter material: Washable aluminium with polyurethane foam - Number of motors: 1 - Motor type: Capacitor motor - No return airflow flap: 150 mm
Technical data	<ul style="list-style-type: none"> - Noise level (max.): 67 dB(A)re 1 pW - Product dimensions (WxD): 89.8 × 37.1 cm - Height: 416 mm - Min. height of the chimney: 575 mm - Max. height of the chimney: 1105 mm - Product dimensions (HxWxD): 41.6 × 89.8 × 37.1 cm - EAN code: 3838942041303 - Product code: 494725 	<ul style="list-style-type: none"> - Noise level (max.): 67 dB(A)re 1 pW - Product dimensions (WxD): 59.5 × 37.1 cm - Height: 416 mm - Min. height of the chimney: 575 mm - Max. height of the chimney: 1105 mm - Product dimensions (HxWxD): 41.6 × 59.5 × 37.1 cm - EAN code: 3838942041297 - Product code: 494724



WHI 921 E1XGBUK Wall mounted cooker hood

Essential Line

WHI 621 E1XGBUK Wall mounted cooker hood

Essential Line



- Venting with air extraction or recirculation
- Material of housing/chimney: Stainless steel and glass / Stainless steel
- Colour of housing/chimney: Stainless steel and black glass / Stainless steel

- Venting with air extraction or recirculation
- Material of housing/chimney: Stainless steel and glass / Stainless steel
- Colour of housing/chimney: Stainless steel and black glass / Stainless steel

Efficiency

- Maximum extraction rate by extraction operation: 559 m³/h
- Venting tube diameter: 15 cm

- Maximum extraction rate by extraction operation: 559 m³/h
- Venting tube diameter: 15 cm

The capacity of ventilator

- Air flow by extraction version, step 1: 240 m³/h
- Air flow by extraction version, step 2: 352 m³/h
- Air flow by extraction version, step 3: 559 m³/h

- Air flow by extraction version, step 1: 240 m³/h
- Air flow by extraction version, step 2: 352 m³/h
- Air flow by extraction version, step 3: 559 m³/h

Control

- Mechanic control
- Control setting: Button control
- Number of speed positions: 3

- Mechanic control
- Control setting: Button control
- Number of speed positions: 3

Features

- TouchFree Inox
- Lamp type: Halogen
- Number of lights: 2
- Power of lights: 40 W
- Perimetric suction

- TouchFree Inox
- Lamp type: Halogen
- Number of lights: 2
- Power of lights: 40 W
- Perimetric suction

Equipment

- Filter material: Washable aluminium with polyurethane foam
- Number of motors: 1
- Motor type: Capacitor motor
- No return airflow flap: 150 mm

- Filter material: Washable aluminium with polyurethane foam
- Number of motors: 1
- Motor type: Capacitor motor
- No return airflow flap: 150 mm

Technical data

- Noise level (max.): 67 dB(A)re 1 pW
- Product dimensions (WxD): 89.8 × 37.1 cm
- Height: 416 mm
- Min. height of the chimney: 575 mm
- Max. height of the chimney: 1105 mm
- Product dimensions (HxWxD): 41.6 × 89.8 × 37.1 cm
- EAN code: 3838942041280
- Product code: 494723

- Noise level (max.): 67 dB(A)re 1 pW
- Product dimensions (WxD): 59.5 × 37.3 cm
- Height: 450 mm
- Min. height of the chimney: 575 mm
- Max. height of the chimney: 1104 mm
- Product dimensions (HxWxD): 45 × 59.5 × 37.3 cm
- EAN code: 3838942041273
- Product code: 494722

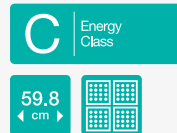
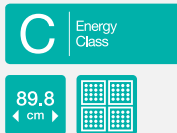


WHT 921 E3XBGUK Wall mounted cooker hood

Essential Line

WHT 621 E3XBGUK Wall mounted cooker hood

Essential Line



- Venting with air extraction or recirculation
- Material of housing/chimney: Stainless steel and glass / Stainless steel
- Colour of housing/chimney: Stainless steel and black glass / Stainless steel

- Venting with air extraction or recirculation
- Material of housing/chimney: Stainless steel and glass / Stainless steel
- Colour of housing/chimney: Stainless steel and black glass / Stainless steel

Efficiency	<ul style="list-style-type: none"> - Maximum extraction rate by extraction operation: 559 m³/h - Venting tube diameter: 15 cm 	<ul style="list-style-type: none"> - Maximum extraction rate by extraction operation: 559 m³/h - Venting tube diameter: 15 cm
The capacity of ventilator	<ul style="list-style-type: none"> - Air flow by extraction version, step 1: 240 m³/h - Air flow by extraction version, step 2: 352 m³/h - Air flow by extraction version, step 3: 559 m³/h 	<ul style="list-style-type: none"> - Air flow by extraction version, step 1: 240 m³/h - Air flow by extraction version, step 2: 352 m³/h - Air flow by extraction version, step 3: 559 m³/h
Control	<ul style="list-style-type: none"> - Mechanic control - Control setting: Button control - Number of speed positions: 3 	<ul style="list-style-type: none"> - Mechanic control - Control setting: Button control - Number of speed positions: 3
Features	<ul style="list-style-type: none"> - Lamp type: Halogen - Number of lights: 2 - Power of lights: 40 W 	<ul style="list-style-type: none"> - Lamp type: Halogen - Number of lights: 2 - Power of lights: 40 W
Equipment	<ul style="list-style-type: none"> - Filter material: Washable aluminium with polyurethane foam - Number of motors: 1 - Motor type: Capacitor motor - No return airflow flap: 150 mm 	<ul style="list-style-type: none"> - Filter material: Washable aluminium with polyurethane foam - Number of motors: 1 - Motor type: Capacitor motor - No return airflow flap: 150 mm
Technical data	<ul style="list-style-type: none"> - Noise level (max.): 67 dB(A)re 1 pW - Product dimensions (WxD): 89.8 × 45 cm - Height: 42 mm - Min. height of the chimney: 577 mm - Max. height of the chimney: 1117 mm - Product dimensions (HxWxD): 4.2 × 89.8 × 45 cm - EAN code: 3838942041266 - Product code: 494721 	<ul style="list-style-type: none"> - Noise level (max.): 67 dB(A)re 1 pW - Product dimensions (WxD): 59.8 × 45 cm - Height: 42 mm - Min. height of the chimney: 577 mm - Max. height of the chimney: 1117 mm - Product dimensions (HxWxD): 4.2 × 59.8 × 45 cm - EAN code: 3838942041259 - Product code: 494700



WHT 921 E5XUK Wall mounted cooker hood

Essential Line

WHT 621 E5XUK Wall mounted cooker hood

Essential Line



- Venting with air extraction or recirculation
- Material of housing/chimney: Stainless steel / Stainless steel
- Colour of housing/chimney: Stainless steel / Stainless steel

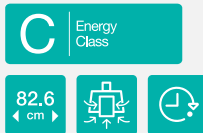


- Venting with air extraction or recirculation
- Material of housing/chimney: Stainless steel / Stainless steel
- Colour of housing/chimney: Stainless steel / Stainless steel

Efficiency	<ul style="list-style-type: none"> - Maximum extraction rate by extraction operation: 559 m³/h - Venting tube diameter: 15 cm 	<ul style="list-style-type: none"> - Maximum extraction rate by extraction operation: 559 m³/h - Venting tube diameter: 15 cm
The capacity of ventilator	<ul style="list-style-type: none"> - Air flow by extraction version, step 1: 240 m³/h - Air flow by extraction version, step 2: 368 m³/h - Air flow by extraction version, step 3: 559 m³/h 	<ul style="list-style-type: none"> - Air flow by extraction version, step 1: 240 m³/h - Air flow by extraction version, step 2: 368 m³/h - Air flow by extraction version, step 3: 559 m³/h
Control	<ul style="list-style-type: none"> - Mechanic control - Control setting: Button control - Number of speed positions: 3 	<ul style="list-style-type: none"> - Mechanic control - Control setting: Button control - Number of speed positions: 3
Features	<ul style="list-style-type: none"> - TouchFree Inox - Lamp type: Halogen - Number of lights: 2 - Power of lights: 40 W 	<ul style="list-style-type: none"> - TouchFree Inox - Lamp type: Halogen - Number of lights: 2 - Power of lights: 40 W
Equipment	<ul style="list-style-type: none"> - Filter material: Washable aluminium with polyurethane foam - Number of motors: 1 - Motor type: Capacitor motor - No return airflow flap: 150 mm 	<ul style="list-style-type: none"> - Filter material: Washable aluminium with polyurethane foam - Number of motors: 1 - Motor type: Capacitor motor - No return airflow flap: 150 mm
Technical data	<ul style="list-style-type: none"> - Noise level (max.): 67 dB(A)re 1 pW - Product dimensions (WxD): 89.8 × 45 cm - Height: 42 mm - Min. height of the chimney: 577 mm - Max. height of the chimney: 1117 mm - Product dimensions (HxWxD): 4.2 × 89.8 × 45 cm - EAN code: 3838942041242 - Product code: 494699 	<ul style="list-style-type: none"> - Noise level (max.): 67 dB(A)re 1 pW - Product dimensions (WxD): 59.8 × 45 cm - Height: 42 mm - Min. height of the chimney: 577 mm - Max. height of the chimney: 1117 mm - Product dimensions (HxWxD): 4.2 × 59.8 × 45 cm - EAN code: 3838942041235 - Product code: 494698

5
5 YEAR
WARRANTY

DFGA 9575 BX
Down draft cooker hood



- Venting with air extraction or recirculation
- Material of housing: Stainless steel and glass
- Colour of housing: Stainless steel and black glass

5
5 YEAR
WARRANTY

DC 9635 X
Recessed ceiling hood



- Venting with air extraction or recirculation
- Material of housing: Stainless steel
- Colour of housing: Stainless steel

Efficiency	<ul style="list-style-type: none"> - Maximum extraction rate by extraction operation: 610 m³/h - Maximum extraction rate by recirculation operation: 700 m³/h - Venting tube diameter: 15 cm 	<ul style="list-style-type: none"> - Efficiency - Maximum extraction rate by extraction operation: 615 m³/h - Venting tube diameter: 15 cm
The capacity of ventilator	<ul style="list-style-type: none"> - Air flow by extraction version, step 1: 315 m³/h - Air flow by extraction version, step 3: 610 m³/h 	<ul style="list-style-type: none"> - Air flow by extraction version, step 1: 339 m³/h - Air flow by extraction version, step 3: 615 m³/h
Control	<ul style="list-style-type: none"> - Electronic control - Control setting: Touch - Timer function - Number of speed positions: 3 	<ul style="list-style-type: none"> - Electronic control - Timer function - Number of speed positions: 3 - Remote control
Features	<ul style="list-style-type: none"> - Lamp type: LED - Number of lights: 3 - Power of lights: 3 W - Airflow boost position (PowerBoost 1): 660 m³/h - Number of PowerBoost functions: 1 - Perimetric suction 	<ul style="list-style-type: none"> - Lamp type: Halogen - Number of lights: 3 - Power of lights: 60 W - Airflow boost position (PowerBoost 1): 650 m³/h - Number of PowerBoost functions: 1 - Perimetric suction
Equipment	<ul style="list-style-type: none"> - Filter material: Aluminium - Grease filter indicator - Washable grease filter - Number of motors: 1 - No return airflow flap: 150 mm 	<ul style="list-style-type: none"> - Filter material: Aluminium - Grease filter indicator - Washable grease filter - Number of motors: 1 - No return airflow flap: 150 mm
Technical data	<ul style="list-style-type: none"> - Noise level (max.): 62 dB(A)re 1 pW - Product dimensions (WxD): 82.6 × 9.2 cm - Height: 740 mm - Product dimensions (HxWxD): 74 × 82.6 × 9.2 cm - EAN code: 3838942787546 - Product code: 378269 	<ul style="list-style-type: none"> - Noise level (max.): 70 dB(A)re 1 pW - Product dimensions (WxD): 90 × 60 cm - Height: 600 mm - Product dimensions (HxWxD): 60 × 90 × 60 cm - EAN code: 3838942703751 - Product code: 326641

5
5 YEAR
WARRANTY

IDR 4545 XUK
Island cooker hood

E Energy Class



- Venting with air extraction or recirculation
- Material of housing/chimney: Stainless steel / Stainless steel
- Colour of housing/chimney: Stainless steel / Stainless steel

5
5 YEAR
WARRANTY

IDKG 9545 XUK
Island cooker hood

D Energy Class



- Venting with air extraction or recirculation
- Material of housing/chimney: Stainless steel and glass / Stainless steel
- Colour of housing/chimney: Glass and stainless steel / Stainless steel

Efficiency	<ul style="list-style-type: none"> - Maximum extraction rate by extraction operation: 576 m³/h - Maximum extraction rate by recirculation operation: 408 m³/h - Venting tube diameter: 15 cm 	<ul style="list-style-type: none"> - Maximum extraction rate by extraction operation: 643 m³/h - Maximum extraction rate by recirculation operation: 565 m³/h - Venting tube diameter: 15 cm
The capacity of ventilator	<ul style="list-style-type: none"> - Air flow by extraction version, step 1: 218 m³/h - Air flow by extraction version, step 3: 384 m³/h - Air flow by extraction version, step 4: 576 m³/h 	<ul style="list-style-type: none"> - Air flow by extraction version, step 1: 222 m³/h - Air flow by extraction version, step 3: 422 m³/h - Air flow by extraction version, step 4: 643 m³/h
Control	<ul style="list-style-type: none"> - Electronic control - Control setting: Touch - Timer function - Number of speed positions: 4 	<ul style="list-style-type: none"> - Electronic control - Control setting: Touch - Timer function - Number of speed positions: 4
Features	<ul style="list-style-type: none"> - Lamp type: Halogen - Number of lights: 4 - Power of lights: 80 W - Perimetric suction 	<ul style="list-style-type: none"> - Lamp type: Halogen - Number of lights: 4 - Power of lights: 80 W
Equipment	<ul style="list-style-type: none"> - Filter material: Aluminium - Washable grease filter - Number of motors: 1 	<ul style="list-style-type: none"> - Filter material: Aluminium - Washable grease filter - Number of motors: 1 - No return airflow flap: 150 mm
Technical data	<ul style="list-style-type: none"> - Noise level (max.): 45 dB(A)re 1 pW - Product dimensions (WxD): 39 × 39 cm - Height: 700 mm - Min. height of the chimney: 700 mm - Max. height of the chimney: 900 mm - Product dimensions (HxWxD): 70 × 39 × 39 cm - EAN code: 3838942548437 - Product code: 255137 	<ul style="list-style-type: none"> - Noise level (max.): 65 dB(A)re 1 pW - Product dimensions (WxD): 90 × 60 cm - Height: 54 mm - Min. height of the chimney: 785 mm - Max. height of the chimney: 985 mm - Product dimensions (HxWxD): 5.4 × 90 × 60 cm - EAN code: 3838942525889 - Product code: 246851

5
YEAR
WARRANTY

DKG 9335 E
Wall mounted cooker hood

D
Energy
Class90
cm

- Venting with air extraction or recirculation
- Material of housing/chimney: Stainless steel and glass / Stainless steel
- Colour of housing/chimney: Glass and stainless steel / Stainless steel

5
YEAR
WARRANTY

DKG 6315 X-UK
Wall mounted cooker hood

E
Energy
Class59.8
cm

- Venting with air extraction or recirculation
- Material of housing/chimney: Stainless steel and glass / Stainless steel
- Colour of housing/chimney: Glass and stainless steel / Stainless steel

Efficiency	<ul style="list-style-type: none"> - Maximum extraction rate by extraction operation: 394 m³/h - Maximum extraction rate by recirculation operation: 295 m³/h - Venting tube diameter: 15 cm 	<ul style="list-style-type: none"> - Maximum extraction rate by extraction operation: 416 m³/h - Maximum extraction rate by recirculation operation: 190 m³/h - Venting tube diameter: 14,8 cm
The capacity of ventilator	<ul style="list-style-type: none"> - Air flow by extraction version, step 1: 246 m³/h - Air flow by extraction version, step 3: 394 m³/h 	<ul style="list-style-type: none"> - Air flow by extraction version, step 1: 208 m³/h - Air flow by extraction version, step 3: 416 m³/h
Control	<ul style="list-style-type: none"> - Mechanic control - Control setting: Button control - Number of speed positions: 3 	<ul style="list-style-type: none"> - Mechanic control - Control setting: Button control - Number of speed positions: 3
Features	<ul style="list-style-type: none"> - Lamp type: Halogen - Number of lights: 2 - Power of lights: 40 W 	<ul style="list-style-type: none"> - Lamp type: Halogen - Number of lights: 2 - Power of lights: 40 W
Equipment	<ul style="list-style-type: none"> - Filter material: Aluminium - Washable grease filter - Number of motors: 1 - No return airflow flap: 150 mm 	<ul style="list-style-type: none"> - Filter material: Aluminium - Washable grease filter - Number of motors: 1 - No return airflow flap 148 mm
Technical data	<ul style="list-style-type: none"> - Noise level (max.): 60 dB(A)re 1 pW - Product dimensions (WxD): 90 × 49 cm - Height: 60 mm - Min. height of the chimney: 590 mm - Max. height of the chimney: 1055 mm - Product dimensions (HxWxD): 6 × 90 × 49 cm - EAN code: 3838942407000 - Product code: 185282 	<ul style="list-style-type: none"> - Noise level (max.): 66 dB(A)re 1 pW - Product dimensions (WxD): 59.8 × 45 cm - Height: 46 mm - Min. height of the chimney: 687 mm - Max. height of the chimney: 1097 mm - Product dimensions (HxWxD): 4.6 × 59.8 × 45 cm - EAN code: 3838942915048 - Product code: 416443

5
5 YEAR
WARRANTY

DK 9335 X
Wall mounted cooker hood

A

Energy
Class90
cm

- Venting with air extraction or recirculation
- Material of housing/chimney: Stainless steel / Stainless steel
- Colour of housing/chimney: Stainless steel / Stainless steel

5
5 YEAR
WARRANTY

DK 6315 X
Wall mounted cooker hood

E

Energy
Class59.8
cm

- Venting with air extraction or recirculation
- Material of housing/chimney: Stainless steel / Stainless steel
- Colour of housing/chimney: Stainless steel / Stainless steel

Efficiency	<ul style="list-style-type: none"> - Maximum extraction rate by extraction operation: 324 m³/h - Venting tube diameter: 15 cm 	<ul style="list-style-type: none"> - Maximum extraction rate by extraction operation: 368 m³/h - Maximum extraction rate by recirculation operation: 250 m³/h - Venting tube diameter: 15 cm
The capacity of ventilator	<ul style="list-style-type: none"> - Air flow by extraction version, step 1: 200 m³/h - Air flow by extraction version, step 3: 324 m³/h 	<ul style="list-style-type: none"> - Air flow by extraction version, step 1: 185 m³/h - Air flow by extraction version, step 3: 368 m³/h
Control	<ul style="list-style-type: none"> - Mechanic control - Control setting: Button control - Number of speed positions: 3 	<ul style="list-style-type: none"> - Mechanic control - Control setting: Button control - Number of speed positions: 3
Features	<ul style="list-style-type: none"> - Lamp type: Halogen - Number of lights: 2 - Power of lights: 56 W 	<ul style="list-style-type: none"> - Lamp type: Halogen - Number of lights: 2 - Power of lights: 56 W
Equipment	<ul style="list-style-type: none"> - Filter material: Aluminium - Washable grease filter - Number of motors: 1 - No return airflow flap: 150 mm 	<ul style="list-style-type: none"> - Filter material: Aluminium - Washable grease filter - Number of motors: 1 - No return airflow flap: 150 mm
Technical data	<ul style="list-style-type: none"> - Noise level (max.): 60 dB(A)re 1 pW - Product dimensions (WxD): 90 × 45 cm - Height: 200 mm - Min. height of the chimney: 383 mm - Max. height of the chimney: 698 mm - Product dimensions (HxWxD): 20 × 90 × 45 cm - EAN code: 3838942780776 - Product code: 374060 	<ul style="list-style-type: none"> - Noise level (max.): 61 dB(A)re 1 pW - Product dimensions (WxD): 59.8 × 45 cm - Height: 197 mm - Min. height of the chimney: 542 mm - Max. height of the chimney: 864 mm - Product dimensions (HxWxD): 19.7 × 59.8 × 45 cm - EAN code 3838942653766 - Product code: 299138

5
5 YEAR
WARRANTY

DQ 4446 X-UK
Wall mounted cooker hood

E
Energy
Class40
cm

- Venting with air extraction or recirculation
- Material of housing/chimney: Stainless steel / Stainless steel
- Colour of housing/chimney: Stainless steel / Stainless steel

5
5 YEAR
WARRANTY

DF 6315 X
Built-in telescopic cooker hood

E
Energy
Class59.8
cm

- Venting with air extraction or recirculation
- Material of housing/chimney: Stainless steel / Stainless steel
- Colour of housing/chimney: Grey / Stainless steel

Efficiency	<ul style="list-style-type: none"> - Maximum extraction rate by extraction operation: 558 m³/h - Maximum extraction rate by recirculation operation: 610 m³/h - Venting tube diameter: 15 cm 	<ul style="list-style-type: none"> - Maximum extraction rate by extraction operation: 240 m³/h - Maximum extraction rate by recirculation operation: 145 m³/h - Venting tube diameter: 12 cm
The capacity of ventilator	<ul style="list-style-type: none"> - Air flow by extraction version, step 1: 198 m³/h - Air flow by extraction version, step 4: 558 m³/h 	<ul style="list-style-type: none"> - Air flow by extraction version, step 1: 145 m³/h - Air flow by extraction version, step 3: 240 m³/h
Control	<ul style="list-style-type: none"> - Electronic control - Control setting: Touch - Number of speed positions: 4 	<ul style="list-style-type: none"> - Mechanic control - Control setting: Button control - Number of speed positions: 3
Features	<ul style="list-style-type: none"> - Lamp type: Halogen - Number of lights: 4 - Power of lights: 80 W 	<ul style="list-style-type: none"> - Lamp type: Halogen - Number of lights: 2 - Power of lights: 56 W
Equipment	<ul style="list-style-type: none"> - Filter material: Aluminium - Washable grease filter - Number of motors: 1 - No return airflow flap 150 mm 	<ul style="list-style-type: none"> - Filter material: Aluminium - Washable grease filter - Number of motors: 1
Technical data	<ul style="list-style-type: none"> - Noise level (max.): 46 dB(A)re 1 pW - Product dimensions (WxD): 40 × 30 cm - Height: 780 mm - Product dimensions (HxWxD): 78 × 40 × 30 cm - EAN code: 3838942776816 - Product code: 372349 	<ul style="list-style-type: none"> - Noise level (max.): 57 dB(A)re 1 pW - Product dimensions (WxD): 59.8 × 32.5 cm - Height: 180 mm - Product dimensions (HxWxD): 18 × 59.8 × 32.5 cm - EAN code 3838942854897 - Product code: 406157

PROTECTING THE ESSENTIAL

Refrigerators, fridge freezers and upright freezers

Although the refrigerator or the fridge freezer is a centrepiece of any kitchen, this built-in appliance can easily blend in with the environment. In its interior, an array of technologies makes sure that healthy and fresh food is always available. The design of its interior allows convenient and neat storage even when fully loaded with food. In addition to mastering the maintenance of an optimum environment for lasting freshness of food, Gorenje refrigerators and fridge freezers are also respectfully silent and prudently economical. Furthermore, life on the fast lane and the wish for the best food at any time require much more from an upright freezer than providing space with low temperatures. Smart technology will make sure the microcrystals formed during the freezing process will not damage the cells in the food. As a result, it will retain its vitamins, minerals, and – most importantly – its flavour. Thus, strawberries picked in the summer will taste just as sweet in the winter, and the ready-made lunch will, although frozen, wait for when you need it in the best shape. The interior is thoughtfully designed to allow neat storage of larger amounts of food.







NoFrost DualAdvance

Optimum double air circulation system

Intensive circulation of cool air in the freezer compartment reduces the humidity level and prevents accumulation of frost on the food and ice on the freezer walls. In the refrigerator compartment, it provides optimum food storage conditions. This leads to optimum cooling and freezing control, each adjusted to the respective processes in the two separate parts of the appliance.

- No more freezer defrosting
- Frozen food will no longer stick together.
- Quality frozen food
- Better view of the contents
- More space
- No exchange of odours between the freezer and refrigerator compartment
- Fresh food will not dry out and remain fresh longer.

Separate cooling and NoFrost process



FastFreeze

Rapid freezing

The FastFreeze function freezes the food at -24°C to preserve most of the minerals in the food. After approximately 2 days, the function is switched off automatically and the freezer compartment temperature returns to the initial setting.



SuperCool

Rapid cooling after weekly shopping

The intensive cooling function drops the refrigerator temperature to 3°C , which is lower than usual by nearly a half. Combined with large volume, this temperature is ideal for rapid cooling of food after major shopping trips. After six hours, the function is switched off automatically and the refrigerator compartment temperature returns to the initial setting.



LED

LED lighting in refrigerators provides excellent and highly efficient illumination. Its useful life is thirty times as long as that of conventional light bulbs while its power consumption is ten times lower.



Flat hinge

The heavy-duty hinge allows storing heavier items in the door bins, as well as opening the door to an angle of 115°. This allows a clearer look of the interior and makes loading the fridge and taking the food from it more convenient as the door won't keep closing. If the door is left ajar, the hinge will fully close it to save power.



Deep bottle shelf in the refrigerator door

Refrigerator door has plenty of storage for the largest glass or plastic bottles. A special fence holds the items in place to prevent it from moving and damage while the door is opened or closed.



Bottle rack

In order to save valuable space on the shelves, bottles can be stored in the fridge on a convenient rack. This further improves the layout and clarity.



Fan

A fan propels the air to make sure the temperature is even throughout the refrigerator. This improves cooling and prevents accumulation of condensate, thus maintaining optimum environment for lasting freshness of all types of food.



Adjustable shelf

The split upper shelf can be used a regular self or as two narrow shelf laid out one on top of the other. This will allow the fridge to accommodate taller dishes or bottles and improve the layout and view of the interior.



PullOut shelves

Shelves on extendible guides allow quick and easy access to food at the back of the fridge. The tempered glass shelves are highly durable and will carry up to 22 kilograms of food.



SensoTech

Electronic control of freezing and cooling temperature is even more efficient. Advanced models feature separate freezer and refrigerator compartment temperature control and the LED display provides the information on temperature in a friendly way.



Eco programme

In case of prolonged absence, the fridge can be set to operate in power-saving mode as the door is closed all the time.

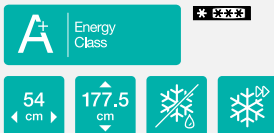


A+

All refrigerators are highly energy-efficient. Excellent thermal insulation and door sealing, inverter compressor, and electronic control efficiently reduce power consumption. Refrigerators with the A+ energy efficiency rating use 20% less power than those in the A class.



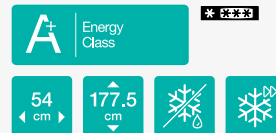
NRKI 4181 CW
Built-in integrated fridge freezer



- Colour: White
- Reversible door opening
- Door material: Steel sheet
- Sliding door hinge
- Climate class: SN, ST, N



NRCI 4181 CW
Built-in integrated fridge freezer



- Colour: White
- Reversible door opening
- Door material: Steel sheet
- Sliding door hinge
- Climate class: SN, ST, N

Efficiency	<ul style="list-style-type: none"> - 1 compressor - Total gross/net volume: 278 / 262 l - Capacity of cooling compartment: gross/net: 203 / 202 l - Capacity of freezer compartment: gross/net: 75 / 60 l - Freezing capacity in 24 hours: 3 kg / 24h - Power cut safe time: 13 h 	<ul style="list-style-type: none"> - 1 compressor - Total gross/net volume: 267 / 250 l - Capacity of cooling compartment: gross/net: 163 / 162 l - Capacity of freezer compartment: gross/net: 104 / 88 l - Freezing capacity in 24 hours: 4 kg / 24h - Power cut safe time: 12 h
Control	- Electronic control SensoTech	- Electronic control SensoTech
Features	<ul style="list-style-type: none"> - NoFrost DualAdvance - FastFreeze - Programme Eco 	<ul style="list-style-type: none"> - NoFrost DualAdvance - FastFreeze - Programme Eco
Equipment of refrigerator	<ul style="list-style-type: none"> - Without decor panel - Type of interior light: LED - 5 glass shelves - 2 glass slide shelves - 2 divisible glass shelves - Bottle rack - Dairy shelf - Bottle shelf with fixed trap - Flexible egg tray (12x) - 2 vegetable drawers 	<ul style="list-style-type: none"> - Without decor panel - Standard interior light by side - 4 glass shelves - 2 glass slide shelves - 1 glass divisible shelf - Dairy shelf - Bottle shelf with fixed trap - Flexible egg tray (12x) - 2 vegetable drawers
Equipment of freezer	<ul style="list-style-type: none"> - 2 storage drawers - 1 compartment with door for frozen food - 1 ice tray 	<ul style="list-style-type: none"> - 3 drawers for storage of frozen food - 1 compartment with door for frozen food - 1 ice tray
Technical data	<ul style="list-style-type: none"> - Energy consumption kWh/24h: 0.767 kWh - Energy consumption kWh/year: 280 kWh - Level of noise (max.): 42 dB(A)re 1 pW - Product dimensions (HxWxD): 177.5 × 54 × 54.5 cm - Niche dimensions min-max (HxWxD): 177.5-178 × 56-57 × 56 cm - EAN code: 3838942922503 - Product code: 418695 	<ul style="list-style-type: none"> - Energy consumption kWh/24h: 0.805 kWh - Energy consumption kWh/year: 294 kWh - Level of noise (max.): 42 dB(A)re 1 pW - Product dimensions (HxWxD): 177.5 × 54 × 54.5 cm - Niche dimensions min-max (HxWxD): 177.5-178 × 56-57 × 56 cm - EAN code: 3838942818028 - Product code: 393916

5
YEAR
WARRANTY

RKI 4181 AWW

Built-in integrated fridge freezer



- Colour: White
- Reversible door opening
- Door material: Steel sheet
- Sliding door hinge
- Climate class: SN, ST, N

5
YEAR
WARRANTY

RCI 4181 AWW

Built-in integrated fridge freezer



- Colour: White
- Reversible door opening
- Door material: Steel sheet
- Sliding door hinge
- Climate class: SN, ST, N

Efficiency	<ul style="list-style-type: none"> - 1 compressor - Total gross/net volume: 254 / 238 l - Capacity of cooling compartment: gross/net: 142 / 140 l - Capacity of freezer compartment: gross/net: 112 / 98 l - Freezing capacity in 24 hours: 4,5 kg / 24h - Power cut safe time: 15 h 	<ul style="list-style-type: none"> - 1 compressor - Total gross/net volume: 258 / 242 l - Capacity of cooling compartment: gross/net: 177 / 173 l - Capacity of freezer compartment: gross/net: 81 / 69 l - Freezing capacity in 24 hours: 9 kg / 24h - Power cut safe time: 14 h
Control	- Mechanic control	- Mechanic control
Features	<ul style="list-style-type: none"> - Fan-assisted cooling in fridge - SuperCool - FastFreeze 	<ul style="list-style-type: none"> - Fan-assisted cooling in fridge - SuperCool - FastFreeze
Equipment of refrigerator	<ul style="list-style-type: none"> - Without decor panel - Standard interior light by side - 3 glass shelves - Bottle rack - 2 dairy shelves - Bottle shelf with fixed trap - Flexible egg tray (6×) - 2 vegetable drawers 	<ul style="list-style-type: none"> - Without decor panel - Standard interior light by side - 4 glass shelves - Bottle rack - 2 dairy shelves - Bottle shelf with fixed trap - 2 egg racks (6×) - 2 vegetable drawers
Equipment of freezer	<ul style="list-style-type: none"> - 3 drawers for storage of frozen food - 1 drawer for freezing 	<ul style="list-style-type: none"> - 2 storage drawers - 1 drawer for freezing
Technical data	<ul style="list-style-type: none"> - Energy consumption kWh/24h: 0.761 kWh - Energy consumption kWh/year: 278 kWh - Level of noise (max.): 40 dB(A)re 1 pW - Product dimensions (HxWxD): 176.6 × 54 × 54.5 cm - Niche dimensions min-max (HxWxD): 177.5-178 × 56-57 × 55 cm - EAN code: 3838942815973 - Product code: 392701 	<ul style="list-style-type: none"> - Energy consumption kWh/24h: 0.726 kWh - Energy consumption kWh/year: 265 kWh - Level of noise (max.): 40 dB(A)re 1 pW - Product dimensions (HxWxD): 177.5 × 54 × 54.5 cm - Niche dimensions min-max (HxWxD): 177.5-178 × 56-57 × 55 cm - EAN code: 3838942815980 - Product code: 392704

5
YEAR
WARRANTY

RI 4181 AW

Built-in integrated refrigerator



- Colour: White
- Reversible door opening
- Door material: Steel sheet
- Sliding door hinge
- Climate class: SN, ST, N

Efficiency

- 1 compressor
- Total gross/net volume: 327 / 326 l
- Capacity of cooling compartment: gross/net: 327 / 326 l

Control

- Mechanic control

Features

Equipment of refrigerator

- Without decor panel
- Standard interior light by side
- 7 glass shelves
- 4 removable glass shelves
- 2 divisible glass shelves
- Bottle rack
- Bottle shelf with fixed trap
- 2 vegetable drawers

Equipment of freezer

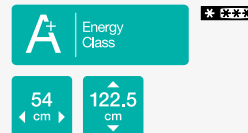
Technical data

- Energy consumption kWh/24h: 0.394 kWh
- Energy consumption kWh/year: 144 kWh
- Level of noise (max.): 40 dB(A)re 1 pW
- Product dimensions (HxWxD): 177.5 × 54 × 54.5 cm
- Niche dimensions min-max (HxWxD): 177.5-178 × 56-57 × 56 cm
- EAN code: 3838942816963
- Product code: 392706

5
YEAR
WARRANTY

RI 4121 AW

Built-in integrated refrigerator



- Colour: White
- Reversible door opening
- Door material: Steel sheet
- Sliding door hinge
- Climate class: SN, ST, N

Efficiency

- 1 compressor
- Total gross/net volume: 214 / 213 l
- Capacity of cooling compartment: gross/net: 214 / 213 l

Control

- Mechanic control

Equipment of refrigerator

- Without decor panel
- Standard interior light by side
- 5 glass shelves
- Dairy shelf
- Bottle shelf with trap
- 2 egg racks (6×)
- Large crisper pan for vegetables and fruit

Technical data

- Energy consumption kWh/24h: 0.355 kWh
- Energy consumption kWh/year: 130 kWh
- Level of noise (max.): 41 dB(A)re 1 pW
- Product dimensions (HxWxD): 122.5 × 54 × 54.5 cm
- Niche dimensions min-max (HxWxD): 122.5-123 × 56-57 × 55 cm
- EAN code: 3838942819421
- Product code: 393918

5 YEAR WARRANTY



RBI 4121 AW

Built-in integrated refrigerator



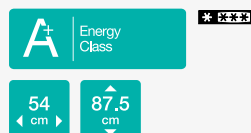
- Colour: White
- Reversible door opening
- Door material: Steel sheet
- Sliding door hinge
- Climate class: SN, ST, N

5 YEAR WARRANTY



RI 4091 AW

Built-in integrated refrigerator



- Colour: White
- Reversible door opening
- Door material: Steel sheet
- Sliding door hinge
- Climate class: ST, N

Efficiency	<ul style="list-style-type: none"> - 1 compressor - Total gross/net volume: 205 / 202 l - Capacity of cooling compartment: gross/net: 188 / 185 l - Capacity of freezer compartment: gross/net: 17 / 17 l - Freezing capacity in 24 hours: 2 kg / 24h - Power cut safe time: 12 h 	<ul style="list-style-type: none"> - 1 compressor - Total gross/net volume: 146 / 145 l - Capacity of cooling compartment: gross/net: 146 / 145 l
Control	- Mechanic control	- Mechanic control
Features	- FastFreeze	
Equipment of refrigerator	<ul style="list-style-type: none"> - Without decor panel - Standard interior light by side - 4 glass shelves - Dairy shelf - Bottle shelf with trap - 2 egg racks (6x) - Large crisper pan for vegetables and fruit 	<ul style="list-style-type: none"> - Without decor panel - Standard interior light by side - 4 glass shelves - Dairy shelf - Bottle shelf with trap - 2 egg racks (6x) - Large crisper pan for vegetables and fruit
Equipment of freezer	<ul style="list-style-type: none"> - 1 compartment with door for frozen food - 1 ice tray 	
Technical data	<ul style="list-style-type: none"> - Energy consumption kWh/24h: 0.607 kWh - Energy consumption kWh/year: 222 kWh - Level of noise (max.): 41 dB(A)re 1 pW - Product dimensions (HxWxD): 122.5 × 54 × 54.5 cm - Niche dimensions min-max (HxWxD): 122.5-123 × 56-57 × 55 cm - EAN code: 3838942819445 - Product code: 393924 	<ul style="list-style-type: none"> - Energy consumption kWh/24h: 0.331 kWh - Energy consumption kWh/year: 121 kWh - Level of noise (max.): 38 dB(A)re 1 pW - Product dimensions (HxWxD): 87.5 × 54 × 54.5 cm - Niche dimensions min-max (HxWxD): 87.5-88 × 56-57 × 55 cm - EAN code: 3838942819438 - Product code: 393922

5
YEAR
WARRANTY**RIU 6091 AW**

Built under integrated refrigerator

A+ Energy Class

* * * * *

59.6 cm

82 cm

- Colour: White
- Reversible door opening
- Door material: Steel sheet
- Door to door hinge
- Climate class: SN, ST, N

Efficiency

- 1 compressor
- Total gross/net volume: 144 / 143 l
- Capacity of cooling compartment: gross/net: 144 / 143 l

Control

- Mechanic control

Features**Equipment of refrigerator**

- Without decor panel
- Type of interior light: LED
- 2 glass shelves
- 1 half glass shelf
- Dairy shelf
- Bottle shelf without trap
- Flexible egg tray (6x)
- Large crisper pan for vegetables and fruit

Equipment of freezer**Technical data**

- Energy consumption kWh/24h: 0.323 kWh
- Energy consumption kWh/year: 118 kWh
- Level of noise (max.): 40 dB(A)re 1 pW
- Product dimensions (HxWxD): 82 × 59.6 × 54.5 cm
- Niche dimensions min-max (HxWxD): 82-90 × 60 × 55 cm
- EAN code: 3838942861116
- Product code: 407390

5
YEAR
WARRANTY**RBIU 6091 AW**

Built under integrated refrigerator

A+ Energy Class

* * * * *

59.6 cm

82 cm

- Colour: White
- Reversible door opening
- Door material: Steel sheet
- Door to door hinge
- Climate class: ST, N

Efficiency

- 1 compressor
- Total gross/net volume: 130 / 126 l
- Capacity of cooling compartment: gross/net: 109 / 105 l
- Capacity of freezer compartment: gross/net: 21 / 21 l
- Freezing capacity in 24 hours: 2 kg / 24h
- Power cut safe time: 12 h

Control

- Mechanic control

Equipment of refrigerator

- Without decor panel
- Type of interior light: LED
- 2 glass shelves
- 1 half glass shelf
- Dairy shelf
- Bottle shelf without trap
- Flexible egg tray (6x)
- Large crisper pan for vegetables and fruit

Equipment of freezer

- 1 compartment with door for frozen food
- 1 ice tray

- Energy consumption kWh/24h: 0.493 kWh
- Energy consumption kWh/year: 180 kWh
- Level of noise (max.): 42 dB(A)re 1 pW
- Product dimensions (HxWxD): 82 × 59.6 × 54.5 cm
- Niche dimensions min-max (HxWxD): 82-90 × 60 × 55 cm
- EAN code: 3838942861123
- Product code: 407391

5 YEAR WARRANTY



FI 4091 AW

Built-in freezer



- Colour: White
- Reversible door opening
- Climate class: SN, ST, N
- Sliding door hinge

5 YEAR WARRANTY



FIU 6091 AW

Built under integrated freezer



- Colour: White
- Reversible door opening
- Climate class: SN, ST, N
- Door-to-door hinge

Efficiency	<ul style="list-style-type: none"> - 1 compressor - Total gross/net volume: 103 / 86 l - Freezing capacity in 24 hours: 13 kg - Power cut safe time: 15 h 	<ul style="list-style-type: none"> - 1 compressor - Total gross/net volume: 96 / 86 l - Freezing capacity in 24 hours: 8 kg - Power cut safe time: 17 h
Control	<ul style="list-style-type: none"> - Electronic control SensoTech - Manual controlled defrost freezer - Visual signal for high temperature in freezer: red signal 	<ul style="list-style-type: none"> - Electronic control SensoTech - Manual controlled defrost freezer - Visual signal for high temperature in freezer: red signal
Features	<ul style="list-style-type: none"> - FastFreeze 	<ul style="list-style-type: none"> - FastFreeze - Self closing door hinge
Equipment of refrigerator		
Equipment of freezer	<ul style="list-style-type: none"> - 3 drawers for storage of frozen food - Drawers for freezing: 1 	<ul style="list-style-type: none"> - 2 baskets for storage of frozen food
Technical data	<ul style="list-style-type: none"> - Energy consumption kWh/24h: 0.512 kWh - Energy consumption kWh/year: 187 kWh - Level of noise (max.): 40 dB(A)re 1 pW - Product dimensions (HxWxD): 87.5 × 54 × 54.5 cm - Niche dimensions min-max (HxWxD): 87.5-88 × 56-57 × 55 cm - EAN code: 3838942819452 - Product code: 393926 	<ul style="list-style-type: none"> - Energy consumption kWh/24h: 0.487 kWh - Energy consumption kWh/year: 178 kWh - Level of noise (max.): 41 dB(A)re 1 pW - Product dimensions (HxWxD): 82 × 59.6 × 54.5 cm - Niche dimensions min-max (HxWxD): 82-90 × 60 × 55 cm - EAN code: 3838942861130 - Product code: 407392





A PERSONAL WASHER FOR SHINY DISHES

Dishwashers

Cooking and dining with family or friends is the pleasant part; doing the dishes – not so much. Gorenje dishwashers will help you with this tedious chore, leaving you with more time for more pleasant things in life. The dishes will be spotlessly clean even when food residue is dried and stubborn. Interior is conveniently laid out to allow space for washing larger amounts of dishes. Needless to say, Gorenje dishwashers are also friendly to the environment and your family budget.



SpaceDeluxe
Extra spacious interior

A convenient third basket allows washing up to 14 place settings worth of dishes at a time. It provides plenty of space for short and long utensils and coffee cups. Optimum layout affords better washing results, simple use, and puts the entire washing surface to use.



Adjustable baskets
Room for all shapes and sizes

Upper and lower baskets are adjustable to accommodate dishes of all shapes and sizes. The plate rack in the lower basket can be folded to allow more space for larger items. The lower basket also holds a special cutlery basket. The height of the upper basket is adjustable and it is also suitable for washing of the delicate stemware.



ClickClack system
Adjusted to every single pot

Upper basket height can be set to several levels. This is a simple solution for washing larger pots, pans, plates, or glasses.



Long utensils
No dropping through the baskets

Advanced models feature a special support in the upper basket to accommodate long utensils.



AUTO programme
Party for two or twelve – the dishes will be spotlessly clean

This programme is intended for daily washing. Sensors control the cleanliness of water to make sure the dishes are cleaned with optimum use of water, energy, and time.



QuickWash function
Clean dishes in half the time

This function will automatically adjust the temperature and amount of water to deliver optimum cleaning and drying results in the shortest possible time.



Delayed start

Some dishwasher models allow delaying the start of the wash by up to 24 hours. This allows you to take advantage of the lower electricity rates.



Economical use of water

Dishwashers use up to 40% less water than the conventional models. High end models only use 10 litres with the Eco programme.



A++

High-end dishwashers are highly power-efficient and therefore economical. Top models are rated in energy class A++, which means they use 40% less power than the A-class models.



ExtremeSilence

Advanced dishwasher model are no louder than a quiet chat. Their nominal noise level is 47 dB.



Self-cleaning filter

The automatic filter cleaning system washes out the food residues to prevent the filter from clogging, and thereby also any problems or errors.



Stainless steel interior

Dishwasher interior is made of stainless steel, which makes maintenance easier and useful life longer.



AquaStop

In case of water spillage, the AquaStop safety system will automatically shut off the water supply to the hose and the machine, and the pump will pump out the remaining water from the dishwasher tub into the drain hose. Thus, the dishwasher may be left to operate at night or while nobody is at home, without any fear from flooding.






GV 63315 UK

Integrated dishwasher

Exclusive Line



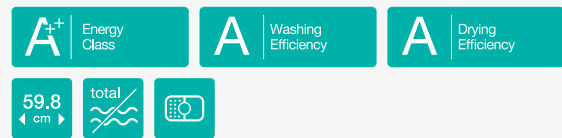
- Colour: White




GV 61214 UK

Integrated dishwasher

Classic Line



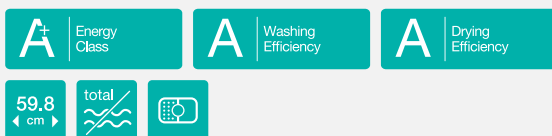
- Colour: White

Efficiency	- Max. temperature of inflow water: 60 °C	- Max. temperature of inflow water 60 °C
Control	- Selected programme indicator - On/Off indicator	- Selected programme indicator - On/Off indicator
Programmes	- Washing temperature(s): 40, 50, 55, 60, 65 °C - 8 programmes: Normal; Half load; Automatic programme: 1; Sensitive programme; Programme for glass; Intensive programme; Eco programme; Quick intensive programme; Quick programme; Soaking - Reference programme: 4	- Washing temperature(s): 40, 50, 62, 65 °C - 6 programmes: Normal; Half load; Sensitive programme; Intensive programme; Eco programme; Quick intensive programme; Quick programme - Reference programme: 3
Features	- SpaceDeluxe - 14 place settings - Function 3 in 1 - Selected programme indicator - Visual indicator for wash finish on control panel - Voice signal for the end of washing cycle - Time remaining indicator	- 12 place settings - Function 3 in 1 - Selected programme indicator - Visual indicator for wash finish on control panel - Voice signal for the end of washing cycle
UseLogic technology	- Start delay up to 24 hours	- Variable start delay up to 3/6/9 hours
Equipment	- Number of baskets: 3 - Variable top basket - Upper basket system: Click Clack system - Basket with handle - Foldable bottom plate baskets - Number of water jet levels: 5 - Number of sprinkle hands: 3 - Selfcleaning filter	- Number of baskets: 2 - Variable top basket - Basket with handle - Foldable bottom plate baskets - Number of water jet levels: 4 - Number of sprinkle hands: 2 - Selfcleaning filter
Safety	- Total AquaStop - Service diagnostics - Stainless steel tub	- Total AquaStop - Service diagnostics - Stainless steel tub
Consumption data (IEC standard EN 50242)	- Water consumption: 10 l - Energy consumption - normal program: 0.93 kWh - Energy consumption kWh/year: 266 kWh - Estimated annual water consumption: 2800 l	- Water consumption: 12 l - Energy consumption - normal program: 1.02 kWh - Energy consumption kWh/year: 291 kWh - Estimated annual water consumption: 3360 l
Technical data	- Height setting: 50 mm - Level of noise (max.): 47 dB(A)re 1 pW - Product dimensions (HxWxD): 81.5 × 59.8 × 55 cm - Niche dimensions (HxWxD): 82 × 60 × 58 cm - EAN code: 3838942040832 - Product code: 494283	- Height setting: 60 mm - Level of noise (max.): 49 dB(A)re 1 pW - Product dimensions (HxWxD): 81.5 × 59.8 × 55 cm - Niche dimensions (HxWxD): 82 × 60 × 58 cm - EAN code: 3838942032820 - Product code: 490432



GV 60110 UK Integrated dishwasher

Classic Line



- Colour: White

Efficiency	- Max. temperature of inflow water: 60 °C
Control	- Selected programme indicator - On/Off indicator
Programmes	- Washing temperature(s): 55, 50, 40 °C - 3 dishwashing programmes: Intensive programme; Eco programme; Quick programme - Reference programme: 2
Features	- 12 place settings - Function 3 in 1 - Selected programme indicator - Visual indicator for wash finish on control panel - Voice signal for the end of washing cycle
UseLogic technology	
Equipment	- Number of baskets: 2 - Variable top basket - Number of water jet levels: 4 - Number of sprinkle hands: 2 - Selfcleaning filter
Safety	- Total AquaStop - Service diagnostics - Stainless steel tub
Consumption data (IEC standard EN 50242)	- Water consumption: 12 l - Energy consumption - normal program: 1.02 kWh - Energy consumption kWh/year: 291 kWh - Estimated annual water consumption: 3360 l
Technical data	- Height setting: 50 mm - Level of noise (max.): 52 dB(A)re 1 pW - Product dimensions (HxWxD): 81.5 × 59.5 × 54 cm - Niche dimensions (HxWxD): 82 × 60 × 58 cm - EAN code: 3838942353383 - Product code: 458259




GV 53315 UK

Integrated dishwasher

Exclusive Line



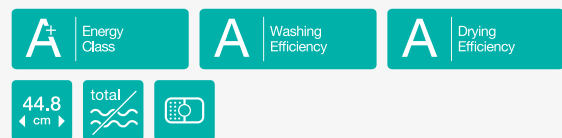
- Colour: White




GV 51214 UK

Integrated dishwasher

Classic Line



- Colour: White

Efficiency	- Max. temperature of inflow water: 60 °C	- Max. temperature of inflow water: 60 °C
Control	- Selected programme indicator - On/Off indicator	- Selected programme indicator - On/Off indicator
Programmes	- Washing temperature(s): 40, 50, 55, 60, 65 °C - 8 programmes: Normal; Half load; Automatic programme: 1; Sensitive programme; Programme for glass; Intensive programme; Eco programme; Quick intensive programme; Quick programme - Reference programme: 4	- Washing temperature(s): 40, 50, 62, 65 °C - 6 programmes: Normal; Half load; Sensitive programme; Intensive programme; Eco programme; Quick intensive programme; Quick programme - Reference programme: 3
Features	- 10 place settings - Function 3 in 1 - Selected programme indicator - Visual indicator for wash finish on control panel - Voice signal for the end of washing cycle - Time remaining indicator	- 9 place settings - Function 3 in 1 - Selected programme indicator - Visual indicator for wash finish on control panel - Voice signal for the end of washing cycle
UseLogic technology	- Start delay up to 24 hours	- Variable start delay up to 3/6/9 hours
Equipment	- Number of baskets: 3 - Variable top basket - Upper basket system: Click Clack system - Basket with handle - Number of water jet levels: 5 - Number of sprinkle hands: 3 - Selfcleaning filter	- Number of baskets: 2 - Variable top basket - Basket with handle - Foldable bottom plate baskets - Number of water jet levels: 4 - Number of sprinkle hands: 2 - Selfcleaning filter
Safety	- Total AquaStop - Service diagnostics - Stainless steel tub	- Total AquaStop - Service diagnostics - Stainless steel tub
Consumption data (IEC standard EN 50242)	- Water consumption: 8.5 l - Energy consumption - normal program: 0.75 kWh - Energy consumption kWh/year: 211 kWh - Estimated annual water consumption: 2380 l	- Water consumption: 9 l - Energy consumption - normal program: 0.77 kWh - Energy consumption kWh/year: 220 kWh - Estimated annual water consumption: 2520 l
Technical data	- Height setting: 50 mm - Level of noise (max.): 47 dB(A)re 1 pW - Product dimensions (HxWxD): 81.5 × 44.8 × 55 cm - Niche dimensions (HxWxD): 82 × 45 × 58 cm - EAN code: 3838942040825 - Product code: 494281	- Height setting: 60 mm - Level of noise (max.): 49 dB(A)re 1 pW - Product dimensions (HxWxD): 81.5 × 44.8 × 55 cm - Niche dimensions (HxWxD): 82 × 45 × 58 cm - EAN code: 3838942800283 - Product code: 414076



WI 73140

Integrated washing machine



- Colour: White



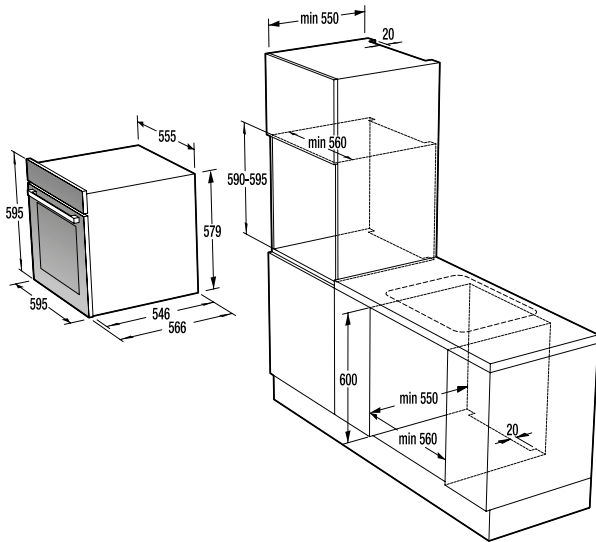
WDI 73120 HK

Integrated washer-dryer



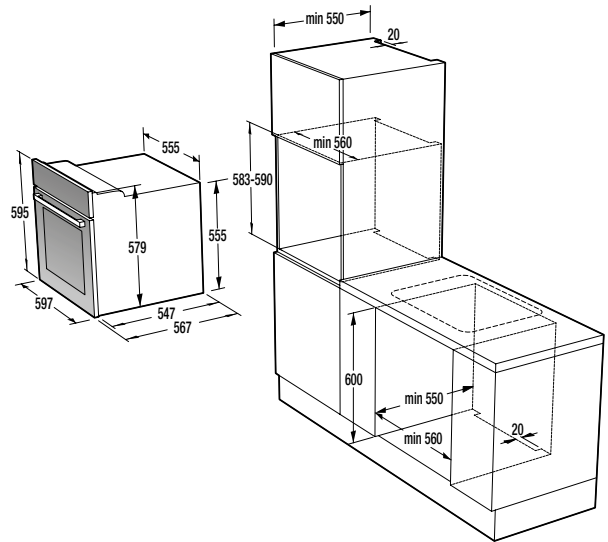
- Colour: White

Efficiency	<ul style="list-style-type: none"> - Standard collector motor - Spin speed: 1400 rpm - Washer load: 1-7 kg 	<ul style="list-style-type: none"> - Spin speed: 1200 rpm - Washer load: 1-7 kg - Dryer load: 1-4 kg - Door opening angle: 110 °
Control	<ul style="list-style-type: none"> - LED display - Presetting time delay of start - Adjustable spin speed - Temperature setting - Preset washing EndTime - Cold wash: Knob 	<ul style="list-style-type: none"> - LED display - Temperature setting - Start delay: 24h - Audio signal SoftSound
Programmes washing	<ul style="list-style-type: none"> - 15 programmes 	<ul style="list-style-type: none"> - 15 programmes (13 washing and 2 drying programs) - Functions Phase indicator, Start delay: 24 h, Easy ironing, Spinning stop control - Basic programmes: Cotton, Synthetics, Delicate, Wool - Extra programmes: Rinsing, Water pump, Spinning
Special programmes washing	<ul style="list-style-type: none"> - Eko 20°C - Quick-wash 15' - Sport, Shirts - Easy ironing: Button 	<ul style="list-style-type: none"> - Button - Intensive washing - Cold wash: Knob - Extra rinsing
Features	<ul style="list-style-type: none"> - Selfcleaning filter - Audio signal SoftSound - Cold water connection 	<ul style="list-style-type: none"> - Pump STOP - Audio signal SoftSound - Shower system
Safety and durability	<ul style="list-style-type: none"> - Child protection (CDP) - Carbotech tub 	<ul style="list-style-type: none"> - Child protection (CDP) - Time-attendance door lock - Carbotech tub
Technical data	<ul style="list-style-type: none"> - Energy consumption kWh/year: 218 kWh - Annual water consumption: 10340 l - Level of noise (max.): 72 dB(A)re 1 pW - Product dimensions (HxWxD): 82 × 59.6 × 56 cm - Niche dimensions (HxWxD): 82 × 60 × 58 cm - EAN code: 3838942730559 - Product code: 466340 	<ul style="list-style-type: none"> - Energy consumption kWh/year: 238 kWh - Annual water consumption: 9400 l - Level of noise (max.): 70 dB(A)re 1 pW - Product dimensions (HxWxD): 82 × 59.6 × 56 cm - Niche dimensions (HxWxD): 82 × 60 × 58 cm - EAN code: 3838942320651 - Product code: 457255



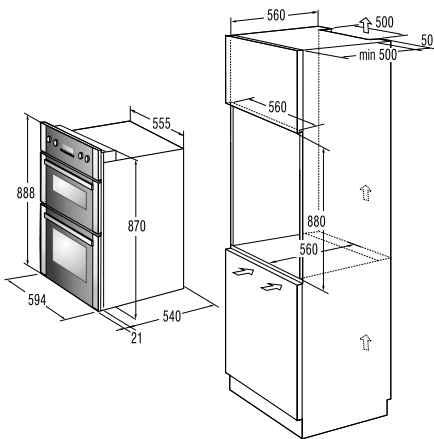
BO... // BOP... - Superior Line

See pages 14-15



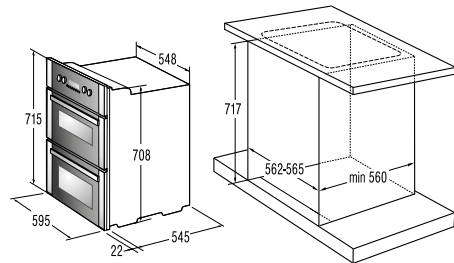
BO... // BOP... - Advanced Line, Essential Line

See pages 16-19



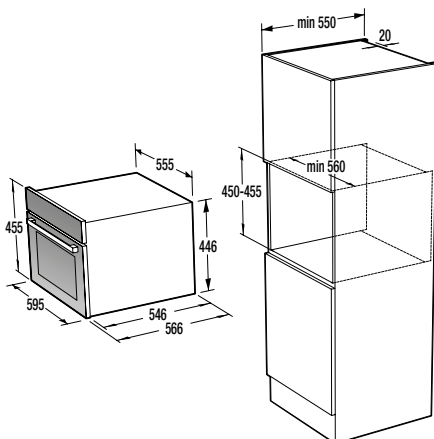
BD ...

See pages 20-21



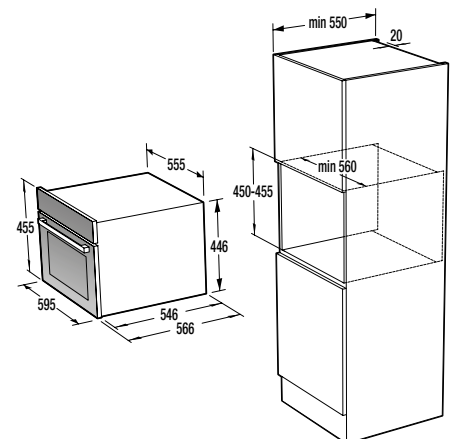
BDU ...

See pages 20-21



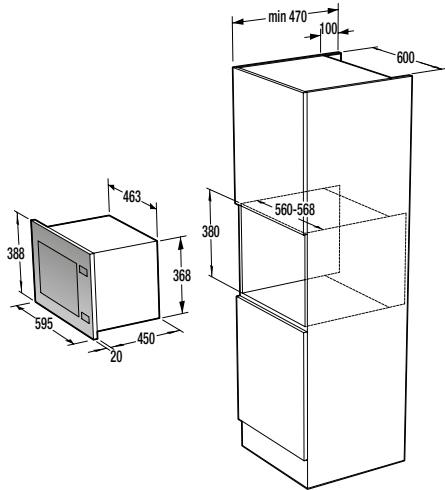
BO 547 S10X

See page 16



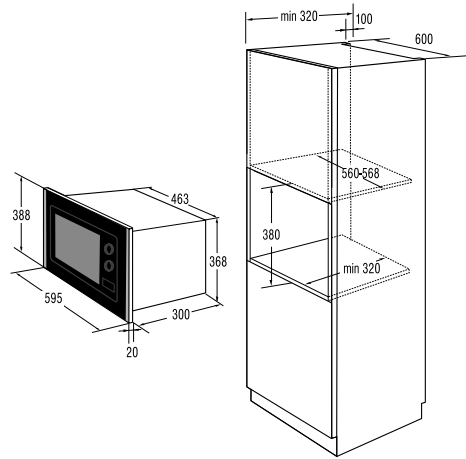
BCM 547 S12X

See page 25

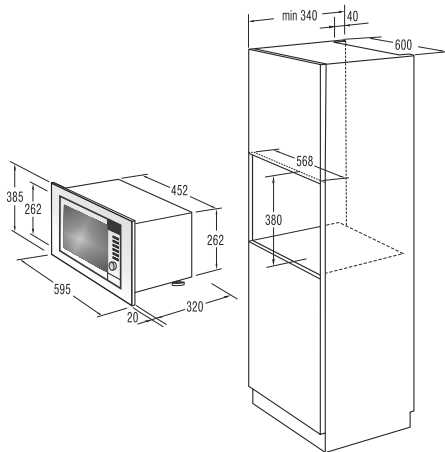


BM 251 S7XG

See page 25

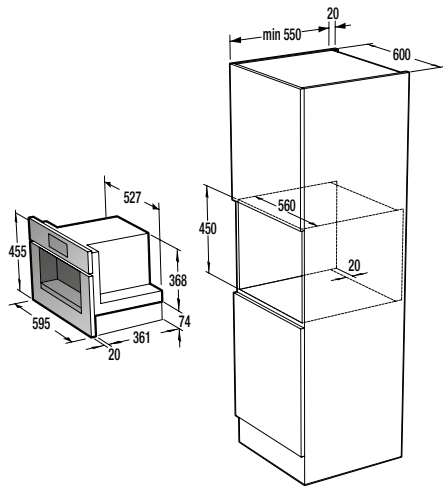


BM 171 E2XG / BM 171 E2X / BM 171 A4XG See pages 26-27



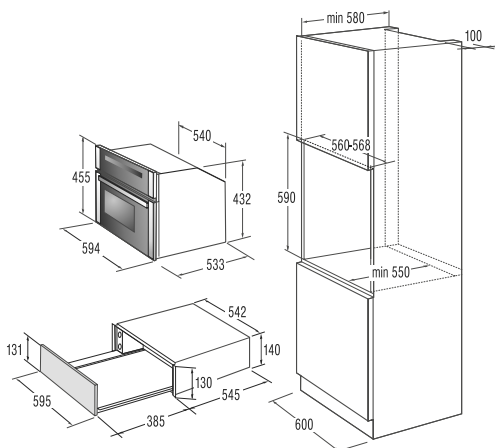
BM 2140 X

See page 27



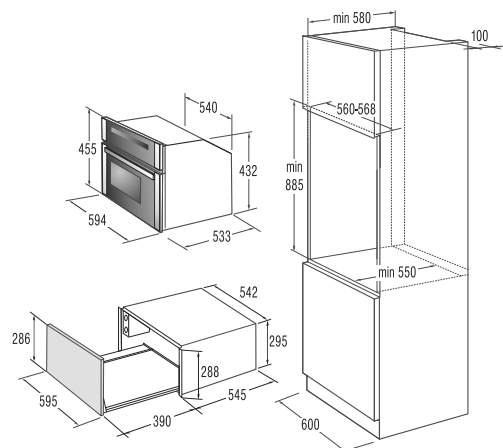
CMA 9200 UX

See page 32



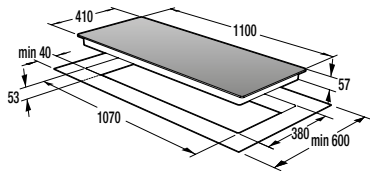
UWD 1400 X

See page 33



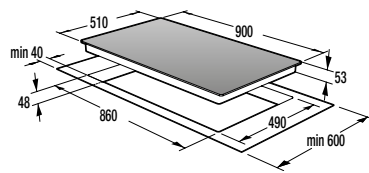
UWD 3000 X

See page 33



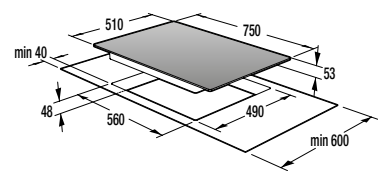
IT 1141 AC

See page 42



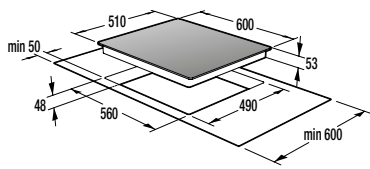
IT 984 USC

See page 42



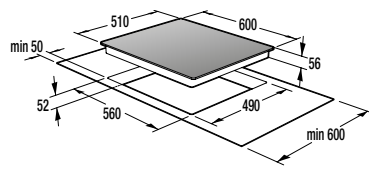
IS 777 USC

See page 43



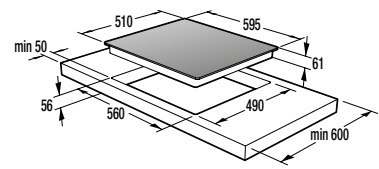
IS 677 USC

See page 43



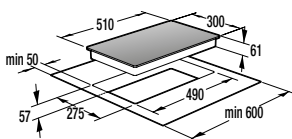
IQ 634 USC

See page 44



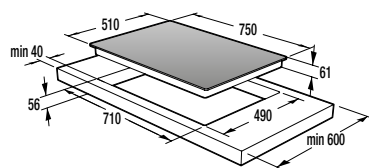
IT 635 SC

See page 44



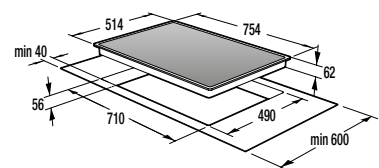
IT 332 CSC

See page 45



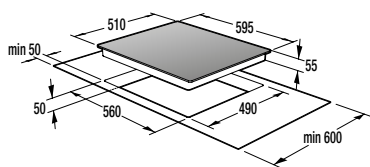
IT 734 CSC

See page 45



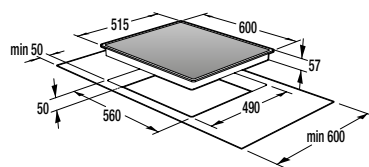
IT 734 X

See page 46



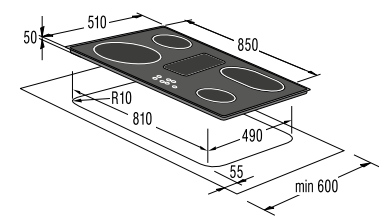
IT 614 CSC

See page 46



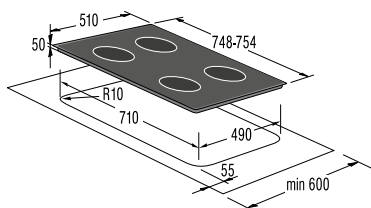
IT 614 X

See page 47



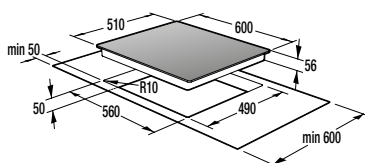
ECS 880 USC

See page 48



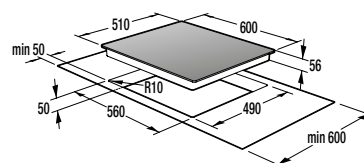
ECS 780 USC

See page 48



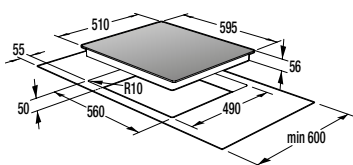
ECS 680 USC

See page 49



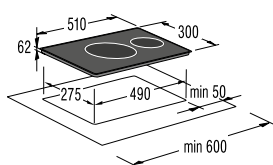
ECT 693 CSC

See page 50



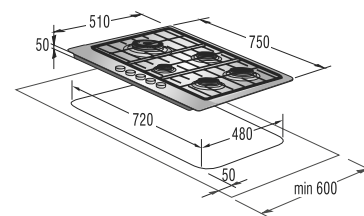
ECT 610 SC

See page 50



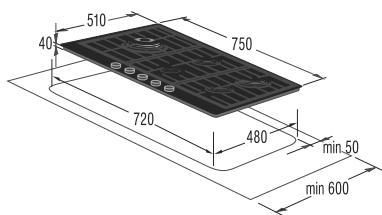
ECT 330 CSC

See page 51



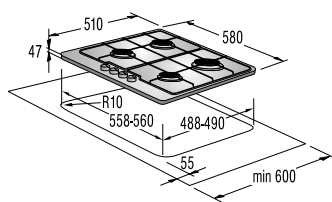
GW 761 UX

See page 52



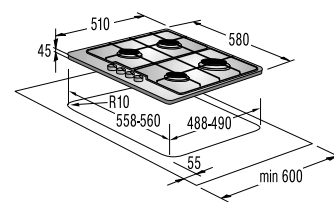
GTW 761 UB

See page 52



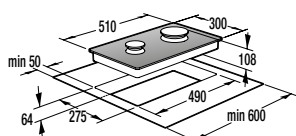
GW 6N 41XUK

See page 53



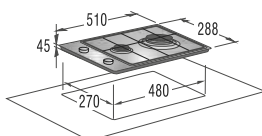
**G 6N 41XUK/
G 6N 41WUK/41IBUK**

See pages 53-54



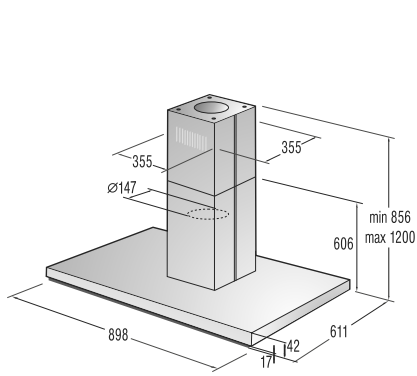
GC 341 UC

See page 55

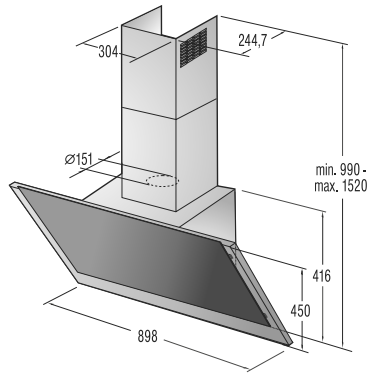


G 340 UX

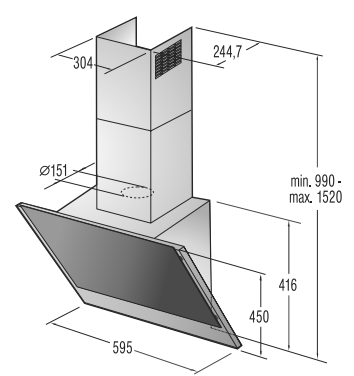
See page 55



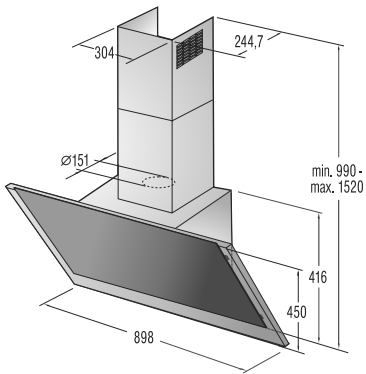
IHT 961 S2XUK See page 60



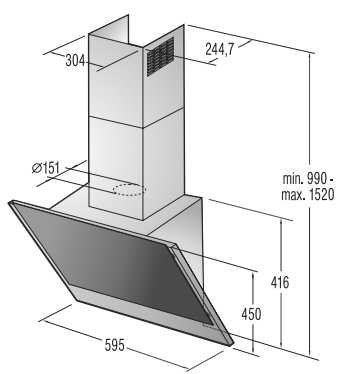
WHI 961 S2XUK See page 61



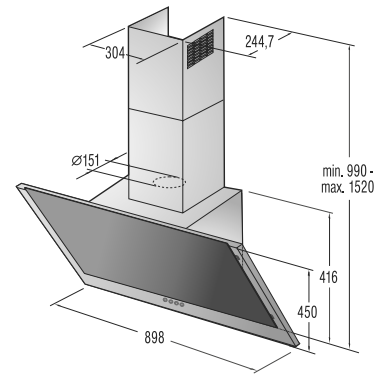
WHI 661 S2XUK See page 61



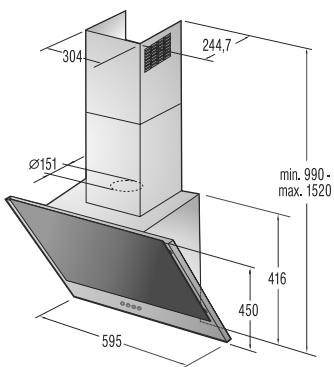
WHI 951 S1XGBUK See page 62



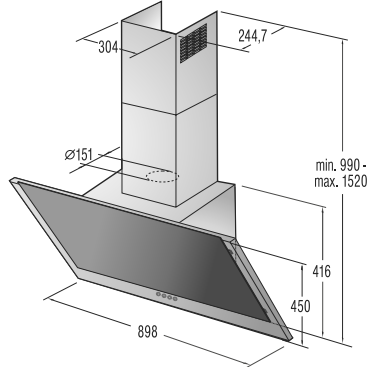
WHI 651 S1XGBUK See page 62



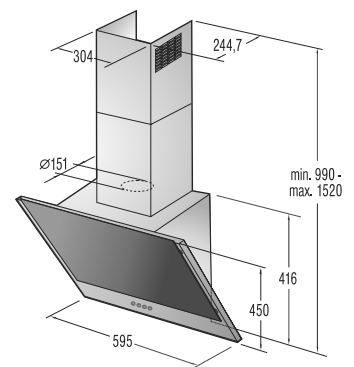
WHI 921 E3BUK See page 63



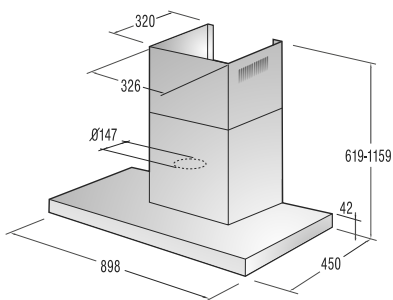
WHI 621 E3BUK See page 63



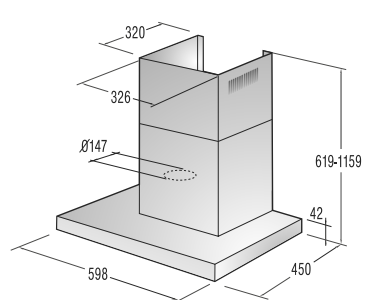
WHI 921 E1XGBUK See page 64



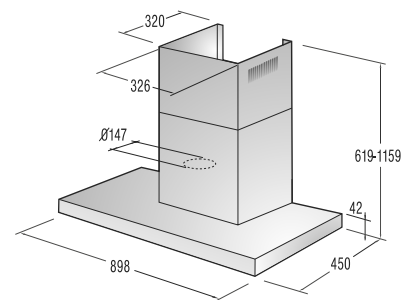
WHI 621 E1XGBUK See page 64



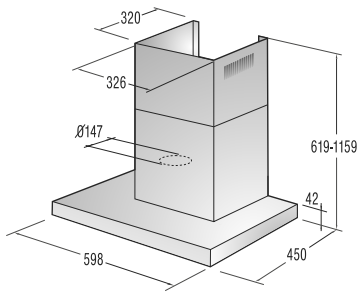
WHT 921 E3XBGUK See page 65



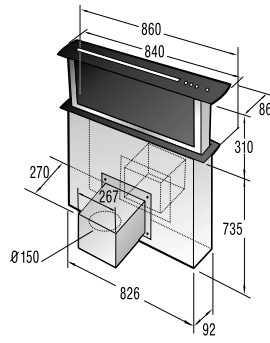
WHT 621 E3XBGUK See page 65



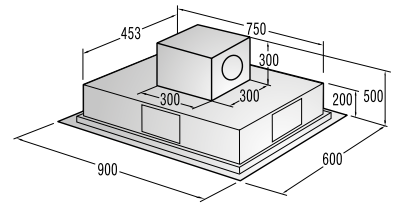
WHT 921 E5XUK See page 66



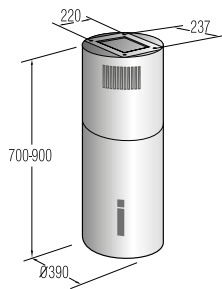
WHT 621 E5XUK See page 66



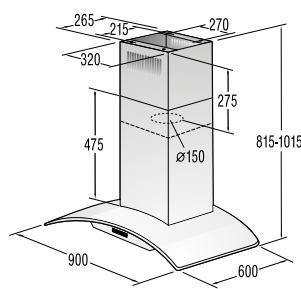
DFGA 9575 BX See page 67



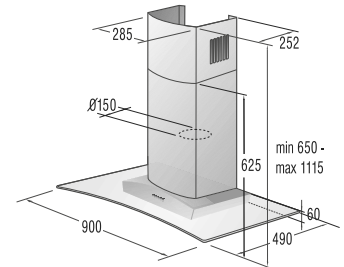
DC 9635 X See page 67



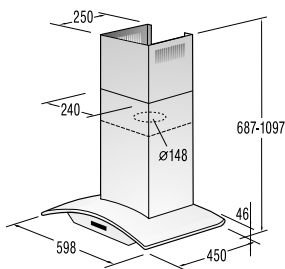
IDR 4545 XUK See page 68



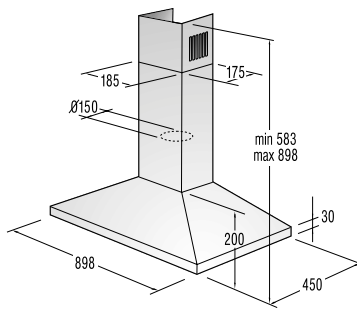
IDKG 9545 XUK See page 68



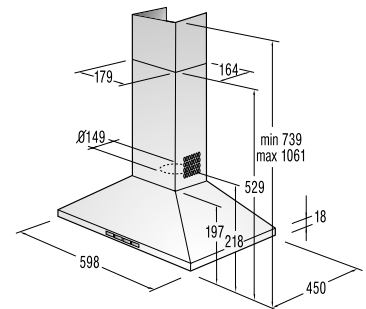
DKG 9335 E See page 69



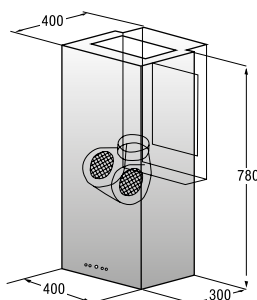
DKG 6315 X-UK See page 69



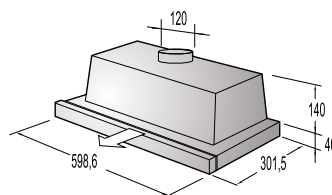
DK 9335 X See page 70



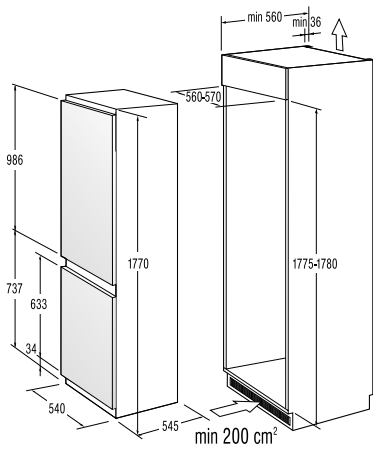
DK 6315 X See page 70



DQ 4446 X-UK See page 71

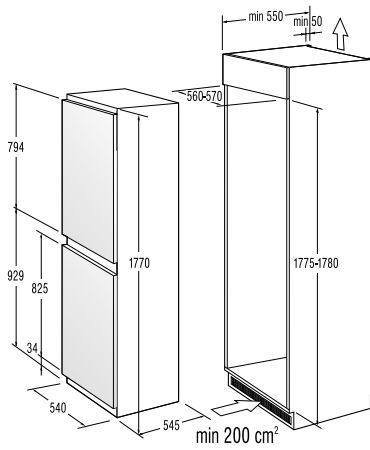


DF 6315 X See page 71



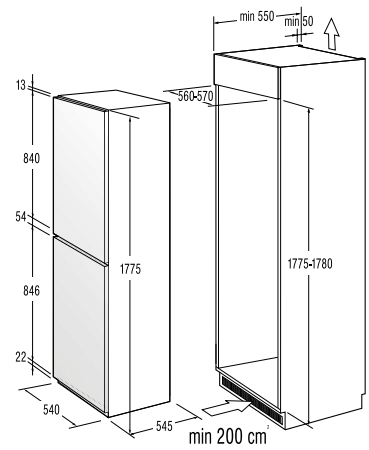
NRKI 4181 CW

See page 76



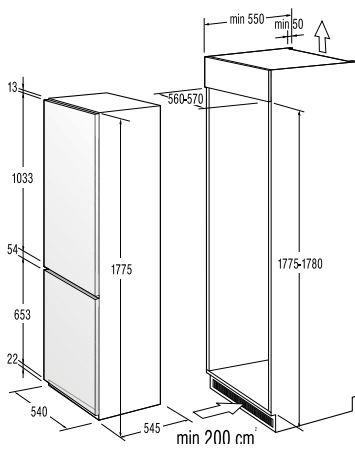
NRCI 4181 CW

See page 76



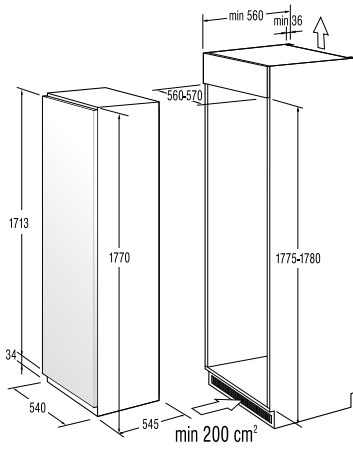
RKI 4181 AWV

See page 77



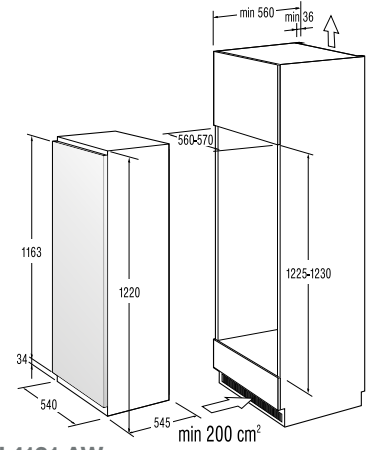
RCI 4181 AWV

See page 77



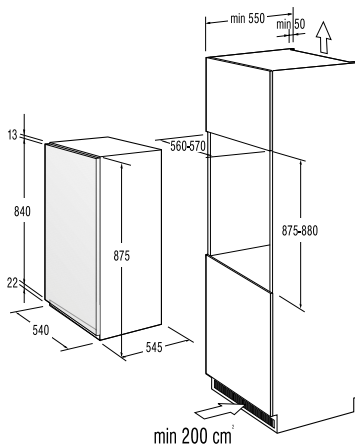
RI 4181 AW

See page 78



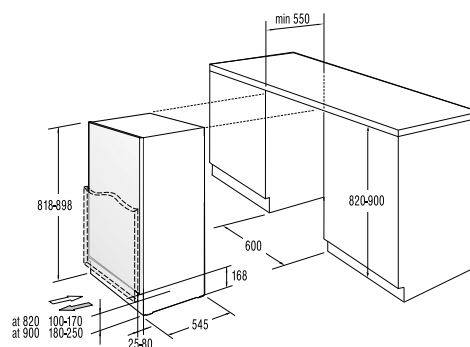
**RI 4121 AW
RBI 4121 AW**

See pages 78-79



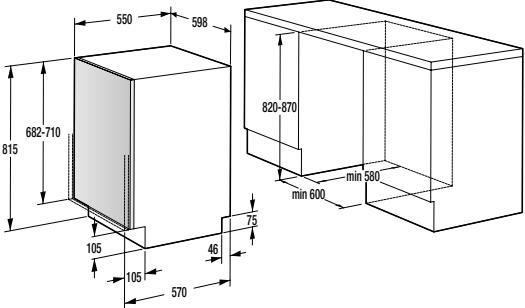
**RI 4091 AW
FI 4091 AW**

See pages 79, 81

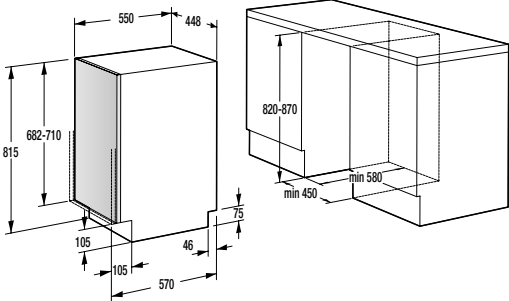


RIU 6091 AW / RBIU 6091 AW / FIU 6091 AW

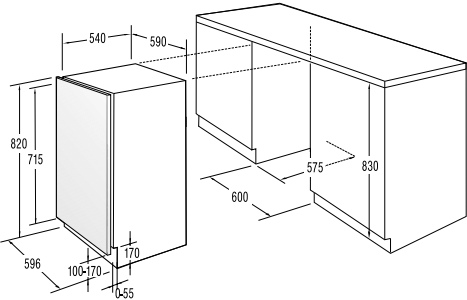
See pages 82-83



GV 63315 UK / GV 61214 UK / GV 60110 UK See pages 86-87























GV 53315 UK / GV 61214 UK See page 88



WI 73140 / WDI 73120 See page 89

Built-in ovens

	HomeMade oven
	GentleClose door hinge
	BigSpace, large oven capacity
	SuperSize baking area
	Telescopic oven guides - 3 levels
	Telescopic oven guides - 2 levels
	Telescopic oven guides - 1 level
	Quadruple glazed oven door with double heat deflector (UltraCoolDoorQuadro)
	Triple glazed oven door with double heat deflector (UltraCoolDoor)
	Triple glazed oven door with one heat deflector (CoolDoor)


	Double glazed oven door with one heat deflector (CompactDoor)
	Dynamic oven cooling plus DC+
	Dynamic oven cooling DC
	Upper & lower heater
	Lower heater
	Upper heater
	Fan
	Circular heater and fan
	Large infra grill
	Small grill

	Large infra grill and fan
	Lower heater and fan
	Lower heater with circular heater and fan
	Defrosting
	FastPreheat
	AquaClean
	StayWarm, keeping dishes warm
	WarmPlate, for professional service
	Auto roast
	Pyrolyse








Microwave ovens

	Inverter technology
	Stirrer technology






	Microwaves
	Grill

	Microwaves + grill
	Microwaves + circular heater + fan




Built-in hobs




	IQcook
	IQsteam
	IQboil
	IQpro
	IQpoach
	IQgrill
	XpandZone

	BridgeZone
	FishZone
	SmartControl
	SliderTouch
	Touch control
	SuperSilent
	PowerBoost Supreme, faster heating and cooking

	PowerBoost, faster heating and cooking
	BoilControl prevents the food from boiling over
	SoftMelt melting food at low temperature
	StayWarm function
	StopGo function
	ChildLock
	Wok gas burner



Cooker hoods

	SliderTouch
	Touch control
	AdaptTech venting: Memorizing intelligent system


	AdaptAir technology
	Perimetric suction
	Filters (Washable aluminium with polyurethane foam)

	Timer function
	TouchFree coating

Cooling



	NoFrost DualAdvance
	Fan-assisted cooling in fridge


	SuperCool function for rapid cooling of a major quantity of food
	FreshZone drawer

	FastFreeze - rapid food freezing
---	----------------------------------


Integrated dishwashers




	Total AquaStop, total spill protection
	SpaceDeluxe- 14 place settings

	Function 3 in 1
	MultiClack system


	StartDelay 24h in advance
---	---------------------------

Integrated washing & drying machines

	Washer load 1-7 kg
	Dryer load 1-4 kg
	Spin speed 1400 rpm

	Spin speed 1200 rpm
	LED display
	CarboTech tub material

	Low temperature wash 20 °C
---	----------------------------

	StartDelay 24h in advance
---	---------------------------

FREE 5-YEAR PARTS AND LABOUR GUARANTEE

Once you make your purchase you will need to register your appliance either online or over the phone, to register your Gorenje appliance online please visit our website www.gorenje.co.uk and go to "registration" OR to register over the phone please call **020 8247 3980**

Gorenje offer a free 5 year parts and labour guarantee on selected built in ovens, hoods, built in cooling and selected freestanding cooling and washing products. Please check our website for individual product warranties.

This guarantee shows our confidence in our technology and excellent product quality, all Gorenje appliances not covered by a 5 year guarantee get a free 2 year parts and labour guarantee.

AFTER SALES SUPPORT

Once you have bought a Gorenje appliance you can relax knowing that in unlikely event of a fault occurring, you can rely on us to look after your appliance. If you are experiencing problems and require customer support please contact our Service Hotline on:

0844 557 9000
(Republic of Ireland: 01 8835622)

Please have all your appliance details and date of purchase ready in order for your call to be dealt with efficiently.

Service Hotline opening times:

- Monday - Friday 8am - 6pm
- Saturday 9am - 4pm
- Sunday 11am - 3pm

gorenje

GORENJE UK Ltd
Tuition House
27-37 St George's Road
London
SW19 4EU
T 020 8247 39 80
F 020 8247 39 99
E info.uk@gorenje.com
www.gorenje.co.uk

www.parsital.com