

PRODUCT CATALOGUE 2020

FIRST-CLASS COMPONENTS FOR THE
SANITARY INDUSTRY





SMART WEBSITE

Sedal introduces its new website with lots of new features. Automated tools, easy navigation menus, intuitive filters and accessible information make this website the smartest we have ever had.

With this website renovation, Sedal continues its way to reach excellence in every detail. Continuous improvement is embedded in everything we do to offer the best user experience possible.

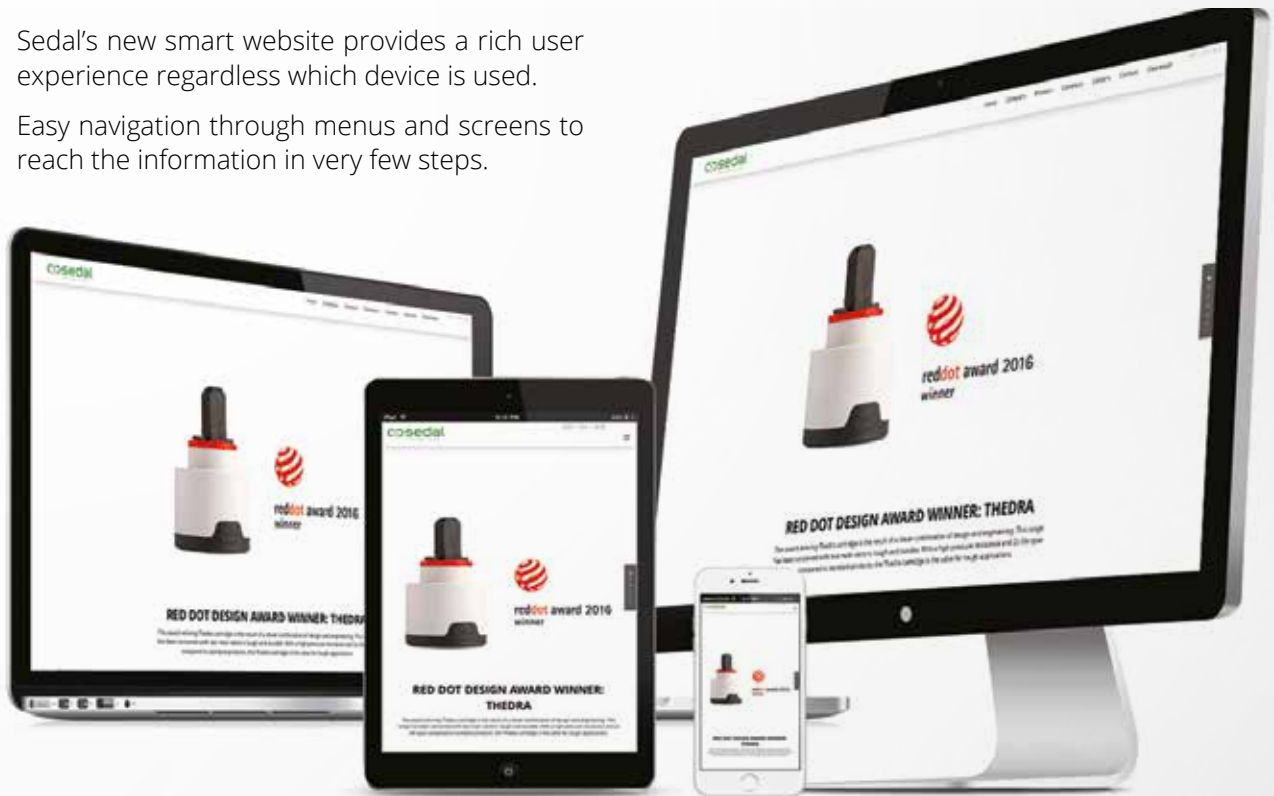
You are invited to visit www.sedal.com to feel the experience and quickly find the information you are looking for.



MULTI-PLATFORM SUPPORT

Sedal's new smart website provides a rich user experience regardless which device is used.

Easy navigation through menus and screens to reach the information in very few steps.



SMART PRODUCT SELECTOR


The new Smart Product Selector is an intuitive and powerful tool to find the product you are looking for just in a few seconds.

You can filter the product portfolio by family, size, type and functions and the system interactively displays the products that match your search. Once you finish the search you will be able to navigate or download the Data Sheet, request samples or ask for additional information from the product.



25_{MM}

MIXERS


SN		PAGE
	SN-25	16

ECOFLOW

	SN-25	22
---	-------	----

28_{MM}

MIXERS

SN		PAGE
	SN-28	32


SPECIALS

	REVOLVING	24
	DIVERTER	26
	JOYSTICK	28

UPPER SEALING

	UPPER SEALING	30
--	---------------	----

UPPER SEALING

	COMPACT	33
--	---------	----

35_{MM}

MIXERS

TOP

PAGE



EN-35

40

ENDURA

PAGE



SN-35

48



EN-35

56

STANDARD

PAGE



EN-35

68



SN-35

70



TRN-35

71

BASIC

PAGE



BG BASIC

72

ECO FLOW

PAGE



SN-35

74

TERMA CLICK

PAGE



TERMACLICK

76

DRY FAUCET

PAGE



BISO

80

SISO

82

SPECIALS



REVOLVING

84



DIVERTERS

88



JOYSTICK

92

UPPER SEALING



UPPER SEALING

94



DIRECT PLUG-IN

100



COMPACT

104

40_{MM}

MIXERS

THEDRA

PAGE



SN-40

122

STANDARD

PAGE



EN-40
E-40

130



SN-40

138



TRN-40

139

BASIC

PAGE



BG BASIC

140

ECOFLOW

PAGE



SN-40

142

HIGH FLOW

PAGE



GC-40

144



GC-45

148

SPECIALS

PAGE



REVOLVING

150



DIVERTER

154



JOYSTICK

156



PRESSURE BALANCE

158

UPPER SEALING

PAGE



UPPER SEALING

160



COMPACT

162

THERMOSTATIC CARTRIDGES

34&27_{MM}

TM001		PG
34MM		STANDARD 170
		LP 174
		BASIC 176
		COMPACT 178

TM006		PG
		STANDARD 180
		BASIC 184

HEADWORKS

METAL		PG
90° & 180°		BRASS 190
		STAINLESS STEEL 198

PLASTIC		PG
90° & 180°		PLASTIC 200

SHOWER DIVERTERS



SHOWER DIVERTERS
PG.206

METERING VALVES



SELF-CLOSING VALVES
PG.212

FLEXIBLE HOSES






FLEXIBLE HOSES
PG.218

SHOWER SYSTEMS

SUMMUM ONE

PG

CPUS		CPU iSCU TH_S 10	226
		CPU iSCU TH_S 20	228
		CPU iSCU TH_S 30	230






PG

INTERFACES		iSQUARE S	238
		iPLUS DOTS	240

SUMMUM

PG

CPUS		CPU IV2 20	232
		CPU IV2 30	234
		CPU IV2 40	236



PG

INTERFACES		iPLUS DOTS	240
------------	--	------------	-----

FAUCET SYSTEMS






DIGITAP

		PG	
CPUS		CPU iSCU TH_F	244








		PG	
INTERFACES		iSQUARE F	246
		iPLUG	248

HYDRON

		PG	
CONTROL BOX		SENSE	252
		DUAL SENSE	254
		iRED	256
		iRED+	258
		iRED-PRO	260



		PG	
INFRARED SENSORS		S1	262
		S2	262
		S3	262
		S4	262
		S5	262

		PG	
INFRARED SENSORS		S6	262
		S7	262
		S8	262
		S9	262

COMPANY: INNOVATING EVERYDAY

SEDAL Group is a leading global manufacturer of components for the faucet and sanitary industry. Founded in 1984, we have since then constantly grown and expanded our activities. Today we offer a wide range of products and solutions that meet the most demanding customer's requirements.

Headquartered in Spain, SEDAL is active in over 44 countries around the world, which provides us with a broad knowledge of the market. Following our vision, we pursue technical excellence in every single product we develop. Our team of engineers takes care of achieving new technical challenges to keep our customers satisfied. Deep know how in critical faucet components such as ceramic cartridges, headworks, thermostatic cartridges, flexible connections or diverters leads us to be the preferred supplier for some of the largest faucet manufacturers worldwide.

We invite you to learn more about our full product range on this catalogue and at www.sedal.com

SEDAL GROUP COMPANIES

cosedal
THE FAUCET'S HEART

sedal
CERAMICS

YOUR
TECHNICAL
CERAMICS
PARTNER

sedal
CONNECT





CARTRIDGES FOR SINGLE LEVER FAUCETS

The ceramic cartridge is the component giving the faucet its main functionalities. SEDAL develops a range of cartridges starting from entry level valves to specific designs to improve our customer productivity and give the consumer an excellent balance between features and user experience.

We have identified each specification with an icon that is displayed along with the product name and reference.








**25MM & 28MM
CARTRIDGES**

*FOR SINGLE
LEVER FAUCETS*


INDEX · 25 & 28MM CARTRIDGES

25_{MM}

SN

25MM		SN-25	METAL LEVER		CODE	PAGE
			✓	CD SD		
		COLD	✓	CD SD	08SN25L1503 08SN25S1503	18
		COLD MIRROR	✓	CD SD	08SN25L1504 08SN25S1504	20


ECOFLOW

25MM		SN-25	METAL LEVER		CODE	PAGE
			✓	CD SD	08SN25L0001 08SN25S0002	22

SPECIALS


25MM		REVOLVING GI-25	METAL LEVER		CODE	PAGE
			✓	SD		
		DIVERTER GD-25	✓	SD	08GD25FAZ00	26
		JOYSTICK JY-25	✓	SD	08JY25S1101	28

UPPER SEALING


25MM		UPPER SEALING GC-25	METAL LEVER		CODE	PAGE
			✓	SD SD CLO	08GC25S0009 08GC25S0012	30

28_{MM}

SN

28MM		SN-28	METAL LEVER		CODE	PAGE
			-	SD	08SN28S0002	32

UPPER SEALING

28MM		COMPACT EX-28	METAL LEVER		CODE	PAGE
			-	SD	08EX28L0002	33

SN-25

DESCRIPTION

New SN-25 cartridges from SEDAL have been designed to perform above standards including robust lever design, smooth operation and higher flow than previous versions, providing great value-added products for the faucet's manufacturer.

FEATURES



SOFT

Up to 40% softer lever operation than standard cartridges thanks to a clutched ceramic operation design.



LEVER VARIANTS

This cartridge allows different lever versions, such as metal lever.

ADVANTAGES

● IMPROVED PERFORMANCE

25mm cartridges are typically more sensitive to tough conditions, so we developed a new 25mm valve improving the technical specifications to achieve the best performance.

- +30% flow rate increase
- +20% smoothness operation torque
- -50% noise reduction

● MORE ENDURANCE

The application of new technologies inside our cartridges has extended SN-25 endurance:

- 1x ASME / EN life cycle
- Improved plastic material robustness
- +50% Increased torque resistance
- +30% Increased flexion resistance

● TOUGH CONSTRUCTION FOR SMALL FAUCETS DESIGN

The small size of SN-25 makes it specially suitable for slim design faucets, allowing the manufacturer to innovate with its design without giving up the high-performance and robustness of the product.

● DIFFERENT VERSIONS AVAILABLE

SN-25 cartridge is available with and without distributor. There is also a metal lever version compatible with C/D and S/D bases.

SN-25 C/D

REF. 08SN25LG000



SN-25 S/D

REF. 08SN25FG000



RECOMMENDED APPLICATIONS



WASHBASINS

Specially designed for washbasins.



SHOWERS

Specially designed for one outlet showers.



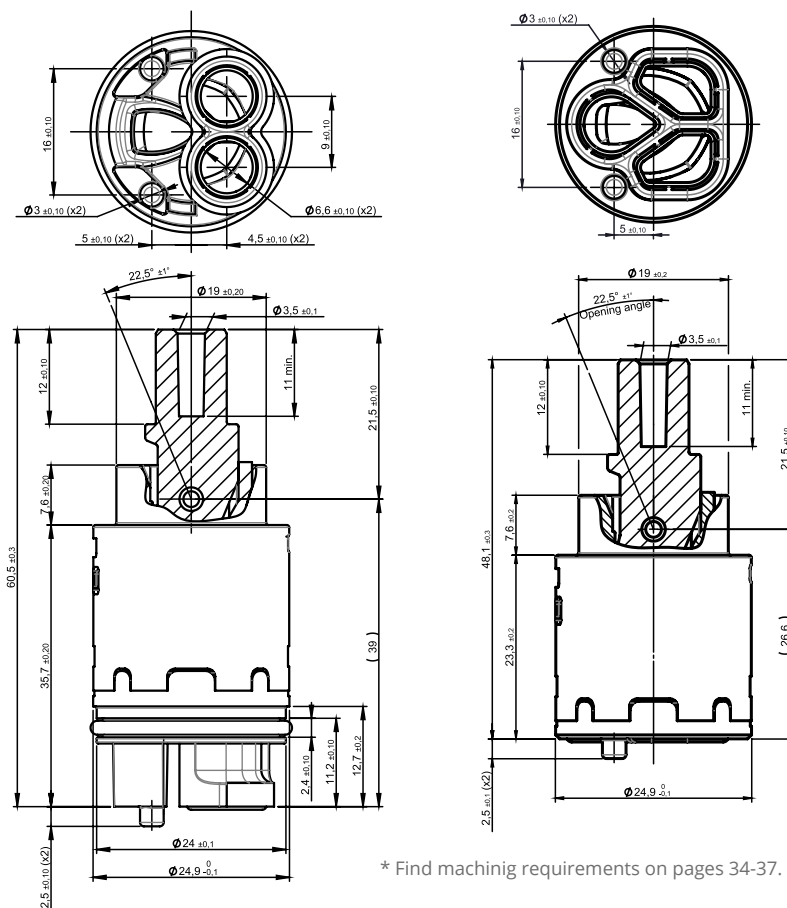
KITCHENS

Suitable for use in kitchens.

CERTIFICATIONS



DIMENSIONS



* Find machining requirements on pages 34-37.

TECHNICAL SPECIFICATIONS

General	C/D	S/D
Nut torque pitch M1.25	7-8Nm	7-8Nm
Opening angle	22.5°	22.5°
Rotation angle	90°	90°
Working pressure (recommended)	1 - 5 bar	1 - 5 bar
Burst pressure	>35 bar	>35 bar
Life cycle - EN 817	70,000 cycles	70,000 cycles
ASME 112.18.1 M	500,000 cycles	500,000 cycles
Sensitivity (r=45mm)	>12 mm	>12 mm
Fidelity	<5°C	<5°C
Constant 63°C & 50°C (6 l/min - 3 l/min)	<4°C - <6°C	<4°C - <6°C
Max. hot water*	90°C	90°C
Operation Torque	C/D	S/D
Open-close	0.20-0.40 Nm	0.20-0.40 Nm
Turn left-right	0.15-0.35 Nm	0.15-0.35 Nm
Flow rate (free flow)	C/D (basin)	S/D (basin)
at 0.2 bar	5 l/min	4.8 l/min
at 1 bar	10.5 l/min	10 l/min
at 3 bar	17.2 l/min	16.9 l/min
at 5 bar	23.5 l/min	21 l/min
Flow rate (free flow)	C/D (bath)	S/D (bath)
at 0.2 bar	5.6 l/min	3.2 l/min
at 1 bar	12.1 l/min	11.1 l/min
at 3 bar	20.8 l/min	19.1 l/min
at 5 bar	26.5 l/min	24.2 l/min

Only applies to officially listed products.
Tested at Sedal's lab with Sedal's standard faucet
*Peak or limited time condition.

SN-25

COLD

DESCRIPTION

New SN-25 cartridges from SEDAL have been designed to perform above standards including robust lever design, smooth operation and higher flow than previous versions, providing great value-added products for the faucet's manufacturer.

ADVANTAGES

- *ADDITIONAL FEATURES*
SN-25 Cold has the same advantages than SN-25, but with cold technology as an additional feature.

FEATURES



SOFT

Up to 40% softer lever operation than standard cartridges thanks to a clutched ceramic operation design.



LEVER VARIANTS

This cartridge allows different lever versions, such as metal lever.

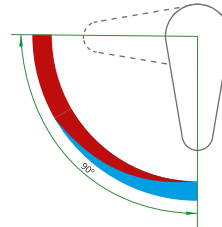


COLD

Energy saving feature thanks to the internal design of the cartridge, flowing cold water when the lever is centered.

- *COLD TECHNOLOGY*

The lever is in cold position by default, **saving up to 10% from the household energy consumption** related to plumbing products.



SN-25 C/D

COLD

REF. 08SN25L1503



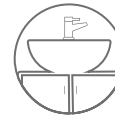
SN-25 S/D

COLD

REF. 08SN25S1503



RECOMMENDED APPLICATIONS



WASHBASINS
Specially designed for washbasins.

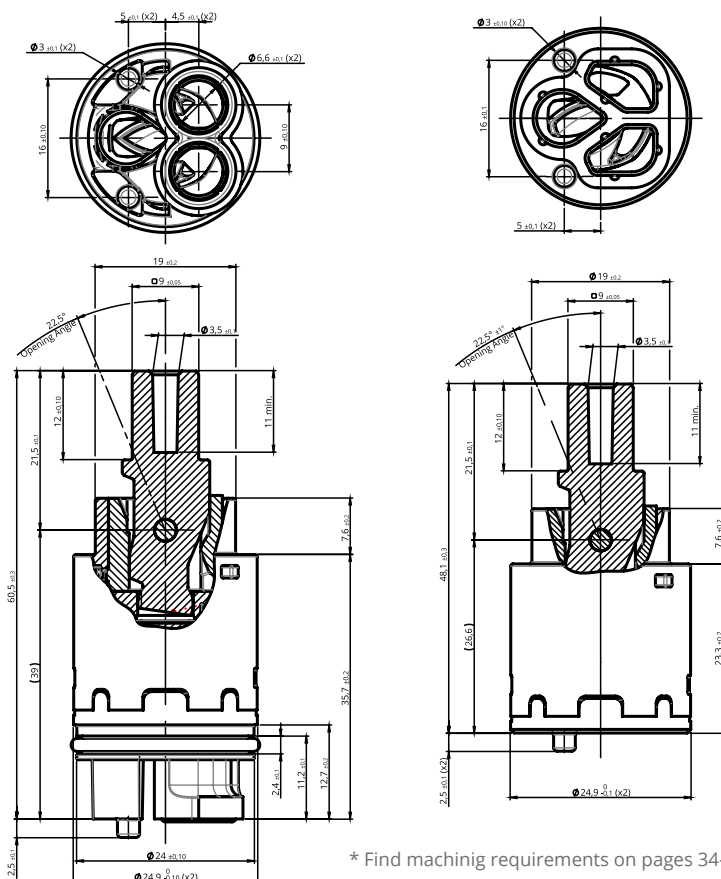


KITCHENS
Suitable for use in kitchens.

CERTIFICATIONS



DIMENSIONS



* Find machining requirements on pages 34-37.

TECHNICAL SPECIFICATIONS

General	C/D	S/D
Nut torque pitch M1.25	7-8Nm	7-8Nm
Opening angle	22.5°	22.5°
Rotation angle	90°	90°
Working pressure (recommended)	1 - 5 bar	1 - 5 bar
Burst pressure	>35 bar	>35 bar
Life cycle - EN 817	70,000 cycles	70,000 cycles
ASME 112.18.1 M	500,000 cycles	500,000 cycles
Sensitivity (r=45mm)	>12 mm	>12 mm
Fidelity	<5°C	<5°C
Constant 63°C & 50°C (6 l/min - 3 l/min)	<4°C - <6°C	<4°C - <6°C
Max. hot water*	90 °C	90 °C

Operation Torque	C/D	S/D
Open-close	0.20-0.40 Nm	0.20-0.40 Nm
Turn left-right	0.15-0.35 Nm	0.15-0.35 Nm

Flow rate (free flow)	C/D	S/D
at 0.2 bar	3 l/min	3.2 l/min
at 1 bar	7 l/min	7.4 l/min
at 3 bar	12 l/min	12.6 l/min
at 5 bar	15.30 l/min	16.1 l/min

Only applies to officially listed products.
Tested at Sedal's lab with Sedal's standard faucet
*Peak or limited time condition.

SN-25

COLD MIRROR

DESCRIPTION

New SN-25 cartridges from SEDAL have been designed to perform above standards including robust lever design, smooth operation and higher flow than previous versions, providing great value-added products for the faucet's manufacturer.

FEATURES



SOFT

Up to 40% softer lever operation than standard cartridges thanks to a clutched ceramic operation design.



LEVER VARIANTS

This cartridge allows different lever versions, such as metal lever.



COLD

Energy saving feature thanks to the internal design of the cartridge, flowing cold water when the lever is centered.



MIRROR

Movement from right to left to obtain hot water.

ADVANTAGES

ADDITIONAL FEATURES

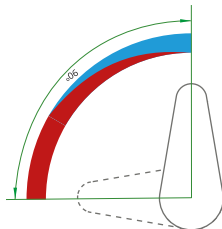
SN-25 Cold mirror has the same advantages than SN-25, but with cold mirror technology as an additional feature.

COLD TECHNOLOGY

The lever is in cold position by default, **saving up to 10% from the household energy consumption** related to plumbing products.

SPECIALLY DESIGNED FOR KITCHEN APPLICATIONS

Mirror version has been specifically designed for kitchen applications, avoiding the inconvenience of the handle touching the wall.



SN-25 C/D

COLD MIRROR

REF. 08SN25L1504



DOWNLOAD DATA SHEET

SN-25 S/D

COLD MIRROR

REF. 08SN25S1504

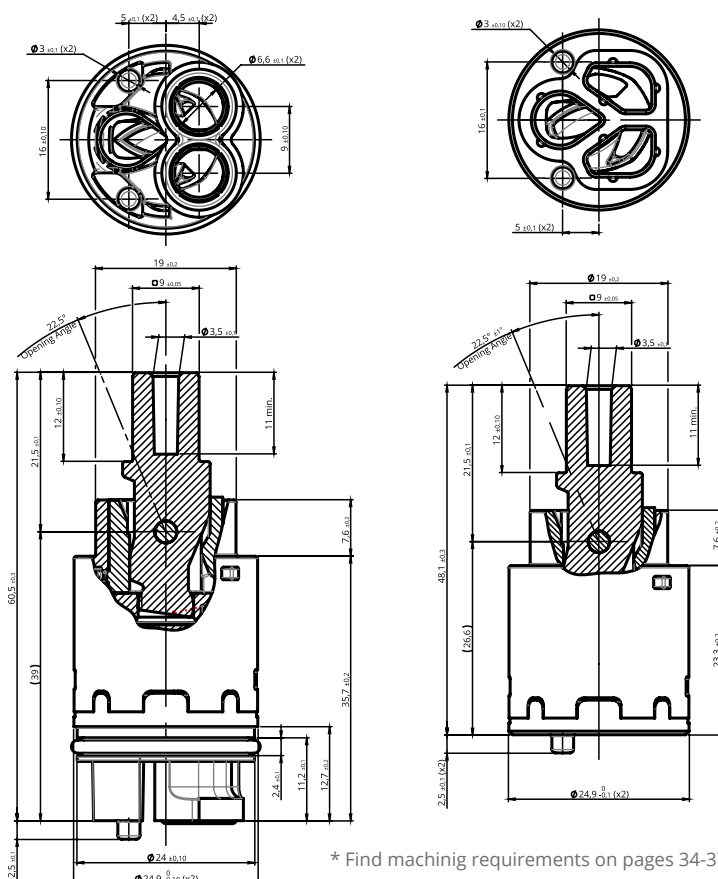


ALSO WITH METAL LEVER



DOWNLOAD DATA SHEET

DIMENSIONS



* Find machining requirements on pages 34-37.

RECOMMENDED APPLICATIONS



KITCHENS
Specially designed for kitchens.

CERTIFICATIONS



TECHNICAL SPECIFICATIONS

General	C/D	S/D
Nut torque pitch M1.25	7-8Nm	7-8Nm
Opening angle	22.5°	22.5°
Rotation angle	90°	90°
Working pressure (recommended)	1 - 5 bar	1 - 5 bar
Burst pressure	>35 bar	>35 bar
Life cycle - EN 817 ASME 112.18.1 M	70,000 cycles 500,000 cycles	70,000 cycles 500,000 cycles
Sensitivity (r=45mm)	>12 mm	>12 mm
Fidelity	<5°C	<5°C
Constant 63°C & 50°C (6 l/min - 3 l/min)	<4°C - <6°C	<4°C - <6°C
Max. hot water*	90 °C	90 °C

Operation Torque	C/D	S/D
Open-close	0.20-0.40 Nm	0.20-0.40 Nm
Turn left-right	0.15-0.35 Nm	0.15-0.35 Nm

Flow rate (free flow)	C/D	S/D
at 0.2 bar	3 l/min	3.2 l/min
at 1 bar	7 l/min	7.4 l/min
at 3 bar	12 l/min	12.6 l/min
at 5 bar	15.30 l/min	16.1 l/min

Only applies to officially listed products.
Tested at Sedal's lab with Sedal's standard faucet
*Peak or limited time condition.

SN-25

ECOFLOW

DESCRIPTION

Ecoflow cartridges have been designed for applications where a low flow is required to fulfill the latest standards and market trends. The low flow that a manufacturer would normally reach with the use of restrictors, can be reached by using the Ecoflow cartridge with an aireator, suppressing the negative effects of the current solutions. The Ecoflow 25 is specifically designed to deliver 5.5 liters @3 bar without using restrictors. It also includes a clutch for a perfect operational feel and a high maximum torque resistance to withstand harsh environments.

ADVANTAGES

- **SN TECHNOLOGY**
Ceramics discs do not move in close position providing a unique smoothness of operation and higher durability (up to 20% longer life).
- **IMPROVED FLOW-RATE VS HANDLE STROKE**
Existing solutions offer a very limited opening stroke to regulate the flow. With ECOFLOW, the entire stroke is available.



FEATURES



ECO
Cartridges identified with an ECO icon offer at least one environmental sustainability feature.



SOFT
Up to 40% softer lever operation than standard cartridges thanks to a clutched ceramic operation design.



REGULATIONS
This cartridge is optimized according to WaterSense and Water Label requirements.



RESTRICTOR
The cartridge includes itself a restrictor that reduces the flow rate to save water.

- **REDUCES TEMPERATURE FLUCTUATION**
When using a flow limiter in the spout combined with standard cartridges, the user can experience strong changes in water temperature. The new ECOFLOW Tech valves provide an excellent temperature stability in front of pressure variations in cold and hot water supply lines at low flow rates.



- **THE USAGE OF A RESTRICTOR IS OPTIONAL**
The flow rate reduction is carried out at the right place. With ECOFLOW the usage of a limiter or restrictor is optional.

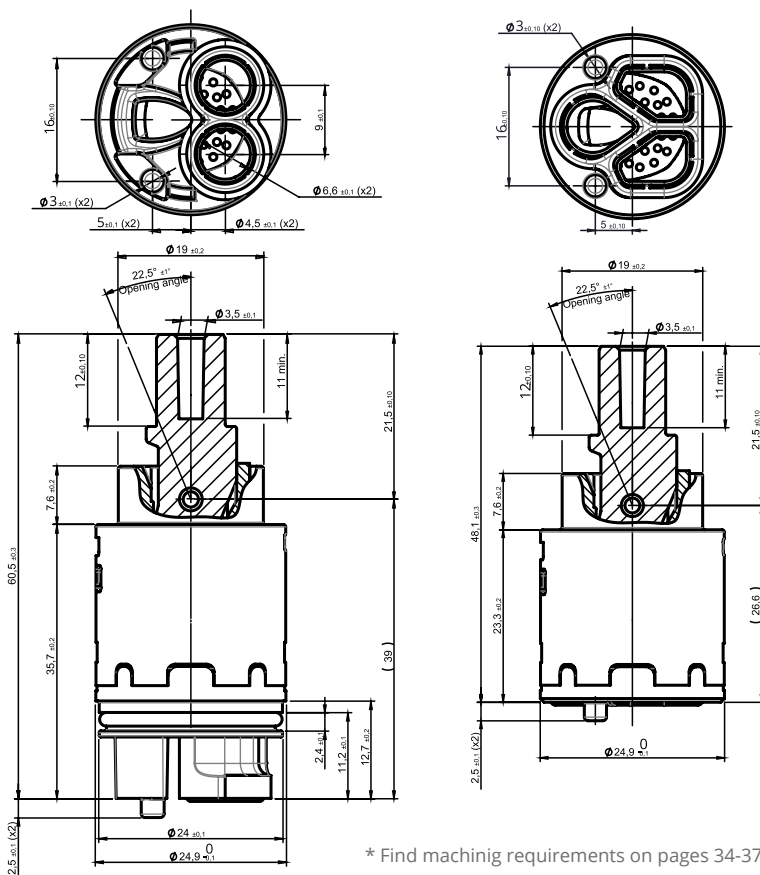
SN-25 C/D
 ECOFLOW
 REF.08SN25L0001



SN-25 S/D
 ECOFLOW
 REF.08SN25S0002



DIMENSIONS



* Find machining requirements on pages 34-37.

RECOMMENDED APPLICATIONS



WASHBASINS
 Specially useful for low flow washbasins.

CERTIFICATIONS



* Optimised for WaterSense and WaterLabel

TECHNICAL SPECIFICATIONS

General	C/D	S/D
Nut torque pitch M1.5	7-8Nm	7-8Nm
Opening angle	22.5°	22.5°
Rotation angle	90°	90°
Working pressure (recommended)	1 - 5 bar	1 - 5 bar
Burst pressure	>35 bar	>35 bar
Life cycle - EN 817 ASME 112.18.1 M	70,000 cycles	70,000 cycles
Sensitivity	>12 mm	>12 mm
Fidelity	<3°	<3°
Constant 63°C & 50°C (6 l/min - 3 l/min)	<4°C - <6°C	<4°C - <6°C
Max. hot water*	90 °C	90 °C

Operation Torque	C/D	S/D
Open-close	0.20-0.40 Nm	0.20-0.40 Nm
Turn left-right	0.15-0.35 Nm	0.15-0.35 Nm

Flow rate (free flow)	C/D	S/D
at 0.2 bar	1.5 l/min	1.5 l/min
at 1 bar	3.7 l/min	3.7 l/min
at 3 bar	6.1 l/min	6.1 l/min
at 5 bar	7.3 l/min	7.3 l/min

Only applies to officially listed products.
 Tested at Sedal's lab with Sedal's standard faucet
 *Peak or limited time condition.

REVOLVING

GI-25

DESCRIPTION

Revolving cartridges include a turning lever in order to mix water and provide better control of the flow rate.

FEATURES



ECO

Cartridges identified with an ECO icon offer at least one environmental sustainability feature.



COLD

Energy saving feature thanks to the internal design of the cartridge, flowing cold water when the lever is centered.



REVOLVING

This cartridge has a turning lever from 0° to 180°.



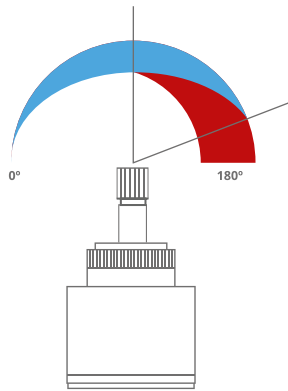
METALLIC LEVER

This revolving cartridge has metallic lever

ADVANTAGES

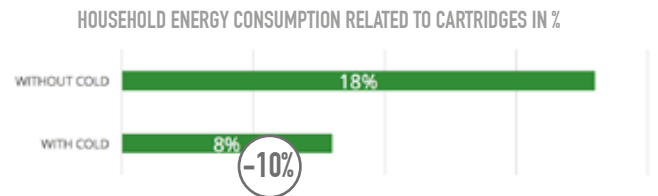
● REVOLVING MOVEMENT

25mm revolving cartridge has a rotation angle of 180° from cold to hot.



● COLD TECHNOLOGY

The cartridge starts in cold position by default, saving energy consumption related to plumbing products in the household.



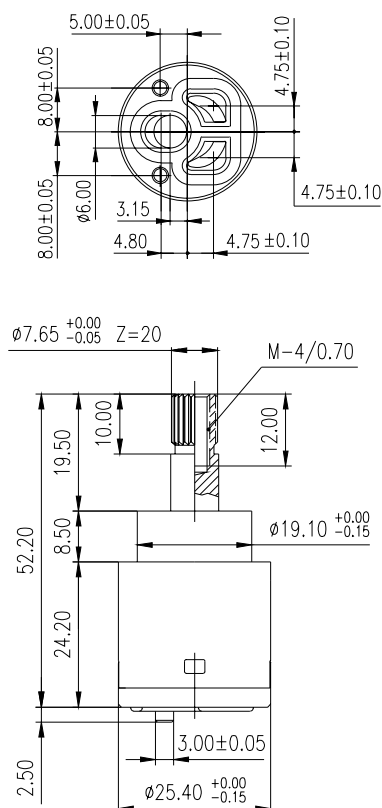
GI-25 S/D

REF. 08GI25FBL00



DOWNLOAD
DATA SHEET

DIMENSIONS



RECOMMENDED APPLICATIONS



DECORATIVE WASHBASINS
Specially designed for decorative faucets.

CERTIFICATIONS



TECHNICAL SPECIFICATIONS

General	S/D
Nut torque pitch M1.5	7-8Nm
Rotation angle	180°
Working pressure (recommended)	1 - 5 bar
Burst pressure	25-30 bar
Life cycle - EN 200	200,000 cycles
ASME 112.18.1 M	500,000 cycles
Max. hot water*	90 °C

Operation Torque	S/D
Turn left-right	0.50-0.40 Nm

Flow rate (free flow)	S/D
at 0.5 bar	3.9 l/min
at 1 bar	5.6 l/min
at 3 bar	9.6 l/min
at 5 bar	12.4 l/min

* Find machining requirements on pages 34-37.

Only applies to officially listed products.
Tested at Sedal's lab with Sedal's standard faucet
*Peak or limited time condition.

DIVERTER

GD-25

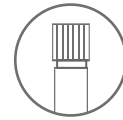
DESCRIPTION

The GD25 diverter from Sedal is a high end 25mm valve that provides smooth operation along with a defined feeling of safety and precision thanks to the metallic lever and a high precision ceramic set. The operation torque has been improved while keeping a small footprint. Works perfectly paired with our TM006 Thermostatic cartridge for showers.

FEATURES



ECO
Cartridges identified with an ECO icon offer at least one environmental sustainability feature.



METALLIC LEVER
This revolving cartridge has metallic lever.



OUTLETS
Diverter cartridge with two outlets.



ROTATION ANGLE
Diverter cartridge with 90° rotation angle.

ADVANTAGES

● *SLIM BODY SHOWERS WITH HIGH FLOW*

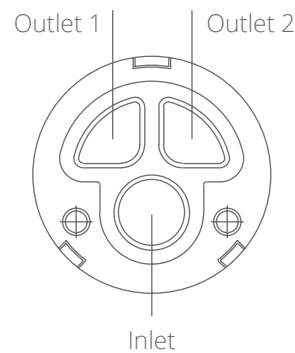
The GD25 has a high flow rate @3 bar, allowing to build slim body showers with 2 outlets providing a positive user experience while assuring an ecologic water consumption.

● *MORE ENDURANCE*

Extended life time thanks to a high grade ceramic set made in our Technical Ceramics facilities. The metal lever improves the user perception of quality and precision in a small cartridge.

● *DIVERTER FUNCTIONALITY*

This cartridge fits specially good in bath showers because allows to have two different outlets while keeping slim designs. Mixed water enters inlet 3 and exits either outlet 1 or 2.



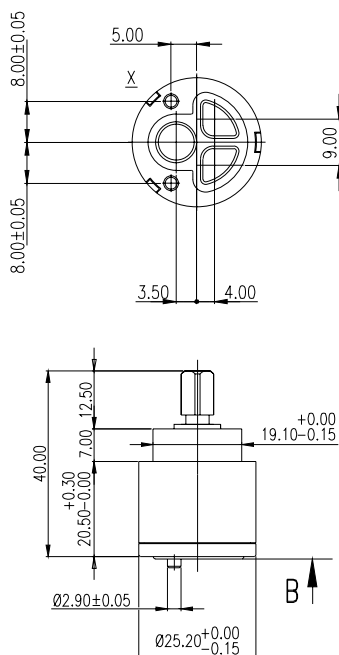
GD-25 S/D

REF. 08GD25FAZ00



DOWNLOAD
DATA SHEET

DIMENSIONS



RECOMMENDED APPLICATIONS



SHOWERS DIVERTERS

Specially designed for showers with diverters.

CERTIFICATIONS



TECHNICAL SPECIFICATIONS

General	S/D
Nut torque pitch M1.5	7-8Nm
Rotation angle	90°
Working pressure (recommended)	1 - 5 bar
Burst pressure	25 bar
Life cycle - EN 817	30,000 cycles
Max. hot water*	90 °C

Operation Torque	S/D
Turn left-right	0.15-0.30 Nm

Flow rate (free flow)	S/D
at 0.5 bar	6.8 l/min
at 1 bar	9.3 l/min
at 3 bar	16 l/min
at 5 bar	20.4 l/min

* Find machining requirements on pages 34-37.

Only applies to officially listed products.
Tested at Sedal's lab with Sedal's standard faucet
*Peak or limited time condition.

JOYSTICK

JY-25

DESCRIPTION

Joystick cartridges have a similar functionality as standard cartridges, although the special design of their levers allows smooth 360° movements. Very popular in some countries, Joystick cartridges provide a natural movement especially with vertical levers. The JY25 from Sedal is a very compact Joystick cartridge specially developed for slim bodies or cascade tap designs.

ADVANTAGES

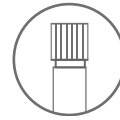
- **SMALLEST IN THE MARKET**
25mm joystick is the smallest in the industry, allowing the manufacturer to design slim faucets.
- **NEW CERAMICS DISC GEOMETRY**
JY-25 C/D has a new ceramics disc geometry that allows its smooth 360° movement.
- **ROBUST DESIGN**
25mm joystick has a robust design, withstanding higher levels of burst pressure.
- **HIGHER FLOW RATE**
JY-25 C/D has higher flow rates than previous versions.

FEATURES



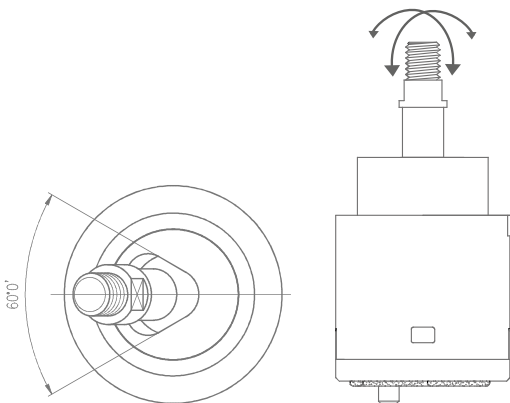
JOYSTICK

Joystick cartridge with smooth 360° movement.



METALLIC LEVER

This joystick cartridge has metallic lever



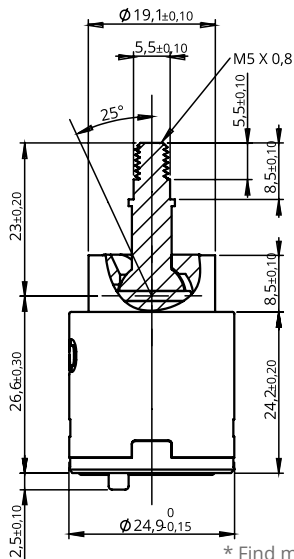
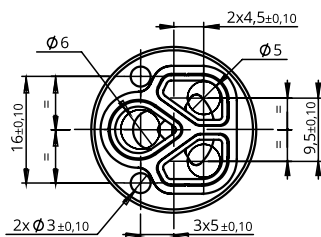
JY-25 S/D

REF. 08JY25S1101



DOWNLOAD DATA SHEET

DIMENSIONS



* Find machining requirements on pages 34-37.

RECOMMENDED APPLICATIONS



WASHBASINS

Specially designed for washbasins.

CERTIFICATIONS



TECHNICAL SPECIFICATIONS

General	S/D
Nut torque pitch M1.5	7-8 Nm
Opening angle	25°C
Rotation angle	80°
Working pressure (recommended)	1 - 5 bar
Burst pressure	>35 bar
Life cycle - EN 817	70,000 cycles
Max. hot water*	90 °C

Operation Torque	S/D
Turn left-right	0.20-0.40 Nm

Flow rate (free flow)	S/D
at 0.5 bar	5.3 l/min
at 1 bar	7.3 l/min
at 3 bar	12.3 l/min
at 5 bar	15.9 l/min

Only applies to officially listed products.
 Tested at Sedal's lab with Sedal's standard faucet
 *Peak or limited time condition.

UPPER SEALING

GC-25

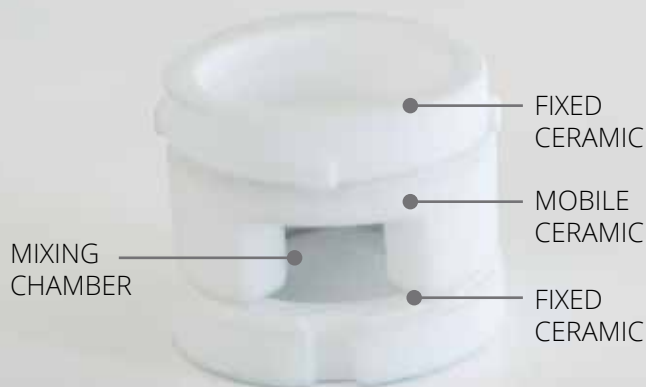
DESCRIPTION

Upper sealed cartridges allow the manufacturer to work with different faucet configurations, including those in which the spout is located on the upper side.

Some of these cartridges also provide extra productivity thanks to their design.

ADVANTAGES

- **TRIALOX TECHNOLOGY**
The new GC-25 Trialox features a new ceramic design that boosts its life expectancy while improving consistently the comfort of operation. Sedal's Trialox Technology is at the heart of this upper sealing 25mm cartridge to deliver a significant high flow for such a small footprint.
- **NEW REVOLUTIONARY CERAMIC SET**
The GC-25 Trialox consists on a mobile ceramic sandwiched between two fixed ones, instead of the classic two ceramic construction. The water flows inside GC-25 through the lower ceramic to the mixing chamber. The upper fixed ceramic ensures leakage protection while keeping operation smooth.

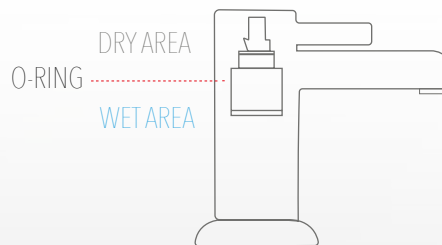


FEATURES



METALLIC LEVER
This joystick cartridge has metallic lever

- **ALLOWS DIFFERENT FAUCET CONFIGURATIONS**
Allows the manufacturer to work with different faucet configurations, including those in which the spout is located on the upper side.



- **HIGH PERFORMANCE**
Along with a high flow, the GC-25 Trialox ensures a full EN817 or ASME cycling while keeping the torque of operation and comfort parameters regularly.
- **DLC COATING**
As an option, a Diamond Coated ceramic set can be ordered to improve the operation torque and the life expectancy, as well as a sensible reduction of the chatter effect in extremely high temperatures.

GC-25 S/D

REF. 08GC25S0009



GC 25 S/D CLOSED

REF. 08GC25S0012



OTHER VERSIONS

DLC Coated Ceramic

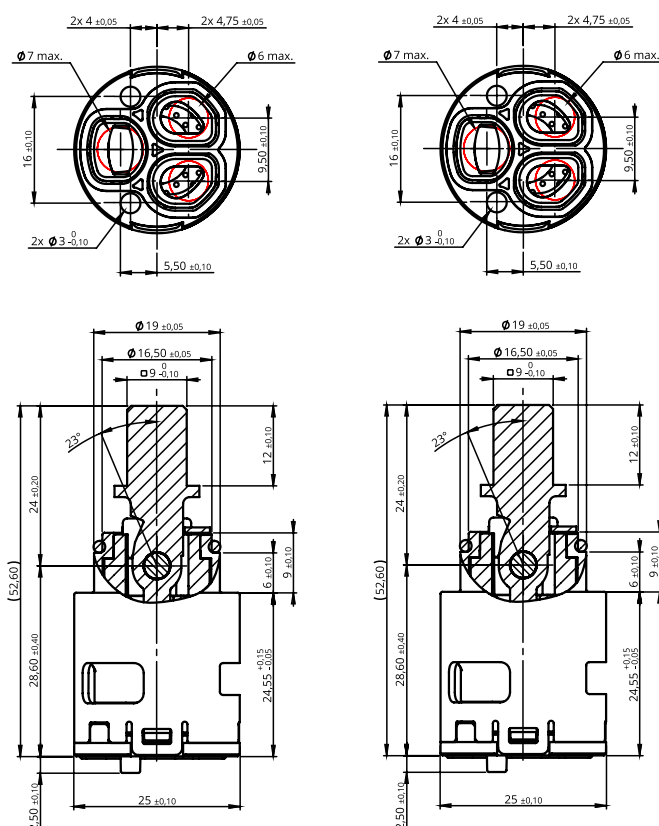
S/D

REF.00GC2550011

S/D CLOSED

REF.08GC25S0013

DIMENSIONS



* Find machining requirements on pages 34-37.

RECOMMENDED APPLICATIONS



WASHBASINS

Specially designed for washbasins.

CERTIFICATIONS



TECHNICAL SPECIFICATIONS

General	S/D	S/D CLOSED
Nut torque pitch M1.5	7-8 Nm	7-8 Nm
Opening angle	23°	23°
Rotation angle	90°	90°
Working pressure (recommended)	1 - 5 bar	1 - 5 bar
Burst pressure	>35 bar	>35 bar
Life cycle - EN 817	70,000 cycles	70,000 cycles
ASME A112.18.1	500,000 cycles	500,000 cycles
Sensitivity (r=52mm)	11°-13° angle	11°-13° angle
Fidelity	<3°C	<3°C
Constant 63°C & 50°C (6 l/min - 3 l/min)	<4°C - <6°C	<4°C - <6°C
Max. hot water*	90 °C	90 °C
Operation Torque	S/D	S/D CLOSED
Turn left-right	0.15-0.40 Nm	0.15-0.40 Nm
Open-close	0.15-0.40 Nm	0.15-0.40 Nm
Flow rate (free flow)	S/D	S/D CLOSED
at 0.5 bar	6.2 l/min	6.2 l/min
at 1 bar	9.2 l/min	9.2 l/min
at 3 bar	16.1 l/min	16.1 l/min
at 5 bar	20.9 l/min	20.9 l/min

Only applies to officially listed products.
Tested at Sedal's lab with Sedal's standard faucet
*Peak or limited time condition.

SN-28 CARTRIDGES

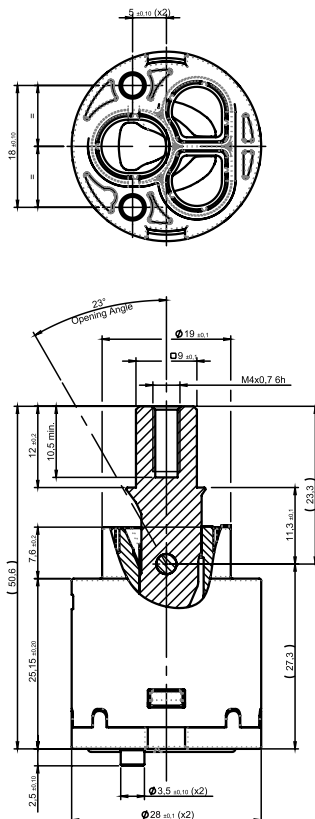
SN-28 S/D

REF. 08SN28S0002



DOWNLOAD
DATA SHEET

DIMENSIONS



* Find machining requirements on pages 36-39.

DESCRIPTION

The SN28 cartridge provides a slim design capability but not as thin as 25mm cartridges, resulting in an interesting intermediate way in between 35mm and 25mm taps. It features soft operational movement thanks to a clutched ceramic movement and high grade ceramics.

FEATURES



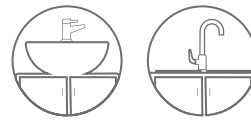
SOFT

Up to 40% softer lever operation than standard cartridges thanks to a clutched ceramic operation design.

ADVANTAGES

The manufacturer can keep a slim design but can obtain a higher flow rate.

RECOMMENDED APPLICATIONS



CERTIFICATIONS



TECHNICAL SPECIFICATIONS

General	S/D
Nut torque pitch M1.5	7-8Nm
Opening angle	23°
Rotation angle	100°
Working pressure (recommended)	1 - 5 bar
Burst pressure	>35 bar
ASME 112.18.1 M	500,000 cycles
Sensitivity (r=45mm)	>10 mm
Fidelity	<5°C
Constant 63 °C & 50 °C (6 l/min - 3 l/min)	<4°C - <6°C
Max. hot water*	90 °C

Operation Torque	S/D
Open-close	0.15-0.30 Nm
Turn left-right	0.15-0.35 Nm

Flow rate (free flow)	S/D
at 0.2 bar	5.7 l/min
at 1 bar	12 l/min
at 3 bar	20.3 l/min
at 5 bar	25.8 l/min

Only applies to officially listed products.
Tested at Sedal's lab with Sedal's standard faucet
*Peak or limited time condition.

COMPACT EX-28

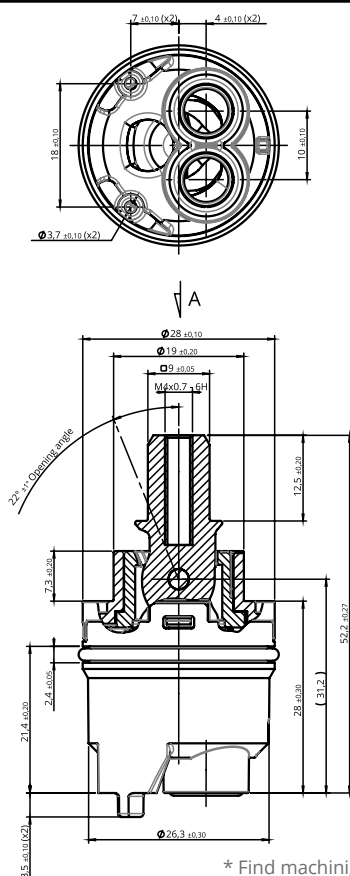
EX-28

REF. 08EX28L0002



DOWNLOAD
DATA SHEET

DIMENSIONS



* Find machining requirements on pages 34-37

STANDARD METAL LEVER specially designed CODE PAGE

25MM	ANTAGES	E-25	CD SD	08E25LBL02 08E25FBL02	23
------	---------	------	-------	--------------------------	----

compact cartridges allow the manufacturer to create minimalistic faucets without giving up the high-performance features of the cartridges.

RECOMMENDED APPLICATIONS



CONCEALED WASHBASINS
Specially designed for washbasins.



CONCEALED SHOWERS
Specially designed for one outlet showers.



CONCEALED KITCHENS
Suitable for use in kitchens.

CERTIFICATIONS



TECHNICAL SPECIFICATIONS

General	EX-28
Nut torque pitch M1.5	8 Nm
Opening angle	22°
Rotation angle	90°
Working pressure (recommended)	1 - 5 bar
Burst pressure	>35 bar
Life cycle - EN 817	140,000 cycles
ASME 112.18.1 M	500,000 cycles
Sensitivity	10°-12° angle
Fidelity	5 °C
Max. hot water*	90 °C

Operation Torque	EX-28
Open-close	0.15-0.25 Nm

Flow rate (free flow)	EX-28
at 0.5 bar	8.6 l/min
at 1 bar	12.2 l/min
at 3 bar	21.2 l/min
at 5 bar	27.5 l/min

Only applies to officially listed products.
Tested at Sedal's lab with Sedal's standard faucet
*Peak or limited time condition.

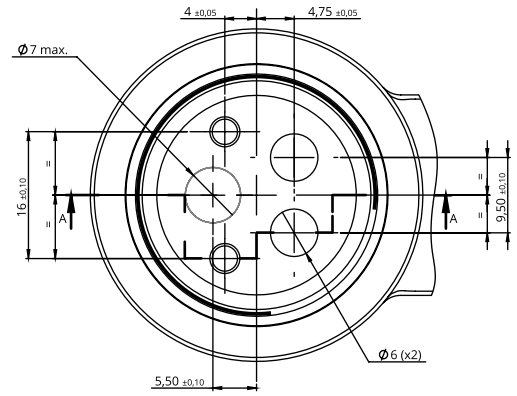
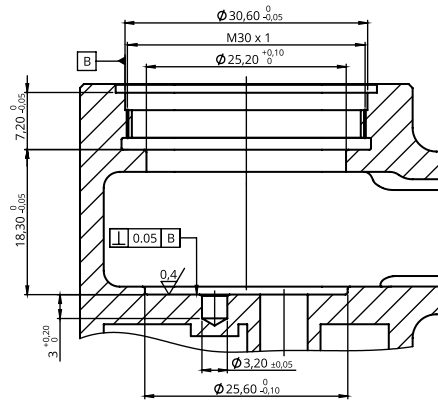
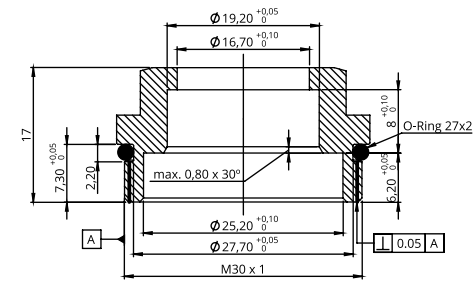
MACHINING REQUIREMENTS

CHART OF MACHINING REQUIREMENTS

DIAMETER	CARTRIDGE	REFERENCE	PAGE	MACHINING TIP
25 mm	SN-25 C/D	08SN25LGO00	16	
	SN-25 C/D COLD	08SN25L1503	18	
	SN-25 C/D COLD MIRROR	08SN25L1504	20	
	SN-25 C/D ECOFLOW	08SN25L0001	24	

DIAMETER	CARTRIDGE	REFERENCE	PAGE	MACHINING TIP
25 mm	SN-25 S/D	08SN25FGO00	16	
	SN-25 S/D COLD	08SN25S1503	18	
	SN-25 S/D COLD MIRROR	08SN25S1504	20	
	SN-25 S/D ECOFLOW	08SN25S0002	24	
	GI-25 S/D	08GI25FBL00	26	
	GD-25 S/D	08GD25FAZ00	28	
	JY-25 S/D	08JY25S1101	30	

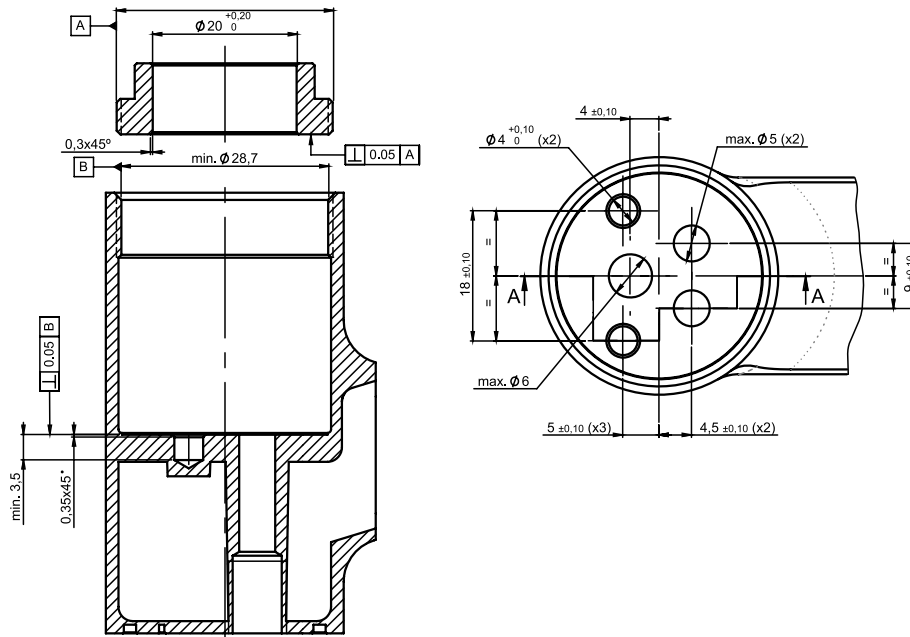
DIAMETER	CARTRIDGE	REFERENCE	PAGE	MACHINING TIP
25 mm	GC-25 S/D	08FBL100	32	



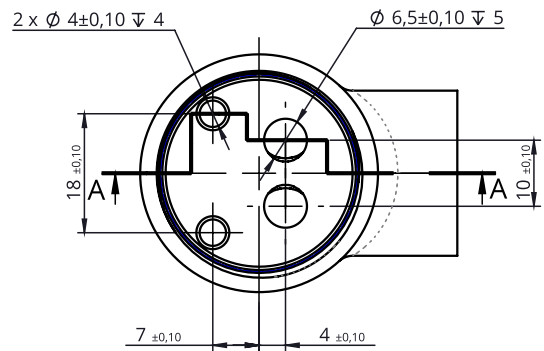
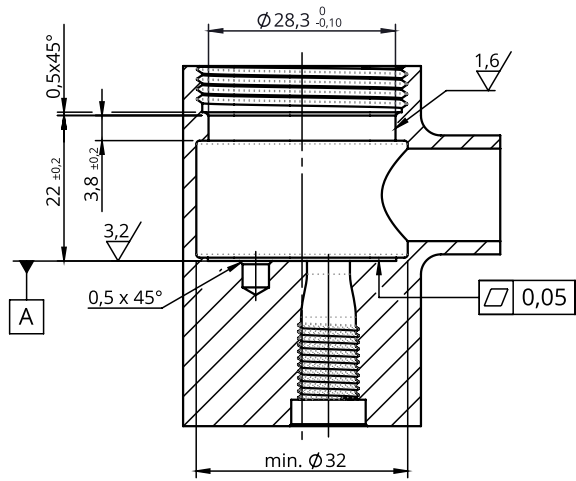
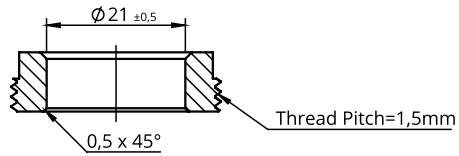
MACHINING REQUIREMENTS

CHART OF MACHINING REQUIREMENTS

DIAMETER	CARTRIDGE	REFERENCE	PAGE	MACHINING TIP
28 mm	SN-28	08SN28S0002	34	



DIAMETER	CARTRIDGE	REFERENCE	PAGE	MACHINING TIP
28 mm	EX-28	08EX28L0002	35	






**35MM
CARTRIDGES**



*FOR SINGLE
LEVER FAUCETS*

INDEX · 35MM CARTRIDGES




TOP

		TEMP. LIMITER	FLOW LIMITER	CODE	PG	
EN		TOP	✓	✓	CD SD 08EN35L0023 08EN35S0023	40
		DUE	✓	✓	CD SD 08EN35L3504 08EN35S3504	42
		COLD	✓	✓	CD SD 08EN35L2502 08EN35S4003	44
		COLD DUE	✓	-	CD SD 08EN35L5002 08EN35S5002	46


ENDURA

		TEMP. LIMITER	FLOW LIMITER	CODE	PG	
SN		ENDURA	✓	✓	CD SD 08SN35L0013 08SN35S0013	48
		DUE	✓	-	CD SD 08SN35L3001 08SN35S3001	50
		COLD	✓	✓	CD SD 08SN35L1502 08SN35S1502	52
		COLD DUE	✓	✓	CD SD 08SN35L0004 08SN35S0004	54
EN		ENDURA	✓	✓	CD SD 08EN35L0004 08EN35S0004	56
		DUE	✓	-	CD SD 08EN35L3001 08EN35S3001	58
		COLD	✓	✓	CD SD 08EN35L1503 08EN35S1503	60
		COLD MIRROR	-	-	CD SD 08EN35L1505 08EN35S1505	62
		COLD DUE	✓	✓	CD SD 08EN35L0005 08EN35S0005	64
		COLD MIRROR DUE	-	-	CD SD 08EN35L2002 08EN35S2002	66


STANDARD

		TEMP. LIMITER	FLOW LIMITER	CODE	PG	
EN		EN-35	-	-	CD SD 08EN35L0003 08EN35S0003	68
		EN-35 DUE	-	-	CD SD 08E35LAZ31 08E35FAZ31	69
SN		-	-	CD SD 08SN35LGO00 08SN35FGO00	70	
TRN		✓	✓	CD SD 08RN35LVE00 08RN35FVE00	71	


BASIC

		TEMP. LIMITER	FLOW LIMITER	CODE	PG
BASIC		-	-	CD SD 08EN35L0011 08EN35S0011	72


ECOFLOW

		TEMP. LIMITER	FLOW LIMITER	CODE	PG
SN		-	-	CD SD 08SN35L0008 08SN35S0009	74




TERMACLICK

		TEMP. LIMITER	FLOW LIMITER	CODE	PG	
SN		TERMACLICK	-	-	CD SD 08SN35L2003 08SN35S2003	76
		MIRROR	-	-	CD SD 08SN35L2004 08SN35S2004	78

DRY FAUCET

		TEMP. LIMITER	FLOW LIMITER	CODE	PG	
SN		BISO	-	-	2 3 08SN35B0008 08SN35B0007	80
		SISO	-	-	2 3 08SN35A0008 08SN35A0007	82

SPECIALS

		TEMP. LIMITER	FLOW LIMITER	CODE	PG	
REVOLVING		GI-35	✓	-	CD SD 08GI35LBE64 08GI35FBE64	84
		GI-35 L9	-	-	CD SD 08GI35LBE09 08GI35FBE09	86
		GI-35 Z20	-	-	CD SD 08GI35LBE01 08GI35FBE01	87
DIVERTERS		GD-35	-	-	CD SD 08GD35LBE00 08GD35FBE00	88
		GD-35 4	-	-	SD 08GD35S0001	90
JOYSTICK		-	-	CD 08JY35L001	92	

UPPER SEALING

		EMP. LIMITER	FLOW LIMITER	CODE	PG	
UPPER SEALING		G-35	✓	✓	CD 08RG35L4602	94
		G-35 DUE	✓	✓	CD 08G35L0002	96
		G-35 COLD	✓	✓	CD 08G35L1501	98
DIRECT PLUG-IN		CC-35	✓	✓	CD 08CC35L0003	100
		CC-35 BASIC	✓	✓	CD 08CC35L0016	100
		CC-35 BASIC DUE	✓	✓	CD 08CC35L4502	102
COMPACT		EX-35 TOP	✓	✓	CD 08EX35L0504	104
		EX-35 TOP DUE	✓	✓	CD 08EX35L3503	106
		EX-35 TOP COLD	✓	✓	CD 08EX35L2502	108
		EX-35 TOP COLD DUE	✓	✓	CD 08EX35L5002	110
		EX-35	✓	✓	CD 08EX35S0001	112
		EX-35 DUE	✓	✓	CD 08EX35S3501	114

EN-35 TOP

DESCRIPTION

EN-35 TOP is a 35mm cartridge created to be the best in class, outstanding its competitors in all fields and offering the manufacturer a perfect balanced cartridge with an extraordinary endurance: 2x standard life cycling tests. It is also available with TRN technology for water and energy saving.

ADVANTAGES

- HIGHER FLOWRATE**
TOP has a 5% more flowrate than the average in its market segment. It also has **3.5% more flowrate** than its closest competitor and it is substantially better than the standard cartridges.
- A PLUS IN SENSITIVITY**
TOP has a **20% more sensitivity** than its closest competitor. It has a 12% more sensitivity than the average cartridges in the market.
- LOWER NOISE LEVEL**
TOP produces only 16-18dB, **20% less noise** than the average in its market segment and also than its closest competitor.
- EXTRAORDINARY COMFORT**
TOP has an **extraordinary operational comfort**, with smooth operation even in hot conditions, offering to the user a 11% more comfort than the average in its market segment.
- MECHANICAL STRENGTH**
TOP has a **25% more mechanical strength** than Endura.

FEATURES



FLOW LIMITER

Limit maximum water flow for water saving.



ECO

Cartridges identified with an ECO icon offer at least one environmental sustainability feature.



TEMPERATURE LIMITER

Limit maximum temperature in 7 selectable stops for energy saving and to avoid scalding.

VERSIONS WITH LIMITERS

TEMPERATURE LIMITER FUNCTION (TR)

TOP cartridge has an optional ring called TR that allows limiting maximum temperature in 10 selectable stops (every 9°), enabling an anti-scalding safety feature.



0° TURN



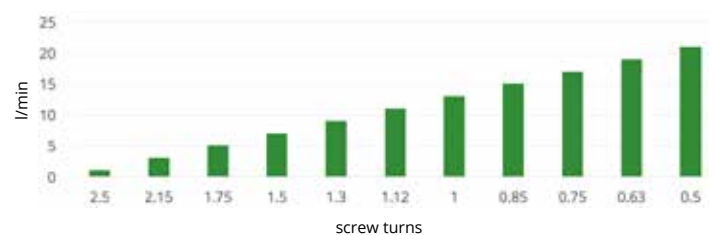
27° TURN

TEMPERATURE & FLOW LIMITER FUNCTION (TRN)

TRN technology, in addition to limit temperature, allows water saving at the same time thanks to a flow limiter.



The flow can be limited thanks to the screw located in the cartridge lever. By turning the screw, the flow obtained will be reduced, **saving up to 22% of daily water consumption.**



EN-35 C/D

TOP

REF.08EN35L0023 (TR)



DOWNLOAD
DATA SHEET

EN-35 S/D

TOP

REF. 08EN35S0023 (TR)



DOWNLOAD
DATA SHEET

RECOMMENDED APPLICATIONS



WASHBASINS

Specially designed for washbasins.



BATH-SHOWERS

Specially designed for bath showers.



KITCHENS

Suitable for use in kitchens.

OTHER VERSIONS

Temperature limiter (TRN)

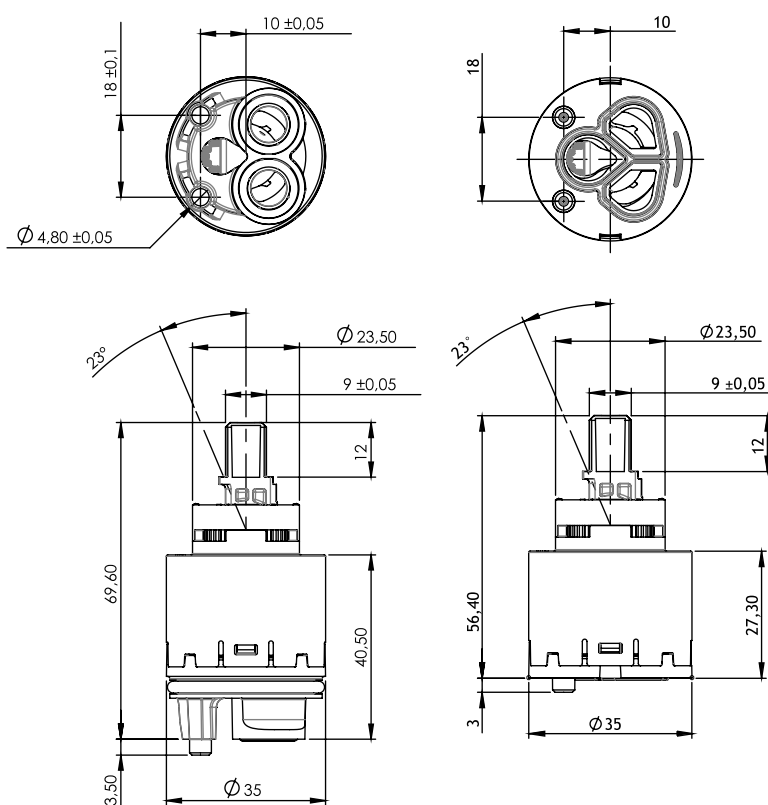
C/D

REF.08EN35L4505

S/D

REF. 08EN35S4505

DIMENSIONS



CERTIFICATIONS



TECHNICAL SPECIFICATIONS

General	C/D	S/D
Nut torque pitch M1.5	10-12Nm	10-12Nm
Opening angle	23°	23°
Rotation angle	100°	100°
Working pressure (recommended)	1 - 5 bar	1 - 5 bar
Burst pressure	>60 bar	>60 bar
Life cycle- x2 ASME	1,000,000 cycles	1,000,000 cycles
x2 EN 817	140,000 cycles	140,000 cycles
NF-077 U3	175,000 cycles	175,000 cycles
x2 GB-18145	140,000 cycles	140,000 cycles
Sensitivity	>13.5 mm	>13.5 mm
Fidelity	<2°	<2°
Constant 63°C & 50°C (6 l/min - 3 l/min)	<3°C - <4°C	<3°C - <4°C
Max. hot water*	90 °C	90 °C

Operation Torque	C/D	S/D
Open-close	0.15-0.30 Nm	0.30 Nm
Turn left-right	0.15-0.30 Nm	0.30 Nm

Noise level	C/D	S/D
Noise level (A2-NF077)	16 ± 2 dB	18 ± 2 dB

Flow rate (free flow)	C/D	S/D
at 3 bar	28.2 l/min	27.4 l/min

-Hammer test **NF-077**.

-High temp. pressure test **AS-NZS**

Only applies to officially listed products.
Tested at Sedal's lab with Sedal's standard faucet
*Peak or limited time condition.

* Find machining requirements on pages 116-119.

EN-35 TOP

DUE

DESCRIPTION

EN-35 TOP is a 35mm cartridge created to be the best in class, outstanding its competitors in all fields and offering the manufacturer a perfect balanced cartridge with an extraordinary endurance: 2x standard life cycling tests. It is also available with TRN and DUE technologies for water and energy saving.

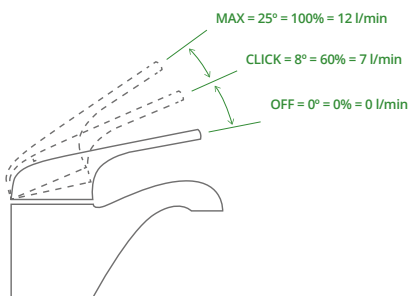
ADVANTAGES

● **ADDITIONAL FEATURES**

EN-35 TOP Due has the same advantages than EN-35 Top, but with due technology as an additional feature.

● **DUE TECHNOLOGY**

Easier control of water flow thanks to Due technology, which presents a slight resistance to indicate that the fitting is using approximately a 50% of its flow. This feature allows **saving up to 54% of daily water consumption.**



FEATURES



FLOW LIMITER

Limit maximum water flow for water saving.



ECO

Cartridges identified with an ECO icon offer at least one environmental sustainability feature.



TEMPERATURE LIMITER

Limit maximum temperature in 7 selectable stops for energy saving and to avoid scalding.



DUE

Water flow optimization thanks to a mid-way stop at 60% of the lever stroke that provides up to 50% water saving.

● **VERSIONS WITH LIMITERS**

TEMPERATURE LIMITER FUNCTION (TR)

TOP cartridge has an optional ring called TR that allows limiting maximum temperature in 10 selectable stops (every 9°), enabling an anti-scalding safety feature.



0° TURN



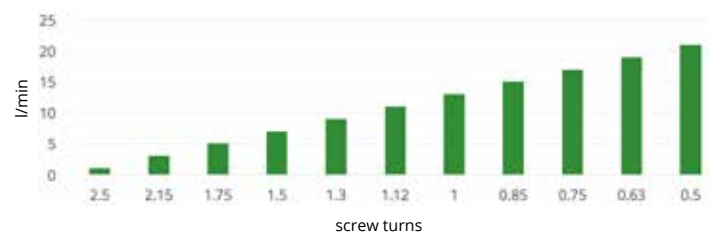
27° TURN

TEMPERATURE & FLOW LIMITER FUNCTION (TRN)

TRN technology, in addition to limit temperature, allows water saving at the same time thanks to a flow limiter.



The flow can be limited thanks to the screw located in the cartridge lever. By turning the screw, the flow obtained will be reduced, **saving up to 22% of daily water consumption.**



EN-35 C/D

TOP DUE

REF.08EN35L3504 (TR)

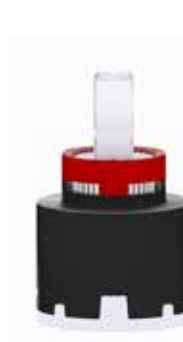


DOWNLOAD DATA SHEET

EN-35 S/D

TOP DUE

REF.08EN35S3504 (TR)



DOWNLOAD DATA SHEET

RECOMMENDED APPLICATIONS



WASHBASINS

Specially designed for washbasins.



BATH-SHOWERS

Specially designed for bath showers.



KITCHENS

Suitable for use in kitchens.

OTHER VERSIONS

Temperature & flow limiter (TRN)

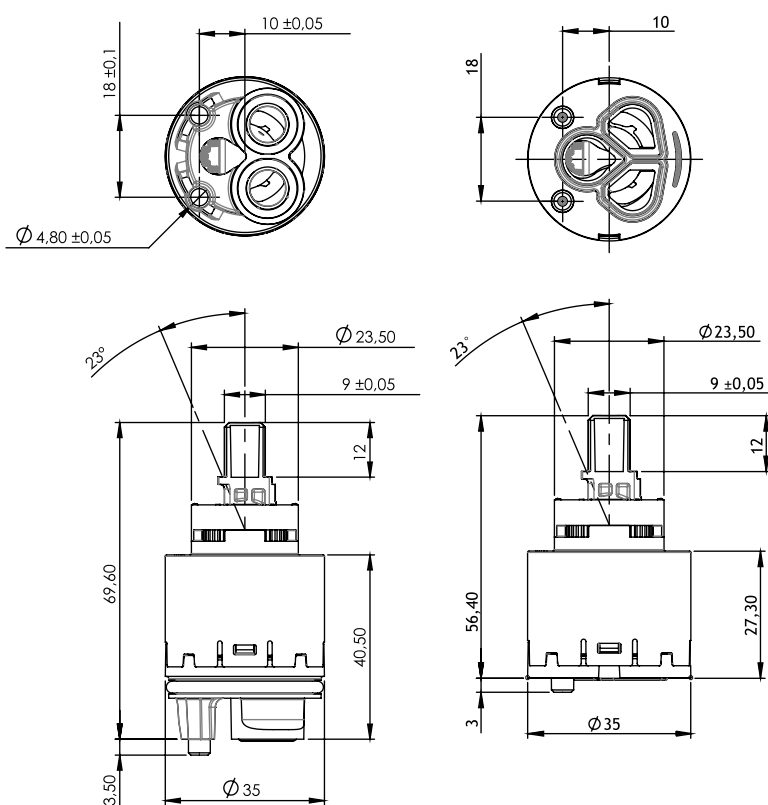
C/D

on demand

S/D

on demand

DIMENSIONS



CERTIFICATIONS



TECHNICAL SPECIFICATIONS

General	C/D	S/D
Nut torque pitch M1.5	10-12Nm	10-12Nm
Opening angle	23°	23°
Rotation angle	100°	100°
Working pressure (recommended)	1 - 5 bar	1 - 5 bar
Burst pressure	>60 bar	>60 bar
Life cycle- x2 ASME	1,000,000 cycles	1,000,000 cycles
x2 EN 817	140,000 cycles	140,000 cycles
NF-077 U3	175,000 cycles	175,000 cycles
x2 GB-18145	140,000 cycles	140,000 cycles
Sensitivity	>13.5 mm	>13.5 mm
Fidelity	<2°	<2°
Constant 63 °C & 50 °C (6 l/min - 3 l/min)	<3°C - <4°C	<3°C - <4°C
Max. hot water*	90 °C	90 °C

Operation Torque	C/D	S/D
Open-close	0.15-0.30 Nm	0.30 Nm
Turn left-right	0.15-0.30 Nm	0.30 Nm

Noise level	C/D	S/D
Noise level (A2-NF077)	16 ± 2 dB	18 ± 2 dB

Flow rate (free flow)	C/D	S/D
at 3 bar	28.2 l/min	27.4 l/min

-Hammer test **NF-077**.

-High temp. pressure test **AS-NZS**

Only applies to officially listed products.
Tested at Sedal's lab with Sedal's standard faucet
*Peak or limited time condition.

* Find machining requirements on pages 116-119.

EN-35 TOP

COLD

DESCRIPTION

EN-35 TOP is a 35mm cartridge created to be the best in class, outstanding its competitors in all fields and offering the manufacturer a perfect balanced cartridge with an extraordinary endurance: 2x standard life cycling tests. It is also available with TRN and COLD technologies for water and energy saving.

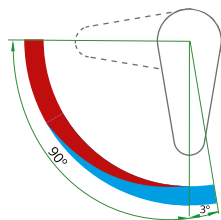
ADVANTAGES

● **ADDITIONAL FEATURES**

EN-35 TOP Cold has the same advantages than EN-35 Top, but with cold technology as an additional feature.

● **COLD TECHNOLOGY**

The lever is in cold position by default, **saving up to 10% from the household energy consumption** related to plumbing products.



FEATURES



FLOW LIMITER

Limit maximum water flow for water saving.



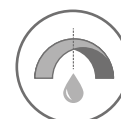
ECO

Cartridges identified with an ECO icon offer at least one environmental sustainability feature.



TEMPERATURE LIMITER

Limit maximum temperature in 7 selectable stops for energy saving and to avoid scalding.



COLD

Energy saving feature thanks to the internal design of the cartridge, flowing cold water when the lever is centered.

● **VERSIONS WITH LIMITERS**

TEMPERATURE LIMITER FUNCTION (TR)

TOP cartridge has an optional ring called TR that allows limiting maximum temperature in 10 selectable stops (every 9°), enabling an anti-scalding safety feature.



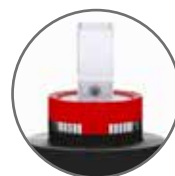
0° TURN



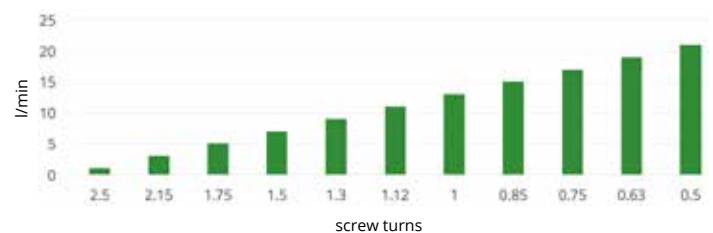
27° TURN

TEMPERATURE & FLOW LIMITER FUNCTION (TRN)

TRN technology, in addition to limit temperature, allows water saving at the same time thanks to a flow limiter.



The flow can be limited thanks to the screw located in the cartridge lever. By turning the screw, the flow obtained will be reduced, **saving up to 22% of daily water consumption.**



EN-35 C/D

TOP COLD

REF.08EN35L2502 (TR)

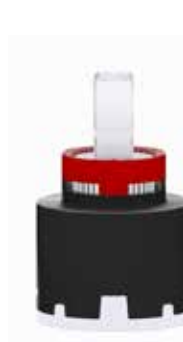


DOWNLOAD DATA SHEET

EN-35 S/D

TOP COLD

REF.08EN35S4003 (TR)



DOWNLOAD DATA SHEET

RECOMMENDED APPLICATIONS



WASHBASINS

Specially designed for washbasins.



KITCHENS

Suitable for use in kitchens.

CERTIFICATIONS



TECHNICAL SPECIFICATIONS

General	C/D	S/D
Nut torque pitch M1.5	10-12Nm	10-12Nm
Opening angle	23°	23°
Rotation angle	93°	93°
Working pressure (recommended)	1 - 5 bar	1 - 5 bar
Burst pressure	>60 bar	>60 bar
Life cycle- x2 ASME	1,000,000 cycles	1,000,000 cycles
x2 EN 817	140,000 cycles	140,000 cycles
NF-077 U3	175,000 cycles	175,000 cycles
x2 GB-18145	140,000 cycles	140,000 cycles
Sensitivity	>13.5 mm	>13.5 mm
Fidelity	<2°	<2°
Constant 63 °C & 50 °C (6 l/min - 3 l/min)	<3°C - <4°C	<3°C - <4°C
Max. hot water*	90 °C	90 °C

Operation Torque	C/D	S/D
Open-close	0.15-0.30 Nm	0.30 Nm
Turn left-right	0.15-0.30 Nm	0.30 Nm

Noise level	C/D	S/D
Noise level (A2-NF077)	16 ± 2 dB	18 ± 2 dB

Flow rate (free flow)	C/D	S/D
at 3 bar	28.2 l/min	27.4 l/min

-Hammer test **NF-077**.

-High temp. pressure test **AS-NZS**

Only applies to officially listed products.
Tested at Sedal's lab with Sedal's standard faucet
*Peak or limited time condition.

OTHER VERSIONS

Temperature limiter (TRN)

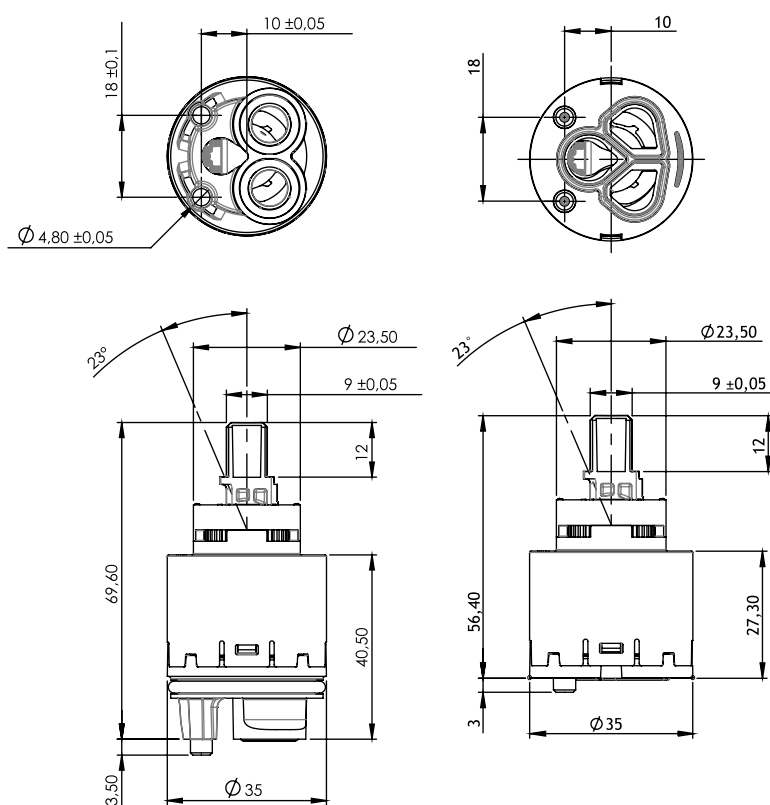
C/D

08EN35L4003

S/D

08EN35S2502

DIMENSIONS



* Find machining requirements on pages 116-119.

EN-35 TOP

COLD DUE

DESCRIPTION

EN-35 TOP is a 35mm cartridge created to be the best in class, outstanding its competitors in all fields and offering the manufacturer a perfect balanced cartridge with an extraordinary endurance: 2x standard life cycling tests. It is also available with TRN, COLD and DUE technologies for water and energy saving.

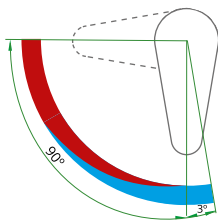
ADVANTAGES

● **ADDITIONAL FEATURES**

EN-35 TOP Cold Due has the same advantages than EN-35 Top, but with cold and due technologies as an additional features.

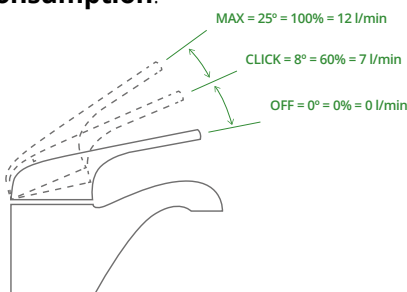
● **COLD TECHNOLOGY**

The lever is in cold position by default, **saving up to 10% from the household energy consumption** related to plumbing products.



● **DUE TECHNOLOGY**

Easier control of water flow thanks to Due technology, which presents a slight resistance to indicate that the fitting is using approximately a 50% of its flow. This feature allows **saving up to 54% of daily water consumption**.



FEATURES



DUE

Water flow optimization thanks to a mid-way stop at 60% of the lever stroke that provides up to 50% water saving.



TEMPERATURE LIMITER

Limit maximum temperature in 7 selectable stops for energy saving and to avoid scalding.



COLD

Energy saving feature thanks to the internal design of the cartridge, flowing cold water when the lever is centered.



FLOW LIMITER

Limit maximum water flow for water saving.



ECO

Cartridges identified with an ECO icon offer at least one environmental sustainability feature.

● **VERSIONS WITH LIMITERS**

TEMPERATURE LIMITER FUNCTION (TR)

TOP cartridge has an optional ring called TR that allows limiting maximum temperature in 10 selectable stops (every 9°), enabling an anti-scalding safety feature.



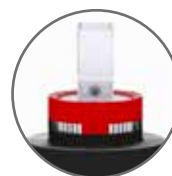
0° TURN



27° TURN

TEMPERATURE & FLOW LIMITER FUNCTION (TRN)

TRN technology, in addition to limit temperature, allows water saving at the same time thanks to a flow limiter.



The flow can be limited thanks to the screw located in the cartridge lever. By turning the screw, the flow obtained will be reduced, **saving up to 22% of daily water consumption**.



EN-35 C/D

TOP COLD DUE

REF.08EN35L5002 (TR)



DOWNLOAD DATA SHEET

EN-35 S/D

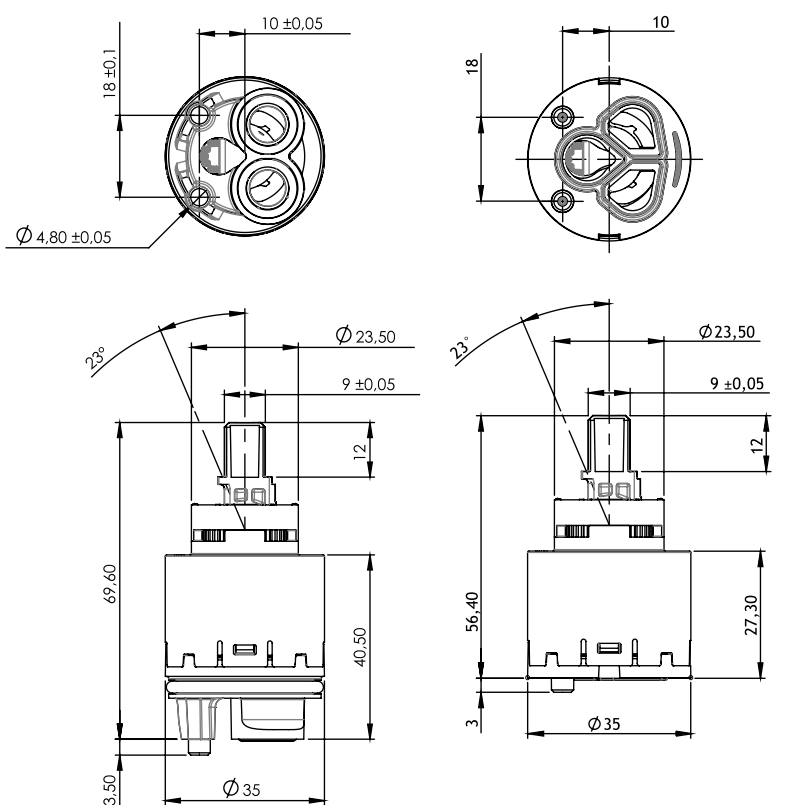
TOP COLD DUE

REF.08EN35S5002 (TR)



DOWNLOAD DATA SHEET

DIMENSIONS



* Find machining requirements on pages 116-119.

RECOMMENDED APPLICATIONS



WASHBASINS

Specially designed for washbasins.



KITCHENS

Suitable for use in kitchens.

CERTIFICATIONS



TECHNICAL SPECIFICATIONS

General	C/D	S/D
Nut torque pitch M1.5	10-12Nm	10-12Nm
Opening angle	23°	23°
Rotation angle	93°	93°
Working pressure (recommended)	1 - 5 bar	1 - 5 bar
Burst pressure	>60 bar	>60 bar
Life cycle- x2 ASME	1,000,000 cycles	1,000,000 cycles
x2 EN 817	140,000 cycles	140,000 cycles
NF-077 U3	175,000 cycles	175,000 cycles
x2 GB-18145	140,000 cycles	140,000 cycles
Sensitivity	>13.5 mm	>13.5 mm
Fidelity	<2°	<2°
Constant 63 °C & 50 °C (6 l/min - 3 l/min)	<3°C - <4°C	<3°C - <4°C
Max. hot water*	90 °C	90 °C

Operation Torque	C/D	S/D
Open-close	0.15-0.30 Nm	0.15-0.30 Nm
Turn left-right	0.15-0.30 Nm	0.15-0.30 Nm

Noise level	C/D	S/D
Noise level (A2-NF077)	16 ± 2 dB	18 ± 2 dB

Flow rate (free flow)	C/D	S/D
at 3 bar	28.2 l/min	27.4 l/min

-Hammer test **NF-077**.

-High temp. pressure test **AS-NZS**

Only applies to officially listed products.
Tested at Sedal's lab with Sedal's standard faucet
*Peak or limited time condition.

SN-35 ENDURA

DESCRIPTION

35mm cartridge with an extraordinary endurance: 2x standard life cycling tests, thanks to SedalOX® ceramics reinforced with our exclusive Nano Shelter Technology and a complete set of technologies. It also includes SN system, which provides the cartridge with a unique smoothness of operation and TRN technology for water and energy saving.

ADVANTAGES

- **SN TECHNOLOGY**
Ceramics discs do not move in close position providing a unique smoothness of operation and higher durability (up to 20% longer life).
- **HIGH-PRECISION COMPONENTS**
High precision components and excellent performing materials.
- **A BUNCH OF TECHNOLOGY**
A complete set of high tech solutions:
 - Glide Feel Technology for a perfectly smooth operation
 - Ceramic Nano Shelter Technology for extra durability,
 - Noise Cancelling Technology
 - AccuDue Technology to save water
- **DOUBLE LIFE-CYCLE**
The new ENDURA features SedalOX™ 96, which allows an extended life cycling. The result is more than double ASME and EN standard cycles in life tests.
- **GREAT RANGE. GREATER POSSIBILITIES**
The new ENDURA 35 range provides the manufacturer with 18 different options to develop its products and more than 100 potential combinations.

FEATURES



SOFT
Up to 40% softer lever operation than standard cartridges thanks to a clutched ceramic operation design.



FLOW LIMITER
Limit maximum water flow for water saving.



ECO
Cartridges identified with an ECO icon offer at least one environmental sustainability feature.



TEMPERATURE LIMITER
Limit maximum temperature in 7 selectable stops for energy saving and to avoid scalding.

VERSIONS WITH LIMITERS

TEMPERATURE LIMITER FUNCTION (TR)

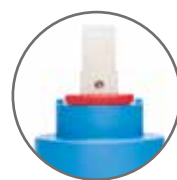
Endura cartridge has an optional ring called TR that allows limiting maximum temperature in 7 selectable stops, enabling an anti-scalding safety feature.



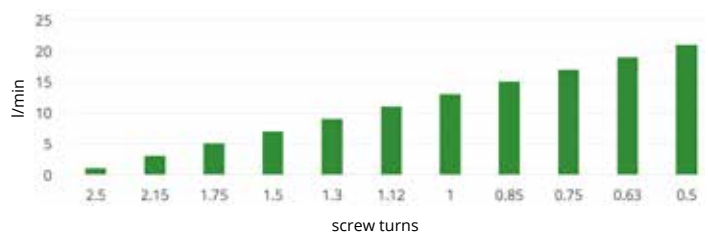
position	15° l/min	65° l/min	°C 3bar
1	16	4	26°
2	12,5	7,5	35°
3	9	11	43°
4	5	15	50°
5	2	18	56°
6	1	19	61°
7	0	20	65°

TEMPERATURE & FLOW LIMITER FUNCTION (TRN)

TRN technology, in addition to limit temperature, allows water saving at the same time thanks to a flow limiter.



The flow can be limited thanks to the screw located in the cartridge lever. By turning the screw, the flow obtained will be reduced, **saving up to 22% of daily water consumption.**



SN-35 C/D

ENDURA

REF.08SN35L0013



DOWNLOAD DATA SHEET

SN-35 S/D

ENDURA

REF.08SN35S0013



DOWNLOAD DATA SHEET

OPTIONAL:
Improved comfort
& durability
version for
extreme
conditions

RECOMMENDED APPLICATIONS



WASHBASINS

Specially designed for washbasins.



BATH-SHOWERS

Specially designed for bath showers.



KITCHENS

Suitable for use in kitchens.

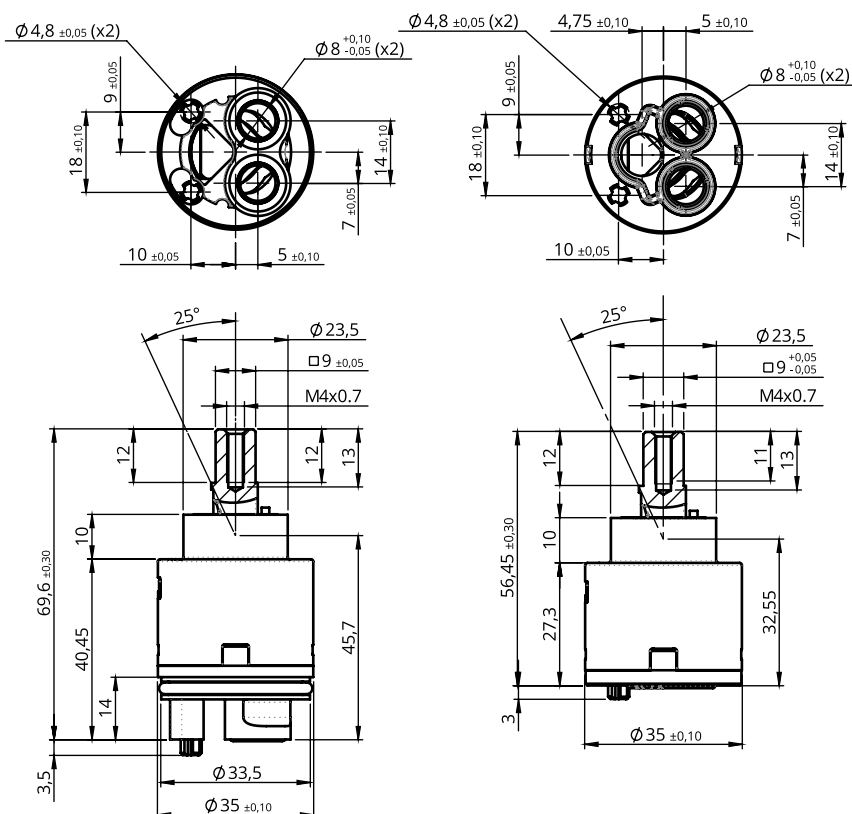
OTHER VERSIONS

	C/D	S/D
Temperature & flow limiter (TRN)	REF.08SN35L4501	REF.08SN35S4501
Temperature Limiter (TR)	REF.08SN35L5401	REF.08SN35S5401

CERTIFICATIONS



DIMENSIONS



* Find machining requirements on pages 116-119.

TECHNICAL SPECIFICATIONS

General	C/D	S/D
Nut torque pitch M1.5	10-12Nm	10-12Nm
Opening angle	25°	25°
Rotation angle	90°	90°
Working pressure (recommended)	1 - 5 bar	1 - 5 bar
Burst pressure	>50 bar	>50 bar
Life cycle-EN 817 NF U3	175,000 cycles	175,000 cycles
x2 ASME	1,000,000 cycles	1,000,000 cycles
x2 GB18145	140,000 cycles	140,000 cycles
Sensitivity	>12 mm	>12 mm
Fidelity	<2°	<2°
Constant 63°C & 50°C (6 l/min - 3 l/min)	<4°C - <6°C	<4°C - <6°C
Max. hot water*	90 °C	90 °C

Operation Torque	C/D	S/D
Open-close	0.20-0.35 Nm	0.20-0.35 Nm
Turn left-right	0.15-0.30 Nm	0.15-0.30 Nm

Noise level	C/D	S/D
Noise level	20 ± 2 dB	20 ± 2 dB

Flow rate (free flow)	C/D	S/D
at 0.2 bar	7.8 l/min	7.4 l/min
at 1 bar	17.1 l/min	16.4 l/min
at 3 bar	29.5 l/min	28.2 l/min
at 5 bar	38 l/min	36.4 l/min

Only applies to officially listed products.
Tested at Sedal's lab with Sedal's standard faucet
*Peak or limited time condition.

SN-35 ENDURA DUE

DESCRIPTION

35mm cartridge with an extraordinary endurance: 2x standard life cycling tests, thanks to SedalOX® ceramics reinforced with our exclusive Nano Shelter Technology and a complete set of technologies. It also includes SN system, which provides the cartridge with a unique smoothness of operation, TR technology for temperature control and DUE technology for water saving.

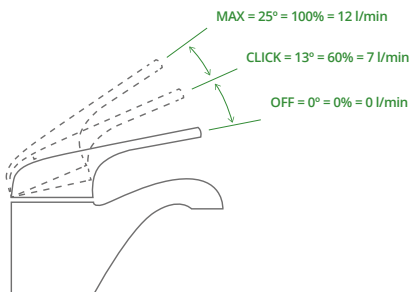
ADVANTAGES

ADDITIONAL FEATURES

SN-35 Endura Due has the same advantages than SN-35 Endura, but with due technology as an additional feature.

DUE TECHNOLOGY

Easier control of water flow thanks to Due technology, which presents a slight resistance to indicate that the fitting is using approximately a 50% of its flow. This feature allows **saving up to 54% of daily water consumption.**



FEATURES



SOFT

Up to 40% softer lever operation than standard cartridges thanks to a clutched ceramic operation design.



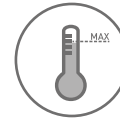
FLOW LIMITER

Limit maximum water flow for water saving.



DUE

Water flow optimization thanks to a mid-way stop at 60% of the lever stroke that provides up to 50% water saving.



TEMPERATURE LIMITER

Limit maximum temperature in 7 selectable stops for energy saving and to avoid scalding.



ECO

Cartridges identified with an ECO icon offer at least one environmental sustainability feature.

VERSIONS WITH LIMITERS

TEMPERATURE LIMITER FUNCTION (TR)

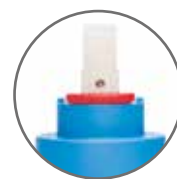
Endura cartridge has an optional ring called TR that allows limiting maximum temperature in 7 selectable stops, enabling an anti-scalding safety feature.



position	15° l/min	65° l/min	°C 3bar
1	16	4	26°
2	12,5	7,5	35°
3	9	11	43°
4	5	15	50°
5	2	18	56°
6	1	19	61°
7	0	20	65°

TEMPERATURE & FLOW LIMITER FUNCTION (TRN)

TRN technology, in addition to limit temperature, allows water saving at the same time thanks to a flow limiter.



The flow can be limited thanks to the screw located in the cartridge lever. By turning the screw, the flow obtained will be reduced, **saving up to 22% of daily water consumption.**



SN-35 C/D

ENDURA DUE

REF.08SN35L3001



DOWNLOAD
DATA SHEET

SN-35 S/D

ENDURA DUE

REF.08SN35S3001



DOWNLOAD
DATA SHEET

OTHER VERSIONS

Temperature limiter (TR)
Temperature & flow limiter (TRN)

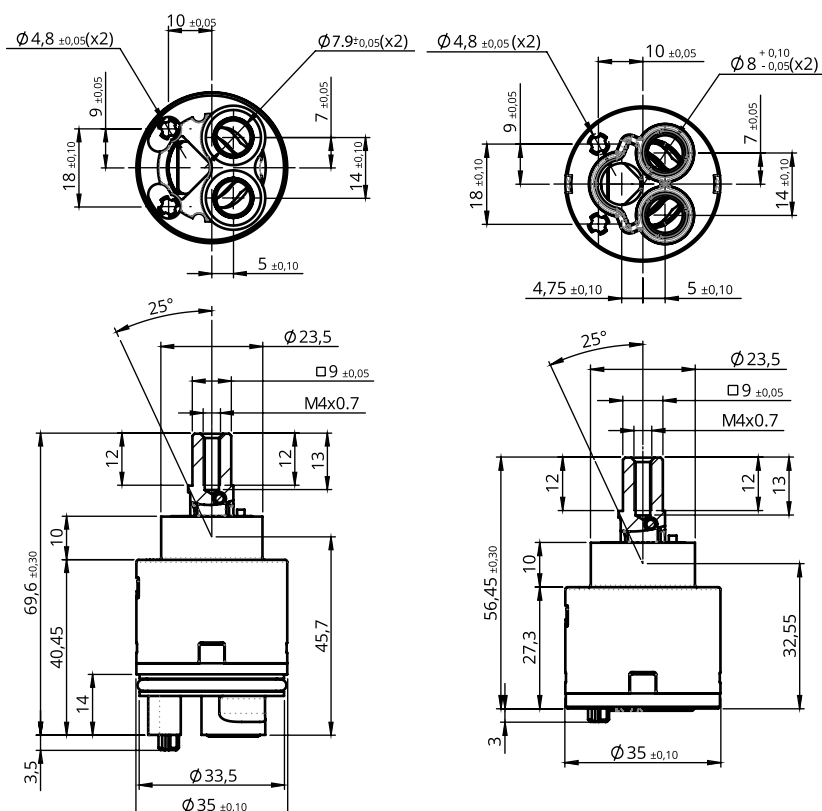
C/D

REF.08SN35L5701
on demand

S/D

REF.08SN35S5701
on demand

DIMENSIONS



* Find machining requirements on pages 116-119.

RECOMMENDED APPLICATIONS



WASHBASINS

Specially designed for washbasins.



BATH-SHOWERS

Specially designed for bath showers.



KITCHENS

Suitable for use in kitchens.

CERTIFICATIONS



TECHNICAL SPECIFICATIONS

General	C/D	S/D
Nut torque pitch M1.5	10-12Nm	10-12Nm
Opening angle	25°	25°
Rotation angle	90°	90°
Working pressure (recommended)	1 - 5 bar	1 - 5 bar
Burst pressure	>50 bar	>50 bar
Life cycle - EN 817 NF U3	175,000 cycles	175,000 cycles
x2 ASME	1,000,000 cycles	1,000,000 cycles
x2 GB18145	140,000 cycles	140,000 cycles
Sensitivity	>12 mm	>12 mm
Fidelity	<2°	<2°
Constant 63°C & 50°C (6 l/min - 3 l/min)	<4°C - <6°C	<4°C - <6°C
Max. hot water*	90 °C	90 °C

Operation Torque	C/D	S/D
Open-close	0.20-0.35 Nm	0.20-0.35 Nm
Turn left-right	0.20-0.40 Nm	0.20-0.40 Nm

Noise level	C/D	S/D
Noise level	20 ± 2 dB	20 ± 2 dB

Flow rate (free flow)	C/D	S/D
at 0.2 bar	7.8 l/min	7.4 l/min
at 1 bar	17.1 l/min	16.4 l/min
at 3 bar	29.5 l/min	28.2 l/min
at 5 bar	38 l/min	36.4 l/min

Only applies to officially listed products.
Tested at Sedal's lab with Sedal's standard faucet
*Peak or limited time condition.

SN-35 ENDURA COLD

DESCRIPTION

35mm cartridge with an extraordinary endurance: 2x standard life cycling tests, thanks to SedalOX® ceramics reinforced with our exclusive Nano Shelter Technology and a complete set of technologies. It also includes SN system, which provides the cartridge with a unique smoothness of operation, TRN technology for maximum water saving and control. This cartridge opens in cold position, with an open angle of 20° to the right and 90° to the left.

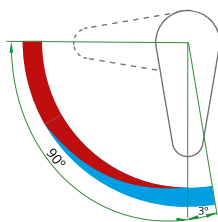
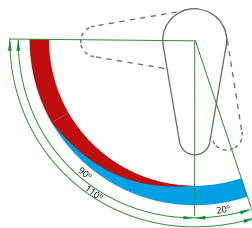
ADVANTAGES

ADDITIONAL FEATURES

SN-35 Endura Cold C110 has the same advantages than SN-35 Endura, but with cold technology as an additional feature.

COLD TECHNOLOGY

The lever is in cold position by default, **saving up to 10% from the household energy consumption** related to plumbing products.



FEATURES



SOFT

Up to 40% softer lever operation than standard cartridges thanks to a clutched ceramic operation design.



FLOW LIMITER

Limit maximum water flow for water saving.



COLD

Energy saving feature thanks to the internal design of the cartridge, flowing cold water when the lever is centered.



TEMPERATURE LIMITER

Limit maximum temperature in 7 selectable stops for energy saving and to avoid scalding.



ECO

Cartridges identified with an ECO icon offer at least one environmental sustainability feature.

VERSIONS WITH LIMITERS

TEMPERATURE LIMITER FUNCTION (TR)

Endura cartridge has an optional ring called TR that allows limiting maximum temperature in 7 selectable stops, enabling an anti-scalding safety feature.



45° TURN



21° TURN

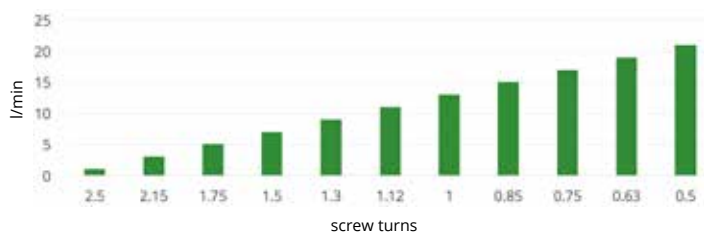
position	15° l/min	65° l/min	°C 3bar
1	16	4	26°
2	12,5	7,5	35°
3	9	11	43°
4	5	15	50°
5	2	18	56°
6	1	19	61°
7	0	20	65°

TEMPERATURE & FLOW LIMITER FUNCTION (TRN)

TRN technology, in addition to limit temperature, allows water saving at the same time thanks to a flow limiter.



The flow can be limited thanks to the screw located in the cartridge lever. By turning the screw, the flow obtained will be reduced, **saving up to 22% of daily water consumption.**



SN-35 C/D

ENDURA COLD

REF.08SN35L1502



DOWNLOAD
DATA SHEET

SN-35 S/D

ENDURA COLD

REF.08SN35S1502

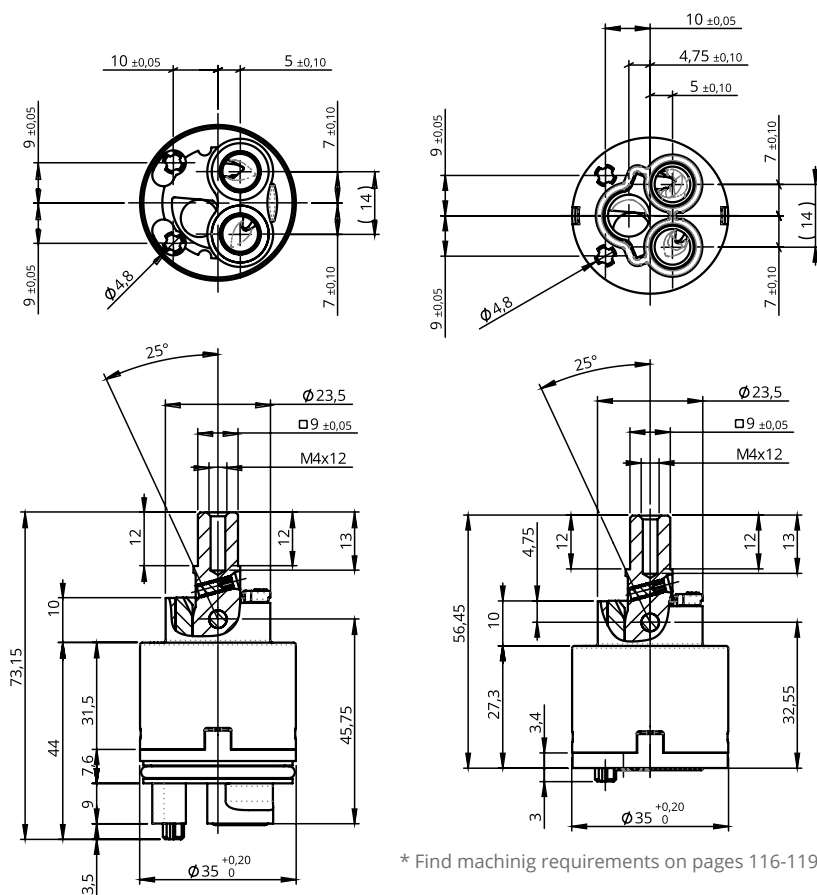


DOWNLOAD
DATA SHEET

OTHER VERSIONS

	C/D	S/D
Temperature limiter (TR)	REF.08SN35L2501	REF.08SN35S2501
Temperature & flow limiter (TRN)	REF.08SN35L4001	REF.08SN35S4001
Version 93° Rotation Angle	REF.08SN35L1504	REF.08SN35S1504

DIMENSIONS



* Find machining requirements on pages 116-119.

RECOMMENDED APPLICATIONS



WASHBASINS

Specially designed for washbasins.



KITCHENS

Suitable for use in kitchens.

CERTIFICATIONS



TECHNICAL SPECIFICATIONS

General	C/D	S/D
Nut torque pitch M1.5	10-12Nm	10-12Nm
Opening angle	25°	25°
Rotation angle	110°/ 93°	110°/ 93°
Working pressure (recommended)	1 - 5 bar	1 - 5 bar
Burst pressure	>50 bar	>50 bar
Life cycle - EN 817 NF U3	175,000 cycles	175,000 cycles
x2 ASME	1,000,000 cycles	1,000,000 cycles
x2 GB18145	140,000 cycles	140,000 cycles
Sensitivity	>12 mm	>12 mm
Fidelity	<2°	<2°
Max. hot water*	90 °C	90 °C

Operation Torque	C/D	S/D
Open-close	0.20-0.35 Nm	0.20-0.35 Nm
Turn left-right	0.15-0.30 Nm	0.15-0.30 Nm

Noise level	C/D	S/D
Noise level	20 ± 2 dB	18.7 ± 2 dB

Flow rate (free flow)	C/D	S/D
at 0.5 bar	5.4 l/min	5.4 l/min
at 1 bar	7.8 l/min	7.7 l/min
at 3 bar	13.6 l/min	13.5 l/min
at 5 bar	17.1 l/min	17.6 l/min

FLOW FIGURES AT COLD POSITION

Only applies to officially listed products.
Tested at Sedal's lab with Sedal's standard faucet
*Peak or limited time condition.

SN-35 ENDURA

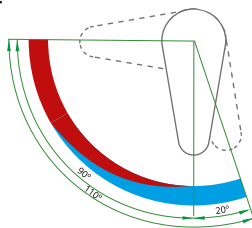
COLD DUE

DESCRIPTION

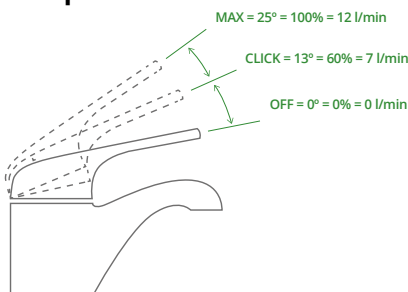
35mm cartridge with an extraordinary endurance: 2x standard life cycling tests, thanks to SedalOX® ceramics reinforced with our exclusive Nano Shelter Technology and a complete set of technologies. It also includes SN system, which provides the cartridge with a unique smoothness of operation, DUE for water saving and TR and TRN versions for water flow and temperature control. This cartridge opens in cold position.

ADVANTAGES

- **ADDITIONAL FEATURES**
SN-35 Endura C3 has the same advantages than SN-35 Endura, but with cold and due technologies as additional features.
- **COLD TECHNOLOGY**
The lever is in cold position by default, **saving up to 10% from the household energy consumption** related to plumbing products.



- **DUE TECHNOLOGY**
Easier control of water flow thanks to Due technology, which presents a slight resistance to indicate that the fitting is using approximately a 50% of its flow. This feature allows **saving up to 54% of daily water consumption**.



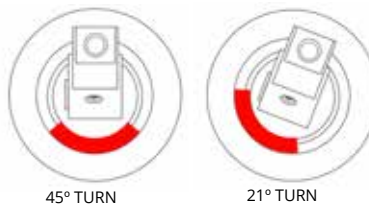
FEATURES

- **SOFT**
Up to 40% softer lever operation than standard cartridges thanks to a clutched ceramic operation design.
- **TEMPERATURE LIMITER**
Limit maximum temperature in 7 selectable stops for energy saving and to avoid scalding.
- **DUE**
Water flow optimization thanks to a mid-way stop at 60% of the lever stroke that provides up to 50% water saving.
- **FLOW LIMITER**
Limit maximum water flow for water saving.
- **COLD**
Energy saving feature thanks to the internal design of the cartridge, flowing cold water when the lever is centered.
- **ECO**
Cartridges identified with an ECO icon offer at least one environmental sustainability feature.

VERSIONS WITH LIMITERS

TEMPERATURE LIMITER FUNCTION (TR)

Endura cartridge has an optional ring called TR that allows limiting maximum temperature in 7 selectable stops, enabling an anti-scalding safety feature.



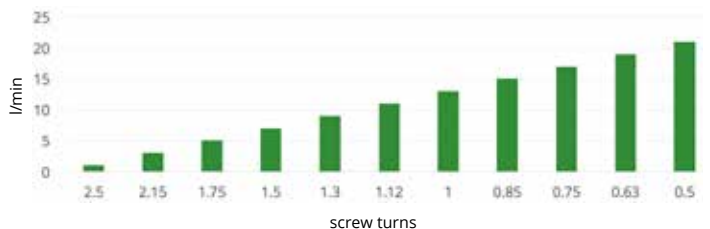
position	15° l/min	65° l/min	°C 3bar
1	16	4	26°
2	12,5	7,5	35°
3	9	11	43°
4	5	15	50°
5	2	18	56°
6	1	19	61°
7	0	20	65°

TEMPERATURE & FLOW LIMITER FUNCTION (TRN)

TRN technology, in addition to limit temperature, allows water saving at the same time thanks to a flow limiter.



The flow can be limited thanks to the screw located in the cartridge lever. By turning the screw, the flow obtained will be reduced, **saving up to 22% of daily water consumption**.



SN-35 C/D

ENDURA
COLD DUE

REF.08SN35L0004



DOWNLOAD
DATA SHEET

SN-35 S/D

ENDURA
COLD DUE

REF.08SN35S0004



DOWNLOAD
DATA SHEET

RECOMMENDED APPLICATIONS



WASHBASINS

Specially designed for washbasins.



KITCHENS

Suitable for use in kitchens.

CERTIFICATIONS



TECHNICAL SPECIFICATIONS

General	C/D	S/D
Nut torque pitch M1.5	10-12Nm	10-12Nm
Opening angle	25°	25°
Rotation angle	110°	110°
Working pressure (recommended)	1 - 5 bar	1 - 5 bar
Burst pressure	>50 bar	>50 bar
Life cycle - EN 817 NF U3	175,000 cycles	175,000 cycles
x2 ASME	1,000,000 cycles	1,000,000 cycles
x2 GB18145	140,000 cycles	140,000 cycles
Sensitivity	>12 mm	>12 mm
Fidelity	<2°	<2°
Max. hot water*	90 °C	90 °C

Operation Torque	C/D	S/D
Open-close	0.15-0.35 Nm	0.15-0.35 Nm
Turn left-right	0.15-0.35 Nm	0.15-0.35 Nm

Noise level	C/D	S/D
Noise level	20 ± 2 dB	18.7 ± 2 dB

Flow rate (free flow)	C/D	S/D
at 0.5 bar	5.4 l/min	5.4 l/min
at 1 bar	7.8 l/min	7.7 l/min
at 3 bar	13.6 l/min	13.5 l/min
at 5 bar	17.1 l/min	17.6 l/min

Only applies to officially listed products.
Tested at Sedal's lab with Sedal's standard faucet
*Peak or limited time condition.

OTHER VERSIONS

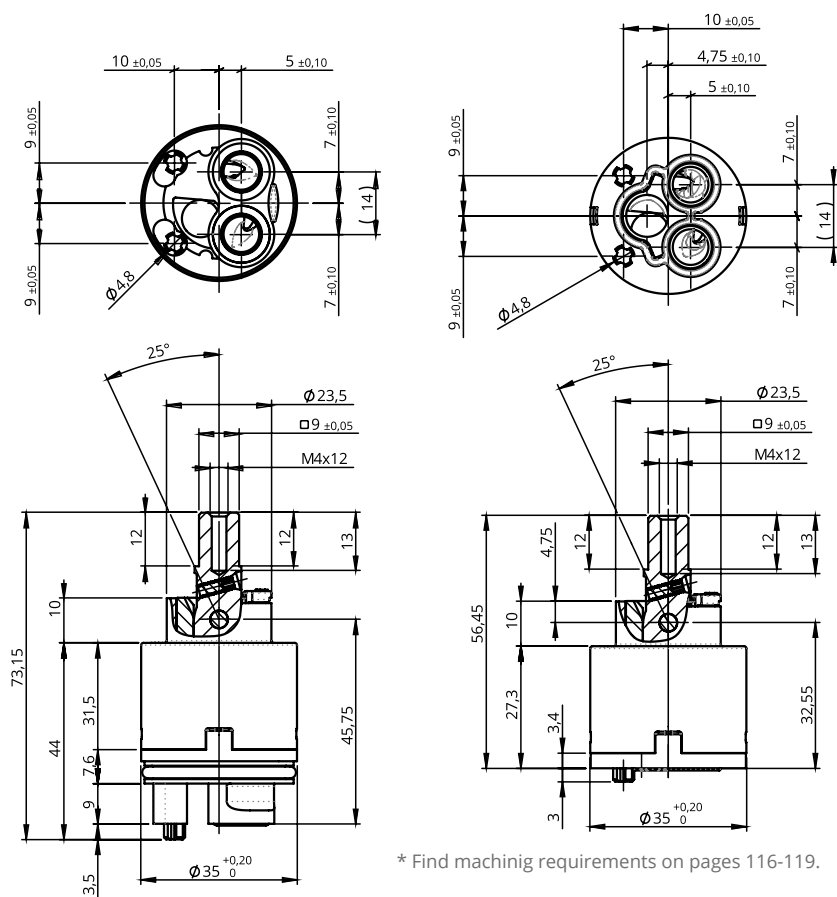
Temperature limiter (TR)
Temperature & flow limiter (TRN)

REF.08SN35L5001	REF.08SN35S5001
REF.08SN35L5501	REF.08SN35S5501

C/D

S/D

DIMENSIONS



* Find machining requirements on pages 116-119.

EN-35 ENDURA

DESCRIPTION

35mm cartridge with an extraordinary endurance: 2x standard life cycling tests, thanks to SedalOX® ceramics reinforced with our exclusive Nano Shelter Technology and a complete set of technologies. It also includes TR and TRN versions for water and energy saving.

ADVANTAGES

- **HIGH-PRECISION COMPONENTS**
High precision components and excellent performing materials.
- **A BUNCH OF TECHNOLOGY**
A complete set of high tech solutions:
 - Glide Feel Technology for a perfectly smooth operation
 - Ceramic Nano Shelter Technology for extra durability,
 - Noise Cancelling Technology
 - AccuDue Technology to save water
- **DOUBLE LIFE-CYCLE**
The new ENDURA features SedalOX™ 96, which allows an extended life cycling. The result is more than double ASME and EN standard cycles in life tests.
- **GREAT RANGE. GREATER POSSIBILITIES**
The new ENDURA 35 range provides the manufacturer with 18 different options to develop its products and more than 100 potential combinations.

FEATURES



TEMPERATURE LIMITER

Limit maximum temperature in 7 selectable stops for energy saving and to avoid scalding.



ECO

Cartridges identified with an ECO icon offer at least one environmental sustainability feature.



FLOW LIMITER

Limit maximum water flow for water saving.

VERSIONS WITH LIMITERS

TEMPERATURE LIMITER FUNCTION (TR)

Endura cartridge has an optional ring called TR that allows limiting maximum temperature in 7 selectable stops, enabling an anti-scalding safety feature.



45° TURN



21° TURN

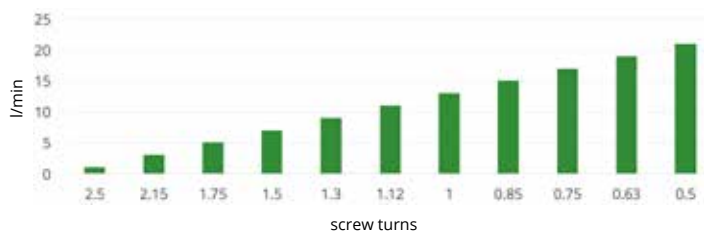
position	15° l/min	65° l/min	°C 3bar
1	16	4	26°
2	12,5	7,5	35°
3	9	11	43°
4	5	15	50°
5	2	18	56°
6	1	19	61°
7	0	20	65°

TEMPERATURE & FLOW LIMITER FUNCTION (TRN)

TRN technology, in addition to limit temperature, allows water saving at the same time thanks to a flow limiter.



The flow can be limited thanks to the screw located in the cartridge lever. By turning the screw, the flow obtained will be reduced, **saving up to 22% of daily water consumption.**



EN-35 C/D

ENDURA

REF.08EN35L0004



DOWNLOAD DATA SHEET

EN-35 S/D

ENDURA

REF.08EN35S0004

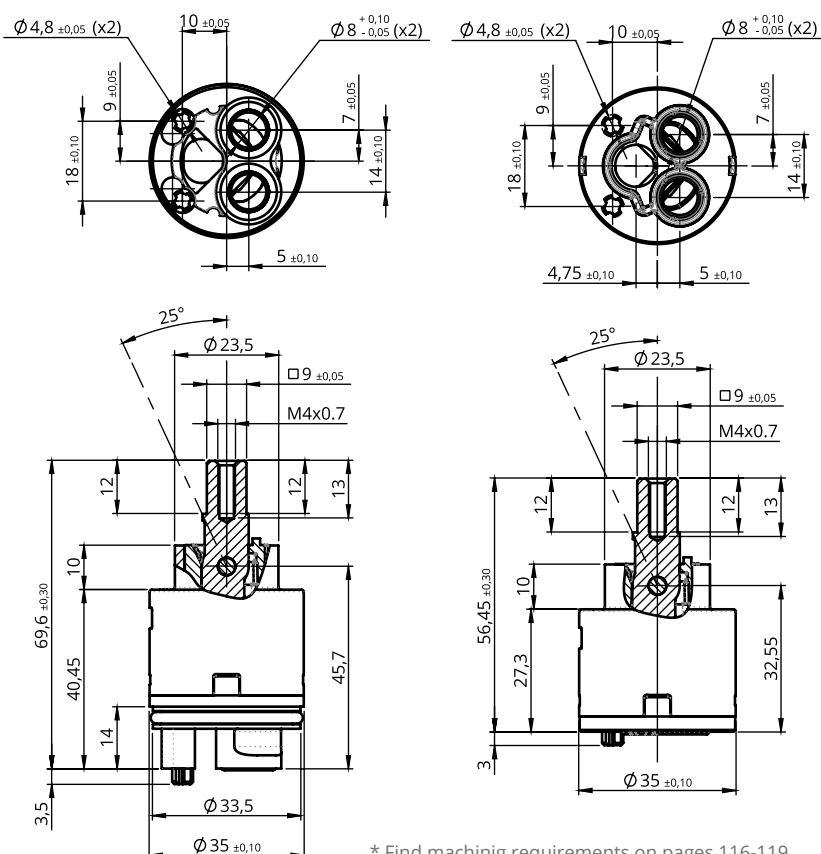


DOWNLOAD DATA SHEET

OTHER VERSIONS

	C/D	S/D
Temperature limiter (TR)	REF.08EN35L5401	REF.08EN35S5401
Temperature & flow limiter (TRN)	REF.08EN35L4501	REF.08EN35S4501

DIMENSIONS



* Find machining requirements on pages 116-119.

RECOMMENDED APPLICATIONS



WASHBASINS

Specially designed for washbasins.



BATH-SHOWERS

Specially designed for bath showers.



KITCHENS

Suitable for use in kitchens.

CERTIFICATIONS



TECHNICAL SPECIFICATIONS

General	C/D	S/D
Nut torque pitch M1.5	10-12Nm	10-12Nm
Opening angle	25°	25°
Rotation angle	90°	90°
Working pressure (recommended)	1 - 5 bar	1 - 5 bar
Burst pressure	>50 bar	>50 bar
Life cycle - EN 817		
NF U3	175,000 cycles	175,000 cycles
x2 ASME	1,000,000 cycles	1,000,000 cycles
x2 GB18145	140,000 cycles	140,000 cycles
Sensitivity	>12 mm	>12 mm
Fidelity	<2°	<2°
Constant 63 °C & 50 °C (6 l/min - 3 l/min)	<4°C - <6°C	<4 °C - <6°C
Max. hot water*	90 °C	90 °C

Operation Torque	C/D	S/D
Open-close	0.20-0.35 Nm	0.20-0.35 Nm
Turn left-right	0.20-0.35 Nm	0.20-0.35 Nm

Noise level	C/D	S/D
Noise level	20 ± 2 dB	20 ± 2 dB

Flow rate (free flow)	C/D	S/D
at 0.2 bar	7.4 l/min	7 l/min
at 1 bar	16 l/min	15.4 l/min
at 3 bar	27.7 l/min	26.1 l/min
at 5 bar	36 l/min	33.9 l/min

Only applies to officially listed products.
Tested at Sedal's lab with Sedal's standard faucet
*Peak or limited time condition.

EN-35 ENDURA DUE

DESCRIPTION

35mm cartridge with an extraordinary endurance: 2x standard life cycling tests, thanks to SedalOX® ceramics reinforced with our exclusive Nano Shelter Technology and a complete set of technologies. It also includes DUE and TR technologies for water saving and control.

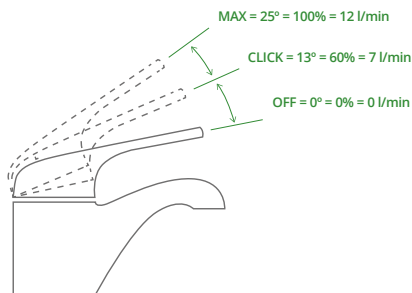
ADVANTAGES

ADDITIONAL FEATURES

EN-35 Endura Due has the same advantages than EN-35 Endura, but with due technology as an additional feature.

DUE TECHNOLOGY

Easier control of water flow thanks to Due technology, which presents a slight resistance to indicate that the fitting is using approximately a 50% of its flow. This feature allows **saving up to 54% of daily water consumption.**



FEATURES



DUE

Water flow optimization thanks to a mid-way stop at 60% of the lever stroke that provides up to 50% water saving.



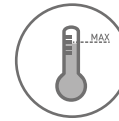
FLOW LIMITER

Limit maximum water flow for water saving.



ECO

Cartridges identified with an ECO icon offer at least one environmental sustainability feature.



TEMPERATURE LIMITER

Limit maximum temperature in 7 selectable stops for energy saving and to avoid scalding.

VERSIONS WITH LIMITERS

TEMPERATURE LIMITER FUNCTION (TR)

Endura cartridge has an optional ring called TR that allows limiting maximum temperature in 7 selectable stops, enabling an anti-scalding safety feature.



45° TURN

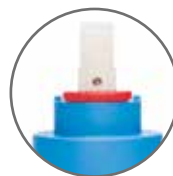


21° TURN

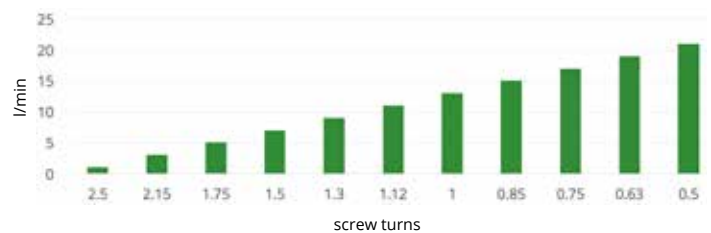
position	15° l/min	65° l/min	°C 3bar
1	16	4	26°
2	12,5	7,5	35°
3	9	11	43°
4	5	15	50°
5	2	18	56°
6	1	19	61°
7	0	20	65°

TEMPERATURE & FLOW LIMITER FUNCTION (TRN)

TRN technology, in addition to limit temperature, allows water saving at the same time thanks to a flow limiter.



The flow can be limited thanks to the screw located in the cartridge lever. By turning the screw, the flow obtained will be reduced, **saving up to 22% of daily water consumption.**



EN-35 C/D

ENDURA DUE

REF.08EN35L3001



DOWNLOAD
DATA SHEET

EN-35 S/D

ENDURA DUE

REF.08EN35S3001



DOWNLOAD
DATA SHEET

OTHER VERSIONS

Temperature limiter (TR)
Temperature & flow limiter (TRN)

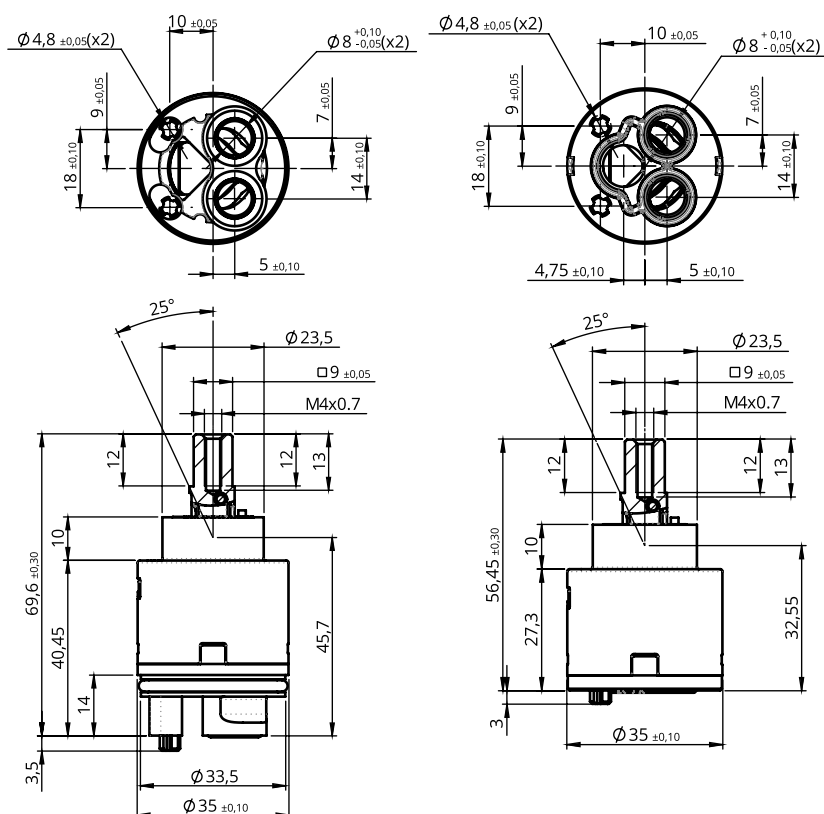
C/D

REF.08EN35L5701
on demand

S/D

REF.08EN35S5701
on demand

DIMENSIONS



* Find machining requirements on pages 116-119.

RECOMMENDED APPLICATIONS



WASHBASINS

Specially designed for washbasins.



BATH-SHOWERS

Specially designed for bath showers.



KITCHENS

Suitable for use in kitchens.

CERTIFICATIONS



TECHNICAL SPECIFICATIONS

General	C/D	S/D
Nut torque pitch M1.5	10-12Nm	10-12Nm
Opening angle	25°	25°
Rotation angle	90°	90°
Working pressure (recommended)	1 - 5 bar	1 - 5 bar
Burst pressure	>50 bar	>50 bar
Life cycle - EN 817 NF U3	175,000 cycles	175,000 cycles
x2 ASME	1,000,000 cycles	1,000,000 cycles
x2 GB18145	140,000 cycles	140,000 cycles
Sensitivity	>12 mm	>12 mm
Fidelity	<2°	<2°
Constant 63 °C & 50 °C (6 l/min - 3 l/min)	<4°C - <6°C	<4 C - <6°C
Max. hot water*	90 °C	90 °C

Operation Torque	C/D	S/D
Open-close	0.20-0.40 Nm	0.20-0.40 Nm
Turn left-right	0.20-0.40 Nm	0.20-0.40 Nm

Noise level	C/D	S/D
Noise level	22 ± 2 dB	24,5 ± 2 dB

Flow rate (free flow)	C/D	S/D
at 0.2 bar	7.4 l/min	7 l/min
at 1 bar	16 l/min	15.4 l/min
at 3 bar	27.7 l/min	26.1 l/min
at 5 bar	36 l/min	33.9 l/min

Only applies to officially listed products.
Tested at Sedal's lab with Sedal's standard faucet
*Peak or limited time condition.

EN-35 ENDURA

COLD

DESCRIPTION

35mm cartridge with an extraordinary endurance: 2x standard life cycling tests, thanks to SedalOX® ceramics reinforced with our exclusive Nano Shelter Technology and a complete set of technologies. It also includes TRN technology for maximum water saving and control. This cartridge opens in cold position, with an open angle of 20° to the right and 90° to the left.

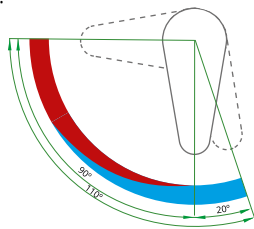
ADVANTAGES

ADDITIONAL FEATURES

EN-35 Endura Cold C110 has the same advantages than EN-35 Endura, but with cold technology as an additional feature.

COLD TECHNOLOGY

The lever is in cold position by default, **saving up to 10% from the household energy consumption** related to plumbing products.



FEATURES



COLD

Energy saving feature thanks to the internal design of the cartridge, flowing cold water when the lever is centered.



TEMPERATURE LIMITER

Limit maximum temperature in 7 selectable stops for energy saving and to avoid scalding.



ECO

Cartridges identified with an ECO icon offer at least one environmental sustainability feature.



FLOW LIMITER

Limit maximum water flow for water saving.

VERSIONS WITH LIMITERS

TEMPERATURE LIMITER FUNCTION (TR)

Endura cartridge has an optional ring called TR that allows limiting maximum temperature in 7 selectable stops, enabling an anti-scalding safety feature.



45° TURN



21° TURN

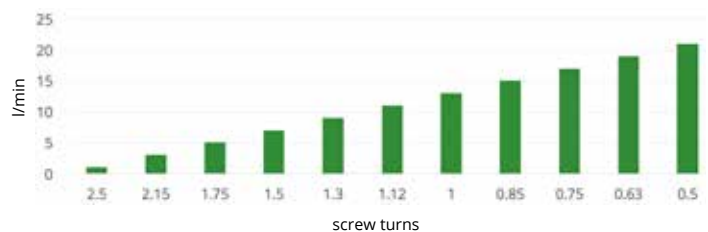
position	15° l/min	65° l/min	°C 3bar
1	16	4	26°
2	12,5	7,5	35°
3	9	11	43°
4	5	15	50°
5	2	18	56°
6	1	19	61°
7	0	20	65°

TEMPERATURE & FLOW LIMITER FUNCTION (TRN)

TRN technology, in addition to limit temperature, allows water saving at the same time thanks to a flow limiter.



The flow can be limited thanks to the screw located in the cartridge lever. By turning the screw, the flow obtained will be reduced, **saving up to 22% of daily water consumption**.



EN-35 C/D

ENDURA COLD

REF.08EN35L1503



DOWNLOAD DATA SHEET

EN-35 S/D

ENDURA COLD

REF.08EN35S1503



DOWNLOAD DATA SHEET

RECOMMENDED APPLICATIONS



WASHBASINS

Specially designed for washbasins.



KITCHENS

Suitable for use in kitchens.

CERTIFICATIONS



TECHNICAL SPECIFICATIONS

General	C/D	S/D
Nut torque pitch M1.5	10-12Nm	10-12Nm
Opening angle	25°	25°
Rotation angle	110° ± 2	110° ± 2
Working pressure (recommended)	1 - 5 bar	1 - 5 bar
Burst pressure	55-60 bar	55-60 bar
Life cycle - EN 817 NF U3	175,000 cycles	175,000 cycles
x2 ASME	1,000,000 cycles	1,000,000 cycles
x2 GB18145	140,000 cycles	140,000 cycles
Sensitivity	12°-14° angle	12°-14° angle
Fidelity	<1°	<1°
Constant 63°C & 50°C (6 l/min - 3 l/min)	<0.5°C - <1.2°C	<0.5°C - <1.2°C
Max. hot water*	90 °C	90 °C

Operation Torque	C/D	S/D
Open-close	0.20-0.40 Nm	0.20-0.40 Nm
Turn left-right	0.20-0.40 Nm	0.20-0.40 Nm

Flow rate (free flow)	C/D	S/D
at 0.2 bar	3.4 l/min	3 l/min
at 1 bar	8 l/min	6.7 l/min
at 3 bar	13.8 l/min	11.8 l/min
at 5 bar	18.5 l/min	15.3 l/min

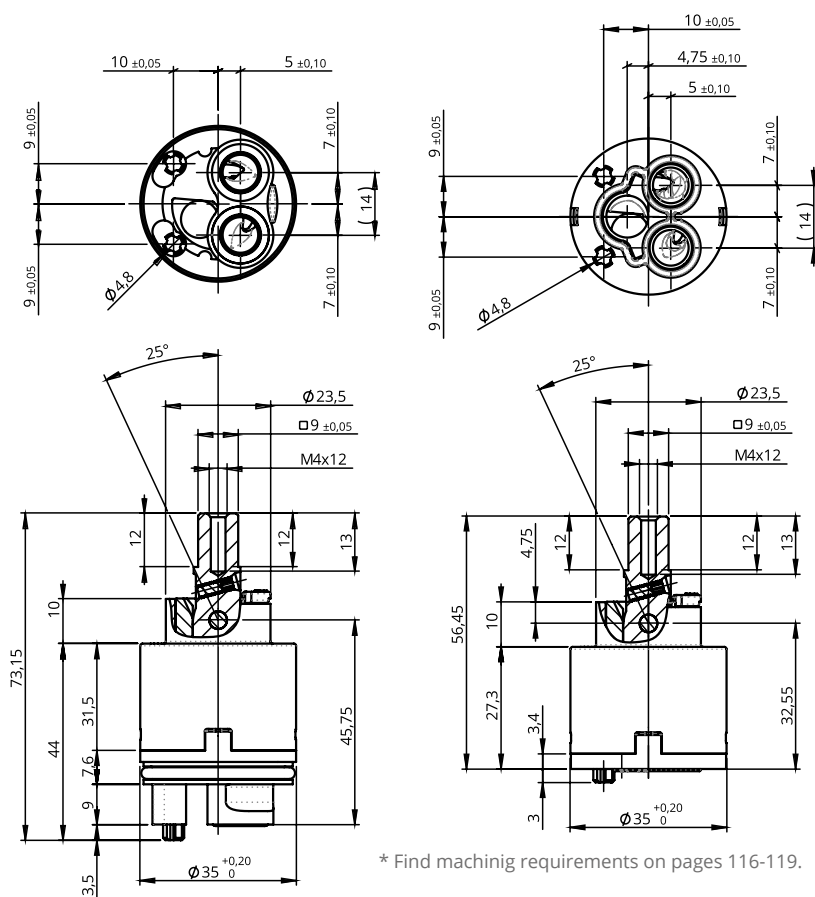
Only applies to officially listed products.
Tested at Sedal's lab with Sedal's standard faucet
*Peak or limited time condition.

OTHER VERSIONS

Temperature limiter (TR)
Temperature & flow limiter (TRN)

C/D	S/D
REF.08EN35L2501	REF.08EN35S2501
REF.08EN35L4001	REF.08EN35S4001

DIMENSIONS



* Find machining requirements on pages 116-119.

EN-35 ENDURA

COLD MIRROR

DESCRIPTION

35mm cartridge with an extraordinary endurance: 2x standard life cycling tests, thanks to SedalOX® ceramics reinforced with our exclusive Nano Shelter Technology and a complete set of technologies. This cartridge is specially useful for kitchen applications in which the handle would touch the wall. It includes COLD technology for energy saving.

ADVANTAGES

● ADDITIONAL FEATURES

EN-35 Endura Cold Mirror has the same advantages than EN-35 Endura, but with cold and mirror technologies as additional features.

● SPECIALLY DESIGNED FOR KITCHEN APPLICATIONS

Mirror version has been specifically designed for kitchen applications, avoiding the inconvenience of the handle touching the wall.

FEATURES



COLD

Energy saving feature thanks to the internal design of the cartridge, flowing cold water when the lever is centered.



MIRROR

Movement from right to left to obtain hot water.

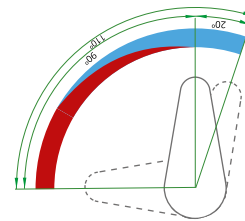


ECO

Cartridges identified with an ECO icon offer at least one environmental sustainability feature.

● COLD TECHNOLOGY

The lever is in cold position by default, **saving up to 10% from the household energy consumption** related to plumbing products.



EN-35 C/D

ENDURA COLD
MIRROR

REF.08EN35L1505



DOWNLOAD
DATA SHEET

EN-35 S/D

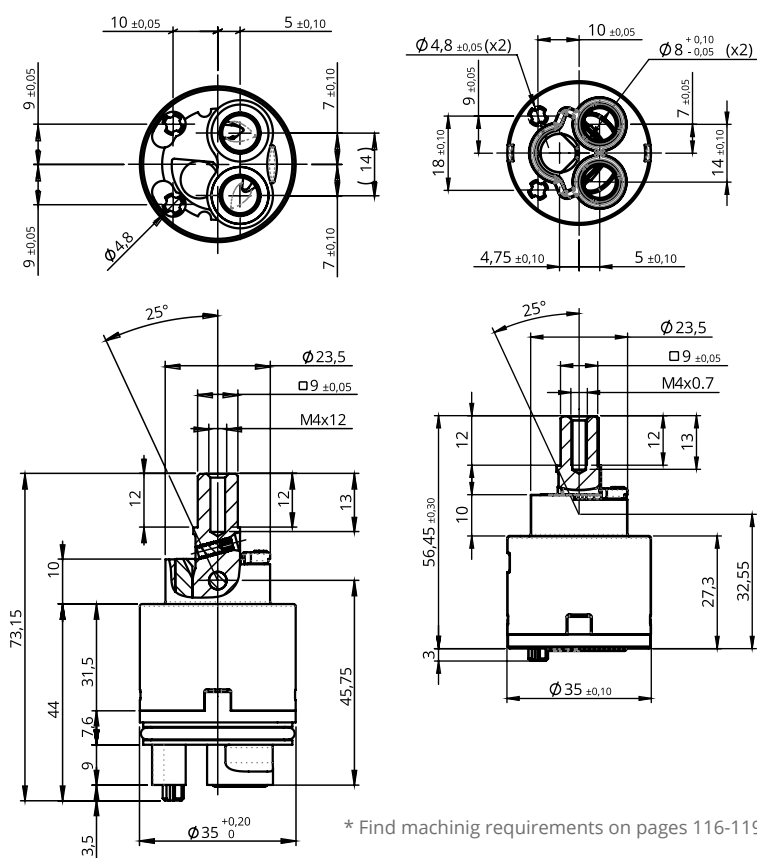
ENDURA COLD
MIRROR

REF.08EN35S1505



DOWNLOAD
DATA SHEET

DIMENSIONS



* Find machining requirements on pages 116-119.

RECOMMENDED APPLICATIONS



KITCHENS

Suitable for use in
kitchens.

CERTIFICATIONS



TECHNICAL SPECIFICATIONS

General	C/D	S/D
Nut torque pitch M1.5	10-12Nm	10-12Nm
Opening angle	25°	25°
Rotation angle	110° ± 2	110°
Working pressure	1 - 5 bar	1 - 5 bar
Burst pressure (recommended)	55-60 bar	>50 bar
Life cycle - EN 817 NF U3	175,000 cycles	175,000 cycles
x2 ASME	1,000,000 cycles	1,000,000 cycles
x2 GB18145	140,000 cycles	140,000 cycles
Sensitivity	12°-14° angle	>12 mm
Fidelity	<1°	<2°
Constant 63°C & 50°C (6 l/min - 3 l/min)	<0.5°C - <1.2°C	<4 C - <6°C
Max. hot water*	90 °C	90 °C

Operation Torque	C/D	S/D
Open-close	0.20-0.40 Nm	0.20-0.40 Nm
Turn left-right	0.20-0.40 Nm	0.20-0.40 Nm

Noise level	C/D	S/D
Noise level	-	24.5 ± 2 dB

Flow rate (free flow)	C/D	S/D
at 0.5 bar	3.4 l/min	4.8 l/min
at 1 bar	8 l/min	6.7 l/min
at 3 bar	13.8 l/min	11.8 l/min
at 5 bar	18.5 l/min	15.3 l/min

Only applies to officially listed products.
Tested at Sedal's lab with Sedal's standard faucet
*Peak or limited time condition.

EN-35 ENDURA

COLD DUE

DESCRIPTION

35mm cartridge with an extraordinary endurance: 2x standard life cycling tests, thanks to SedalOX® ceramics reinforced with our exclusive Nano Shelter Technology and a complete set of technologies. It also includes TRN technology for temperature and flow control and DUE for water saving. This cartridge opens in cold position.

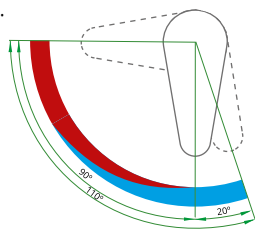
ADVANTAGES

● **ADDITIONAL FEATURES**

EN-35 Endura C3 has the same advantages than EN-35 Endura, but with cold and due technologies as additional features.

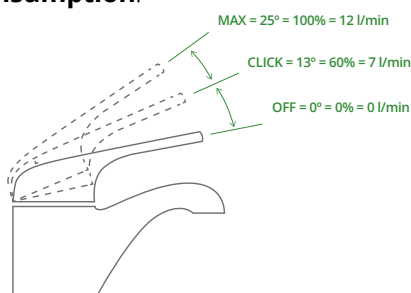
● **COLD TECHNOLOGY**

The lever is in cold position by default, **saving up to 10% from the household energy consumption** related to plumbing products.



● **DUE TECHNOLOGY**

Easier control of water flow thanks to Due technology, which presents a slight resistance to indicate that the fitting is using approximately a 50% of its flow. This feature allows **saving up to 54% of daily water consumption**.



FEATURES



COLD

Energy saving feature thanks to the internal design of the cartridge, flowing cold water when the lever is centered.



TEMPERATURE LIMITER

Limit maximum temperature in 7 selectable stops for energy saving and to avoid scalding.



DUE

Water flow optimization thanks to a mid-way stop at 60% of the lever stroke that provides up to 50% water saving.



FLOW LIMITER

Limit maximum water flow for water saving.



ECO

Cartridges identified with an ECO icon offer at least one environmental sustainability feature.

● **VERSIONS WITH LIMITERS**

TEMPERATURE LIMITER FUNCTION (TR)

Endura cartridge has an optional ring called TR that allows limiting maximum temperature in 7 selectable stops, enabling an anti-scalding safety feature.



45° TURN

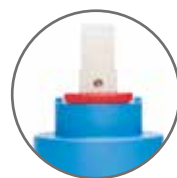


21° TURN

position	15° l/min	65° l/min	°C 3bar
1	16	4	26°
2	12,5	7,5	35°
3	9	11	43°
4	5	15	50°
5	2	18	56°
6	1	19	61°
7	0	20	65°

TEMPERATURE & FLOW LIMITER FUNCTION (TRN)

TRN technology, in addition to limit temperature, allows water saving at the same time thanks to a flow limiter.



The flow can be limited thanks to the screw located in the cartridge lever. By turning the screw, the flow obtained will be reduced, **saving up to 22% of daily water consumption**.



EN-35 C/D

ENDURA
COLD DUE

REF.08EN35L0005



DOWNLOAD
DATA SHEET

EN-35 S/D

ENDURA
COLD DUE

REF.08EN35S0005



DOWNLOAD
DATA SHEET

OTHER VERSIONS

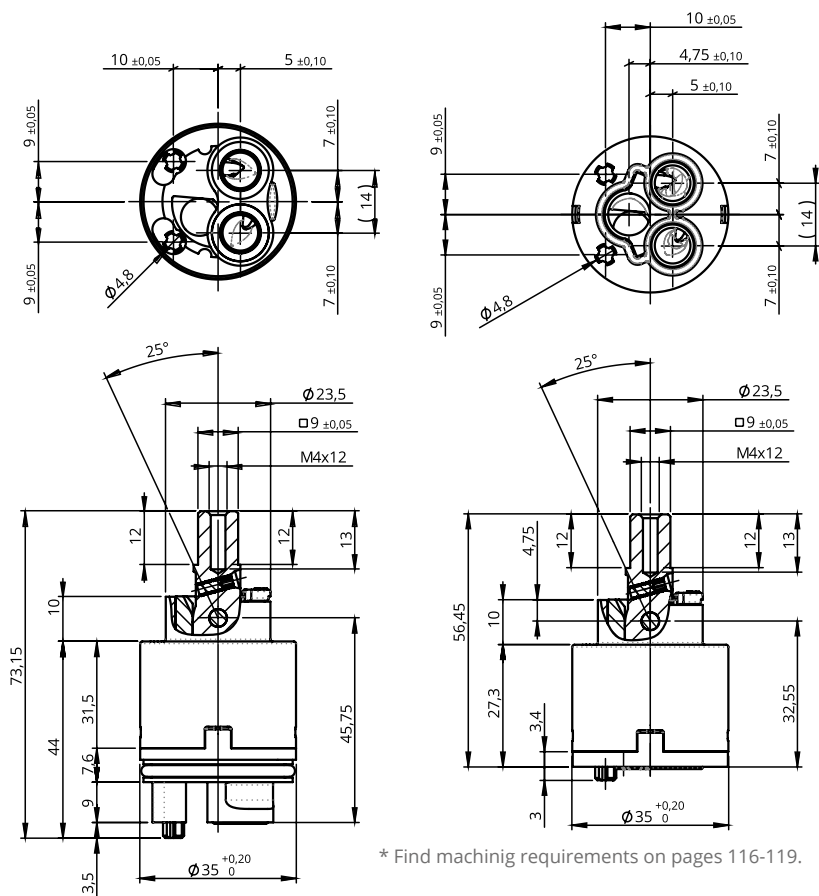
Temperature limiter (TR)
Temperature & flow limiter (TRN)

REF.08EN35L5001	REF.08EN35S5001
REF.08EN35L5501	REF.08EN35S5501

C/D

S/D

DIMENSIONS



* Find machining requirements on pages 116-119.

RECOMMENDED APPLICATIONS



WASHBASINS
Specially designed for washbasins.



KITCHENS
Suitable for use in kitchens.

CERTIFICATIONS



TECHNICAL SPECIFICATIONS

General	C/D	S/D
Nut torque pitch M1.5	10-12Nm	10-12Nm
Opening angle	25°	25°
Rotation angle	110° ± 2	110° ± 2
Working pressure (recommended)	1 - 5 bar	1 - 5 bar
Burst pressure	55-60 bar	55-60 bar
Life cycle - EN 817		
NFU3	175,000 cycles	175,000 cycles
x2 ASME	1,000,000 cycles	1,000,000 cycles
x2 GB18145	140,000 cycles	140,000 cycles
Sensitivity	12°-14° angle	12°-14° angle
Fidelity	<1°	<1°
Constant 63 °C & 50 °C (6 l/min - 3 l/min)	<0.5°C - <1.2°C	<0.5°C - <1.2°C
Max. hot water*	90 °C	90 °C

Operation Torque	C/D	S/D
Open-close	0.20-0.40 Nm	0.20-0.40 Nm
Turn left-right	0.20-0.40 Nm	0.20-0.40 Nm

Flow rate (free flow)	C/D	S/D
at 0.2 bar	3.4 l/min	3 l/min
at 1 bar	8 l/min	6.7 l/min
at 3 bar	13.8 l/min	11.8 l/min
at 5 bar	18.5 l/min	15.3 l/min

Only applies to officially listed products.
Tested at Sedal's lab with Sedal's standard faucet
*Peak or limited time condition.

EN-35 ENDURA

COLD MIRROR DUE

DESCRIPTION

35mm cartridge with an extraordinary endurance: 2x standard life cycling tests, thanks to SedalOX® ceramics reinforced with our exclusive Nano Shelter Technology and a complete set of technologies. This cartridge is specially useful for kitchen applications in which the handle would touch the wall. It also includes COLD technology for energy saving and DUE for water saving.

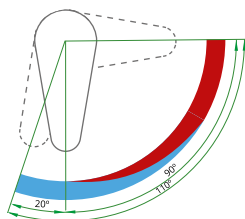
ADVANTAGES

● **ADDITIONAL FEATURES**

EN-35 Endura C3 mirror has the same advantages than EN-35 Endura, but with cold, due and mirror technologies as additional features.

● **COLD TECHNOLOGY**

The lever is in cold position by default, **saving up to 10% from the household energy consumption** related to plumbing products.



FEATURES



COLD

Energy saving feature thanks to the internal design of the cartridge, flowing cold water when the lever is centered.



DUE

Water flow optimization thanks to a mid-way stop at 60% of the lever stroke that provides up to 50% water saving.



ECO

Cartridges identified with an ECO icon offer at least one environmental sustainability feature.

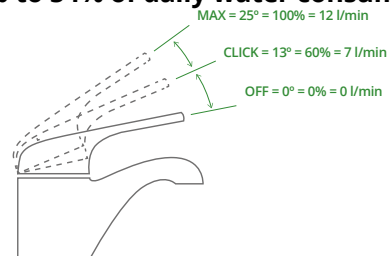


MIRROR

Movement from right to left to obtain hot water.

● **DUE TECHNOLOGY**

Easier control of water flow thanks to Due technology, which presents a slight resistance to indicate that the fitting is using approximately a 50% of its flow. This feature allows **saving up to 54% of daily water consumption.**



● **SPECIALLY DESIGNED FOR KITCHEN APPLICATIONS**

Mirror version has been specifically designed for kitchen applications, avoiding the inconvenience of the handle touching the wall.



EN-35 C/D

ENDURA COLD
MIRROR DUE

REF.08EN35L2002



DOWNLOAD
DATA SHEET

EN-35 S/D

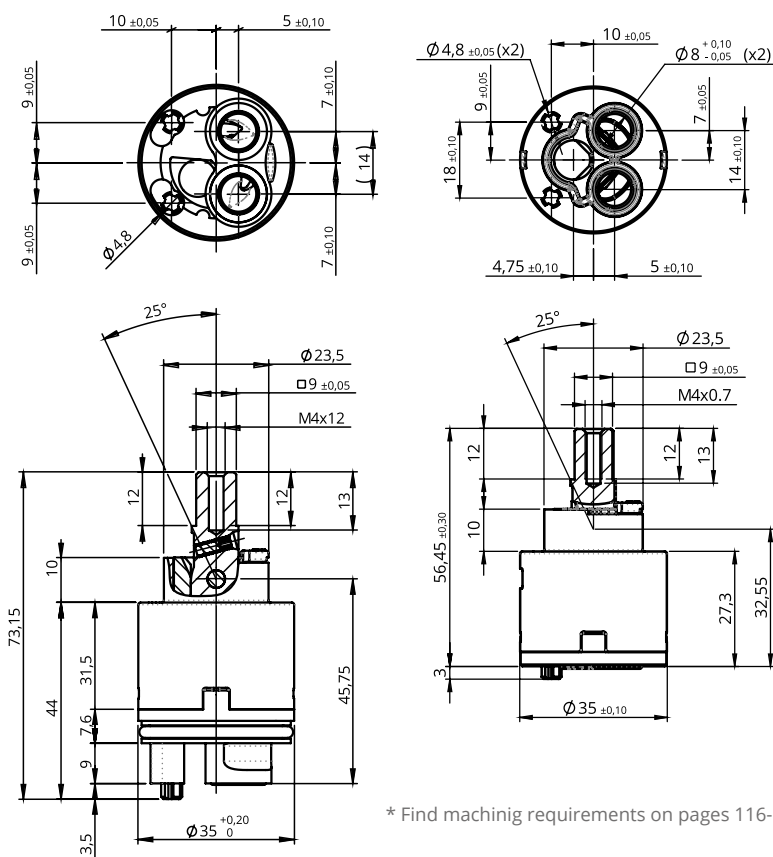
ENDURA COLD
MIRROR DUE

REF.08EN35S2002



DOWNLOAD
DATA SHEET

DIMENSIONS



* Find machining requirements on pages 116-119.

RECOMMENDED APPLICATIONS



KITCHENS

Suitable for use in kitchens.

CERTIFICATIONS



TECHNICAL SPECIFICATIONS

General	C/D	S/D
Nut torque pitch M1.5	10-12Nm	10-12Nm
Opening angle	25°	25°
Rotation angle	110° ± 2	110°
Working pressure (recommended)	1 - 5 bar	1 - 5 bar
Burst pressure	55-60 bar	>50 bar
Life cycle - EN 817 NF U3	175,000 cycles	175,000 cycles
x2 ASME	1,000,000 cycles	1,000,000 cycles
x2 GB18145	140,000 cycles	140,000 cycles
Sensitivity	12°-14° angle	>12 mm
Fidelity	<1°	<2°
Constant 63 °C & 50 °C (6 l/min - 3 l/min)	<0.5°C - <1.2°C	<4 C - <6°C
Max. hot water*	90 °C	90 °C

Operation Torque	C/D	S/D
Open-close	0.20-0.40 Nm	0.20-0.35 Nm
Turn left-right	0.20-0.40 Nm	0.20-0.35 Nm

Noise level	C/D	S/D
Noise level	24.5 ± 2 dB	24.5 ± 2 dB

Flow rate (free flow)	C/D	S/D
at 0.5 bar	3.4 l/min	5 l/min
at 1 bar	8 l/min	12.5 l/min
at 3 bar	13.8 l/min	21 l/min
at 5 bar	18.5 l/min	28 l/min

Only applies to officially listed products.
Tested at Sedal's lab with Sedal's standard faucet
*Peak or limited time condition.

STANDARD CARTRIDGES

EN-35 C/D

REF.08EN35L0003



DOWNLOAD
DATA SHEET

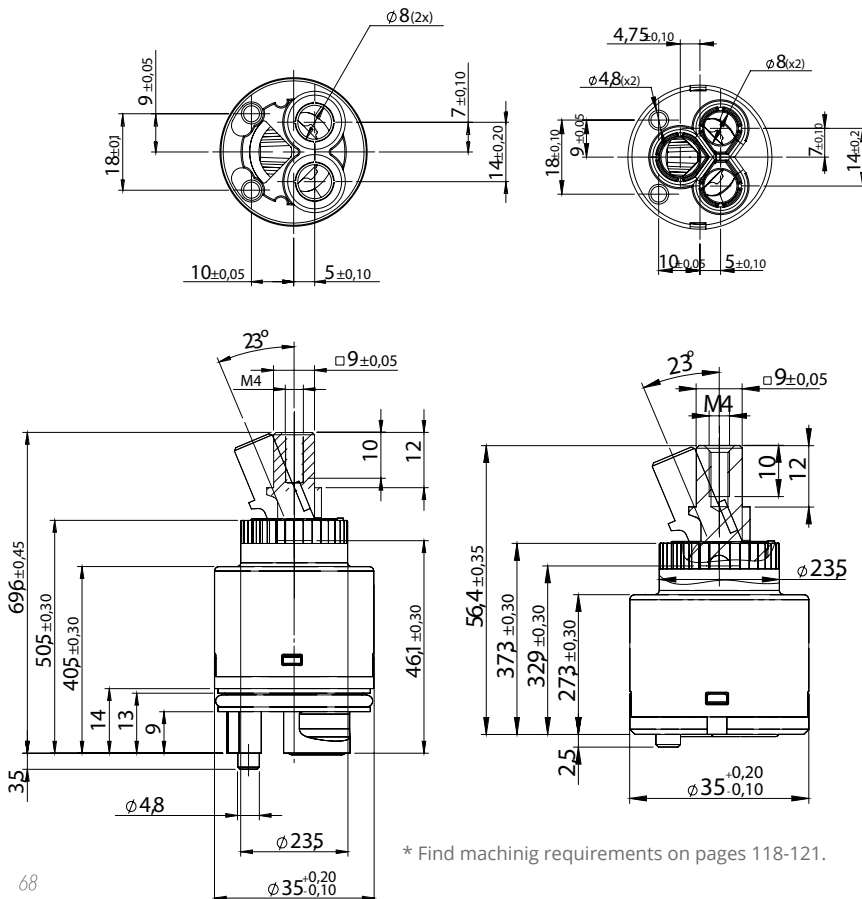
EN-35 S/D

REF. 08EN35S0003



DOWNLOAD
DATA SHEET

DIMENSIONS



* Find machining requirements on pages 118-121.

DESCRIPTION

35 mm cartridge.

ADVANTAGES

The classic standard cartridge of Sedal has shown its good performance through the years.

RECOMMENDED APPLICATIONS



CERTIFICATIONS



TECHNICAL SPECIFICATIONS

General	C/D	S/D
Nut torque pitch M1.5	10-12Nm	10-12Nm
Opening angle	23°	23°
Rotation angle	90°	90°
Working pressure (recommended)	1 - 5 bar	1 - 5 bar
Burst pressure	>50 bar	>50 bar
Life cycle - EN 817	70,000 cycles	70,000 cycles
ASME 112.18.1 M	500,000 cycles	500,000 cycles
GB18145	70,000 cycles	70,000 cycles
Sensitivity	>12 mm	>12 mm
Fidelity	<3°	<3°
Constant 63°C & 50°C (6 l/min - 3 l/min)	<2°C - <4.5°C	<2°C - <4.5°C
Max. hot water*	90 °C	90 °C

Operation Torque	C/D	S/D
Open-close	0.25-0.40 Nm	0.25-0.40 Nm
Turn left-right	0.15-0.40 Nm	0.15-0.40 Nm

Noise level	C/D	S/D
Noise level	24 ± 2 dB	26 ± 2 dB

Flow rate (free flow)	C/D	S/D
at 0.2 bar	6.1 l/min	5.8 l/min
at 1 bar	13.1 l/min	13.4 l/min
at 3 bar	22.3 l/min	23.1 l/min
at 5 bar	29 l/min	29.7 l/min

Only applies to officially listed products.
Tested at Sedal's lab with Sedal's standard faucet
*Peak or limited time condition.

EN-35 C/D

DUE

REF.08E35LAZ31



DOWNLOAD DATA SHEET

EN-35 S/D

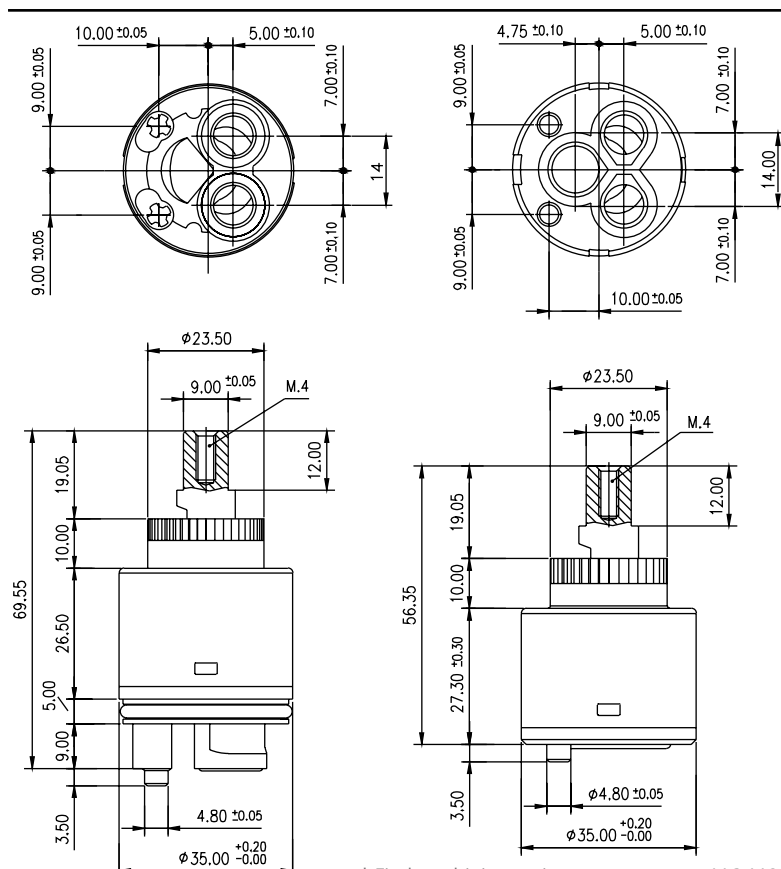
DUE

REF. 08E35FAZ31



DOWNLOAD DATA SHEET

DIMENSIONS



* Find machining requirements on pages 116-119.

DESCRIPTION

35 mm cartridge.

ADVANTAGES

The classic standard cartridge of Sedal has shown its good performance through the years. Due technology for water saving.

RECOMMENDED APPLICATIONS



CERTIFICATIONS



TECHNICAL SPECIFICATIONS

General	C/D	S/D
Nut torque pitch M1.5	10-12Nm	10-12Nm
Opening angle	25°	25°
Rotation angle	90°	90°
Working pressure (recommended)	1 - 5 bar	1 - 5 bar
Burst pressure	>25 bar	>25 bar
Life cycle - EN 817	70,000 cycles	70,000 cycles
ASME 112.18.1 M	500,000 cycles	500,000 cycles
GB18145	70,000 cycles	70,000 cycles
Sensitivity	10°-11°	10°-11°
Max. hot water*	90 °C	90 °C

Operation Torque	C/D	S/D
Open-close	0.25-0.40 Nm	0.25-0.40 Nm
Turn left-right	0.15-0.40 Nm	0.15-0.40 Nm

Noise level	C/D	S/D
Noise level	24 ± 2 dB	26 ± 2 dB

Flow rate (free flow)	C/D	S/D
at 0.2 bar	6.1 l/min	5.8 l/min
at 1 bar	13.1 l/min	13.4 l/min
at 3 bar	22.3 l/min	23.1 l/min
at 5 bar	29 l/min	29.7 l/min

Only applies to officially listed products.
Tested at Sedal's lab with Sedal's standard faucet
*Peak or limited time condition.

STANDARD CARTRIDGES

SN-35 C/D

REF.08SN35LG000



DOWNLOAD
DATA SHEET

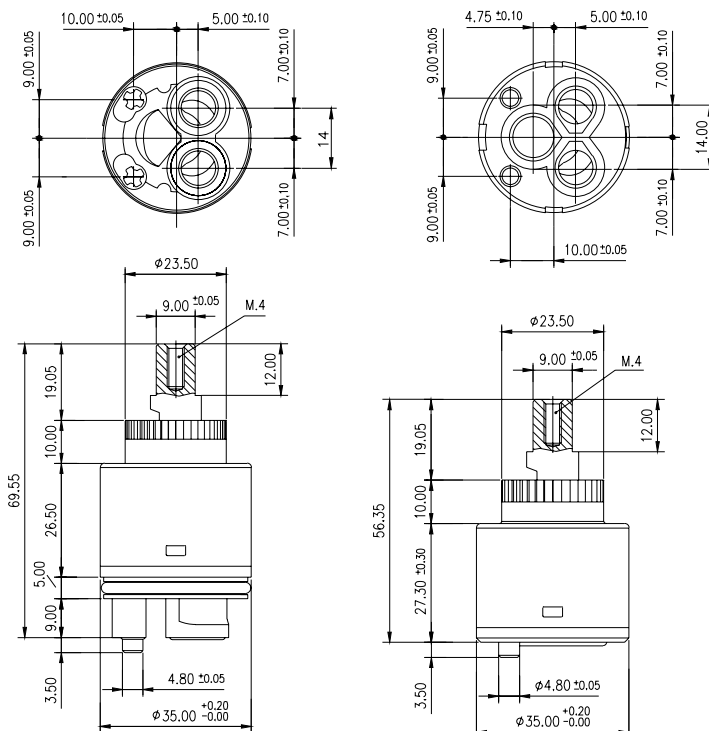
SN-35 S/D

REF.08SN35FG000



DOWNLOAD
DATA SHEET

DIMENSIONS



DESCRIPTION

35 mm cartridge.

ADVANTAGES

The classic standard cartridge with SN technology. Ceramics discs do not move in close position providing a unique smoothness of operation and higher durability (up to 20% longer life).

RECOMMENDED APPLICATIONS



CERTIFICATIONS



TECHNICAL SPECIFICATIONS

General	CD	S/D
Nut torque pitch M1.5	10-12Nm	10-12Nm
Opening angle	25°	25°
Rotation angle	90°	90°
Working pressure (recommended)	1 - 5 bar	1 - 5 bar
Burst pressure	55-60 bar	50-60 bar
Life cycle - EN 817	175,000 cycles	175,000 cycles
ASME 118.12.1 M	500,000 cycles	500,000 cycles
x2 GB18145	140,000 cycles	70,000 cycles
Sensitivity	11°-14° angle	13°-15° angle
Max. hot water	90 °C	90 °C

Operation Torque	C/D	S/D
Open-close	0.20-0.25 Nm	0.20-0.30 Nm

Flow rate (free flow)	C/D	S/D
at 0.5 bar	9.9 l/min	8.7 l/min
at 1 bar	13.5 l/min	12.2 l/min
at 3 bar	23.4 l/min	21 l/min
at 5 bar	30.1 l/min	26.9 l/min

* Find machining requirements on pages 118-121.

Only applies to officially listed products.
Tested at Sedal's lab with Sedal's standard faucet
*Peak or limited time condition.

TRN-35 C/D

REF.08RN35LVE00

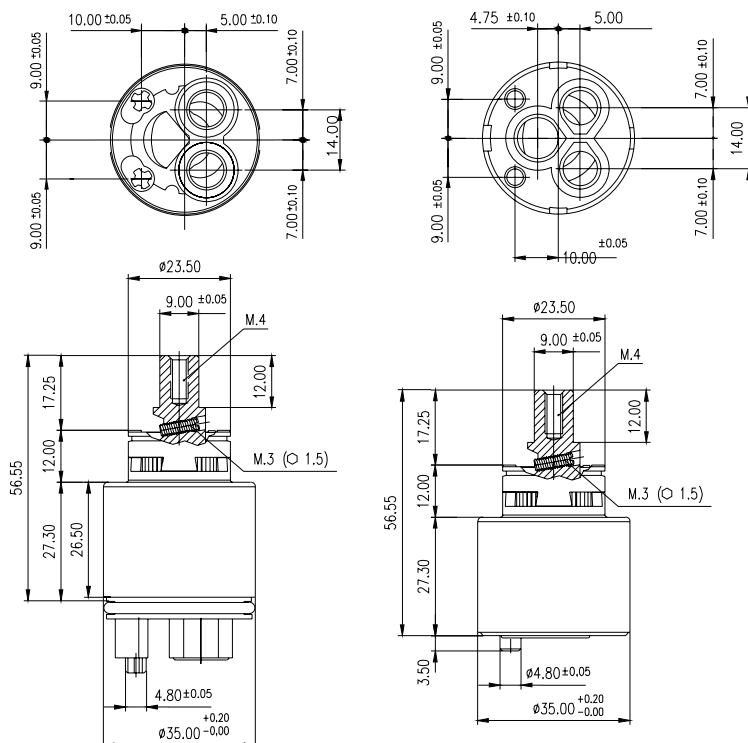


TRN-35 S/D

REF.08RN35FVE00



DIMENSIONS



* Find machining requirements on pages 116-119.

DESCRIPTION

35 mm cartridge.

ADVANTAGES

Sedal standard cartridge includes flow and temperature limiters to save water and energy, offering an environmental sustainability feature.

RECOMMENDED APPLICATIONS



CERTIFICATIONS



TECHNICAL SPECIFICATIONS

General	C/D	S/D
Nut torque pitch M1.5	10-12Nm	10-12Nm
Opening angle	25°	25°
Rotation angle	90°	90°
Working pressure (recommended)	1 - 5 bar	1 - 5 bar
Burst pressure	28-35 bar	28-35 bar
Life cycle - EN 817	70,000 cycles	70,000 cycles
ASME 112.18.1 M	500,000 cycles	500,000 cycles
Sensitivity	10°-11° angle	8.9°-9.2° angle
Max. hot water	90 °C	90 °C

Operation Torque	C/D	S/D
Open-close	0.22-0.25 Nm	0.21-0.25 Nm
Turn left-right	0.24-0.33 Nm	0.22-0.31 Nm

Flow rate (free flow)	C/D	S/D
at 0.5 bar	10.7 l/min	9.2 l/min
at 1 bar	14.9 l/min	12.9 l/min
at 3 bar	25.3 l/min	22.3 l/min
at 5 bar	33 l/min	28.7 l/min

Only applies to officially listed products.
Tested at Sedal's lab with Sedal's standard faucet
*Peak or limited time condition.

BASIC CARTRIDGES

DESCRIPTION

35mm basic cartridge with ACS certification and available with and without distributor. This Sedal valve is specially designed for washbasins, bath-showers and kitchen faucets.

ADVANTAGES

Entry-level product with Sedal high-reliability.

EN-35 C/D

BG BASIC

REF.08EN35L0011



DOWNLOAD DATA SHEET

EN-35 S/D

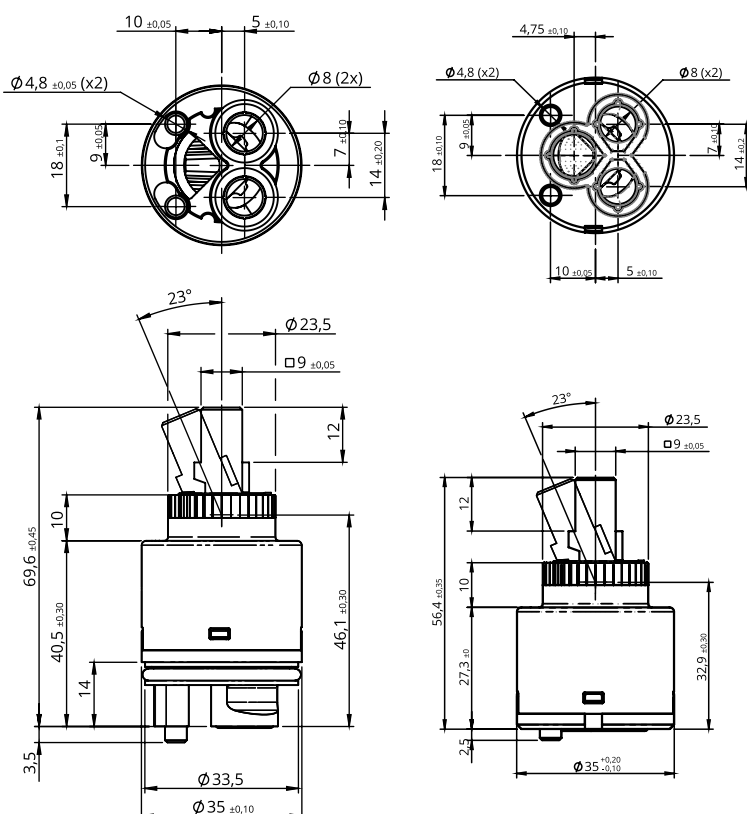
BG BASIC

REF. 08EN35S0011



DOWNLOAD DATA SHEET

DIMENSIONS



* Find machining requirements on pages 116-119.

RECOMMENDED APPLICATIONS



WASHBASINS

Specially designed for washbasins.



BATH-SHOWERS

Specially designed for bath showers.



KITCHENS

Suitable for use in kitchens.

CERTIFICATIONS



TECHNICAL SPECIFICATIONS

General	C/D	S/D
Nut torque pitch M1.5	10-12Nm	10-12Nm
Opening angle	23°	23°
Rotation angle	90°	90°
Working pressure (recommended)	1 - 5 bar	1 - 5 bar
Burst pressure	35 bar	35 bar
Life cycle - EN 817	70,000 cycles	70,000 cycles
ASME 118.12.1 M	500,000 cycles	500,000 cycles
GB18145	70,000 cycles	70,000 cycles
Sensitivity	12°-14° angle	12°-14° angle
Constant 63 °C & 50 °C (6 l/min - 3 l/min)	<1.2°C - <1.2°C	<1.1°C - <1.4°C
Max. hot water*	90 °C	90 °C

Operation Torque	C/D	S/D
Open-close	0.15-0.40 Nm	0.15-0.40 Nm
Turn left-right	0.15-0.40 Nm	0.15-0.40 Nm

Flow rate (free flow)	C/D	S/D
at 0.5 bar	9.3 l/min	8.8 l/min
at 1 bar	13.1 l/min	12.6 l/min
at 3 bar	22.3 l/min	22.1 l/min
at 5 bar	29 l/min	28 l/min

Only applies to officially listed products.
 Tested at Sedal's lab with Sedal's standard faucet
 *Peak or limited time condition.

SN-35

ECOFLOW

DESCRIPTION

Ecoflow cartridges have been designed for applications where a low flow is required to fulfill the latest standards and market trends. The low flow that a manufacturer would normally reach with the use of restrictors, can be reached by using the Ecoflow cartridge with an aereator, suppressing the negative effects of the current solutions. The Ecoflow 35 is specifically designed to deliver 7.8 liters @3 bar without using restrictors. It also includes a clutch for a perfect operational feel and a high maximum torque resistance to withstand harsh environments.

ADVANTAGES

- **SN TECHNOLOGY**
Ceramics discs do not move in close position providing a unique smoothness of operation and higher durability (up to 20% longer life)
- **IMPROVED FLOW-RATE VS HANDLE STROKE**
Existing solutions offer a very limited opening stroke to regulate the flow. With ECOFLOW, the entire stroke is available.

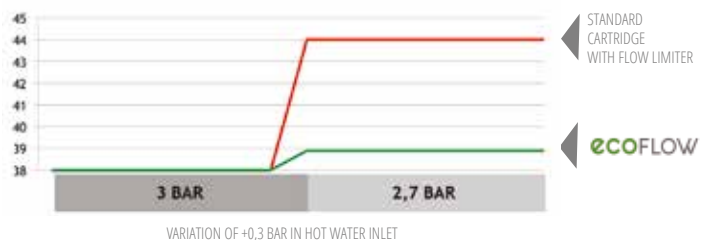


FEATURES

- **ECO**
Cartridges identified with an ECO icon offer at least one environmental sustainability feature.
- **SOFT**
Up to 40% softer lever operation than standard cartridges thanks to a clutched ceramic operation design.
- **REGULATIONS**
This cartridge is optimized according to WaterSense and Water Label requirements.
- **RESTRICTOR**
The cartridge includes itself a restrictor that reduces the flow rate to save water.



- **REDUCES TEMPERATURE FLUCTUATION**
When using a flow limiter in the spout combined with standard cartridges, the user can experience strong changes in water temperature. The new ECOFLOW Tech valves provide an excellent temperature stability in front of pressure variations in cold and hot water supply lines at low flow rates.



- **THE USAGE OF A RESTRICTOR IS OPTIONAL**
The flow rate reduction is carried out at the right place. With ECOFLOW the usage of a limiter or restrictor is optional.

SN-35 C/D

ECOFLOW

REF.08SN35L0008



DOWNLOAD DATA SHEET

SN-35 S/D

ECOFLOW

REF.08SN35S0009



DOWNLOAD DATA SHEET

RECOMMENDED APPLICATIONS



WASHBASINS

Specially designed for washbasins.



BATH-SHOWERS

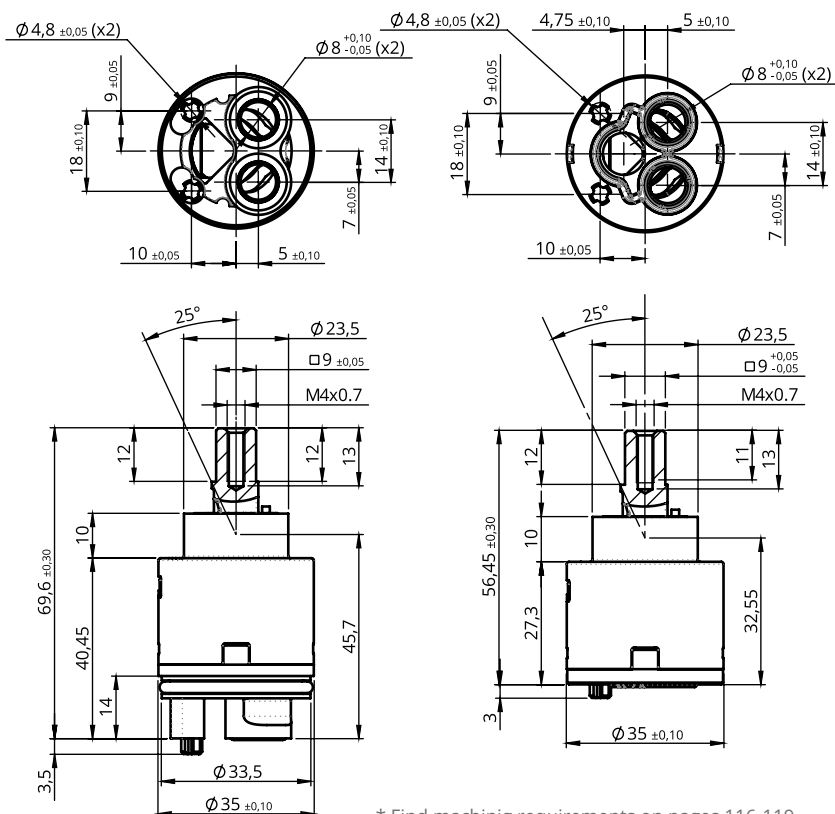
Specially designed for bath showers.



KITCHENS

Suitable for use in kitchens.

DIMENSIONS



* Find machining requirements on pages 116-119.

CERTIFICATIONS



* Optimised for WaterSense and WaterLabel

TECHNICAL SPECIFICATIONS

General	C/D	S/D
Nut torque pitch M1.5	7-8Nm	7-8Nm
Opening angle	25°	25°
Rotation angle	90°	90°
Working pressure (recommended)	1 - 5 bar	1 - 5 bar
Burst pressure	>50 bar	>50 bar
Life cycle - EN 817	70,000 cycles	70,000 cycles
ASME 112.18.1 M	500,000 cycles	500,000 cycles
Sensitivity	>10-12 mm	>10-12 mm
Fidelity	<3°	<3°
Constant 63 °C & 50 °C (6 l/min - 3 l/min)	<4°C - <6°C	<4°C - <6°C
Max. hot water*	90 °C	90 °C

Operation Torque	C/D	S/D
Open-close	0.20-0.35 Nm	0.20-0.35 Nm
Turn left-right	0.15-0.35 Nm	0.15-0.35 Nm

Flow rate (free flow)	C/D	S/D
at 0.2 bar	2.3 l/min	2.3 l/min
at 1 bar	5.3 l/min	5.3 l/min
at 3 bar	9 l/min	9 l/min
at 5 bar	11.5 l/min	11.5 l/min

Only applies to officially listed products.
Tested at Sedal's lab with Sedal's standard faucet
*Peak or limited time condition.

TERMACLICK

DESCRIPTION

Thanks to a mid-stroke click at the temperature comfort point, the new termaclick cartridge prevents waste of energy as the user enjoys a unique smoothness of operation. This valve, which includes cold start, is available in 35mm and mirrored for kitchen application.

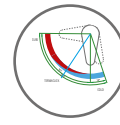
ADVANTAGES

- **ENERGY SAVING**
Termaclick cartridge helps saving energy thanks to:
 - Cold start opening, which flows cold water when the lever is centered.
 - Mid-way stroke that clicks at the theoretical point of 38°C water outlet, making the user aware of the saving point.
- **SAFETY CLICK AT COMFORT TEMPERATURE**
The user detects the click point and enjoys comfort temperature of water without risks at the safety temperature. This feature allows completely safe usage for children.
- **SEDALOX CERAMIC SET**
Termaclick incorporates SedalOX ceramics for a superior endurance.

FEATURES



SOFT
Up to 40% softer lever operation than standard cartridges thanks to a clutched ceramic operation design.



TERMACLICK
Mid-way click at comfort temperature and energy saving feature thanks to a cold opening. Left to hot.

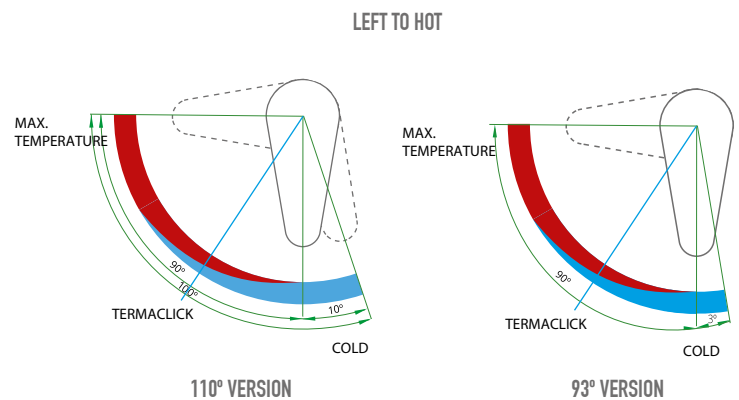


COLD
Energy saving feature thanks to the internal design of the cartridge, flowing cold water when the lever is centered.



ECO
Cartridges identified with an ECO icon offer at least one environmental sustainability feature.

- **DIFFERENT VERSIONS AVAILABLE**
Termaclick is a 35mm cartridge, comprising high and low base versions. The manufacturer can also choose the rotation angle (110° or 90°).



- **GLIDE FEEL TECHNOLOGY**
This technology ensures the user a unique smoothness of operation.

SN-35 C/D
TERMACLICK
REF.08SN35L2003



DOWNLOAD
DATA SHEET

SN-35 S/D
TERMACLICK
REF.08SN35S2003



DOWNLOAD
DATA SHEET

OTHER VERSIONS

Rotation angle at 93°

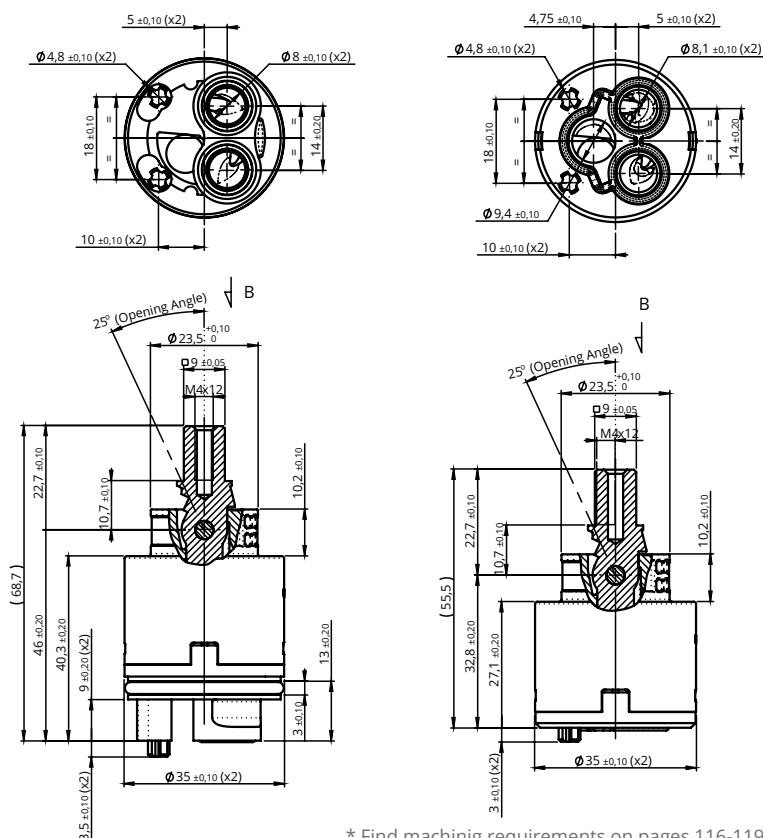
C/D

REF.08SN35L2005

S/D

REF.08SN35S2005

DIMENSIONS



* Find machining requirements on pages 116-119.

RECOMMENDED APPLICATIONS



WASHBASINS
Specially designed for washbasins.

CERTIFICATIONS



TECHNICAL SPECIFICATIONS

General	C/D	S/D
Nut torque pitch M1.5	10-12Nm	10-12Nm
Opening angle	25°	25°
Rotation angle	100°/ 93°	100°/ 93°
Working pressure (recommended)	1 - 5 bar	1 - 5 bar
Burst pressure	>35 bar	>35 bar
Life cycle - x2 EN 817	140,000 cycles	140,000 cycles
x2 GB18154	140,000 cycles	140,000 cycles
Sensitivity (r=45mm)	>10 mm	>10 mm
Fidelity	<5°C	<5°C
Max. hot water*	90 °C	90 °C

Operation Torque	C/D	S/D
Open-close	0.15-0.35 Nm	0.15-0.35 Nm
Turn left-right	0.15-0.35 Nm	0.15-0.35 Nm

Flow rate (free flow)	C/D	S/D
at 0.2 bar	6.4 l/min	5.6 l/min
at 1 bar	13.3 l/min	12.2 l/min
at 3 bar	24.9 l/min	21.4 l/min
at 5 bar	32.3 l/min	27.8 l/min

Only applies to officially listed products.
Tested at Sedal's lab with Sedal's standard faucet
*Peak or limited time condition.

TERMACLICK MIRROR

DESCRIPTION

Thanks to a mid-stroke click at the temperature comfort point, the new termaclick cartridge prevents waste of energy as the user enjoys a unique smoothness of operation. This valve, which includes cold start, is available in 35mm and mirrored for kitchen application.

ADVANTAGES

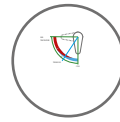
● *ADDITIONAL FEATURES*

SN-35 Termaclick mirror has the same advantages than Termaclick, but with mirror base as an additional feature.

FEATURES



SOFT
Up to 40% softer lever operation than standard cartridges thanks to a clutched ceramic operation design.



TERMACLICK MIRROR
Mid-way click at comfort temperature and energy saving feature thanks to a cold opening. Right to hot.



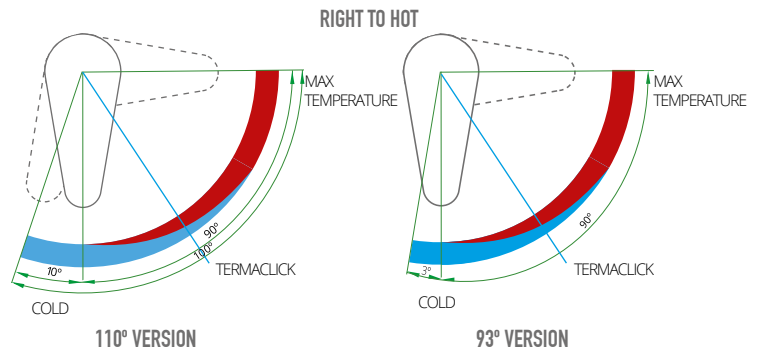
COLD
Energy saving feature thanks to the internal design of the cartridge, flowing cold water when the lever is centered.



ECO
Cartridges identified with an ECO icon offer at least one environmental sustainability feature.

● *SPECIALLY DESIGNED FOR KITCHEN APPLICATIONS*

Mirror version has been specifically designed for kitchen applications, avoiding the inconvenience of the handle touching the wall.



SN-35 C/D

TERMACLICK
MIRROR

REF. 08SN35L2004



DOWNLOAD
DATA SHEET

SN-35 S/D

TERMACLICK
MIRROR

REF. 08SN35S2004



DOWNLOAD
DATA SHEET

OTHER VERSIONS

Rotation angle at 93°

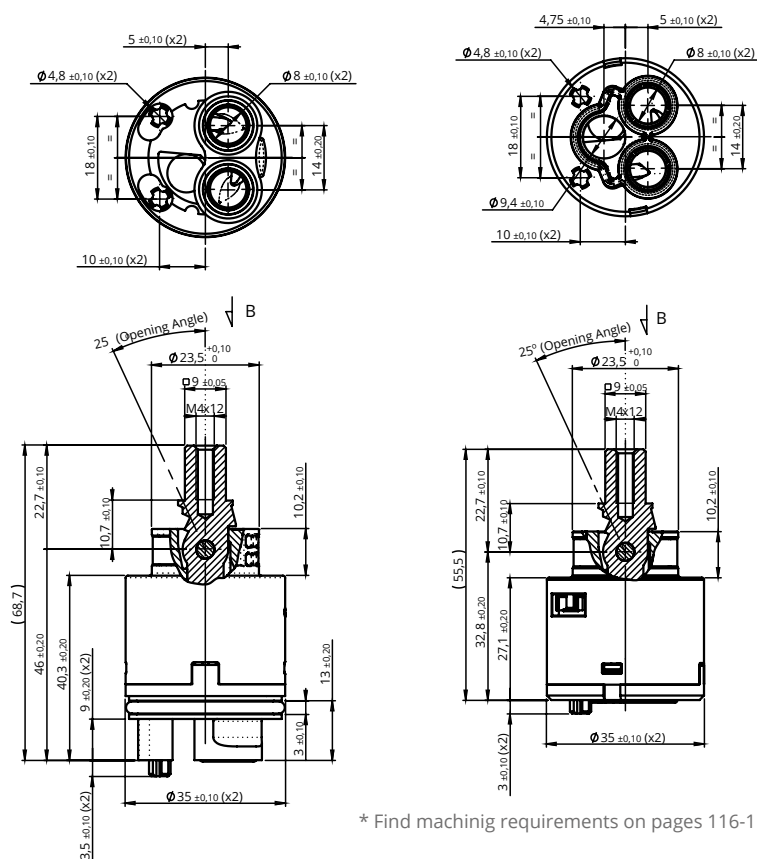
C/D

REF.08SN35L2006

S/D

REF.08SN35S2006

DIMENSIONS



* Find machining requirements on pages 116-119.

RECOMMENDED APPLICATIONS



KITCHENS
Specially designed for
washbasins.

CERTIFICATIONS



TECHNICAL SPECIFICATIONS

General	C/D	S/D
Nut torque pitch M1.5	10-12Nm	10-12Nm
Opening angle	25°	25°
Rotation angle	100°/ 93°	100°/ 93°
Working pressure (recommended)	1 - 5 bar	1 - 5 bar
Burst pressure	>35 bar	>35 bar
Life cycle - x2 EN 817	140,000 cycles	140,000 cycles
x2 GB18154	140,000 cycles	140,000 cycles
Sensitivity (r=45mm)	>10 mm	>10 mm
Fidelity	<5°C	<5°C
Max. hot water*	90 °C	90 °C

Operation Torque	C/D	S/D
Open-close	0.15-0.35 Nm	0.15-0.35 Nm
Turn left-right	0.15-0.35 Nm	0.15-0.35 Nm

Flow rate (free flow)	C/D	S/D
at 0.2 bar	6.4 l/min	5.6 l/min
at 1 bar	13.3 l/min	12.2 l/min
at 3 bar	24.9 l/min	21.4 l/min
at 5 bar	32.3 l/min	27.8 l/min

Only applies to officially listed products.
Tested at Sedal's lab with Sedal's standard faucet
*Peak or limited time condition.

DRY FAUCET BISO CARTRIDGES

DESCRIPTION

Dry faucet range is an optimal solution for lead-free policy products, as there is no contact between the water and the metal of the body. It helps to save costs because faucets bodies and spouts can be manufactured with different materials while allowing brass weight reduction in the faucet body.

FEATURES



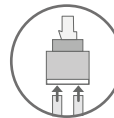
SOFT

Up to 40% softer lever operation than standard cartridges thanks to a clutched ceramic operation design.



DRY FAUCET

Thanks to its design, the water is never in contact with the metal of the body faucet.



DIRECT PLUG IN

Water inlet hoses are plugged directly into the cartridges.



LEAD FREE

Suitable for low-lead applications.

ADVANTAGES

● LIGHTER BODY

BISO cartridge allows lighter body design and easier casting.

● LEAD-FREE

Optimal solution for lead-free policy products, because there is no contact between water and metal.

SPOUT CORE LINKING
THE CARTRIDGE OUTLET
AND AIREATOR PLUGGED
DIRECTLY INTO THE HOSE



WATER INLET HOSES
PLUGGED DIRECTLY
INTO THE CARTRIDGE

● DIFFERENT OPTIONS AVAILABLE

Different configurations as it is part of Endura family, such as STD, Cold or Ecoflow options.

SN-35

BISO 2

REF.08SN35B0008



DOWNLOAD DATA SHEET

SN-35

BISO 3

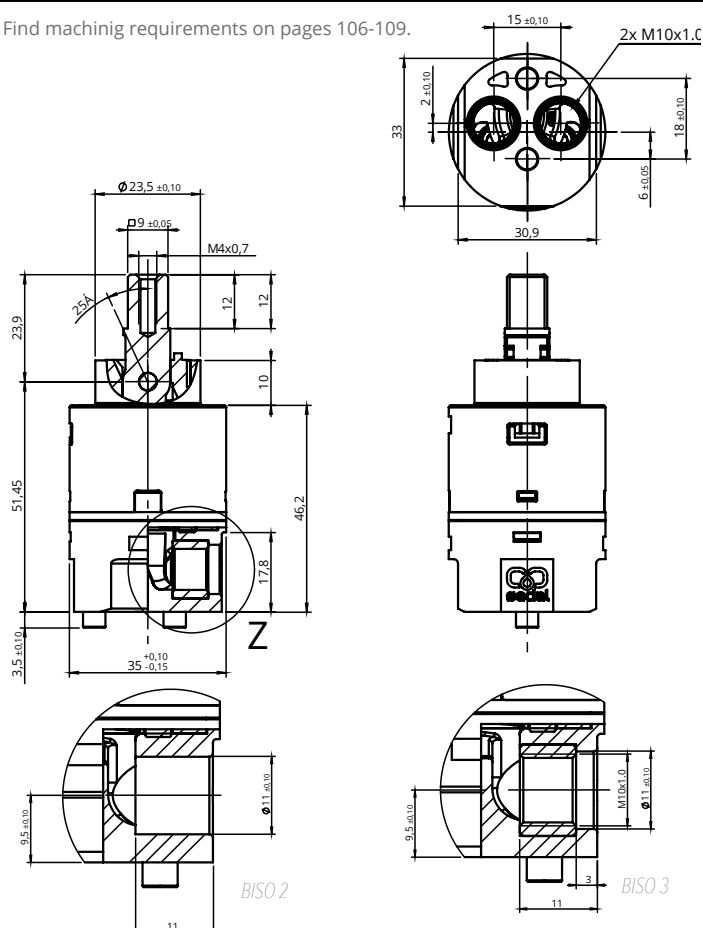
REF.08SN35B0007



DOWNLOAD DATA SHEET

DIMENSIONS

* Find machining requirements on pages 106-109.



RECOMMENDED APPLICATIONS



WASHBASINS

Specially designed for washbasins.

CERTIFICATIONS



TECHNICAL SPECIFICATIONS

General	BISO 2	BISO 3
Nut torque pitch M1.5	10-12Nm	10-12Nm
Opening angle	25°	25°
Rotation angle	90°	90°
Working pressure (recommended)	1 - 5 bar	1 - 5 bar
Burst pressure	>50 bar	>50 bar
Life cycle - EN 817 NF U3	175,000 cycles	175,000 cycles
x2 ASME	1,000,000 cycles	1,000,000 cycles
x2 GB18145	140,000 cycles	140,000 cycles
Sensitivity (r)	>10 mm	>12 mm
Constant 63 °C & 50 °C (6 l/min - 3 l/min)	<4°C - <6°C	<4 C - <6°C
Max. hot water*	90 °C	90 °C

Operation Torque	BISO 2	BISO 3
Open-close	0.20-0.40 Nm	0.20-0.40 Nm
Turn left-right	0.20-0.40 Nm	0.20-0.40 Nm

Flow rate (free flow)	BISO 2	BISO 3
at 0.2 bar	5.3 l/min	5.3 l/min
at 1 bar	12 l/min	12 l/min
at 3 bar	20.8 l/min	20.8 l/min
at 5 bar	26.5 l/min	26.5 l/min

Only applies to officially listed products.
Tested at Sedal's lab with Sedal's standard faucet
*Peak or limited time condition.

DRY FAUCET SISO CARTRIDGES

DESCRIPTION

Dry faucet range is an optimal solution for lead-free policy products, as there is no contact between the water and the metal of the body. It helps to save costs because faucets bodies and spouts can be manufactured with different materials while allowing brass weight reduction in the faucet body.

FEATURES



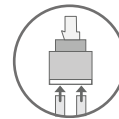
SOFT

Up to 40% softer lever operation than standard cartridges thanks to a clutched ceramic operation design.



DRY FAUCET

Thanks to its design, the water is never in contact with the metal of the body faucet.



DIRECT PLUG IN

Water inlet hoses are plugged directly into the cartridges.



LEAD FREE

Suitable for low-lead applications.

ADVANTAGES

- **LIGHTER BODY**
SISO cartridge allows lighter body design and easier casting.
- **LEAD-FREE POLICY**
Optimal solution for lead-free policy products, because there is no contact between water and metal.



- **DIFFERENT OPTIONS AVAILABLE**
Different configurations as it is part of Endura family, such as Standard, Cold or Ecoflow options.

SN-35 SISO 2

REF.08SN35A0008



DOWNLOAD
DATA SHEET

SN-35 SISO 3

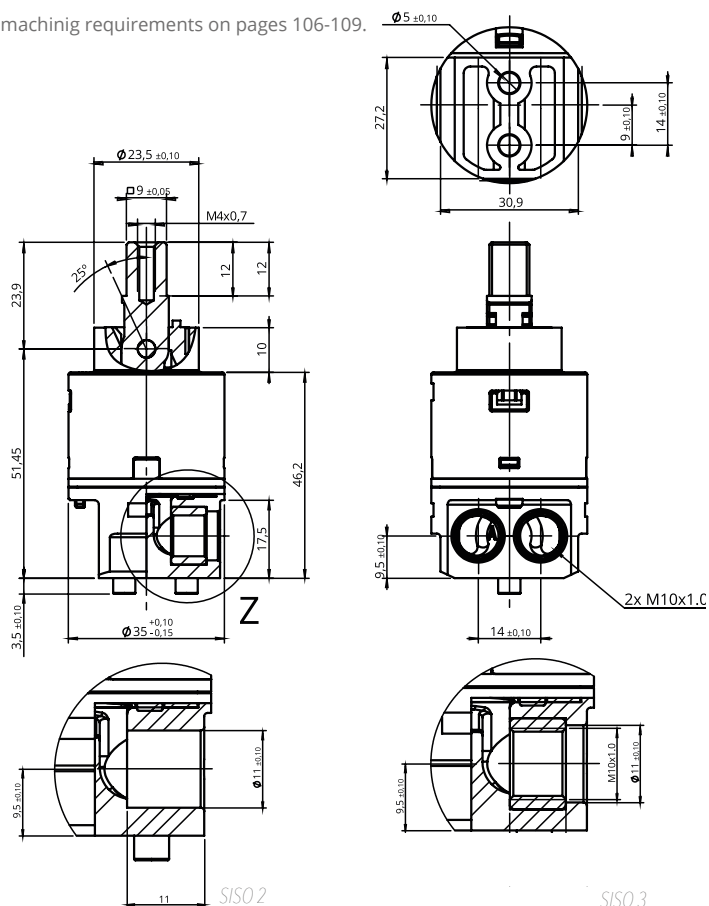
REF.08SN35A0007



DOWNLOAD
DATA SHEET

DIMENSIONS

* Find machining requirements on pages 106-109.



RECOMMENDED APPLICATIONS



KITCHENS
Specially designed for washbasins.

CERTIFICATIONS



TECHNICAL SPECIFICATIONS

General	SISO 2	SISO 3
Nut torque pitch M1.5	10-12Nm	10-12Nm
Opening angle	25°	25°
Rotation angle	90°	90°
Working pressure (recommended)	1 - 5 bar	1 - 5 bar
Burst pressure	>50 bar	>50 bar
Life cycle - EN 817 NF U3	175,000 cycles	175,000 cycles
x2 ASME	1,000,000 cycles	1,000,000 cycles
x2 GB18145	140,000 cycles	140,000 cycles
Sensitivity (r)	>10 mm	>12 mm
Constant 63 °C & 50 °C (6 l/min - 3 l/min)	<4°C - <6°C	<4 C - <6°C
Max. hot water*	90 °C	90 °C

Operation Torque	SISO 2	SISO 3
Open-close	0.20-0.40 Nm	0.20-0.40 Nm
Turn left-right	0.20-0.40 Nm	0.20-0.40 Nm

Flow rate (free flow)	SISO 2	SISO 3
at 0.2 bar	5.3 l/min	5.3 l/min
at 1 bar	12 l/min	12 l/min
at 3 bar	20.8 l/min	20.8 l/min
at 5 bar	26.5 l/min	26.5 l/min

Only applies to officially listed products.
Tested at Sedal's lab with Sedal's standard faucet
*Peak or limited time condition.

REVOLVING

GI-35

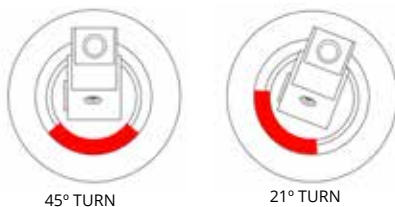
DESCRIPTION

Revolving cartridges include a turning lever in order to mix water and provide better control of the flow rate.

ADVANTAGES

- **180° ROTATION ANGLE**
35mm revolving cartridge has a rotation angle of 180° from cold to hot.
- **EASY REVOLVING MOVEMENT**
Smooth revolving movement for a comfort operation to the user.
- **TR TECHNOLOGY**
The TR technology allows energy saving thanks to temperature limiters. It also enables an anti-scalding safety feature. This function allows limiting maximum temperature in 7 selectable stops.

TEMPERATURE LIMITER FUNCTION



position	15° l/min	65° l/min	°C 3bar
1	16	4	26°
2	12,5	7,5	35°
3	9	11	43°
4	5	15	50°
5	2	18	56°
6	1	19	61°
7	0	20	65°

FEATURES



ECO
Cartridges identified with an ECO icon offer at least one environmental sustainability feature.



TEMPERATURE LIMITER
Limit maximum temperature in 7 selectable stops for energy saving and to avoid scalding.



REVOLVING
This cartridge has a turning lever from 0° to 180°.



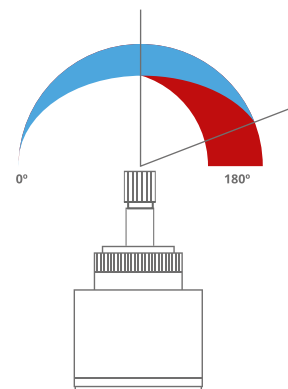
COLD
Energy saving feature thanks to the internal design of the cartridge, flowing cold water when the lever is centered.



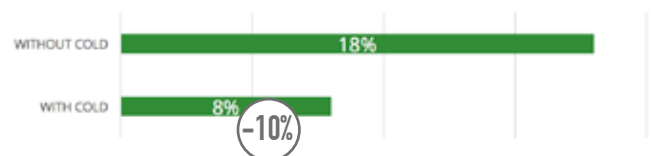
METALLIC LEVER
This revolving cartridge has metallic lever

● COLD TECHNOLOGY

The cartridge starts in cold position by default, saving energy consumption related to plumbing products in the household.



HOUSEHOLD ENERGY CONSUMPTION RELATED TO CARTRIDGES IN %



GI-35 C/D

TR

REF.08GI35LBE64



DOWNLOAD
DATA SHEET

GI-35 S/D

TR

REF. 08GI35FBE64



DOWNLOAD
DATA SHEET

RECOMMENDED APPLICATIONS

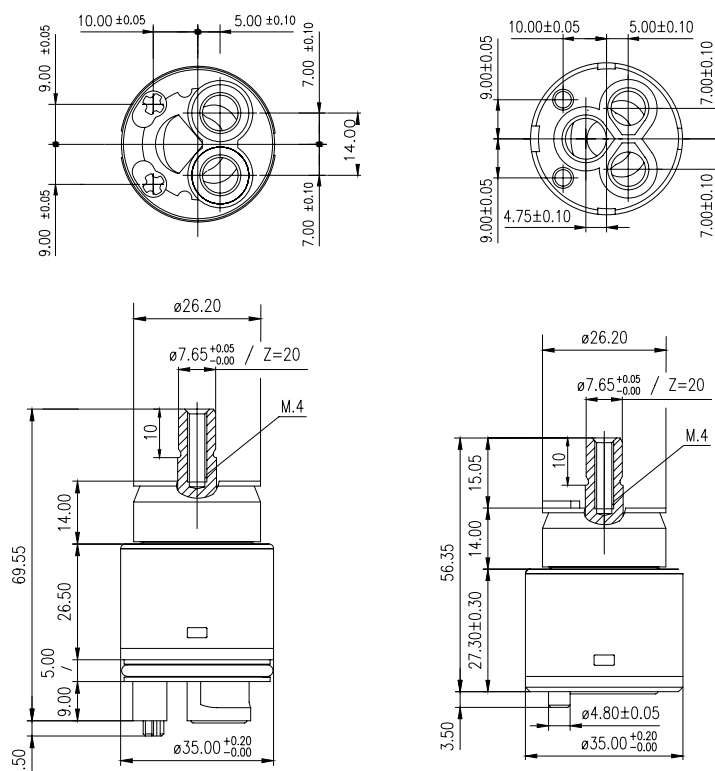


DECORATIVE WASHBASINS
Specially designed for decorative faucets.

CERTIFICATIONS



DIMENSIONS



TECHNICAL SPECIFICATIONS

General	C/D	S/D
Nut torque pitch M1.5	10-12Nm	10-12Nm
Rotation angle	180°	180°
Working pressure (recommended)	1 - 5 bar	1 - 5 bar
Burst pressure	40-45 bar	40-45 bar
Life cycle - EN 200	200,000 cycles	200,000 cycles
ASME 118.12.1 M	500,000 cycles	500,000 cycles
Max. hot water*	90 °C	90 °C

Operation Torque	C/D	S/D
Turn left-right	0.22-0.24 Nm	0.22-0.24 Nm

Flow rate (free flow)	C/D	S/D
at 0.5 bar	9.9 l/min	8.6 l/min
at 1 bar	13.7 l/min	11.9 l/min
at 3 bar	23.1 l/min	20.1 l/min
at 5 bar	29.5 l/min	25.8 l/min

* Find machining requirements on pages 116-119.

Only applies to officially listed products.
Tested at Sedal's lab with Sedal's standard faucet
*Peak or limited time condition.

REVOLVING

GI-35

GI-35 C/D

L9

REF.08GI35LBE09



DOWNLOAD
DATA SHEET

GI-35 S/D

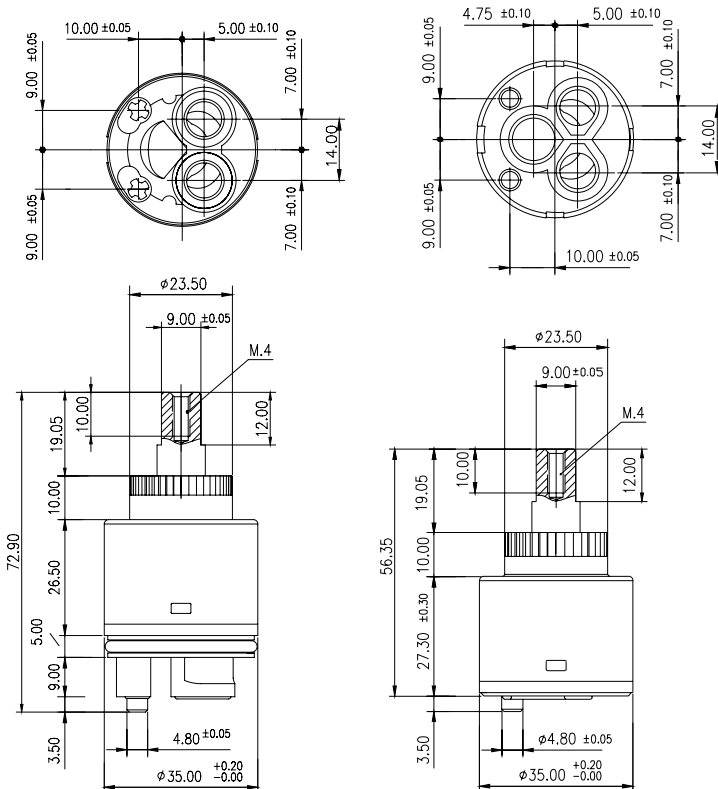
L9

REF.08GI35FBE09



DOWNLOAD
DATA SHEET

DIMENSIONS



* Find machining requirements on pages 118-121.

DESCRIPTION

35 mm revolving cartridges with a turning lever in order to mix water and provide better control of the flow rate.

ADVANTAGES

BRASS OR PLASTIC SHAFT

Cartridge available with plastic or metal shaft, depending on the application.

RECOMMENDED APPLICATIONS



DECORATIVE WASHBASINS
Specially designed for decorative faucets.

CERTIFICATIONS



TECHNICAL SPECIFICATIONS

General	C/D	S/D
Nut torque pitch M1.5	10-12Nm	10-12Nm
Rotation angle	180°	180°
Working pressure (recommended)	1 - 5 bar	1 - 5 bar
Burst pressure	45-50 bar	45-50 bar
Life cycle - EN 200	200,000 cycles	200,000 cycles
ASME 112.18.1 M	500,000 cycles	500,000 cycles
Max. hot water*	90 °C	90 °C

Operation Torque	C/D	S/D
Turn left-right	0.22-0.24 Nm	0.25-0.55 Nm

Flow rate (free flow)	C/D	S/D
at 0.5 bar	9.9 l/min	8.6 l/min
at 1 bar	13.7 l/min	11.9 l/min
at 3 bar	23.1 l/min	20.1 l/min
at 5 bar	29.5 l/min	25.8 l/min

Only applies to officially listed products.
Tested at Sedal's lab with Sedal's standard faucet
*Peak or limited time condition.

GI-35 S/D

Z20

REF.08GI35LBE01



DOWNLOAD
DATA SHEET

GI-35 S/D

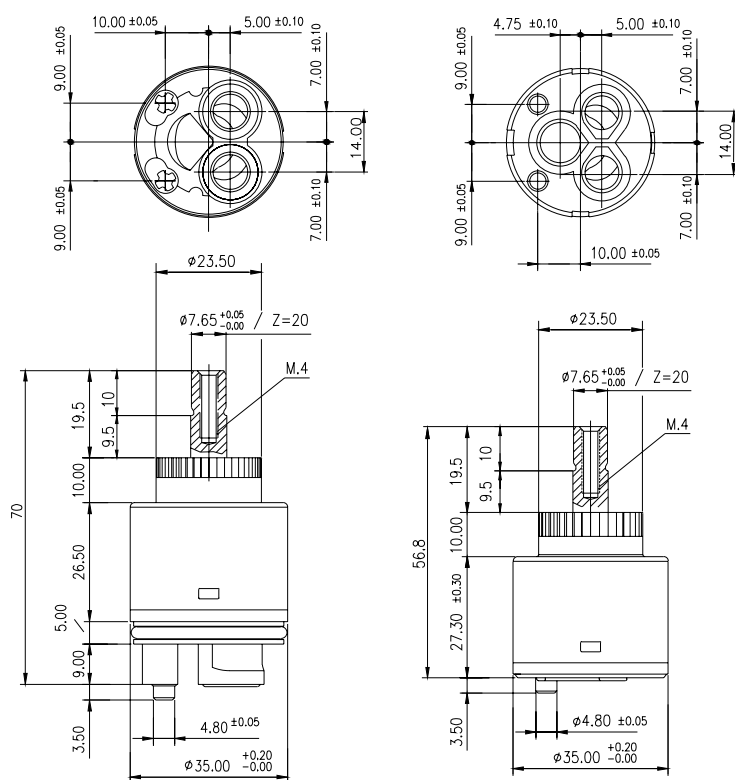
Z20

REF.08GI35FBE01



DOWNLOAD
DATA SHEET

DIMENSIONS



* Find machining requirements on pages 116-119.

DESCRIPTION

35 mm revolving cartridges with a turning lever in order to mix water and provide better control of the flow rate.

ADVANTAGES

BRASS OR PLASTIC SHAFT

Cartridge available with plastic or metal shaft, depending on the application.

RECOMMENDED APPLICATIONS



DECORATIVE WASHBASINS
Specially designed for decorative faucets.

CERTIFICATIONS



TECHNICAL SPECIFICATIONS

General	C/D	S/D
Nut torque pitch M1.5	10-12Nm	10-12Nm
Rotation angle	180°	180°
Working pressure (recommended)	1 - 5 bar	1 - 5 bar
Burst pressure	45-50 bar	45-50 bar
Life cycle - EN 200	200,000 cycles	200,000 cycles
ASME 112.18.1 M	500,000 cycles	500,000 cycles
Max. hot water*	90 °C	90 °C

Operation Torque	C/D	S/D
Turn left-right	0.22-0.24 Nm	0.25-0.55 Nm

Flow rate (free flow)	C/D	S/D
at 0.5 bar	9.9 l/min	8.6 l/min
at 1 bar	13.7 l/min	11.9 l/min
at 3 bar	23.1 l/min	20.1 l/min
at 5 bar	29.5 l/min	25.8 l/min

Only applies to officially listed products.
Tested at Sedal's lab with Sedal's standard faucet
*Peak or limited time condition.

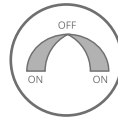
DIVERTER

GD-35

DESCRIPTION

The GD35 diverter from Sedal is a high end 35mm valve that provides smooth operation along with a defined feeling of safety and precision thanks to the metallic lever and a high precision ceramic set. The operation torque has been improved while keeping a small footprint. Works perfectly paired with our TM001 Thermostatic cartridge for showers.

FEATURES



ON-OFF

Diverter with on-off function in default position with flow control.



CLICK

GD-35 includes a click in the middle to notice the change of outlet.



ECO

Cartridges identified with an ECO icon offer at least one environmental sustainability feature.



METALLIC LEVER

This diverter cartridge has metallic lever.



2 OUTLETS

Diverter cartridge with two outlets.



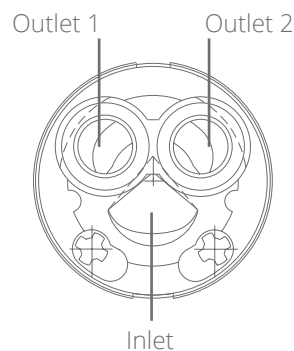
ROTATION ANGLE

Diverter cartridge with 180° rotation angle.

ADVANTAGES

- SURPASSES CONVENTIONAL DURABILITY STANDARDS**
 Extended life time thanks to a high grade ceramic set made in our Technical Ceramics facilities. The metal lever improves the user perception of quality and precision in a small cartridge.
- ROBUST DESIGN**
 GD-35 has a robust design, withstanding higher levels of burst pressure.
- HIGHER FLOW RATE**
 The GD35 has a high flow rate @3 bar, allowing to build body showers with 2 outlets providing a positive user experience while assuring an ecologic water consumption.

- DIVERTER FUNCTIONALITY**
 This cartridge fits specially good in bath showers because allows to have two different outlets while keeping slim designs. Mixed water enters inlet 3 and exits either outlet 1 or 2.



GD-35 C/D

REF.08GD35LBE00



DOWNLOAD
DATA SHEET

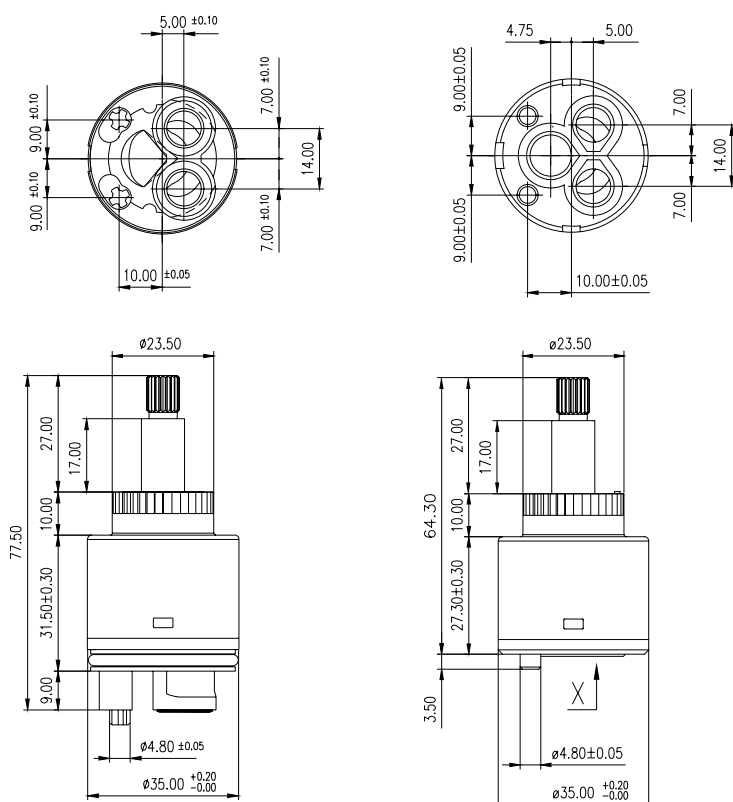
GD-35 S/D

REF.08GD35FBE00



DOWNLOAD
DATA SHEET

DIMENSIONS



* Find machining requirements on pages 116-119.

RECOMMENDED APPLICATIONS



SHOWERS DIVERTERS
Specially designed for showers with diverters.

CERTIFICATIONS



TECHNICAL SPECIFICATIONS

General	C/D	S/D
Nut torque pitch M1.5	7-8Nm	7-8Nm
Rotation angle	180°	180°
Working pressure (recommended)	1 - 5 bar	1 - 5 bar
Burst pressure	25-30 bar	25-30 bar
Life cycle - EN 200	200,000 cycles	200,000 cycles
ASME 112.18.1 M	500,000 cycles	500,000 cycles
Max. hot water*	90 °C	90 °C

Operation Torque	C/D	S/D
Turn left-right	0.50-0.40 Nm	0.50-0.40 Nm

Flow rate (free flow)	C/D	S/D
at 0.5 bar	3.9 l/min	3.9 l/min
at 1 bar	5.6 l/min	5.6 l/min
at 3 bar	9.6 l/min	9.6 l/min
at 5 bar	12.4 l/min	12.4 l/min

Only applies to officially listed products.
Tested at Sedal's lab with Sedal's standard faucet
*Peak or limited time condition.

DIVERTER

GD-35 4

DESCRIPTION

The GD35 S/D 4 diverter from Sedal is a high end 35mm valvewith four outlets that provides smooth operation along with a defined feeling of safety and precision thanks to the metallic lever and a high precision ceramic set. The operation torque has been improved while keeping a small footprint. Works perfectly paired with our TM001 Thermostatic cartridge for showers.

FEATURES



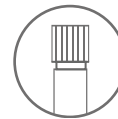
ECO
Cartridges identified with an ECO icon offer at least one environmental sustainability feature.



CLICK
GD-35 includes a click in the middle to notice the change of outlet.



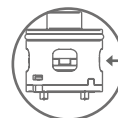
OUTLETS
Diverter cartridge with two outlets.



METALLIC LEVER
This diverter cartridge has metallic lever.



ROTATION ANGLE
Diverter cartridge with 360° rotation angle.

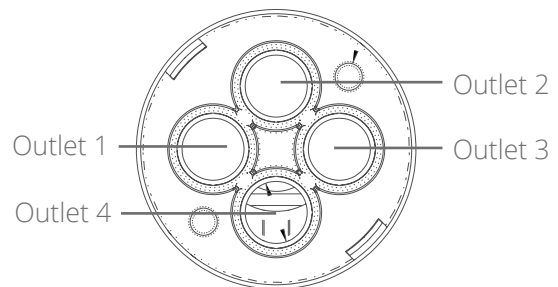


SIDE INLET
The inlet of the diverter is located on the sides.

ADVANTAGES

- SURPASSES CONVENTIONAL DURABILITY STANDARDS**
Extended life time thanks to a high grade ceramic set made in our Technical Ceramics facilities. The metal lever improves the user perception of quality and precision in a small cartridge.
- ROBUST DESIGN**
GD-35 has a robust design, withstanding higher levels of burst pressure.
- HIGHER FLOW RATE**
The GD35 has a high flow rate @3 bar, allowing to build body showers with 2 outlets providing a positive user experience while assuring an ecologic water consumption.
- 3 DIFFERENT SHAFTS LENGHT AVAILABLE**
The GD35 is available with three different shaft lengths to fullfill any manufacturer requirements.

- DIVERTER FUNCTIONALITY**
This cartridge fits specially good in bath showers because allows to have four different outlets. Mixed water enters inlet on the side and exits either outlet 1, 2, 3 or 4.



Total Height (mm)
52.2 mm
64.8 mm
80.5 mm

GD-35 S/D 4

REF. 08GD35S0001



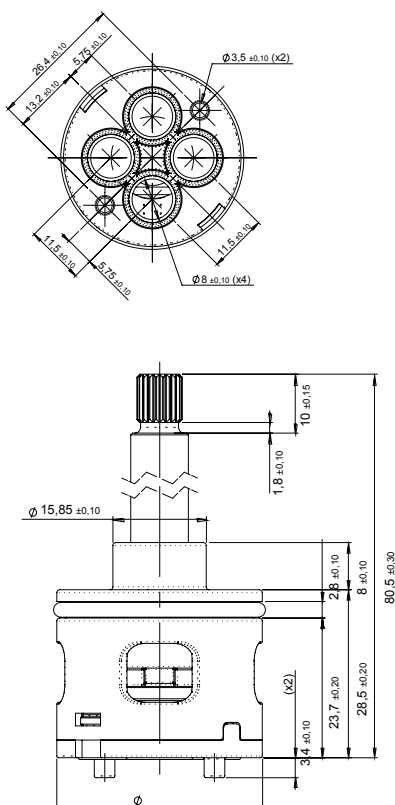
DOWNLOAD
DATA SHEET

RECOMMENDED APPLICATIONS



SHOWERS DIVERTERS
Specially designed for
showers with diverters.

DIMENSIONS



* Find machining requirements on pages 116-119.

TECHNICAL SPECIFICATIONS

General	S/D
Nut torque pitch M1.5	10-12 Nm
Rotation angle	360°
Working pressure (recommended)	1 - 5 bar
Burst pressure	>35 bar
Life cycle - EN 817 NF077	30,000 cycles 30,000 cycles
Max. hot water*	90 °C

Operation Torque	S/D
Turn left-right	0.15-0.40 Nm
OUTLET SELECTOR (Torque increment)	0.10-0.20 Nm

Flow rate (free flow)	S/D
at 0.5 bar	10.2 l/min
at 1 bar	15.5 l/min
at 3 bar	26.5 l/min
at 5 bar	34 l/min

Only applies to officially listed products.
Tested at Sedal's lab with Sedal's standard faucet
*Peak or limited time condition.

JOYSTICK

JY-35

DESCRIPTION

Joystick cartridges have a similar functionality as standard cartridges, although the special design of their levers allows smooth 360° movements.

Very popular in some countries, Joystick cartridges provide a natural movement especially with vertical levers.

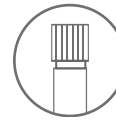
The JY35 from Sedal is a very robust Joystick cartridge specially developed for faucets or cascade tap designs.

FEATURES



JOYSTICK

Joystick cartridge with smooth 360° movement.



METALLIC LEVER

This joystick cartridge has metallic lever

ADVANTAGES

- *SMOOTH FEELING*

35mm joystick has a very smooth operational feeling that gives comfort to the user.

- *NEW CERAMICS DISC GEOMETRY*

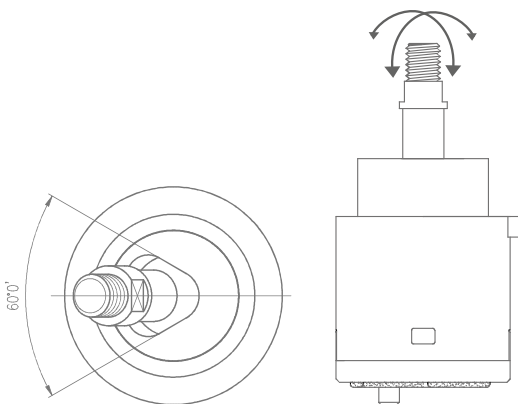
JY-35 has a new ceramics disc geometry that allows its smooth 360° movement.

- *ROBUST DESIGN*

35mm joystick has a robust design, withstanding higher levels of burst pressure.

- *HIGHER FLOW RATE*

JY-35 has higher flow rates than previous versions.



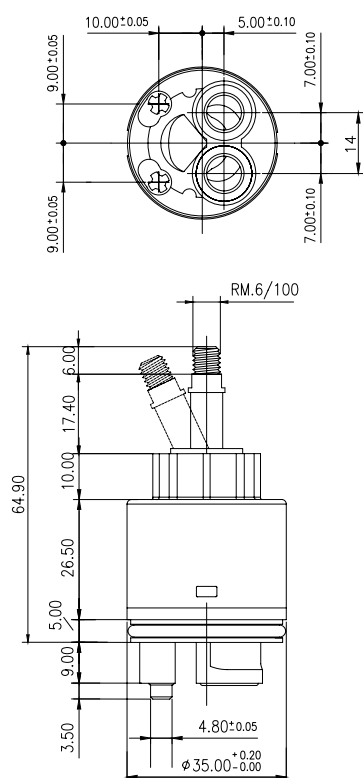
JY-35 C/D

REF. 08JY35L001



DOWNLOAD
DATA SHEET

DIMENSIONS



* Find machining requirements on pages 116-119.

RECOMMENDED APPLICATIONS



WASHBASINS

Specially designed for washbasins.

CERTIFICATIONS



TECHNICAL SPECIFICATIONS

General	S/D
Nut torque pitch M1.5	10-12 Nm
Opening angle	25°C
Rotation angle	90°
Working pressure (recommended)	1 - 5 bar
Burst pressure	30-35 bar
Life cycle - EN 817	70,000 cycles
Max. hot water*	90 °C

Operation Torque	S/D
Turn left-right	0.25-0.33 Nm

Flow rate (free flow)	S/D
at 0.5 bar	10.4 l/min
at 1 bar	14.3 l/min
at 3 bar	24.6 l/min
at 5 bar	31.8 l/min

Only applies to officially listed products.
Tested at Sedal's lab with Sedal's standard faucet
*Peak or limited time condition.

UPPER SEALING

G-35

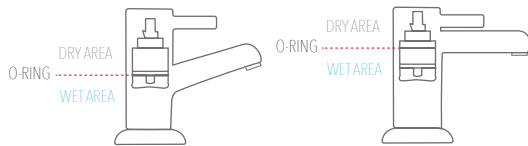
DESCRIPTION

Upper sealed cartridges allow the manufacturer to work with different faucet configurations, including those in which the spout is located on the upper side. Some of these cartridges also provide extra productivity thanks to their design.

ADVANTAGES

● **ALLOWS DIFFERENT FAUCET CONFIGURATIONS**

Allows the manufacturer to work with different faucet configurations, including those in which the spout is located on the upper side.



● **COMPATIBILITY**

Lower sealing compatible with standard 35mm available.

FEATURES



TEMPERATURE LIMITER

Limit maximum temperature in 7 selectable stops for energy saving and to avoid scalding.



ECO

Cartridges identified with an ECO icon offer at least one environmental sustainability feature.



FLOW LIMITER

Limit maximum water flow for water saving.

● **UPPER SEALING WITH LIMITERS AVAILABLE**

TEMPERATURE LIMITER FUNCTION (TR)

G-35 cartridge has an optional ring called TR that allows limiting maximum temperature in 7 selectable stops, enabling an anti-scalding safety feature.



45° TURN



21° TURN

position	15° l/min	65° l/min	°C 3bar
1	16	4	26°
2	12,5	7,5	35°
3	9	11	43°
4	5	15	50°
5	2	18	56°
6	1	19	61°
7	0	20	65°

TEMPERATURE & FLOW LIMITER FUNCTION (TRN)

TRN technology, in addition to limit temperature, allows water saving at the same time thanks to a flow limiter.



The flow can be limited thanks to the screw located in the cartridge lever. By turning the screw, the flow obtained will be reduced, **saving up to 22% of daily water consumption.**



G-35 C/D

REF. 08RG35L4602 (TRN)



DOWNLOAD
DATA SHEET

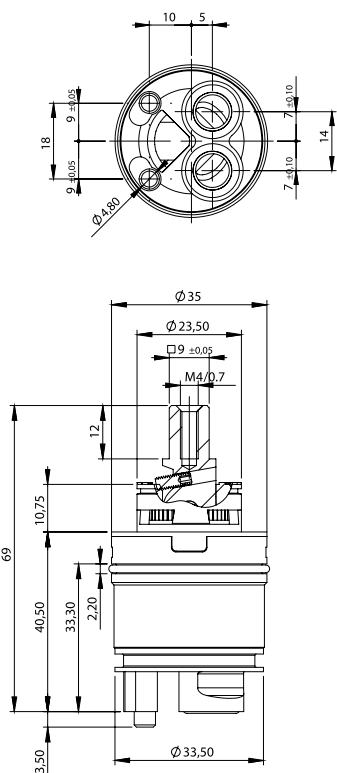
OTHER VERSIONS

C/D

Without limiters

REF. 08G35L0001

DIMENSIONS



RECOMMENDED APPLICATIONS



WASHBASINS

Specially designed for washbasins.



BATH-SHOWERS

Specially designed for bath showers.



KITCHENS

Suitable for use in kitchens.

CERTIFICATIONS



TECHNICAL SPECIFICATIONS

General	C/D
Nut torque pitch M1.5	10-12Nm
Opening angle	23°
Rotation angle	96°
Working pressure (recommended)	1 - 5 bar
Burst pressure	>50 bar
Life cycle - EN 817	70,000 cycles
Sensitivity (r=45mm)	>10° angle
Fidelity	<5° C
Max. hot water*	90 °C

Operation Torque	C/D
Open-close	0.20-0.40 Nm

Flow rate (free flow)	C/D
at 0.5 bar	9.2 l/min
at 1 bar	13 l/min
at 3 bar	22.5 l/min
at 5 bar	29 l/min

* Find machining requirements on pages 116-119.

Only applies to officially listed products.
Tested at Sedal's lab with Sedal's standard faucet
*Peak or limited time condition.

UPPER SEALING

G-35 DUE

DESCRIPTION

Upper sealed cartridges allow the manufacturer to work with different faucet configurations, including those in which the spout is located on the upper side. Some of these cartridges also provide extra productivity thanks to their design.

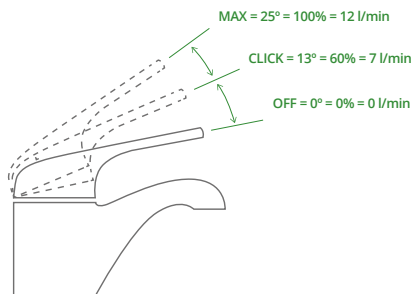
ADVANTAGES

● **ADDITIONAL FEATURES**

G-35 Due has the same advantages than G-35, but with due technology as an additional feature.

● **DUE TECHNOLOGY**

Easier control of water flow thanks to Due technology, which presents a slight resistance to indicate that the fitting is using approximately a 50% of its flow. This feature allows **saving up to 54% of daily water consumption.**



FEATURES



ECO

Cartridges identified with an ECO icon offer at least one environmental sustainability feature.



FLOW LIMITER

Limit maximum water flow for water saving.



DUE

Water flow optimization thanks to a mid-way stop at 60% of the lever stroke that provides up to 50% water saving.



TEMPERATURE LIMITER

Limit maximum temperature in 7 selectable stops for energy saving and to avoid scalding.

● **UPPER SEALING WITH LIMITERS**

TEMPERATURE LIMITER FUNCTION (TR)

G-35 Due cartridge has an optional ring called TR that allows limiting maximum temperature in 7 selectable stops, enabling an anti-scalding safety feature.



45° TURN



21° TURN

position	15° l/min	65° l/min	°C 3bar
1	16	4	26°
2	12,5	7,5	35°
3	9	11	43°
4	5	15	50°
5	2	18	56°
6	1	19	61°
7	0	20	65°

TEMPERATURE & FLOW LIMITER FUNCTION (TRN)

TRN technology, in addition to limit temperature, allows water saving at the same time thanks to a flow limiter.



The flow can be limited thanks to the screw located in the cartridge lever. By turning the screw, the flow obtained will be reduced, **saving up to 22% of daily water consumption.**



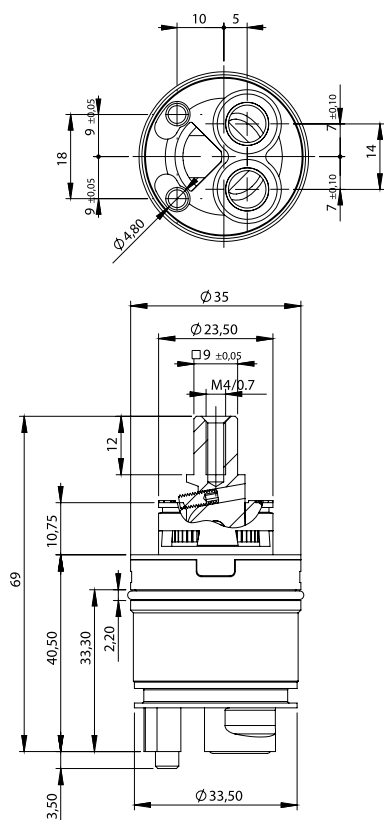
G-35 C/D

DUE

REF. 08G35L0002 (TRN)



DOWNLOAD
DATA SHEET

DIMENSIONS

* Find machining requirements on pages 116-119.

RECOMMENDED APPLICATIONS**WASHBASINS**

Specially designed for washbasins.

**BATH-SHOWERS**

Specially designed for bath showers.

**KITCHENS**

Suitable for use in kitchens.

CERTIFICATIONS**TECHNICAL SPECIFICATIONS**

General	C/D
Nut torque pitch M1.5	10-12Nm
Opening angle	23°
Rotation angle	96°
Working pressure (recommended)	1 - 5 bar
Burst pressure	>50 bar
Life cycle - EN 817	70,000 cycles
Sensitivity (r=45mm)	>10° angle
Fidelity	<5° C
Max. hot water*	90 °C

Operation Torque	C/D
Open-close	0.20-0.40 Nm

Flow rate (free flow)	C/D
at 0.5 bar	9.2 l/min
at 1 bar	13 l/min
at 3 bar	22.5 l/min
at 5 bar	29 l/min

Only applies to officially listed products.
Tested at Sedal's lab with Sedal's standard faucet
*Peak or limited time condition.

UPPER SEALING

G-35 COLD

DESCRIPTION

Uppersealed cartridges allow the manufacturer to work with different faucet configurations, including those in which the spout is located on the upper side. Some of these cartridges also provide extra productivity thanks to their design.

ADVANTAGES

● *ADDITIONAL FEATURES*

G-35 Cold has the same advantages than G-35, but with cold technology as an additional feature.

● *COLD TECHNOLOGY*

The lever is in cold position by default, saving up to 10% from the household energy consumption related to plumbing products. Sedal has developed a new version of standard upper sealing cartridges of 35mm with cold start opening, which flows cold water when the lever is centered. This energy saving feature will help the user to have a better control of energy consumption.

FEATURES



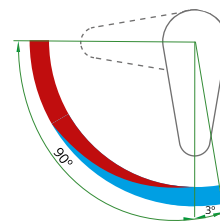
ECO

Cartridges identified with an ECO icon offer at least one environmental sustainability feature.

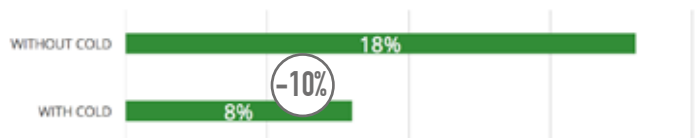


COLD

Energy saving feature thanks to the internal design of the cartridge, flowing cold water when the lever is centered.



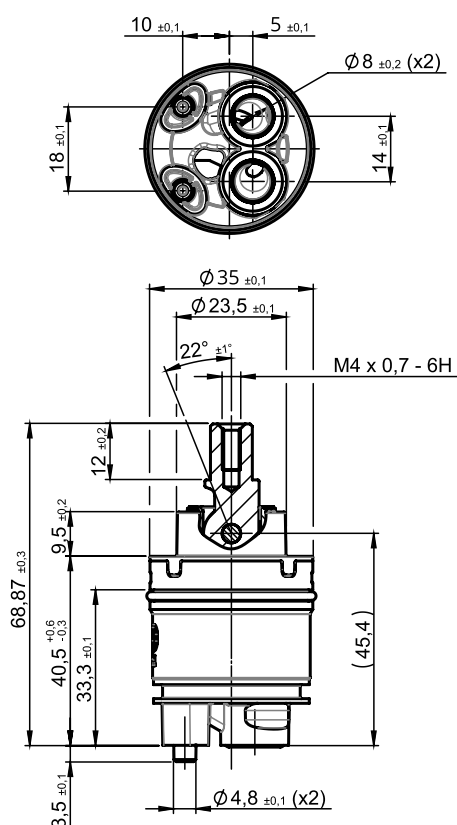
HOUSEHOLD ENERGY CONSUMPTION RELATED TO CARTRIDGES IN %



G-35 C/D

COLD

REF. 08G35L1501


[DOWNLOAD
DATA SHEET](#)
DIMENSIONS

* Find machining requirements on pages 116-119.

RECOMMENDED APPLICATIONS**WASHBASINS**

Specially designed for washbasins.

**KITCHENS**

Suitable for use in kitchens.

CERTIFICATIONS**TECHNICAL SPECIFICATIONS**

General	C/D
Nut torque pitch M1.5	10-12Nm
Opening angle	22°
Rotation angle	93°
Working pressure (recommended)	1 - 5 bar
Burst pressure	>35 bar
Life cycle - EN 817	70,000 cycles
Sensitivity (r=45mm)	>10° angle
Fidelity	<5° C
Max. hot water*	90 °C

Operation Torque	C/D
Open-close	0.20-0.40 Nm

Flow rate (free flow)	C/D
at 0.5 bar	6 l/min
at 1 bar	8.8 l/min
at 3 bar	15.3 l/min
at 5 bar	19.4 l/min

Only applies to officially listed products.
 Tested at Sedal's lab with Sedal's standard faucet
 *Peak or limited time condition.

DIRECT PLUG-IN

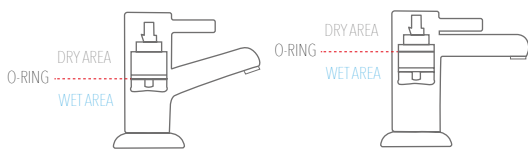
CC-35

DESCRIPTION

Upper sealed cartridges allow the manufacturer to work with different faucet configurations, including those in which the spout is located on the upper side. Some of these cartridges also provide extra productivity thanks to their design.

ADVANTAGES

- DIRECT PLUG-IN**
 Hoses are threaded directly into the cartridge with direct inlet connections
- MODERN FAUCET DESIGNS**
 This kind of cartridge allows modern faucet design options thanks to its multiple configurations.
- COST SAVINGS**
 Direct plug-in allows lighter faucet body and consequently the manufacturer has process and brass savings.
 - Brass saving up to 8%
 - Process saving up to 15%



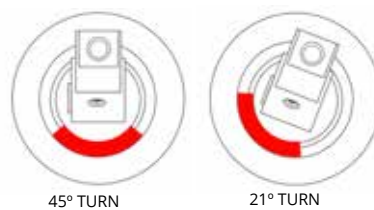
FEATURES

- ECO**
 Cartridges identified with an ECO icon offer at least one environmental sustainability feature.
- TEMPERATURE LIMITER**
 Limit maximum temperature in 7 selectable stops for energy saving and to avoid scalding.
- DIRECT PLUG IN**
 Water inlet hoses are plugged directly into the cartridges.
- FLOW LIMITER**
 Limit maximum water flow for water saving.

VERSIONS WITH LIMITERS

TEMPERATURE LIMITER FUNCTION (TR)

CC-35 cartridge has an optional ring called TR that allows limiting maximum temperature in 7 selectable stops, enabling an anti-scalding safety feature.



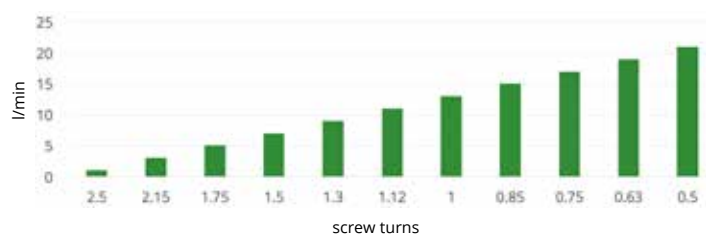
position	15° l/min	65° l/min	°C 3bar
1	16	4	26°
2	12,5	7,5	35°
3	9	11	43°
4	5	15	50°
5	2	18	56°
6	1	19	61°
7	0	20	65°

TEMPERATURE & FLOW LIMITER FUNCTION (TRN)

TRN technology, in addition to limit temperature, allows water saving at the same time thanks to a flow limiter.



The flow can be limited thanks to the screw located in the cartridge lever. By turning the screw, the flow obtained will be reduced, **saving up to 22% of daily water consumption.**



CC-35

REF. 08CC35L0003



DOWNLOAD
DATA SHEET

CC-35

BASIC

REF. 08CC35L0016



DOWNLOAD
DATA SHEET

RECOMMENDED APPLICATIONS



WASHBASINS

Specially designed for washbasins.



KITCHENS

Suitable for use in kitchens.

CERTIFICATIONS



*CC-35 BASIC is ACS certified only

TECHNICAL SPECIFICATIONS

General	CC-35
Nut torque pitch M1.5	10-12Nm
Opening angle	23.5°
Rotation angle	96°
Working pressure (recommended)	1 - 5 bar
Burst pressure	>50 bar
Life cycle - EN 817	70,000 cycles
Sensitivity	11.5° angle
Fidelity	<5° C
Max. hot water*	90 °C

Operation Torque	CC-35
Open-close	0.30-0.50 Nm

Flow rate (free flow)	CC-35
at 0.5 bar	9.2 l/min
at 1 bar	12.9 l/min
at 3 bar	22.4 l/min
at 5 bar	29.1 l/min

Only applies to officially listed products.
Tested at Sedal's lab with Sedal's standard faucet
*Peak or limited time condition.

OTHER VERSIONS

Temperature limiter (TR)
Temperature & flow limiter (TRN)

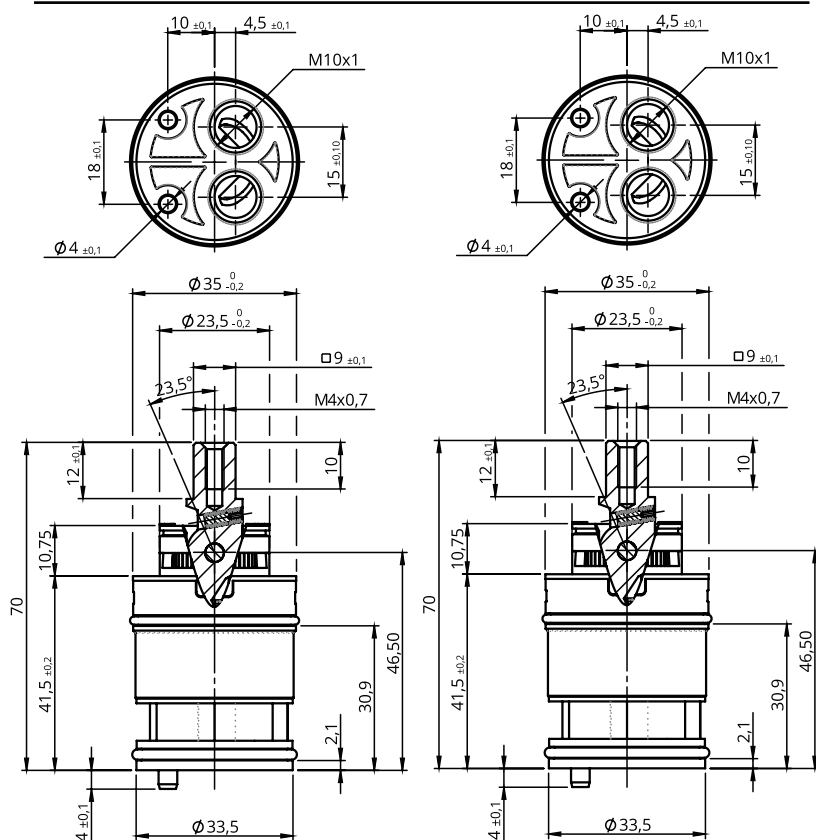
STANDARD

REF. 08CC35L0001
REF.08CC35L4501

BASIC

REF. 08CC35L0002
REF.08CC35L4502

DIMENSIONS



* Find machining requirements on pages 116-119.

DIRECT PLUG-IN

CC-35 DUE

DESCRIPTION

Upper sealed cartridges allow the manufacturer to work with different faucet configurations, including those in which the spout is located on the upper side. Some of these cartridges also provide extra productivity thanks to their design.

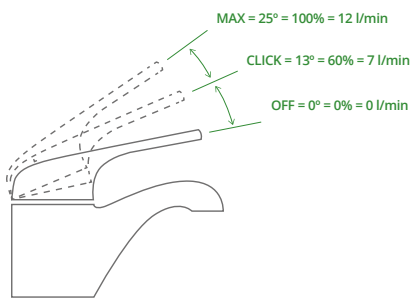
ADVANTAGES

● **ADDITIONAL FEATURES**

CC-35 due has the same advantages than CC-35, but with due technology as an additional feature.

● **DUE TECHNOLOGY**

Easier control of water flow thanks to Due technology, which presents a slight resistance to indicate that the fitting is using approximately a 50% of its flow. This feature allows **saving up to 54% of daily water consumption.**



FEATURES



ECO
 Cartridges identified with an ECO icon offer at least one environmental sustainability feature.



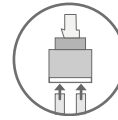
TEMPERATURE LIMITER
 Limit maximum temperature in 7 selectable stops for energy saving and to avoid scalding.



DUE
 Water flow optimization thanks to a mid-way stop at 60% of the lever stroke that provides up to 50% water saving.



FLOW LIMITER
 Limit maximum water flow for water saving.



DIRECT PLUG IN
 Water inlet hoses are plugged directly into the cartridges.

● **VERSIONS WITH LIMITERS**

TEMPERATURE LIMITER FUNCTION (TR)

CC-35 cartridge has an optional ring called TR that allows limiting maximum temperature in 7 selectable stops, enabling an anti-scalding safety feature.



45° TURN



21° TURN

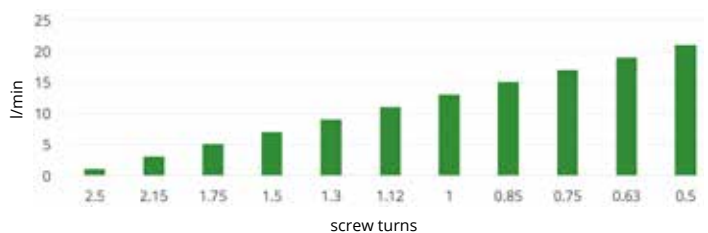
position	15° l/min	65° l/min	°C 3bar
1	16	4	26°
2	12,5	7,5	35°
3	9	11	43°
4	5	15	50°
5	2	18	56°
6	1	19	61°
7	0	20	65°

TEMPERATURE & FLOW LIMITER FUNCTION (TRN)

TRN technology, in addition to limit temperature, allows water saving at the same time thanks to a flow limiter.



The flow can be limited thanks to the screw located in the cartridge lever. By turning the screw, the flow obtained will be reduced, **saving up to 22% of daily water consumption.**



CC-35

DUE BASIC

REF.08CC35L4502 (TRN)



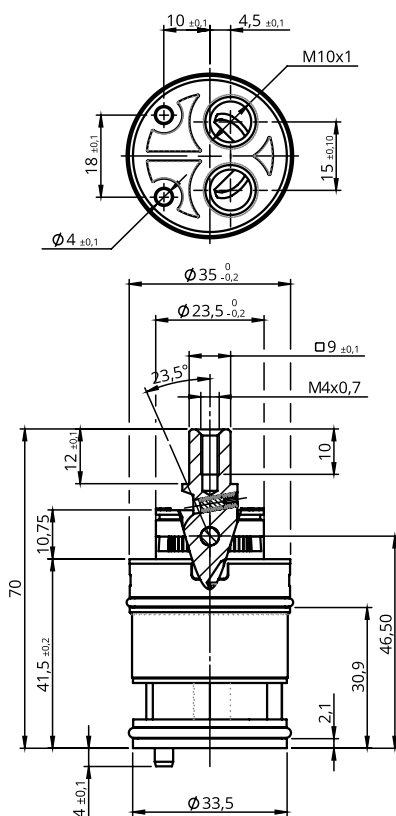
DOWNLOAD
DATA SHEET

OTHER VERSIONS**STANDARD****BASIC**

Temperature limiter (TR)

-

REF. 08CC35L5701

DIMENSIONS

* Find machining requirements on pages 116-119.

RECOMMENDED APPLICATIONS**WASHBASINS**

Specially designed for washbasins.

**KITCHENS**

Suitable for use in kitchens.

CERTIFICATIONS

ACS

TECHNICAL SPECIFICATIONS

General	CC-35 DUE TRN BASIC
Nut torque pitch M1.5	10-12Nm
Opening angle	23.5°
Rotation angle	96°
Working pressure (recommended)	1 - 5 bar
Burst pressure	>50 bar
Life cycle - EN 817	70,000 cycles
Sensitivity	11.5° angle
Fidelity	<5° C
Max. hot water*	90 °C

Operation Torque	CC-35 DUE TRN BASIC
Open-close	0.30-0.50 Nm

Flow rate (free flow)	CC-35 DUE TRN BASIC
at 0.5 bar	9.2 l/min
at 1 bar	12.9 l/min
at 3 bar	22.4 l/min
at 5 bar	29.1 l/min

Only applies to officially listed products.
Tested at Sedal's lab with Sedal's standard faucet
*Peak or limited time condition.

COMPACT EX-35 TOP

DESCRIPTION

Compact 35 mm cartridge allows the manufacturer for short faucets.

ADVANTAGES

- **MINIMALISM WITH HIGH PERFORMANCE**
Compact cartridges allow the manufacturer to create minimalistic faucets without giving up the high-performance features of the cartridges.
- **ECO FEATURES**
35 mm compact cartridges are available with a due option, a feature that provides up to 50% water saving thanks to a mid-way stop at 60% of the lever stroke.
35mm cartridge is also available with temperature and flow limiters.
- **ENHANCED PERFORMANCE**
EX-35 Plus cartridge is a completely new design with enhanced performance, meeting the highest technical requirements.

FEATURES



ECO
Cartridges identified with an ECO icon offer at least one environmental sustainability feature.



TEMPERATURE LIMITER
Limit maximum temperature in 7 selectable stops for energy saving and to avoid scalding.



FLOW LIMITER
Limit maximum water flow for water saving.

● VERSIONS WITH LIMITERS

TEMPERATURE LIMITER FUNCTION (TR)

EX-35 cartridge has an optional ring called TR that allows limiting maximum temperature in 7 selectable stops, enabling an anti-scalding safety feature.



45° TURN



21° TURN

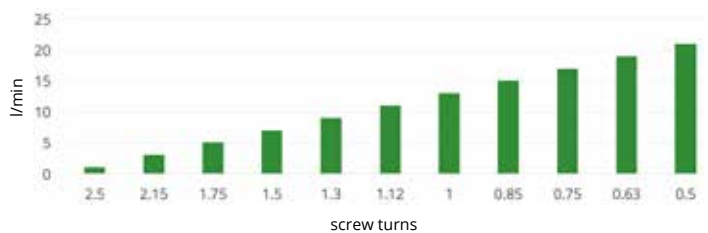
position	15° l/min	65° l/min	°C 3bar
1	16	4	26°
2	12,5	7,5	35°
3	9	11	43°
4	5	15	50°
5	2	18	56°
6	1	19	61°
7	0	20	65°

TEMPERATURE & FLOW LIMITER FUNCTION (TRN)

TRN technology, in addition to limit temperature, allows water saving at the same time thanks to a flow limiter.



The flow can be limited thanks to the screw located in the cartridge lever. By turning the screw, the flow obtained will be reduced, **saving up to 22% of daily water consumption.**



EX-35

TOP TR

REF. 08EX35L0504 (TR)

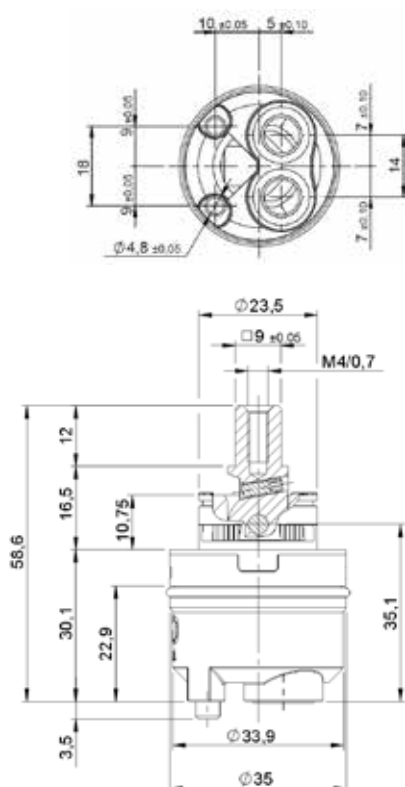


DOWNLOAD
DATA SHEET

OTHER VERSIONS

Temperature limiter (TRN)	REF. 08EX35L4505
35,4mm Ø TR	REF. 08EX35L0502
35,4mm Ø TRN	REF. 08EX35L4504

DIMENSIONS



* Find machining requirements on pages 116-119.

RECOMMENDED APPLICATIONS



CONCEALED WASHBASINS
Specially designed for washbasins.



CONCEALED BATH-SHOWERS
Specially designed for bath showers.



CONCEALED KITCHENS
Suitable for use in kitchens.

CERTIFICATIONS



TECHNICAL SPECIFICATIONS

General	EX-35 TR TOP
Nut torque pitch M1.5	10-12Nm
Opening angle	23°
Rotation angle	93°
Working pressure (recommended)	1 - 5 bar
Burst pressure	>50 bar
Life cycle - EN 817 NF077 U3	175,000 cycles
2 x ASME 112.18.1 M	1,000,000 cycles
Sensitivity (r=45mm)	>12°
Fidelity	<5 °C
Constant 63°C & 50°C (6 l/m & 3 l/m)	<4°C-6°C
Max. hot water*	90 °C

Operation Torque	EX-35 TR TOP
Open-close	0.15-0.30 Nm
Turn left-right	0.15-0.30 Nm

Noise level	EX-35 TR TOP
Noise level	<20 dB(A)

Flow rate (free flow)	EX-35 TR TOP
at 3 bar	26 l/min

Only applies to officially listed products.
Tested at Sedal's lab with Sedal's standard faucet
*Peak or limited time condition.

COMPACT

EX-35 TOP DUE

DESCRIPTION

Compact 35 mm cartridge allows the manufacturer for short faucets.

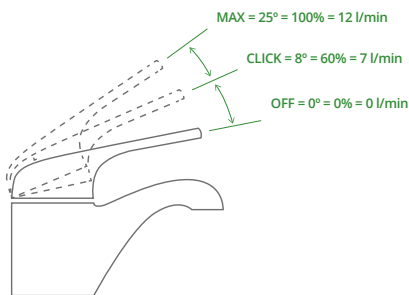
ADVANTAGES

● **ADDITIONAL FEATURES**

EX-35 Plus due has the same advantages than EX-35 Plus, but with due technology as an additional feature.

● **DUE TECHNOLOGY**

Easier control of water flow thanks to Due technology, which presents a slight resistance to indicate that the fitting is using approximately a 50% of its flow. This feature allows **saving up to 54% of daily water consumption.**



FEATURES



ECO
 Cartridges identified with an ECO icon offer at least one environmental sustainability feature.



TEMPERATURE LIMITER
 Limit maximum temperature in 7 selectable stops for energy saving and to avoid scalding.



DUE
 Water flow optimization thanks to a mid-way stop at 60% of the lever stroke that provides up to 50% water saving.



FLOW LIMITER
 Limit maximum water flow for water saving.

● **VERSIONS WITH LIMITERS**

TEMPERATURE LIMITER FUNCTION (TR)

EX-35 cartridge has an optional ring called TR that allows limiting maximum temperature in 7 selectable stops, enabling an anti-scalding safety feature.



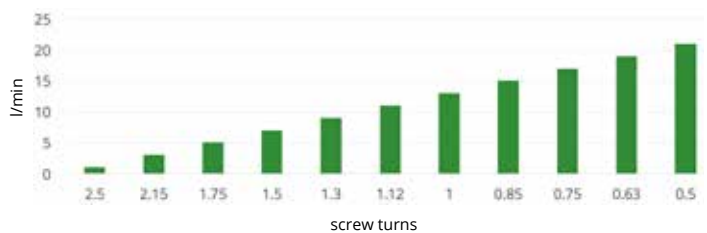
position	15° l/min	65° l/min	°C 3bar
1	16	4	26°
2	12,5	7,5	35°
3	9	11	43°
4	5	15	50°
5	2	18	56°
6	1	19	61°
7	0	20	65°

TEMPERATURE & FLOW LIMITER FUNCTION (TRN)

TRN technology, in addition to limit temperature, allows water saving at the same time thanks to a flow limiter.



The flow can be limited thanks to the screw located in the cartridge lever. By turning the screw, the flow obtained will be reduced, **saving up to 22% of daily water consumption.**



EX-35

TOP DUE TR

REF. 08EX35L3503

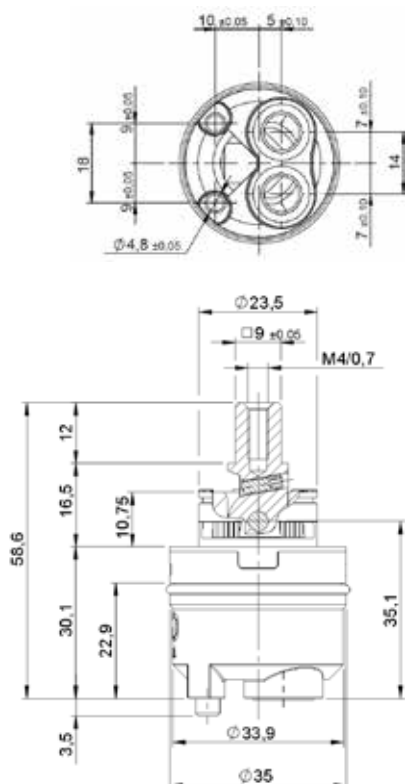


DOWNLOAD
DATA SHEET

OTHER VERSIONS

35,4mm Ø DUE TR

REF. 08EX35L3501

DIMENSIONS

* Find machining requirements on pages 116-119.

RECOMMENDED APPLICATIONS**CONCEALED WASHBASINS**

Specially designed for washbasins.

**CONCEALED BATH-SHOWERS**

Specially designed for bath showers.

**CONCEALED KITCHENS**

Suitable for use in kitchens.

CERTIFICATIONS**TECHNICAL SPECIFICATIONS**

General	EX-35 TR TOP
Nut torque pitch M1.5	10-12Nm
Opening angle	23°
Rotation angle	100°
Working pressure (recommended)	1 - 5 bar
Burst pressure	>50 bar
Life cycle - EN 817 NF077 U3	175,000 cycles
2 x ASME 112.18.1 M	1,000,000 cycles
Sensitivity (r=45mm)	>12°
Fidelity	<5 °C
Constant 63°C & 50°C (6 l/m & 3 l/m)	<4°C-6°C
Max. hot water*	90 °C

Operation Torque	EX-35 TR TOP
Open-close	0.15-0.30 Nm
Turn left-right	0.15-0.30 Nm

Noise level	EX-35 TR TOP
Noise level	<20 dB(A)

Flow rate (free flow)	EX-35 TR TOP
at 3 bar	26 l/min

Only applies to officially listed products.
Tested at Sedal's lab with Sedal's standard faucet
*Peak or limited time condition.

COMPACT

EX-35 TOP COLD

DESCRIPTION

Compact 35 mm cartridge allows the manufacturer for short faucets.

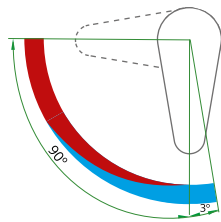
ADVANTAGES

● **ADDITIONAL FEATURES**

EX-35 Plus cold has the same advantages than EX-35 Plus, but with cold technology as an additional feature.

● **COLD TECHNOLOGY**

The lever is in cold position by default, **saving up to 10% from the household energy consumption** related to plumbing products.



FEATURES



ECO

Cartridges identified with an ECO icon offer at least one environmental sustainability feature.



TEMPERATURE LIMITER

Limit maximum temperature in 7 selectable stops for energy saving and to avoid scalding.



COLD

Energy saving feature thanks to the internal design of the cartridge, flowing cold water when the lever is centered.



FLOW LIMITER

Limit maximum water flow for water saving.

● **VERSIONS WITH LIMITERS**

TEMPERATURE LIMITER FUNCTION (TR)

EX-35 cartridge has an optional ring called TR that allows limiting maximum temperature in 7 selectable stops, enabling an anti-scalding safety feature.



45° TURN



21° TURN

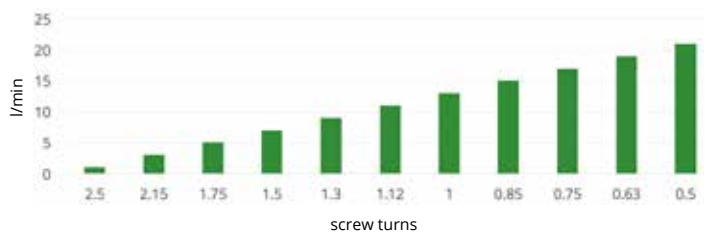
position	15° l/min	65° l/min	°C 3bar
1	16	4	26°
2	12,5	7,5	35°
3	9	11	43°
4	5	15	50°
5	2	18	56°
6	1	19	61°
7	0	20	65°

TEMPERATURE & FLOW LIMITER FUNCTION (TRN)

TRN technology, in addition to limit temperature, allows water saving at the same time thanks to a flow limiter.



The flow can be limited thanks to the screw located in the cartridge lever. By turning the screw, the flow obtained will be reduced, **saving up to 22% of daily water consumption.**



EX-35

TOP COLD TR

REF. 08EX35L2502



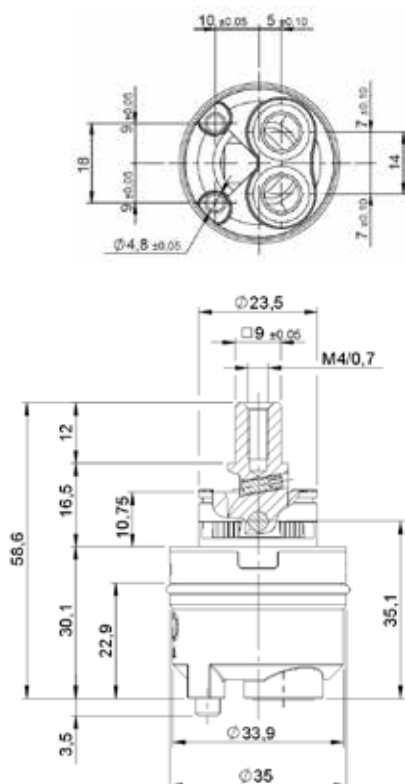
AVAILABLE
FROM Q3 2020



DOWNLOAD
DATA SHEET

OTHER VERSIONS

Temperature limiter (TRN)	REF. 08EX35L4003
35,4mm Ø TR	REF. 08EX35L2501
35,4mm Ø TRN	REF. 08EX35L4002

DIMENSIONS

* Find machining requirements on pages 116-119.

RECOMMENDED APPLICATIONS

CONCEALED WASHBASINS
Specially designed for washbasins.



CONCEALED KITCHENS
Suitable for use in kitchens.

CERTIFICATIONS**TECHNICAL SPECIFICATIONS**

General	EX-35 TR TOP
Nut torque pitch M1.5	10-12Nm
Opening angle	23°
Rotation angle	93°
Working pressure (recommended)	1 - 5 bar
Burst pressure	>50 bar
Life cycle - EN 817 NF077 U3	175,000 cycles
2 x ASME 112.18.1 M	1,000,000 cycles
Sensitivity (r=45mm)	>12°
Fidelity	<5 °C
Constant 63°C & 50°C (6 l/m & 3 l/m)	<4°C-6°C
Max. hot water*	90 °C

Operation Torque	EX-35 TR TOP
Open-close	0.15-0.30 Nm
Turn left-right	0.15-0.30 Nm

Noise level	EX-35 TR TOP
Noise level	<20 dB(A)

Flow rate (free flow)	EX-35 TR TOP
at 3 bar	26 l/min

Only applies to officially listed products.
Tested at Sedal's lab with Sedal's standard faucet
*Peak or limited time condition.

COMPACT

EX-35 TOP COLD DUE

DESCRIPTION

Compact 35 mm cartridge allows the manufacturer for short faucets.

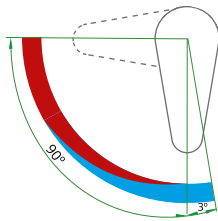
ADVANTAGES

● **ADDITIONAL FEATURES**

EX-35 Plus cold due has the same advantages than EX-35 Plus, but with due and cold technologies as an additional features.

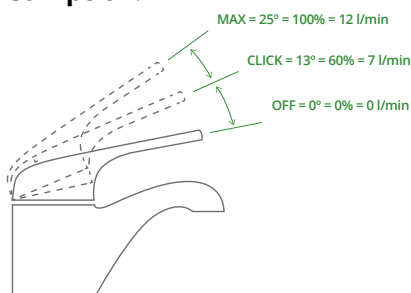
● **COLD TECHNOLOGY**

The lever is in cold position by default, **saving up to 10% from the household energy consumption** related to plumbing products.



● **DUE TECHNOLOGY**

Easier control of water flow thanks to Due technology, which presents a slight resistance to indicate that the fitting is using approximately a 50% of its flow. This feature allows **saving up to 54% of daily water consumption**.



FEATURES



DUE

Water flow optimization thanks to a mid-way stop at 60% of the lever stroke that provides up to 50% water saving.



TEMPERATURE LIMITER

Limit maximum temperature in 7 selectable stops for energy saving and to avoid scalding.



COLD

Energy saving feature thanks to the internal design of the cartridge, flowing cold water when the lever is centered.



FLOW LIMITER

Limit maximum water flow for water saving.



ECO

Cartridges identified with an ECO icon offer at least one environmental sustainability feature.

● **VERSIONS WITH LIMITERS**

TEMPERATURE LIMITER FUNCTION (TR)

EX-35 cartridge has an optional ring called TR that allows limiting maximum temperature in 7 selectable stops, enabling an anti-scalding safety feature.



45° TURN



21° TURN

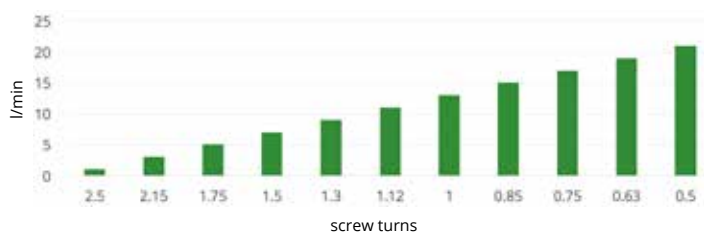
position	15° l/min	65° l/min	°C 3bar
1	16	4	26°
2	12,5	7,5	35°
3	9	11	43°
4	5	15	50°
5	2	18	56°
6	1	19	61°
7	0	20	65°

TEMPERATURE & FLOW LIMITER FUNCTION (TRN)

TRN technology, in addition to limit temperature, allows water saving at the same time thanks to a flow limiter.



The flow can be limited thanks to the screw located in the cartridge lever. By turning the screw, the flow obtained will be reduced, **saving up to 22% of daily water consumption**.



EX-35

TOP COLD DUE TR

REF. 08EX35L5003 (TR)



AVAILABLE
FROM Q3 2020



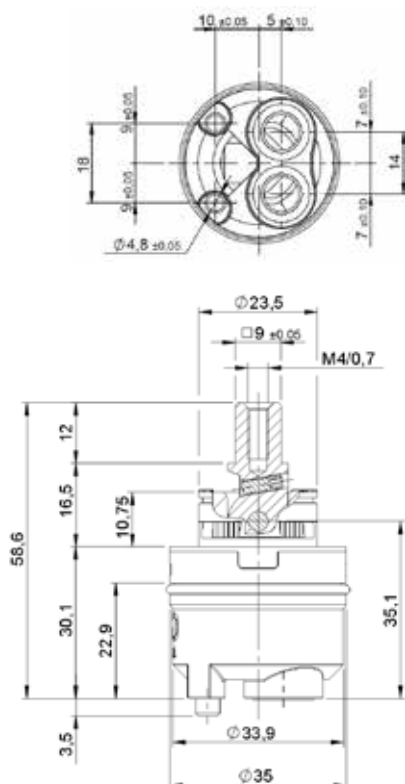
DOWNLOAD
DATA SHEET

OTHER VERSIONS

35,4mm Ø COLD DUE TR

REF. 08EX35L5002

DIMENSIONS



* Find machining requirements on pages 116-119.

RECOMMENDED APPLICATIONS



CONCEALED WASHBASINS
Specially designed for washbasins.



CONCEALED KITCHENS
Suitable for use in kitchens.

CERTIFICATIONS



TECHNICAL SPECIFICATIONS

General	EX-35 TR TOP
Nut torque pitch M1.5	10-12Nm
Opening angle	23°
Rotation angle	93°
Working pressure (recommended)	1 - 5 bar
Burst pressure	>50 bar
Life cycle - EN 817 NF077 U3 2 x ASME 112.18.1 M	175,000 cycles 1,000,000 cycles
Sensitivity (r=45mm)	>12°
Fidelity	<5 °C
Constant 63°C & 50°C (6 l/m & 3 l/m)	<4°C-6°C
Max. hot water*	90 °C

Operation Torque	EX-35 TR TOP
Open-close	0.15-0.30 Nm
Turn left-right	0.15-0.30 Nm

Noise level	EX-35 TR TOP
Noise level	<20 dB(A)

Flow rate (free flow)	EX-35 TR TOP
at 3 bar	26 l/min

Only applies to officially listed products.
Tested at Sedal's lab with Sedal's standard faucet
*Peak or limited time condition.

COMPACT

EX-35




DESCRIPTION

Compact 35 mm cartridge allows the manufacturer for short faucets.

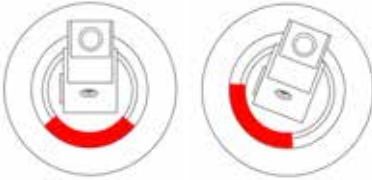
ADVANTAGES

- **MINIMALISM WITH HIGH PERFORMANCE**
Compact cartridges allow the manufacturer to create minimalistic faucets without giving up the high-performance features of the cartridges.
- **ECO FEATURES**
35 mm and 40mm compact cartridges are available with a due option, a feature that provides up to 50% water saving thanks to a mid-way stop at 60% of the lever stroke. 35mm cartridge is also available with temperature and flow limiters.

FEATURES

- 
ECO
Cartridges identified with an ECO icon offer at least one environmental sustainability feature.
- 
FLOW LIMITER
Limit maximum water flow for water saving.
- 
TEMPERATURE LIMITER
Limit maximum temperature in 7 selectable stops for energy saving and to avoid scalding.

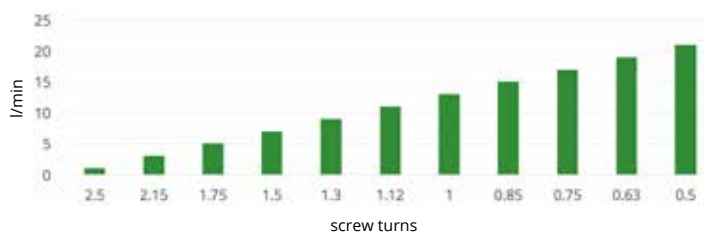
- **VERSIONS WITH LIMITERS**
TEMPERATURE LIMITER FUNCTION (TR)
EX-35 cartridge has an optional ring called TR that allows limiting maximum temperature in 7 selectable stops, enabling an anti-scalding safety feature.



position	15° l/min	65° l/min	°C 3bar
1	16	4	26°
2	12,5	7,5	35°
3	9	11	43°
4	5	15	50°
5	2	18	56°
6	1	19	61°
7	0	20	65°

- **TEMPERATURE & FLOW LIMITER FUNCTION (TRN)**
TRN technology, in addition to limit temperature, allows water saving at the same time thanks to a flow limiter.

The flow can be limited thanks to the screw located in the cartridge lever. By turning the screw, the flow obtained will be reduced, **saving up to 22% of daily water consumption.**



EX-35

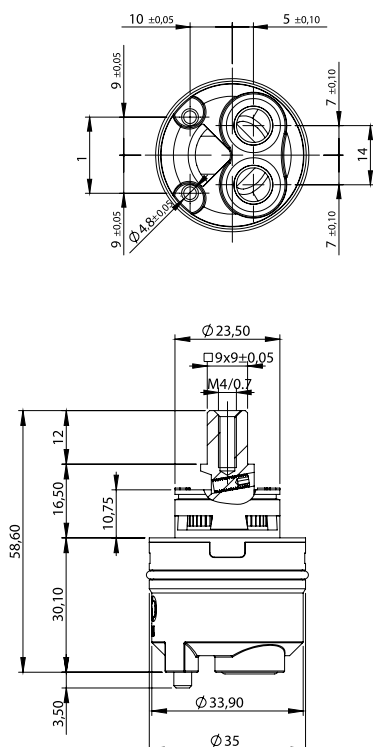
TRN

REF. 08EX35S0001 (TRN)


[DOWNLOAD
DATA SHEET](#)
OTHER VERSIONS

Without limiters

REF. 08EX35S1001

DIMENSIONS

* Find machining requirements on pages 116-119.

RECOMMENDED APPLICATIONS**CONCEALED WASHBASINS**

Specially designed for washbasins.

**CONCEALED BATH-SHOWERS**

Specially designed for bath showers.

**CONCEALED KITCHENS**

Suitable for use in kitchens.

CERTIFICATIONS**TECHNICAL SPECIFICATIONS**

General	EX-35 TRN
Nut torque pitch M1.5	10-12Nm
Opening angle	24°
Rotation angle	96°
Working pressure (recommended)	1 - 5 bar
Burst pressure	56 bar
Life cycle - EN 817	70,000 cycles
Sensitivity	10°-12° angle
Fidelity	3 °C
Max. hot water*	90 °C

Operation Torque	EX-35 TRN
Open-close	0.20-0.30 Nm

Flow rate (free flow)	EX-35 TRN
at 0.5 bar	8.5 l/min
at 1 bar	12 l/min
at 3 bar	20.8 l/min
at 5 bar	26.8 l/min

Only applies to officially listed products.
Tested at Sedal's lab with Sedal's standard faucet
*Peak or limited time condition.

COMPACT EX-35 DUE

DESCRIPTION

Compact 35 mm cartridge allows the manufacturer for short faucets.

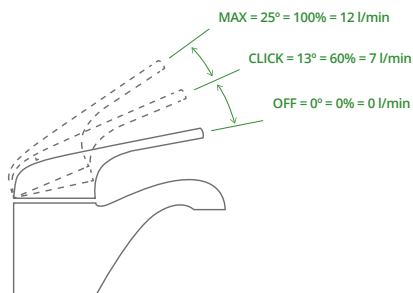
ADVANTAGES

● ADDITIONAL FEATURES

EX-35 due has the same advantages than EX-35, but with due technology as an additional feature.

● DUE TECHNOLOGY

Easier control of water flow thanks to Due technology, which presents a slight resistance to indicate that the fitting is using approximately a 50% of its flow. This feature allows **saving up to 54% of daily water consumption.**



FEATURES



ECO

Cartridges identified with an ECO icon offer at least one environmental sustainability feature.



TEMPERATURE LIMITER

Limit maximum temperature in 7 selectable stops for energy saving and to avoid scalding.



DUE

Water flow optimization thanks to a mid-way stop at 60% of the lever stroke that provides up to 50% water saving.



FLOW LIMITER

Limit maximum water flow for water saving.

● VERSIONS WITH LIMITERS

TEMPERATURE LIMITER FUNCTION (TR)

EX-35 cartridge has an optional ring called TR that allows limiting maximum temperature in 7 selectable stops, enabling an anti-scalding safety feature.



45° TURN



21° TURN

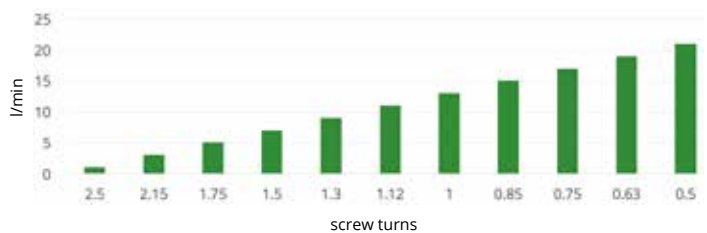
position	15° l/min	65° l/min	°C 3bar
1	16	4	26°
2	12,5	7,5	35°
3	9	11	43°
4	5	15	50°
5	2	18	56°
6	1	19	61°
7	0	20	65°

TEMPERATURE & FLOW LIMITER FUNCTION (TRN)

TRN technology, in addition to limit temperature, allows water saving at the same time thanks to a flow limiter.



The flow can be limited thanks to the screw located in the cartridge lever. By turning the screw, the flow obtained will be reduced, **saving up to 22% of daily water consumption.**



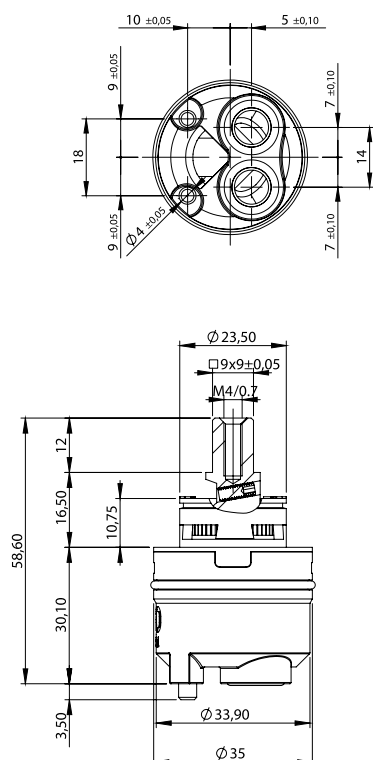
EX-35

TRN DUE

REF. 08EX35S3501 (TRN)



DOWNLOAD
DATA SHEET

DIMENSIONS

* Find machining requirements on pages 116-119.

RECOMMENDED APPLICATIONS**CONCEALED WASHBASINS**

Specially designed for washbasins.

**CONCEALED BATH-SHOWERS**

Specially designed for bath showers.

**CONCEALED KITCHENS**

Suitable for use in kitchens.

CERTIFICATIONS**TECHNICAL SPECIFICATIONS**

General	EX-35 TRN
Nut torque pitch M1.5	10-12Nm
Opening angle	24°
Rotation angle	96°
Working pressure (recommended)	1 - 5 bar
Burst pressure	56 bar
Life cycle - EN 817	70,000 cycles
Sensitivity	10°-12° angle
Fidelity	3 °C
Max. hot water*	90 °C

Operation Torque	EX-35 TRN
Open-close	0.20-0.30 Nm
Saving device (DUE)	0.60-0.90 Nm

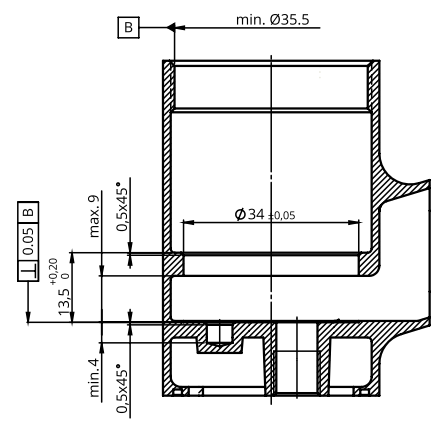
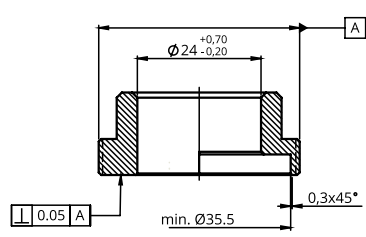
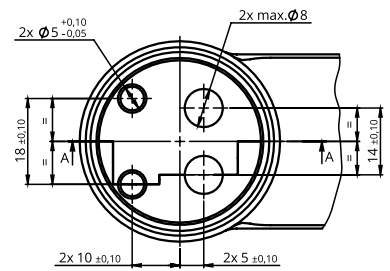
Flow rate (free flow)	EX-35 TRN
at 0.5 bar	8.5 l/min
at 1 bar	12 l/min
at 3 bar	20.8 l/min
at 5 bar	26.8 l/min

Only applies to officially listed products.
Tested at Sedal's lab with Sedal's standard faucet
*Peak or limited time condition.

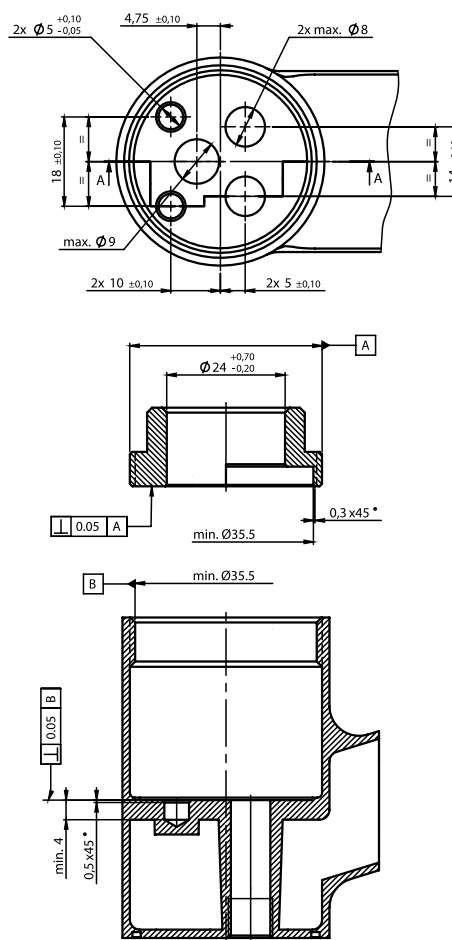
MACHINING REQUIREMENTS

CHART OF MACHINING REQUIREMENTS

DIAMETER	CARTRIDGE	REFERENCE	PAGE	MACHINING TIP
	EN-35 C/D TOP	08EN35L0023	40	
	EN-35 C/D TOP DUE	08EN35L3504	42	
	EN-35 C/D TOP COLD	08EN35L2502	44	
	EN-35 C/D TOP COLD DUE	08EN35L5002	46	
	SN-35 C/D ENDURA	08SN35L0013	48	
	SN-35 C/D ENDURA DUE	08SN35L3001	50	
	SN-35 C/D ENDURA COLD	08SN35L1502	52	
	SN-35 C/D ENDURA COLD DUE	08SN35L0004	54	
	EN-35 C/D ENDURA	08EN35L0004	56	
	EN-35 C/D ENDURA DUE	08EN35L3001	58	
	EN-35 C/D ENDURA COLD	08EN35L1503	60	
	EN-35 S/D ENDURA COLD MIRROR	08EN35L1505	62	
	EN-35 C/D ENDURA COLD DUE	08EN35L0005	64	
35 mm	EN-35 C/D ENDURA COLD MIRROR DUE	08EN35L2002	66	
	EN-35 C/D	08EN35L0003	68	
	EN-35 C/D DUE	08E35LAZ30	69	
	SN-35 C/D	08SN35LGO00	70	
	TRN-35 C/D	08RN35LVE00	71	
	EN-35 C/D BG BASIC	08EN35L0011	72	
	SN-35 C/D ECOFLOW	08SN35L0008	74	
	SN-35 C/D TERMACLICK	08SN35L2003	76	
	SN-35 C/D TERMACLICK MIRROR	08SN35L2004	78	
	GI-35 C/D	08GI35LBE64	84	
	GI-35 C/D L9	08GI35LBE09	86	
	GI-35 C/D Z20	08GI35LBE01	87	
	GD-35 C/D	08GD35LBE00	88	
	JY-35 C/D	08JY35L001	92	



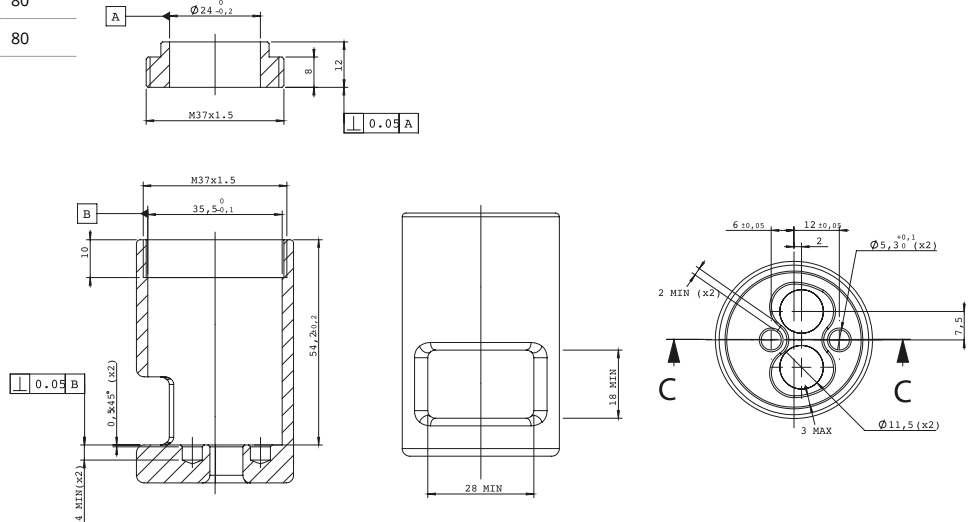
DIAMETER	CARTRIDGE	REFERENCE	PAGE	MACHINING TIP
	EN-35 S/D TOP	08EN35S0023	40	
	EN-35 S/D TOP DUE	08EN35S3504	42	
	EN-35 S/D TOP COLD	08EN35S4003	44	
	EN-35 S/D TOP COLD DUE	08EN35S5002	46	
	SN-35 S/D ENDURA	08SN35S0013	48	
	SN-35 S/D ENDURA DUE	08SN35S3001	50	
	SN-35 S/D ENDURA COLD	08SN35S1502	52	
	SN-35 S/D ENDURA COLD DUE	08SN35S0004	54	
	EN-35 S/D ENDURA	08EN35S0004	56	
	EN-35 S/D ENDURA DUE	08EN35S3001	58	
	EN-35 S/D ENDURA COLD	08EN35S1503	60	
	EN-35 S/D ENDURA COLD MIRROR	08EN35S1505	62	
	EN-35 S/D ENDURA COLD DUE	08EN35S0005	64	
35 mm	EN-35 S/D ENDURA COLD MIRROR DUE	08EN35S2002	66	
	EN-35 S/D	08EN35S0003	68	
	EN-35 S/D DUE	08E35FAZ31	69	
	SN-35 S/D	08SN35FGO00	70	
	TRN-35 S/D	08RN35FVE00	71	
	EN-35 S/D BG BASIC	08EN35S0011	72	
	SN-35 S/D ECOFLOW	08SN35S0009	74	
	SN-35 S/D TERMACLICK	08SN35S2003	76	
	SN-35 S/D TERMACLICK MIRROR	08SN35S2004	78	
	GI-35 S/D	08GI35FBE64	84	
	GI-35 S/D L9	08GI35FBE09	86	
	GI-35 S/D Z20	08GI35FBE01	87	
	GD-35 S/D	08GD35FBE00	88	



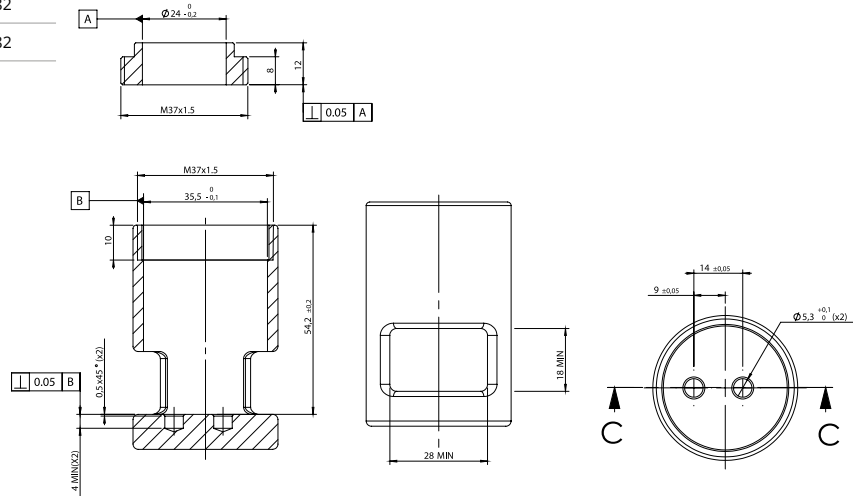
MACHINING REQUIREMENTS

CHART OF MACHINING REQUIREMENTS

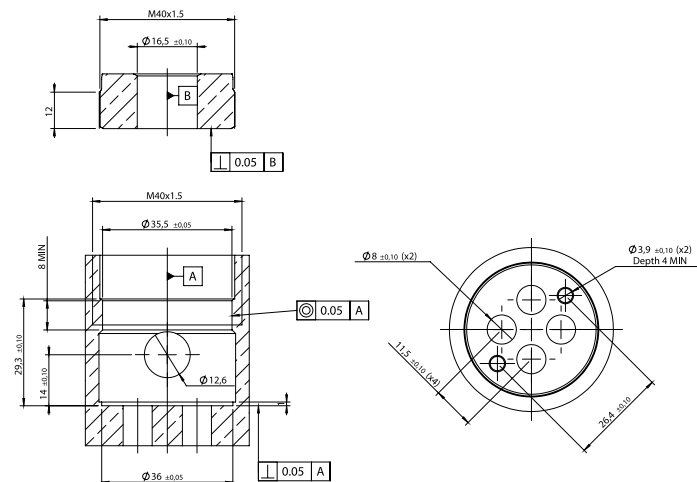
DIAMETER	CARTRIDGE	REFERENCE	PAGE	MACHINING TIP
35 mm	SN-35 BISO 3	08SN35B0001	80	
	SN-35 BISO 2	08SN35B0002	80	



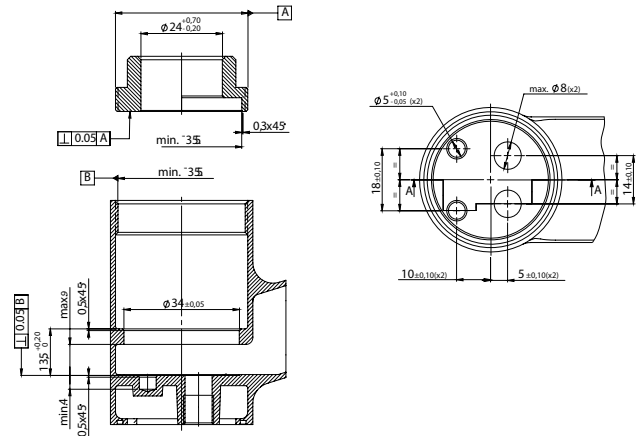
DIAMETER	CARTRIDGE	REFERENCE	PAGE	MACHINING TIP
35 mm	SN-35 SISO 3	08SN35A0001	82	
	SN-35 SISO 2	08SN35A0002	82	



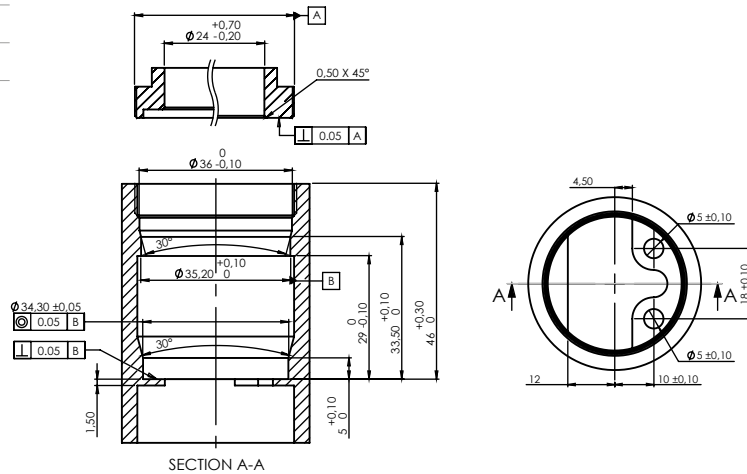
DIAMETER	CARTRIDGE	REFERENCE	PAGE	MACHINING TIP
35 mm	GD-35 S/D 4	08GD35S0004	90	



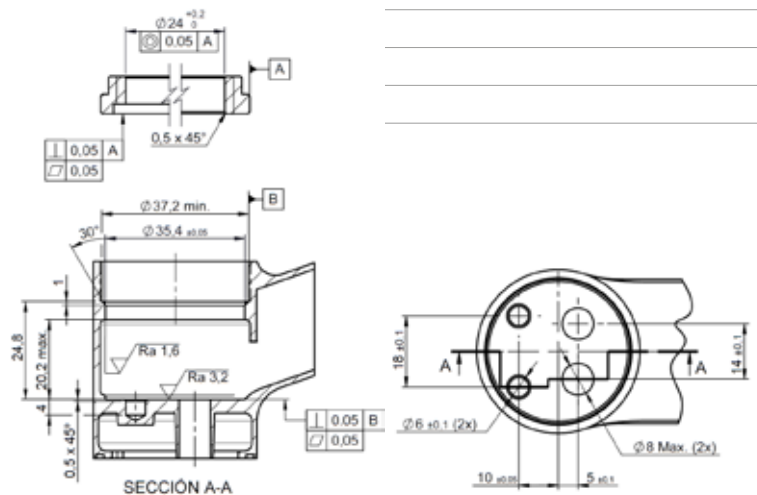
DIAMETER	CARTRIDGE	REFERENCE	PAGE	MACHINING TIP
	G-35 C/D	08RG35L4602	94	
35 mm	G-35 C/D DUE	08G35L0002	96	
	G-35 C/D COLD	08G35L1501	98	



DIAMETER	CARTRIDGE	REFERENCE	PAGE	MACHINING TIP
	CC-35	08CC35L0003	100	
35 mm	CC-35 BASIC	08CC35L0016	100	
	CC-35 DUE	08CC35L4502	102	



DIAMETER	CARTRIDGE	REFERENCE	PAGE	MACHINING TIP
	EX-35 TOP	08EX35L0504	104	
	EX-35 TOP DUE	08EX35L3503	106	
35 mm	EX-35 TOP COLD	08EX35L2502	108	
	EX-35 TOP COLD DUE	08EX35L5003	110	
	EX-35 TRN	08EX35S0001	112	
	EX-35 TRN DUE	08EX35S3501	114	




40MM CARTRIDGES

*FOR SINGLE
LEVER FAUCETS*





INDEX · 40MM CARTRIDGES

THEDRA

		TEMP. LIMITER	FLOW LIMITER		CODE	PG	
SN		THEDRA	✓	✓	CD SD	08SN40L0001 08SN40S0001	122
		DUE	✓	-	CD SD	08SN40L3001 08SN40S3001	124
		COLD	✓	✓	CD SD	08SN40L1501 08SN40S1501	126
		COLD DUE	✓	✓	CD SD	08SN40L5501 08SN40S5501	128

HIGH FLOW

		TEMP. LIMITER	FLOW LIMITER		CODE	PG	
40MM		GC-40	✓	✓	CD SD	08GC40L0001 08GC40S0001	144
		GC-40 DUE	✓	-	CD SD	ON DEMAND ON DEMAND	146
45MM					SD	08GC45FBE00	148


STANDARD

		TEMP. LIMITER	FLOW LIMITER		CODE	PG	
E & EN		EN-40	-	-	CD SD	08EN40LAZ00 08EN40FAZ00	130
		E-40 DUE	-	-	SD	08E40FAZ30	131
		E-40 C1	-	-	CD SD	08EN40L1002 08EN40S1002	132
		E-40 C2	-	-	CD SD	08EN40L3005 08EN40S3005	133
		EN-40 COLD DUE	-	-	CD SD	08EC40L3003 08EC40S3003	134
		EN-40 COLD MIRROR DUE	-	-	CD SD	08EC40L2001 08EC40S2001	136
SN					CD SD	08SN40LAZ00 08SN40SAZ00	138
TRN					CD SD	08RN40LVE00 08RN40FVE00	139



SPECIALS

		TEMP. LIMITER	FLOW LIMITER		CODE	PG	
REVOLVING		GI-40 L10 TR	✓	-	CD SD	08GI40LBE64 08GI40FBE64	150
		GI-40 Z20	-	-	CD SD	08GI40LBE00 08GI40FBE00	152
		GI-40 L10	-	-	CD SD	08GI40LBE10 08GI40FBE10	153
DIVERTER					SD	08GD40S0001	154
JOYSTICK					CD SD	08JY40LBE00 08JY40FBE00	156
PB					CD	08PB40L0001	158


BASIC

		TEMP. LIMITER	FLOW LIMITER		CODE	PG	
BASIC					CD SD	08DN40LBG01 08DN40FBG01	140

UPPER SEALING

		TEMP. LIMITER	FLOW LIMITER		CODE	PG	
UPPER SEAL.		G-40	✓	✓	CD	08G40LBE00	160
		G-40 DUE	✓	✓	CD	08G40LBE30	160
COMPACT		EX-40	✓	✓	CD	08EX40S0001	162
		EX-40 DUE	✓	✓	CD	08EX40S3001	162

ECOFLOW

		TEMP. LIMITER	FLOW LIMITER		CODE	PG	
SN					CD SD	08SN40L0003 08SN40S0004	142

SN-40 THEDRA

DESCRIPTION

40mm cartridge with a unique clean and smart design that confers an undeniable ability to withstand the most extreme working conditions and requests: compression, torque, handle load, burst and x2 life cycles, granting smooth but firm user operation thanks to Glide Feel Technology. It also includes TR and TRN versions.

ADVANTAGES

- **SN TECHNOLOGY**
Ceramics discs do not move in close position providing a unique smoothness of operation and higher durability (up to 20% longer life).
- **CHALLENGE, TECHNOLOGY**
Careful design, ceramic expertise, several smart technologies, high performance materials and extraordinarily precise components are used to build the new THEDRA cartridges.
- **GREAT RANGE. GREATER POSSIBILITIES**
THEDRA valve range provides more than 20 different combinations for the manufacturers to develop their products.
- **OUT OF SOLID ROCK**
THEDRA is designed according to the roughest manufacturer's technical requests.
- **ENJOY THE SILENCE**
THEDRA is NF Class I compliant, featuring Sedal's Noise Cancelling Technology.
- **DOUBLE LIFE-CYCLE**
The new THEDRA cartridge has 2 times ASME life cycles thanks to SedalOX™ 96.
- **UNEQUAL DESIGN, UNEQUAL RESULTS**
THEDRA was granted with reddot award in 2016.

FEATURES



SOFT

Up to 40% softer lever operation than standard cartridges thanks to a clutched ceramic operation design.



ECO

Cartridges identified with an ECO icon offer at least one environmental sustainability feature.



TEMPERATURE LIMITER

Limit maximum temperature in 7 selectable stops for energy saving and to avoid scalding.



FLOW LIMITER

Limit maximum water flow for water saving.

VERSIONS WITH LIMITERS

TEMPERATURE LIMITER FUNCTION (TR)

Thedra cartridge has an optional ring called TR that allows limiting maximum temperature in 7 selectable stops, enabling an anti-scalding safety feature.



45° TURN



21° TURN

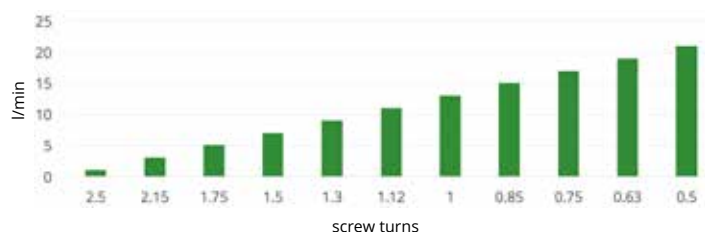
position	15° l/min	65° l/min	°C 3bar
1	16	4	26°
2	12,5	7,5	35°
3	9	11	43°
4	5	15	50°
5	2	18	56°
6	1	19	61°
7	0	20	65°

TEMPERATURE & FLOW LIMITER FUNCTION (TRN)

TRN technology, in addition to limit temperature, allows water saving at the same time thanks to a flow limiter.



The flow can be limited thanks to the screw located in the cartridge lever. By turning the screw, the flow obtained will be reduced, **saving up to 22% of daily water consumption.**



SN-40 C/D

THEDRA

REF. 08SN40L0001



DOWNLOAD DATA SHEET

SN-40 S/D

THEDRA

REF. 08SN40S0001



DOWNLOAD DATA SHEET

RECOMMENDED APPLICATIONS



WASHBASINS

Specially designed for washbasins.



BATH-SHOWERS

Specially designed for bath showers.



KITCHENS

Suitable for use in kitchens.

CERTIFICATIONS



TECHNICAL SPECIFICATIONS

General	C/D	S/D
Nut torque pitch M1.5	10-12Nm	10-12Nm
Opening angle	25°	25°
Rotation angle	100°	100°
Working pressure (recommended)	1 - 5 bar	1 - 5 bar
Burst pressure	>50 bar	>50 bar
Life cycle - EN 817 NF U3	175,000 cycles	175,000 cycles
x2 ASME	1,000,000 cycles	1,000,000 cycles
x2 GB18145	140,000 cycles	140,000 cycles
Sensitivity	>10-12 mm	>10-12 mm
Fidelity	<3°	<3°
Constant 63°C & 50°C (6 l/min - 3 l/min)	<4°C - <6°C	<4°C - <6°C
Max. hot water*	90 °C	90 °C

Operation Torque	C/D	S/D
Open-close	0.20-0.40 Nm	0.20-0.40 Nm
Turn left-right	0.20-0.40 Nm	0.20-0.40 Nm

Noise level	C/D	S/D
Noise level	<20 dB	<20 dB

Flow rate (free flow)	C/D	S/D
at 0.2 bar	8.3 l/min	7.6 l/min
at 1 bar	18.3 l/min	16.6 l/min
at 3 bar	31.5 l/min	28.6 l/min
at 5 bar	40.1 l/min	37 l/min

Only applies to officially listed products.
 Tested at Sedal's lab with Sedal's standard faucet
 *Peak or limited time condition.

OTHER VERSIONS

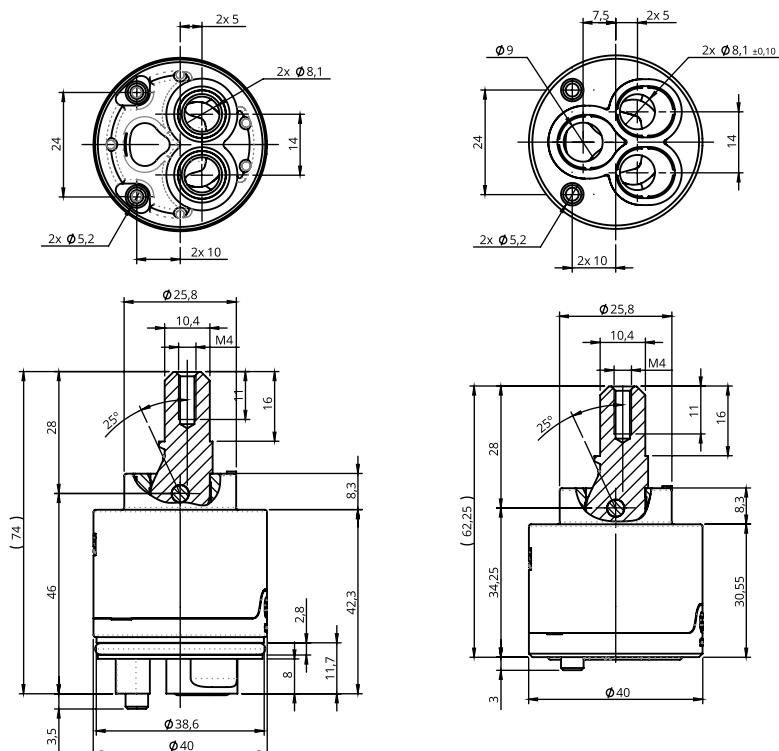
Temperature limiter (TR)
 Temperature & flow limiter (TRN)

REF.08SN40L0501	REF. 08SN40S0501
REF.08SN40L4501	REF. 08SN40S4501

CD

SD

DIMENSIONS



* Find machining requirements on pages 164-167.

SN-40 THEDRA DUE

DESCRIPTION

40mm cartridge with a unique clean and smart design that confers an undeniable ability to withstand the most extreme working conditions and requests: compression, torque, handle load, burst and x2 life cycles, granting smooth but firm user operation thanks to Glide Feel Technology. It includes DUE technology for water saving and TR version.

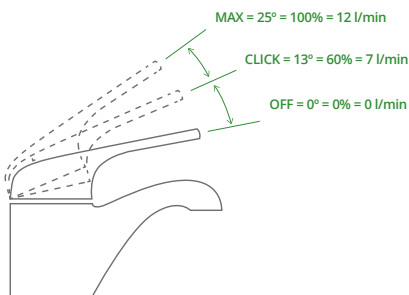
ADVANTAGES

ADDITIONAL FEATURES

SN-40 Thedra Due has the same advantages than SN-40 Thedra, but with due technology as an additional feature.

DUE TECHNOLOGY

Easier control of water flow thanks to Due technology, which presents a slight resistance to indicate that the fitting is using approximately a 50% of its flow. This feature allows **saving up to 54% of daily water consumption.**



FEATURES



SOFT

Up to 40% softer lever operation than standard cartridges thanks to a clutched ceramic operation design.



TEMPERATURE LIMITER

Limit maximum temperature in 7 selectable stops for energy saving and to avoid scalding.



DUE

Water flow optimization thanks to a mid-way stop at 60% of the lever stroke that provides up to 50%.



FLOW LIMITER

Limit maximum water flow for water saving.



ECO

Cartridges identified with an ECO icon offer at least one environmental sustainability feature.

VERSIONS WITH LIMITERS

TEMPERATURE LIMITER FUNCTION (TR)

Thedra cartridge has an optional ring called TR that allows limiting maximum temperature in 7 selectable stops, enabling an anti-scalding safety feature.



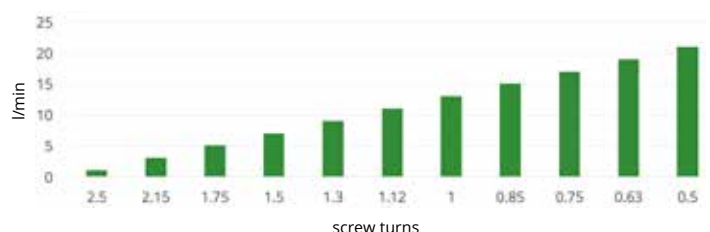
position	15° l/min	65° l/min	°C 3bar
1	16	4	26°
2	12,5	7,5	35°
3	9	11	43°
4	5	15	50°
5	2	18	56°
6	1	19	61°
7	0	20	65°

TEMPERATURE & FLOW LIMITER FUNCTION (TRN)

TRN technology, in addition to limit temperature, allows water saving at the same time thanks to a flow limiter.



The flow can be limited thanks to the screw located in the cartridge lever. By turning the screw, the flow obtained will be reduced, **saving up to 22% of daily water consumption.**



SN-40 C/D

THEDRA DUE

REF. 08SN40L3001



DOWNLOAD
DATA SHEET

SN-40 S/D

THEDRA DUE

REF. 08SN40S3001



DOWNLOAD
DATA SHEET

RECOMMENDED APPLICATIONS



WASHBASINS

Specially designed for washbasins.



BATH-SHOWERS

Specially designed for bath showers.



KITCHENS

Suitable for use in kitchens.

OTHER VERSIONS

Temperature limiter (TR)
Temperature & flow limiter (TRN)

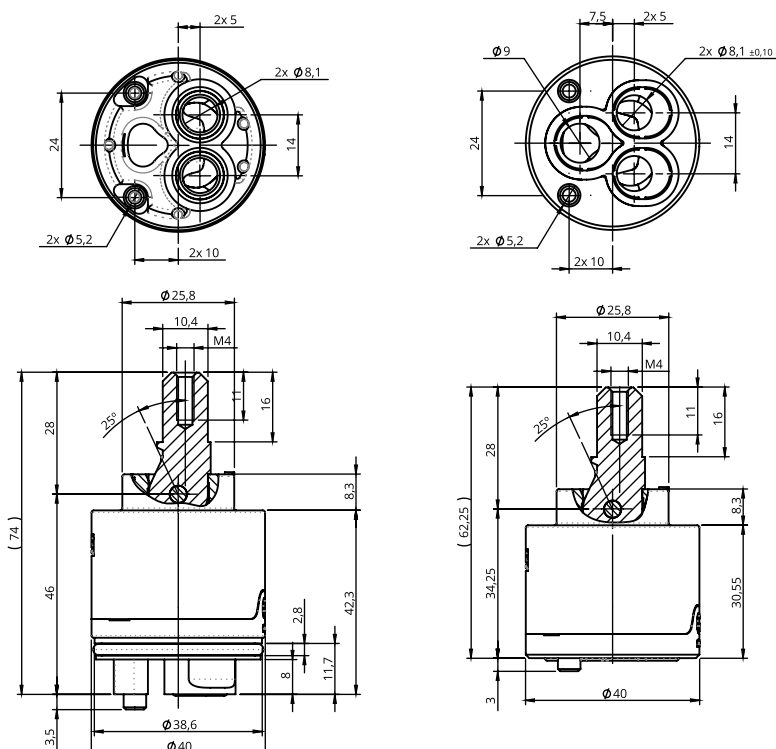
CD

REF.08SN40L3501
on demand

SD

REF. 08SN40S3501
on demand

DIMENSIONS



CERTIFICATIONS



TECHNICAL SPECIFICATIONS

General	C/D	S/D
Nut torque pitch M1.5	10-12Nm	10-12Nm
Opening angle	25°	25°
Rotation angle	100°	100°
Working pressure (recommended)	1 - 5 bar	1 - 5 bar
Burst pressure	>50 bar	>50 bar
Life cycle - EN 817 NF U3	175,000 cycles	175,000 cycles
x2 ASME	1,000,000 cycles	1,000,000 cycles
x2 GB18145	140,000 cycles	140,000 cycles
Sensitivity	>10-12 mm	>10-12 mm
Fidelity	<3°	<3°
Constant 63°C & 50°C (6 l/min - 3 l/min)	<4°C - <6°C	<4°C - <6°C
Max. hot water*	90 °C	90 °C

Operation Torque	C/D	S/D
Open-close	0.20-0.40 Nm	0.20-0.40 Nm
Turn left-right	0.20-0.40 Nm	0.20-0.40 Nm

Noise level	C/D	S/D
Noise level	<20 dB	<20 dB

Flow rate (free flow)	C/D	S/D
at 0.2 bar	8.3 l/min	7.6 l/min
at 1 bar	18.3 l/min	16.6 l/min
at 3 bar	31.5 l/min	28.6 l/min
at 5 bar	40.1 l/min	37 l/min

* Find machining requirements on pages 164-167.

Only applies to officially listed products.
Tested at Sedal's lab with Sedal's standard faucet
*Peak or limited time condition.

SN-40 THEDRA COLD

DESCRIPTION

40mm cartridge with a unique clean and smart design that confers an undeniable ability to withstand the most extreme working conditions and requests: compression, torque, handle load, burst and x2 life cycles, granting smooth but firm user operation thanks to Glide Feel Technology. This cartridge opens in cold position and has TR and TRN versions available.

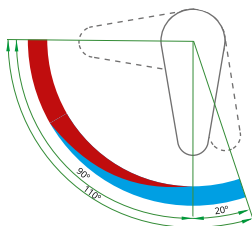
ADVANTAGES

ADDITIONAL FEATURES

SN-40 Thedra Cold has the same advantages than SN-40 Thedra, but with cold technology as an additional feature.

COLD TECHNOLOGY

The lever is in cold position by default, **saving up to 10% from the household energy consumption** related to plumbing products.



FEATURES



SOFT

Up to 40% softer lever operation than standard cartridges thanks to a clutched ceramic operation design.



TEMPERATURE LIMITER

Limit maximum temperature in 7 selectable stops for energy saving and to avoid scalding.



COLD

Energy saving feature thanks to the internal design of the cartridge, flowing cold water when the lever is centered.



FLOW LIMITER

Limit maximum water flow for water saving.



ECO

Cartridges identified with an ECO icon offer at least one environmental sustainability feature.

VERSIONS WITH LIMITERS

TEMPERATURE LIMITER FUNCTION (TR)

Thedra cartridge has an optional ring called TR that allows limiting maximum temperature in 7 selectable stops, enabling an anti-scalding safety feature.



45° TURN



21° TURN

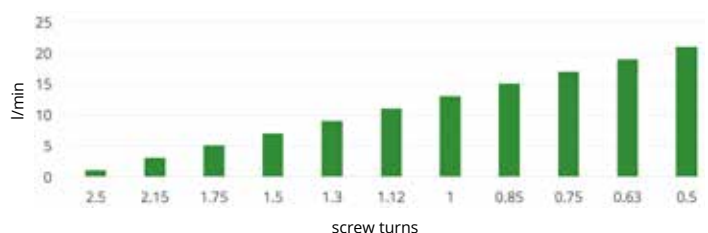
position	15° l/min	65° l/min	°C 3bar
1	16	4	26°
2	12,5	7,5	35°
3	9	11	43°
4	5	15	50°
5	2	18	56°
6	1	19	61°
7	0	20	65°

TEMPERATURE & FLOW LIMITER FUNCTION (TRN)

TRN technology, in addition to limit temperature, allows water saving at the same time thanks to a flow limiter.



The flow can be limited thanks to the screw located in the cartridge lever. By turning the screw, the flow obtained will be reduced, **saving up to 22% of daily water consumption**.



SN-40 C/D

THEDRA COLD

REF. 08SN40L1501



DOWNLOAD DATA SHEET

SN-40 S/D

THEDRA COLD

REF. 08SN40S1501



DOWNLOAD DATA SHEET

RECOMMENDED APPLICATIONS



WASHBASINS

Specially designed for washbasins.



KITCHENS

Suitable for use in kitchens.

OTHER VERSIONS

CD

SD

Temperature limiter (TR)

REF.08SN40L2501

REF.08SN40S2501

Temperature & flow limiter (TRN)

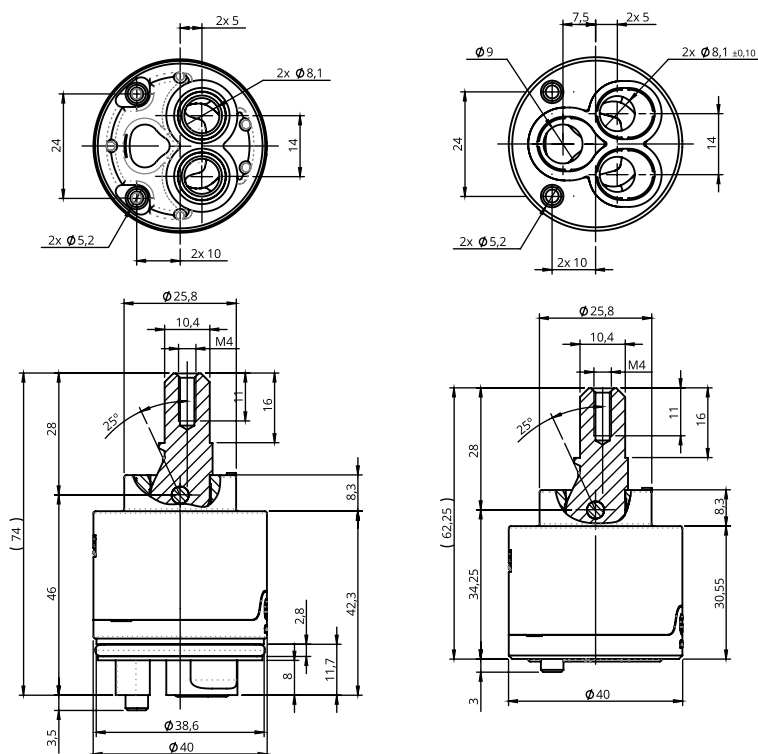
REF. 08SN40L4001

REF.08SN40S4001

CERTIFICATIONS



DIMENSIONS



TECHNICAL SPECIFICATIONS

General	C/D	S/D
Nut torque pitch M1.5	10-12Nm	10-12Nm
Opening angle	25°	25°
Rotation angle	110°	110°
Working pressure (recommended)	1 - 5 bar	1 - 5 bar
Burst pressure	>50 bar	>50 bar
Life cycle - EN 817 NF U3	175,000 cycles	175,000 cycles
x2 ASME	1,000,000 cycles	1,000,000 cycles
x2 GB18145	140,000 cycles	140,000 cycles
Sensitivity	>10-12 mm	>10-12 mm
Fidelity	<3°	<3°
Constant 63°C & 50°C (6 l/min - 3 l/min)	<4°C - <6°C	<4°C - <6°C
Max. hot water*	90 °C	90 °C

Operation Torque	C/D	S/D
Open-close	0.20-0.40 Nm	0.20-0.40 Nm
Turn left-right	0.20-0.40 Nm	0.20-0.40 Nm

Noise level	C/D	S/D
Noise level	<20 dB	<20 dB

Flow rate (free flow)	C/D	S/D
at 0.2 bar	4.4 l/min	4 l/min
at 1 bar	8.1 l/min	7.5 l/min
at 3 bar	14.2 l/min	13.3 l/min
at 5 bar	16.5 l/min	15.4 l/min

FLOW RATE FIGURES AT COLD POSITION

Only applies to officially listed products.
Tested at Sedal's lab with Sedal's standard faucet
*Peak or limited time condition.

* Find machining requirements on pages 164-167.

SN-40 THEDRA

COLD DUE

DESCRIPTION

40mm cartridge with a unique clean and smart design that confers an undeniable ability to withstand the most extreme working conditions and requests: compression, torque, handle load, burst and x2 life cycles, granting smooth but firm user operation thanks to Glide Feel Technology. It also includes SN system, which provides the cartridge with a unique smoothness of operation, TRN technology for temperature and flow control and DUE for water saving. This cartridge opens in cold position.

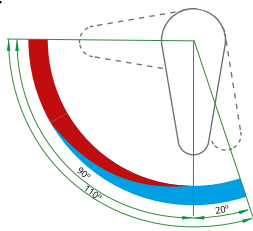
ADVANTAGES

● **ADDITIONAL FEATURES**

SN-40 Thedra C3 has the same advantages than SN-40 Thedra, but with cold and due technologies as additional features.

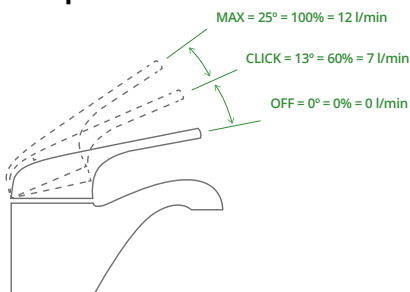
● **COLD TECHNOLOGY**

The lever is in cold position by default, **saving up to 10% from the household energy consumption** related to plumbing products.



● **DUE TECHNOLOGY**

Easier control of water flow thanks to Due technology, which presents a slight resistance to indicate that the fitting is using approximately a 50% of its flow. This feature allows **saving up to 54% of daily water consumption.**



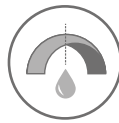
FEATURES



SOFT
Up to 40% softer lever operation than standard cartridges thanks to a clutched ceramic operation design.



FLOW LIMITER
Limit maximum water flow for water saving.



COLD
Energy saving feature thanks to the internal design of the cartridge, flowing cold water when the lever is centered.



TEMPERATURE LIMITER
Limit maximum temperature in 7 selectable stops for energy saving and to avoid scalding.



DUE
Water flow optimization thanks to a mid-way stop at 60% of the lever stroke that provides up to 50% water saving.



ECO
Cartridges identified with an ECO icon offer at least one environmental sustainability feature.

● **VERSIONS WITH LIMITERS**

TEMPERATURE LIMITER FUNCTION (TR)

Thedra cartridge has an optional ring called TR that allows limiting maximum temperature in 7 selectable stops, enabling an anti-scalding safety feature.



position	15° l/min	65° l/min	°C 3bar
1	16	4	26°
2	12,5	7,5	35°
3	9	11	43°
4	5	15	50°
5	2	18	56°
6	1	19	61°
7	0	20	65°

TEMPERATURE & FLOW LIMITER FUNCTION (TRN)

TRN technology, in addition to limit temperature, allows water saving at the same time thanks to a flow limiter.



The flow can be limited thanks to the screw located in the cartridge lever. By turning the screw, the flow obtained will be reduced, **saving up to 22% of daily water consumption.**



SN-40 C/D

THEDRA
COLD DUE

REF. 08SN40L5501



DOWNLOAD
DATA SHEET

SN-40 S/D

THEDRA
COLD DUE

REF. 08SN40S5501

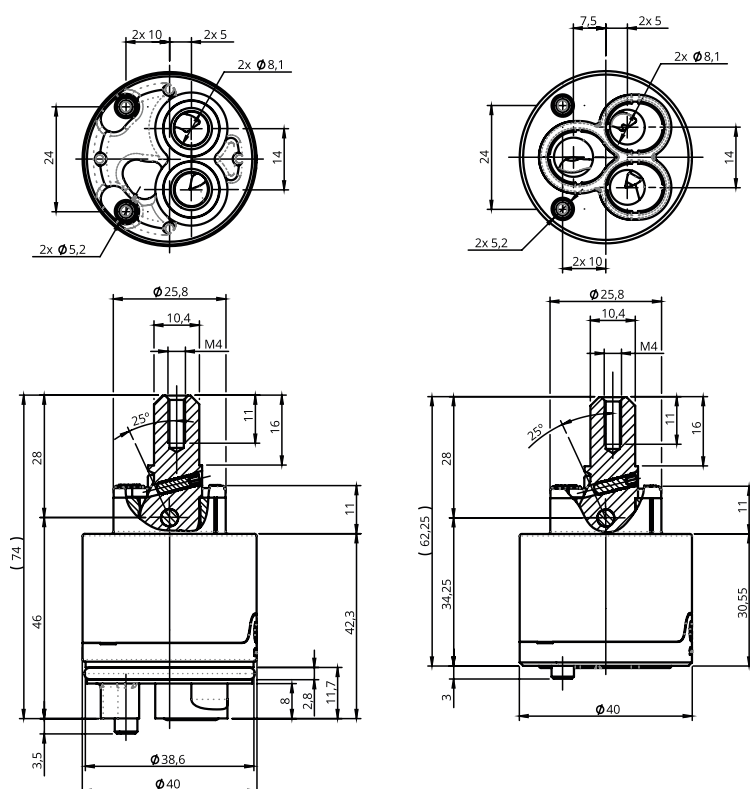


DOWNLOAD
DATA SHEET

OTHER VERSIONS

	CD	SD
Temperature limiter (TR)	REF.08SN40L5001	REF.08SN40S5001
Temperature & flow limiter (TRN)	REF.08SN40L5501	REF.08SN40S5501

DIMENSIONS



RECOMMENDED APPLICATIONS



WASHBASINS

Specially designed for washbasins.



KITCHENS

Suitable for use in kitchens.

CERTIFICATIONS



TECHNICAL SPECIFICATIONS

General	C/D	S/D
Nut torque pitch M1.5	10-12Nm	10-12Nm
Opening angle	25°	25°
Rotation angle	110°	110°
Working pressure (recommended)	1 - 5 bar	1 - 5 bar
Burst pressure	>50 bar	>50 bar
Life cycle - EN 817 NF U3	175,000 cycles	175,000 cycles
x2 ASME	1,000,000 cycles	1,000,000 cycles
x2 GB18145	140,000 cycles	140,000 cycles
Sensitivity	>10-12 mm	>10-12 mm
Fidelity	<3°	<3°
Max. hot water*	90 °C	90 °C

Operation Torque	C/D	S/D
Open-close	0.20-0.40 Nm	0.20-0.40 Nm
Turn left-right	0.20-0.40 Nm	0.20-0.40 Nm

Noise level	C/D	S/D
Noise level	<20 dB	<20 dB

Flow rate (free flow)	C/D	S/D
at 0.3 bar	4.4 l/min	4 l/min
at 1 bar	8.1 l/min	7.5 l/min
at 3 bar	14.2 l/min	13.3 l/min
at 4 bar	16.5 l/min	15.4 l/min

* Find machining requirements on pages 164-167.

Only applies to officially listed products.
Tested at Sedal's lab with Sedal's standard faucet
*Peak or limited time condition.

STANDARD CARTRIDGES

EN-40 C/D

REF.08EN40LAZ00



DOWNLOAD
DATA SHEET

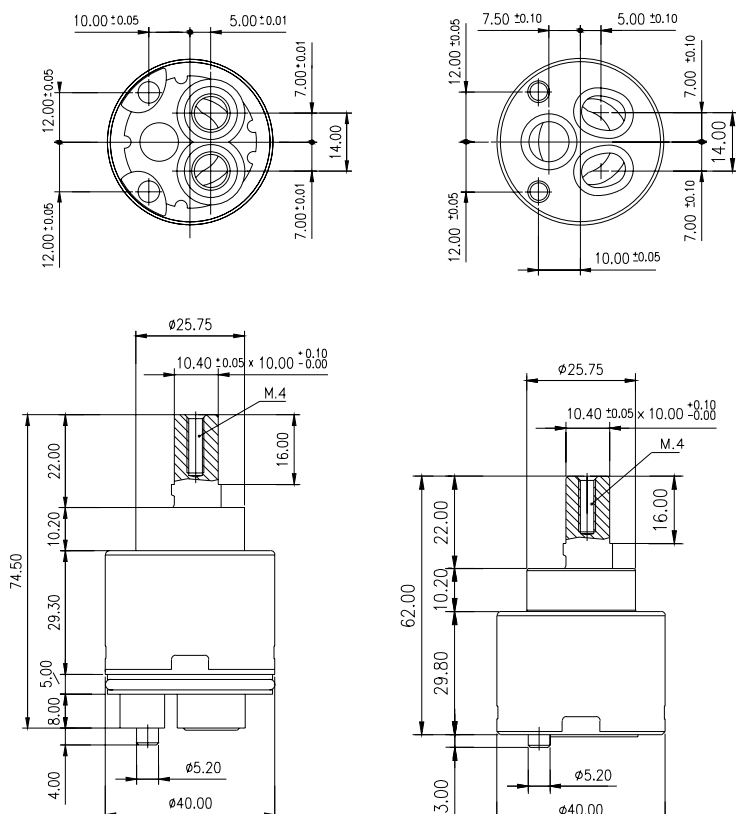
EN-40 S/D

REF.08EN40FAZ00



DOWNLOAD
DATA SHEET

DIMENSIONS



* Find machining requirements on pages 164-167.

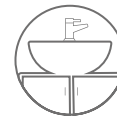
DESCRIPTION

Standard 40 mm cartridge.

ADVANTAGES

Classic standard cartridge of Sedal.

RECOMMENDED APPLICATIONS



WASHBASINS

Specially designed for washbasins.



BATH-SHOWERS

Specially designed for bath showers.



KITCHENS

Suitable for use in kitchens.

CERTIFICATIONS



TECHNICAL SPECIFICATIONS

General	C/D	S/D
Nut torque pitch M1.5	10-12Nm	10-12Nm
Opening angle	25°	25°
Rotation angle	100°	100°
Working pressure (recommended)	1 - 5 bar	1 - 5 bar
Burst pressure	55-65 bar	55-65 bar
Life cycle - EN 817	70,000 cycles	70,000 cycles
ASME 112.18.1 M	500,000 cycles	500,000 cycles
Sensitivity	15-17 mm	16-17 mm
Constant 63°C & 50°C (6 l/min - 3 l/min)	0.5 - 1.7 °C	0.8 - 1.7 °C
Max. hot water*	90 °C	90 °C

Operation Torque	C/D	S/D
Open-close	0.20-0.40 Nm	0.20-0.40 Nm
Turn left-right	0.20-0.40 Nm	0.20-0.40 Nm

Flow rate (free flow)	C/D	S/D
at 0.5 bar	10.6 l/min	10.4 l/min
at 1 bar	15 l/min	14.7 l/min
at 3 bar	26 l/min	25.5 l/min
at 5 bar	33.4 l/min	32.7 l/min

Only applies to officially listed products.

Tested at Sedal's lab with Sedal's standard faucet

*Peak or limited time condition.

E-40 S/D

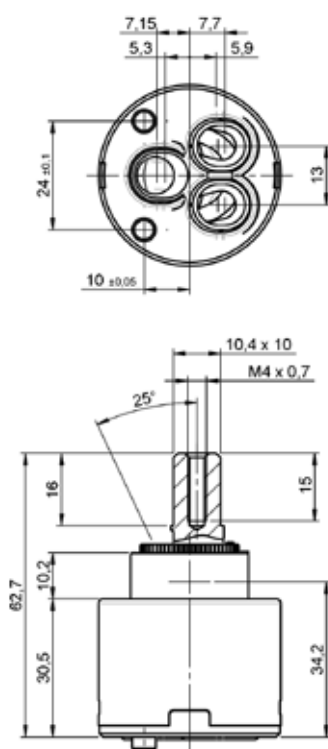
DUE

REF.08E40FAZ30 CT



DOWNLOAD
DATA SHEET

DIMENSIONS



* Find machining requirements on pages 166-169.

DESCRIPTION

Standard 40mm cartridge with DUE technology.

FEATURES



ECO
Environmental sustainability features.



DUE
Water flow optimization thanks to a mid-way stop at 60% of the lever stroke.

ADVANTAGES

The lever is in cold position by default, saving up to 10% from the household energy consumption related to plumbing products.

RECOMMENDED APPLICATIONS



CERTIFICATIONS



TECHNICAL SPECIFICATIONS

General	S/D
Nut torque pitch M1.5	10-12Nm
Opening angle	25°
Rotation angle	100°
Working pressure (recommended)	1 - 5 bar
Burst pressure	≥55 bar
Life cycle - EN 817	175,000 cycles
ASME 112.18.1 M	500,000 cycles
Sensitivity	-
Max. hot water*	90 °C

Operation Torque	S/D
Open-close	0.20 - 0.50 Nm
Turn left-right	0.20 - 0.50 Nm

Flow rate (free flow)	S/D
at 3 bar	21.3l/min

Only applies to officially listed products.
Tested at Sedal's lab with Sedal's standard faucet
*Peak or limited time condition.

STANDARD CARTRIDGES

E-40 C/D C1 NF

REF.08EN40L1002

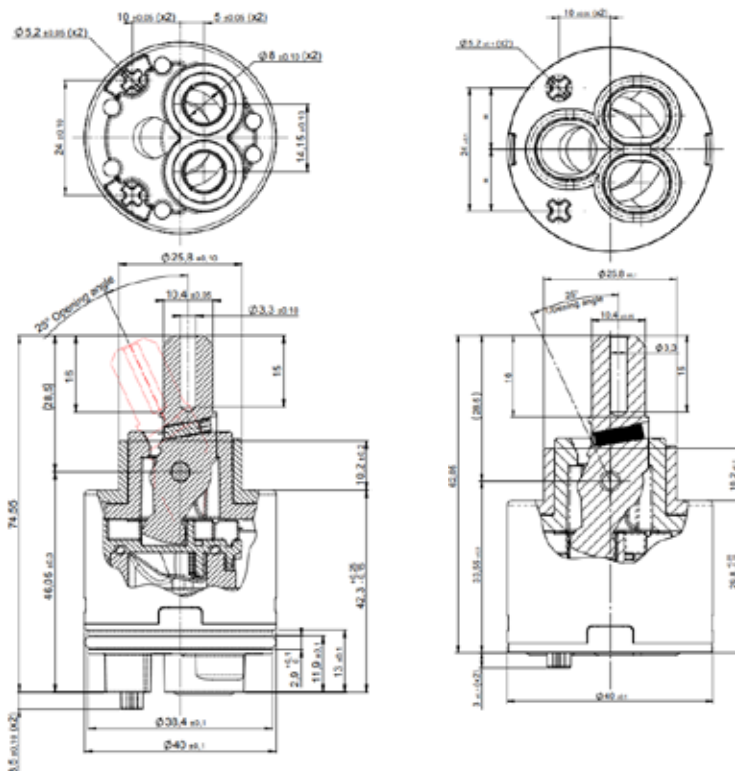


E-40 S/D C1 NF

REF. 08EN40S1002



DIMENSIONS



DESCRIPTION

Standard 40mm cartridge

ADVANTAGES

NF C1 (ECAU) requirements met.

RECOMMENDED APPLICATIONS



CERTIFICATIONS



TECHNICAL SPECIFICATIONS

General	C/D	S/D
Nut torque pitch M1.5	10-12Nm	10-12Nm
Opening angle	25°	25°
Rotation angle	110°	110°
Working pressure (recommended)	1 - 5 bar	1 - 5 bar
Burst pressure	> 50 bar	> 0 bar
Water hammer test	ECAU NF 077	ECAU NF 077
Life cycle - NF-077(U3)	175,000 cycles	175,000 cycles
Sensitivity (r=54mm)	>12mm	>12mm
Max. hot water*	60 - 65 °C	60 - 65 °C

Operation Torque	C/D	S/D
Open-close	0.40-0.50 Nm	0.40-0.50 Nm
Turn left-right	0.40-0.50 Nm	0.40-0.50 Nm

Flow rate (free flow)	C/D	S/D
at 3 bar	27,5 l/min	25.3 l/min

* Find machining requirements on pages 164-167.

Only applies to officially listed products.
Tested at Sedal's lab with Sedal's standard faucet
*Peak or limited time condition.

E-40 C/D C2 NF

REF.08EN40L3005



DOWNLOAD DATA SHEET

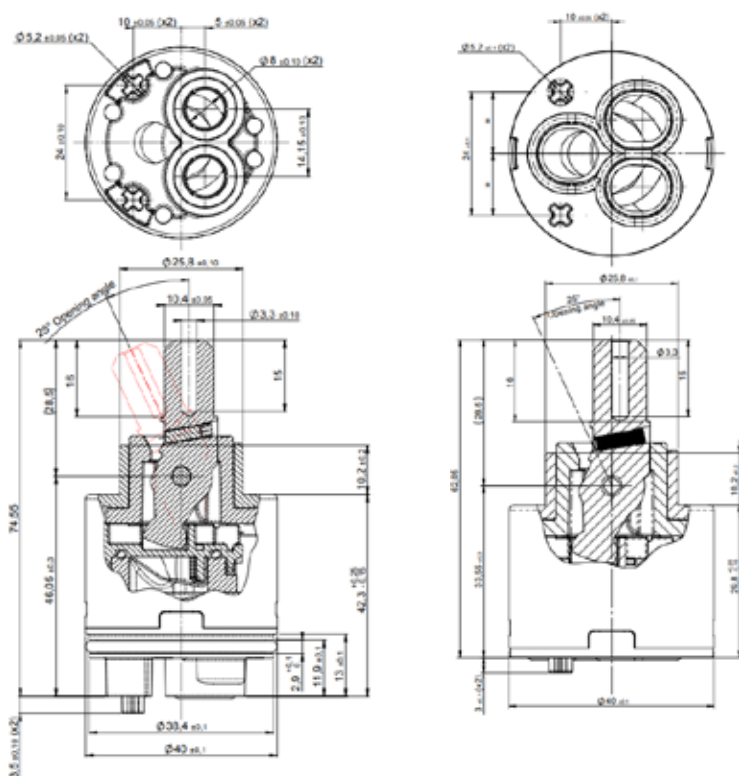
E-40 S/D C2 NF

REF. 08EN40S3005



DOWNLOAD DATA SHEET

DIMENSIONS



* Find machining requirements on pages 166-169.

DESCRIPTION

Standard cartridge with water saving (DVE) technology.

FEATURES



ECO
Environmental sustainability features.



DUE
Water flow optimization thanks to a mid-way stop at 60% of the lever stroke.

ADVANTAGES

NF C2 (ECAU) Requeriments are met

RECOMMENDED APPLICATIONS



CERTIFICATIONS



TECHNICAL SPECIFICATIONS

General	C/D	S/D
Nut torque pitch M1.5	10-12Nm	10-12Nm
Opening angle	25°	25°
Rotation angle	110°	110°
Working pressure (recommended)	1 - 5 bar	1 - 5 bar
Burst pressure	> 50 bar	> 0 bar
Water hammer test	ECAU NF 077	ECAU NF 077
Life cycle - NF-077(U3)	175,000 cycles	175,000 cycles
Sensitivity (r=54mm)	>12mm	>12mm
Max. hot water*	60 - 65 °C	60 - 65 °C

Operation Torque	C/D	S/D
Open-close	0.40-0.50 Nm	0.40-0.50 Nm
Turn left-right	0.40-0.50 Nm	0.40-0.50 Nm

Flow rate (free flow)	C/D	S/D
at 3 bar	27,5 l/min	25.3 l/min

Only applies to officially listed products.
Tested at Sedal's lab with Sedal's standard faucet
*Peak or limited time condition.

STANDARD

EN-40 COLD DUE

DESCRIPTION

Standard 40mm cartridge meeting NF C3 (ECAU) Requeriments

FEATURES



ECO
Cartridges identified with an ECO icon offer at least one environmental sustainability feature.



DUE
Water flow optimization thanks to a mid-way stop at 60% of the lever stroke that provides up to 50% water saving.

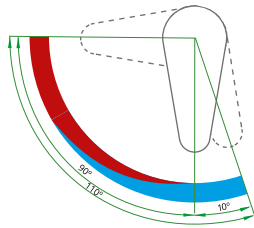


COLD
Energy saving feature thanks to the internal design of the cartridge, flowing cold water when the lever is centered.

ADVANTAGES

● **COLD TECHNOLOGY**

The lever is in cold position by default, saving up to 10% from the household energy consumption related to plumbing products.

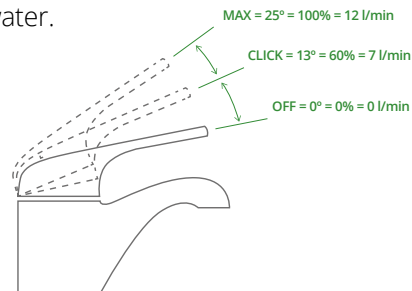


HOUSEHOLD ENERGY CONSUMPTION RELATED TO CARTRIDGES IN %

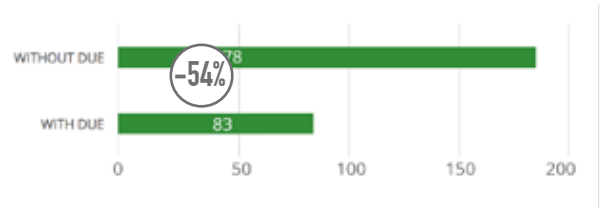


● **DUE TECHNOLOGY**

Easier control of water flow thanks to Due technology, which presents a slight resistance to indicate that the fitting is using approximately a 50% of its flow. This feature allows saving water.



DAILY AVERAGE WATER CONSUMPTION PER PERSON - FAUCETS & SHOWERS - IN LITERS



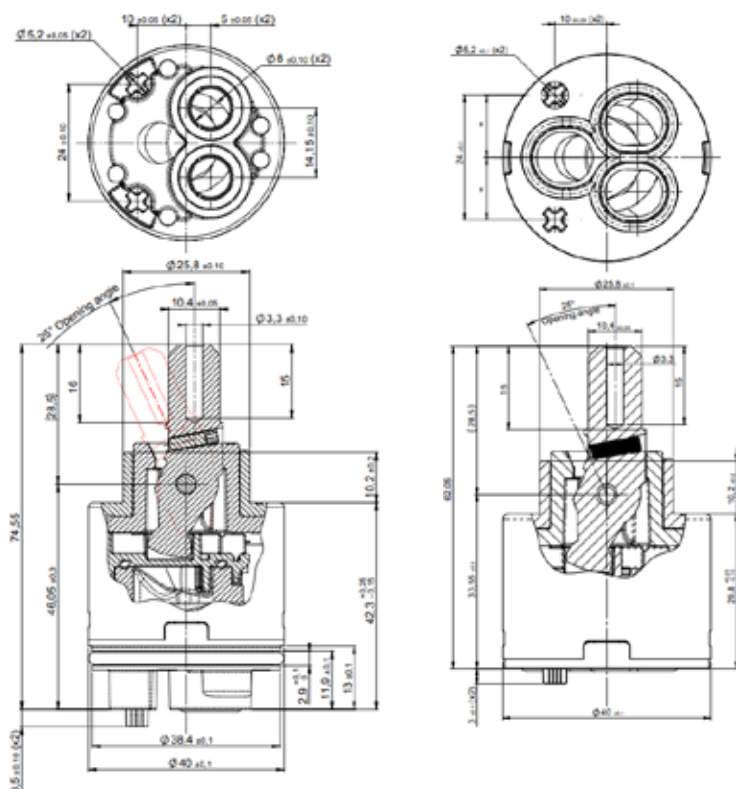
EN-40 C/D
 EC-40 COLD DUE
 REF.08EC40L3003



EN-40 S/D
 EC-40 COLD DUE
 REF. 08EC40S3003



DIMENSIONS



* Find machining requirements on pages 164-167.

RECOMMENDED APPLICATIONS



WASHBASINS
 Specially designed for washbasins.



KITCHENS
 Suitable for use in kitchens.

CERTIFICATIONS



TECHNICAL SPECIFICATIONS

General	C/D	S/D
Nut torque pitch M1.5	10-12Nm	10-12Nm
Opening angle	25°	25°
Rotation angle	100°	100°
Working pressure (recommended)	1 - 5 bar	1 - 5 bar
Burst pressure	>30 bar	>30 bar
Life cycle NF-077 (U3)	175,000 cycles	175,000 cycles
Sensitivity (r=45 mm)	>10 mm	>10 mm
Fidelity	<5°	<5°
Max. hot water*	60-65 °C	60-65 °C

Operation Torque	C/D	S/D
Open-close	0.40-0.50 Nm	0.40-0.50 Nm
Turn left-right	0.40-0.50 Nm	0.40-0.50 Nm

Flow rate (free flow)	C/D	S/D
at 0,5 bar	4,7 l/min	4,3 l/min
at 1 bar	6,6 l/min	6,3 l/min
at 3 bar	11,8 l/min	11,4 l/min
at 5 bar	15 l/min	14,7 l/min

FLOW FIGURES AT COLD POSITION

Only applies to officially listed products.
 Tested at Sedal's lab with Sedal's standard faucet
 *Peak or limited time condition.

STANDARD

EN-40 COLD MIRROR DUE

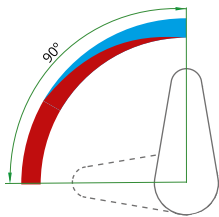
DESCRIPTION

Standard 40mm cartridge with C3 technology and mirror base to make it easier to fit in Kitchens, avoiding the handle touching the wall.

ADVANTAGES

● *COLD TECHNOLOGY*

The lever is in cold position by default, saving up to 10% from the household energy consumption related to plumbing products.



● *SPECIALLY DESIGNED FOR KITCHEN APPLICATIONS*

Mirror version has been specifically designed for kitchen applications, avoiding the inconvenience of the handle touching the wall.

FEATURES



ECO

Cartridges identified with an ECO icon offer at least one environmental sustainability feature.



DUE

Water flow optimization thanks to a mid-way stop at 60% of the lever stroke that provides up to 50% water saving.



COLD

Energy saving feature thanks to the internal design of the cartridge, flowing cold water when the lever is centered.

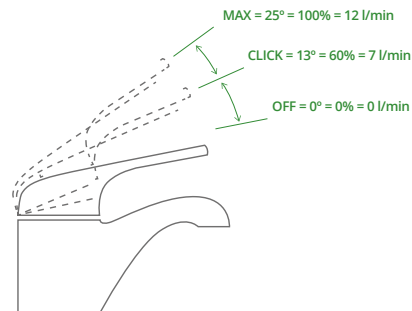


MIRROR

Movement from right to left to obtain hot water.

● *DUE TECHNOLOGY*

Easier control of water flow thanks to Due technology, which presents a slight resistance to indicate that the fitting is using approximately a 50% of its flow. This feature allows saving water.



EN-40 C/D

EC-40 COLD
MIRROR DUE

REF.08EC40L2001



EN-40 S/D

EC-40 COLD
MIRROR DUE

REF. 08EC40S2001



RECOMMENDED APPLICATIONS



WASHBASINS

Suitable for vertical configuration washbasins



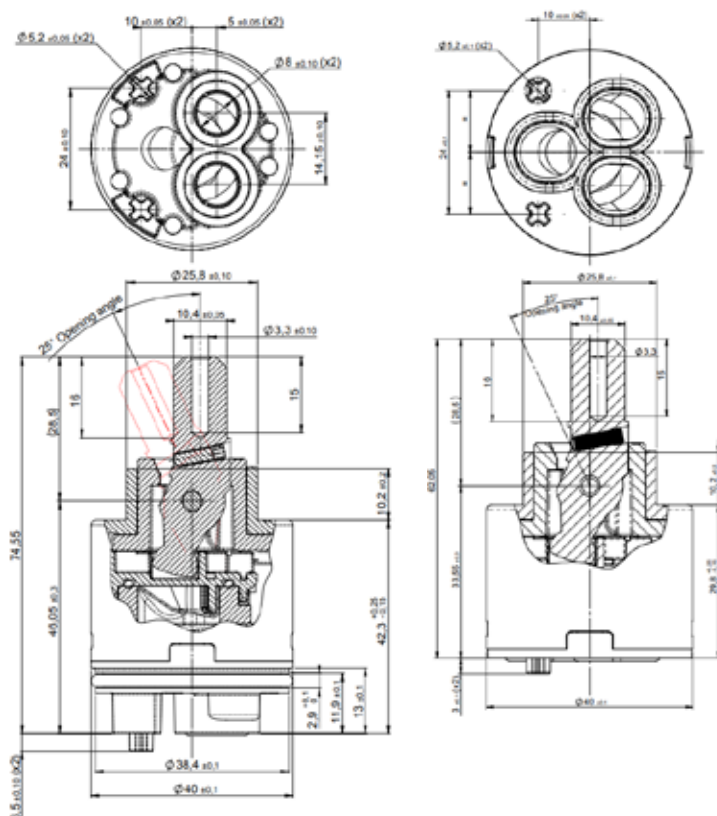
KITCHENS

Suitable for use in kitchens.

CERTIFICATIONS



DIMENSIONS



* Find machining requirements on pages 164-167.

TECHNICAL SPECIFICATIONS

General	C/D	S/D
Nut torque pitch M1.5	10-12Nm	10-12Nm
Opening angle	23°	23°
Rotation angle	110°	110°
Working pressure (recommended)	1 - 5 bar	1 - 5 bar
Burst pressure	>50 bar	>50 bar
Life cycle - EN 817 NF U3	175,000 cycles	175,000 cycles
x2 ASME	1,000,000 cycles	1,000,000 cycles
x2 GB18145	140,000 cycles	140,000 cycles
Sensitivity	>12° angle	>12° angle
Fidelity	<2°C	<3°C
Max. hot water*	90 °C	90 °C

Operation Torque	C/D	S/D
Open-close	0.20-0.50 Nm	0.20-0.50 Nm
Turn left-right	0.20-0.50 Nm	0.20-0.50 Nm

Flow rate (free flow)	C/D	S/D
at 0.5 bar	8.4 l/min	7.6 l/min
at 1 bar	12 l/min	11 l/min
at 3 bar	20.8 l/min	20 l/min
at 5 bar	27 l/min	26.2 l/min

Only applies to officially listed products.
Tested at Sedal's lab with Sedal's standard faucet
*Peak or limited time condition.

STANDARD CARTRIDGES

SN-40 C/D

REF.08SN40LAZ00

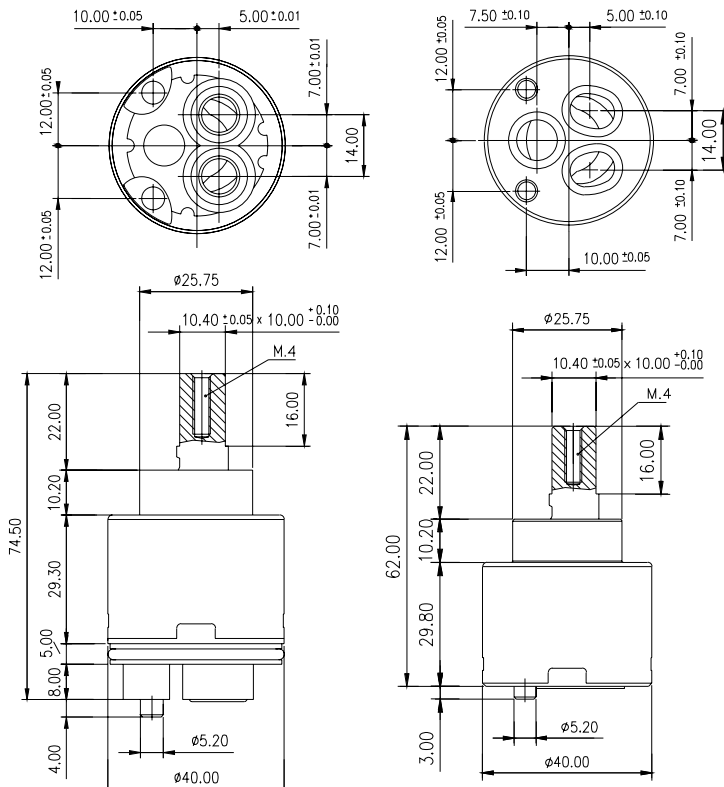


SN-40 S/D

REF.08SN40SAZ00



DIMENSIONS



* Find machining requirements on pages 164-167.

DESCRIPTION

40 mm cartridge.

ADVANTAGES

The classic standard cartridge with SN technology. Ceramics discs do not move in close position providing a unique smoothness of operation and higher durability (up to 20% longer life).

RECOMMENDED APPLICATIONS



CERTIFICATIONS



TECHNICAL SPECIFICATIONS

General	CD	S/D
Nut torque pitch M1.5	10-12Nm	10-12Nm
Opening angle	25°	25°
Rotation angle	90°	90°
Working pressure (recommended)	1 - 5 bar	1 - 5 bar
Burst pressure	72 bar	68-77 bar
Life cycle - EN 817	70,000 cycles	70,000 cycles
Sensitivity	10°-12° angle	13°-15° angle
Fidelity	-	4.5 °C
Max. hot water	90 °C	90 °C

Operation Torque	C/D	S/D
Open-close	0.20-0.40 Nm	0.20-0.40 Nm
Turn left-right	0.20-0.40 Nm	0.20-0.40 Nm

Flow rate (free flow)	C/D	S/D
at 0.5 bar	11 l/min	11.1 l/min
at 1 bar	15.4 l/min	15.5 l/min
at 3 bar	26.4 l/min	26.8 l/min
at 5 bar	34.3 l/min	34.2 l/min

Only applies to officially listed products.
Tested at Sedal's lab with Sedal's standard faucet
*Peak or limited time condition.

TRN-40 C/D

REF.08RN40LVE00



DOWNLOAD DATA SHEET

TRN-40 S/D

REF.08RN40FVE00



DOWNLOAD DATA SHEET

DESCRIPTION

40 mm cartridge.

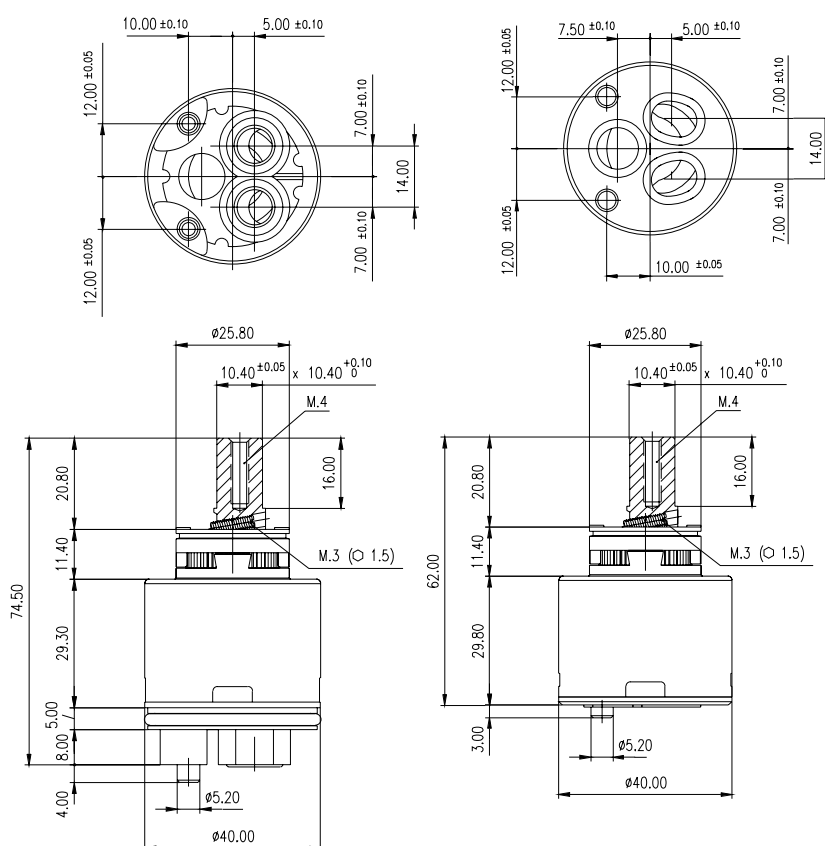
ADVANTAGES

Sedal standard cartridge includes flow and temperature limiters to save water and energy, offering an environmental sustainability feature.

RECOMMENDED APPLICATIONS



DIMENSIONS



* Find machining requirements on pages 166-169.

CERTIFICATIONS



TECHNICAL SPECIFICATIONS

General	C/D	S/D
Nut torque pitch M1.5	10-12Nm	10-12Nm
Opening angle	25°	25°
Rotation angle	100°	100°
Working pressure (recommended)	1 - 5 bar	1 - 5 bar
Burst pressure	60-72 bar	55-65 bar
Life cycle - EN 817	70,000 cycles	70,000 cycles
Sensitivity	8°-10° angle	9.6°-9.7° angle
Fidelity	3°C	-
Max. hot water	90 °C	90 °C

Operation Torque	C/D	S/D
Open-close	0.35-0.40 Nm	0.35-0.40 Nm
Turn left-right	0.35-0.40 Nm	0.35-0.40 Nm

Flow rate (free flow)	CD	SD
at 0.5 bar	10.4 l/min	10.2 l/min
at 1 bar	14.5 l/min	14.5 l/min
at 3 bar	25.4 l/min	25 l/min
at 5 bar	32.8 l/min	32.2 l/min

Only applies to officially listed products.
Tested at Sedal's lab with Sedal's standard faucet
*Peak or limited time condition.

BASIC CARTRIDGES

DESCRIPTION

40mm basic cartridge with ACS certification and available with and without distributor. This Sedal valve is specially designed for washbasins, bath-showers and kitchen faucets.

ADVANTAGES

Entry-level product with Sedal high-reliability.

DN-40 C/D

BG BASIC

REF. 08DN40LBG01



DOWNLOAD
DATA SHEET

DN-40 S/D

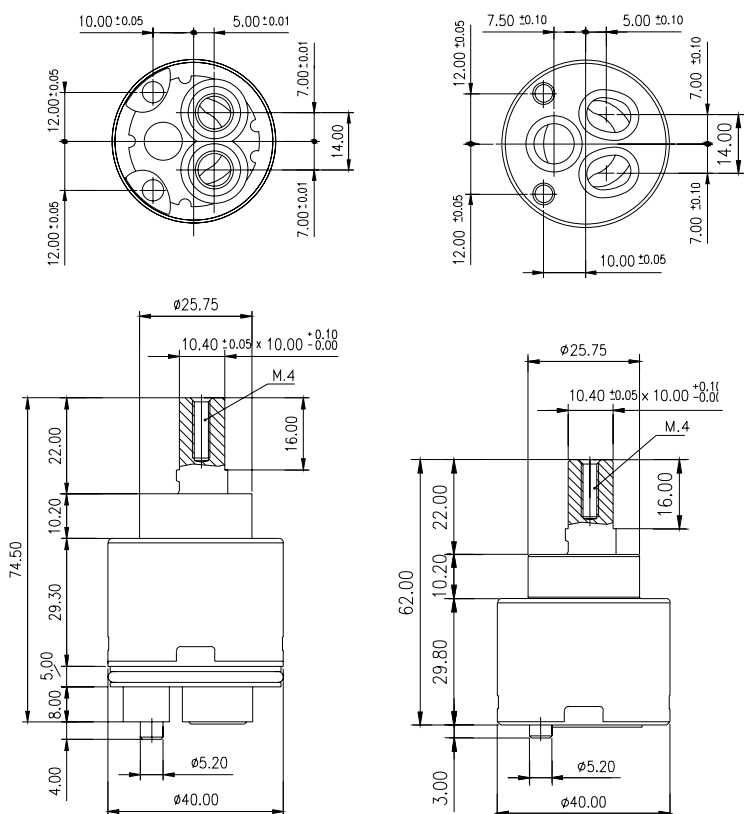
BG BASIC

REF. 08DN40FBG01



DOWNLOAD
DATA SHEET

DIMENSIONS



* Find machining requirements on pages 164-167.

RECOMMENDED APPLICATIONS



WASHBASINS

Specially designed for washbasins.



BATH-SHOWERS

Specially designed for bath showers.



KITCHENS

Suitable for use in kitchens.

CERTIFICATIONS

ACS

TECHNICAL SPECIFICATIONS

General	C/D	S/D
Nut torque pitch M1.5	10-12Nm	10-12Nm
Opening angle	25°	25°
Rotation angle	90°	90°
Working pressure (recommended)	1 - 5 bar	1 - 5 bar
Burst pressure	35 bar	35 bar
Life cycle - EN 817	70,000 cycles	70,000 cycles
ASME 118.12.1 M	500,000 cycles	500,000 cycles
Sensitivity	15°-17° angle	16°-17° angle
Constant 63 °C & 50 °C (6 l/min - 3 l/min)	<0.5°C - <1.7°C	<0.8°C - <1.7°C
Max. hot water*	90 °C	90 °C

Operation Torque	C/D	S/D
Open-close	0.35-0.40 Nm	0.35-0.40 Nm
Turn left-right	0.35-0.40 Nm	0.35-0.40 Nm

Flow rate (free flow)	C/D	S/D
at 0.5 bar	10.6 l/min	10.4 l/min
at 1 bar	15 l/min	14.7 l/min
at 3 bar	26 l/min	25.5 l/min
at 5 bar	33.4 l/min	32.7 l/min

Only applies to officially listed products.
Tested at Sedal's lab with Sedal's standard faucet
*Peak or limited time condition.

SN-40 CARTRIDGES

DESCRIPTION

Ecoflow cartridges have been designed for applications where a low flow is required to fulfill the latest standards and market trends. The low flow that a manufacturer would normally reach with the use of restrictors, can be reached by using the Ecoflow cartridge with an aireator, suppressing the negative effects of the current solutions. The Ecoflow 40 is specifically designed to deliver 7.7 liters @3 bar without using restrictors. It also includes a clutch for a perfect operational feel and a high maximum torque resistance to withstand harsh environments.

ADVANTAGES

- **SN TECHNOLOGY**
Ceramics discs do not move in close position providing a unique smoothness of operation and higher durability (up to 20% longer life)
- **IMPROVED FLOW-RATE VS HANDLE STROKE**
Existing solutions offer a very limited opening stroke to regulate the flow. With ECOFLOW, the entire stroke is available.



FEATURES



ECO
Cartridges identified with an ECO icon offer at least one environmental sustainability feature.



SOFT
Up to 40% softer lever operation than standard cartridges thanks to a clutched ceramic operation design.

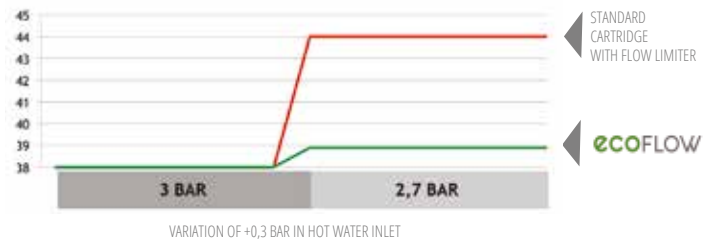


REGULATIONS
This cartridge is optimized according to WaterSense and Water Label requirements.



RESTRICTOR
The cartridge includes itself a restrictor that reduces the flow rate to save water.

- **REDUCES TEMPERATURE FLUCTUATION**
When using a flow limiter in the spout combined with standard cartridges, the user can experience strong changes in water temperature. The new ECOFLOW Tech valves provide an excellent temperature stability in front of pressure variations in cold and hot water supply lines at low flow rates.



- **THE USAGE OF A RESTRICTOR IS OPTIONAL**
The flow rate reduction is carried out at the right place. With ECOFLOW the usage of a limiter or restrictor is optional.

SN-40 C/D

ECOFLOW

REF.08SN40L0003



SN-40 S/D

ECOFLOW

REF.08SN40S0004



RECOMMENDED APPLICATIONS



WASHBASINS

Specially designed for washbasins.



BATH-SHOWERS

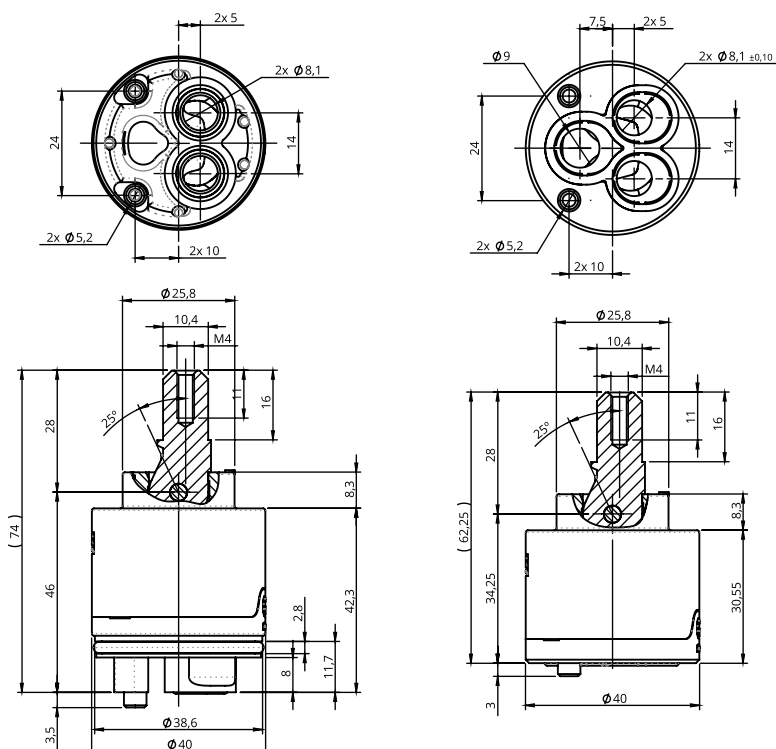
Specially designed for bath showers.



KITCHENS

Suitable for use in kitchens.

DIMENSIONS



CERTIFICATIONS



* Optimised for WaterSense and WaterLabel

TECHNICAL SPECIFICATIONS

General	C/D	S/D
Nut torque pitch M1.5	10-12Nm	10-12Nm
Opening angle	25°	25°
Rotation angle	100°	100°
Working pressure (recommended)	1 - 5 bar	1 - 5 bar
Burst pressure	>70-80 bar	>60-70 bar
Life cycle - EN 817	70,000 cycles	70,000 cycles
ASME 112.18.1 M	500,000 cycles	500,000 cycles
Sensitivity	>11-13 mm	>11-13 mm
Fidelity	<3°	<3°
Constant 63 °C & 50 °C (6 l/min - 3 l/min)	<4°C - <6°C	<4°C - <6°C
Max. hot water*	90 °C	90 °C

Operation Torque	C/D	S/D
Open-close	0.20-0.40 Nm	0.20-0.40 Nm
Turn left-right	0.20-0.40 Nm	0.20-0.40 Nm

Flow rate (free flow)	C/D	S/D
at 0.1 bar	1.5 l/min	1.5 l/min
at 1 bar	4.5 l/min	4.5 l/min
at 3 bar	7.7 l/min	7.7 l/min
at 5 bar	9.6 l/min	9.6 l/min

* Find machining requirements on pages 164-167.

Only applies to officially listed products.
Tested at Sedal's lab with Sedal's standard faucet
*Peak or limited time condition.

HIGH FLOW

GC-40 THEDRA

DESCRIPTION

40mm high flow cartridge with a unique clean and smart design that confers an undeniable ability to withstand the most extreme working conditions and requests: compression, torque, handle load, burst and x2 life cycles, granting smooth but firm user operation thanks to Glide Feel Technology.

ADVANTAGES

- **SN TECHNOLOGY**
Ceramics discs do not move in close position providing a unique smoothness of operation and higher durability (up to 20% longer life).
- **CHALLENGE, TECHNOLOGY**
Careful design, ceramic expertise, several smart technologies, high performance materials and extraordinarily precise components are used to build the new THEDRA cartridges.
- **GREAT RANGE. GREATER POSSIBILITIES**
THEDRA valve range provides more than 20 different combinations for the manufacturers to develop their products.
- **OUT OF SOLID ROCK**
THEDRA is designed according to the roughest manufacturer's technical requests.
- **ENJOY THE SILENCE**
THEDRA is NF Class I compliant, featuring Sedal's Noise Cancelling Technology.
- **DOUBLE LIFE-CYCLE**
The new THEDRA cartridge has 2 times ASME life cycles thanks to SedalOX™ 96.
- **UNEQUAL DESIGN, UNEQUAL RESULTS**
THEDRA was granted with reddot award in 2016.

FEATURES



ECO
Cartridges identified with an ECO icon offer at least one environmental sustainability feature.



TEMPERATURE LIMITER
Limit maximum temperature in 7 selectable stops for energy saving and to avoid scalding.



SOFT
Up to 40% softer lever operation than standard cartridges thanks to a clutched ceramic operation design.



FLOW LIMITER
Limit maximum water flow for water saving.

● VERSIONS WITH LIMITERS

TEMPERATURE LIMITER FUNCTION (TR)

GC-40 Thedra cartridge has an optional ring called TR that allows limiting maximum temperature in 7 selectable stops, enabling an anti-scalding safety feature.



45° TURN



21° TURN

position	15° l/min	65° l/min	°C 3bar
1	16	4	26°
2	12,5	7,5	35°
3	9	11	43°
4	5	15	50°
5	2	18	56°
6	1	19	61°
7	0	20	65°

TEMPERATURE & FLOW LIMITER FUNCTION (TRN)

TRN technology, in addition to limit temperature, allows water saving at the same time thanks to a flow limiter.



The flow can be limited thanks to the screw located in the cartridge lever. By turning the screw, the flow obtained will be reduced, **saving up to 22% of daily water consumption.**



GC-40 C/D

THEDRA

REF. 08GC40L0001



DOWNLOAD
DATA SHEET

GC-40 S/D

THEDRA

REF. 08GC40S0001



DOWNLOAD
DATA SHEET

RECOMMENDED APPLICATIONS



WASHBASINS

Specially designed for washbasins.



BATH-SHOWERS

Specially designed for bath showers.



KITCHENS

Suitable for use in kitchens.

OTHER VERSIONS

CD

SD

Temperature limiter (TR)

REF.08GC40L0501

REF.08GC40S0501

Temperature & flow limiter (TRN)

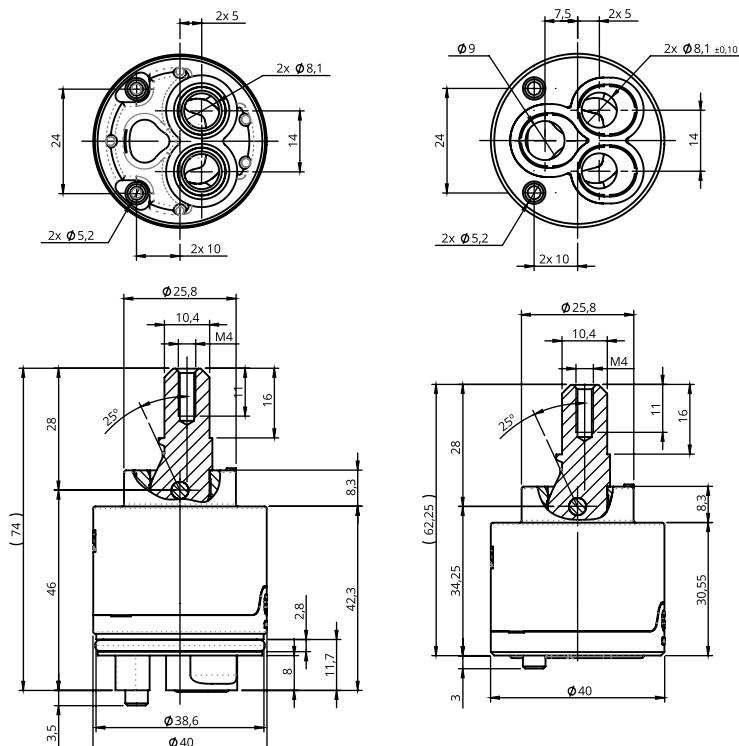
REF.08GC40L4501

REF. 08GC40S4501

CERTIFICATIONS



DIMENSIONS



TECHNICAL SPECIFICATIONS

General	C/D	S/D
Nut torque pitch M1.5	10-12Nm	10-12Nm
Opening angle	25°	25°
Rotation angle	100°	100°
Working pressure (recommended)	1 - 5 bar	1 - 5 bar
Burst pressure	>50 bar	>50 bar
Life cycle - EN 817 NF U3	175,000 cycles	175,000 cycles
x2 ASME	1,000,000 cycles	1,000,000 cycles
x2 GB18145	140,000 cycles	140,000 cycles
Sensitivity	10-13° angle	10-13° angle
Max. hot water*	90 °C	90 °C

Operation Torque	C/D	S/D
Open-close	0.20-0.40 Nm	0.20-0.40 Nm
Turn left-right	0.20-0.40 Nm	0.20-0.40 Nm

Flow rate (free flow)	C/D	S/D
at 0.2 bar	8.9 l/min	8.1 l/min
at 1 bar	20 l/min	17.4 l/min
at 3 bar	34.4 l/min	30.4 l/min
at 5 bar	42.8 l/min	39.2 l/min

* Find machining requirements on pages 164-167.

Only applies to officially listed products.
Tested at Sedal's lab with Sedal's standard faucet
*Peak or limited time condition.

HIGH FLOW

GC-40 THEDRA DUE

DESCRIPTION

40mm cartridge with a unique clean and smart design that confers an undeniable ability to withstand the most extreme working conditions and requests: compression, torque, handle load, burst and x2 life cycles, granting smooth but firm user operation thanks to Glide Feel Technology. It includes DUE technology for water saving and TR version.

ADVANTAGES

● ADDITIONAL FEATURES

GC-40 Thedra Due has the same advantages than GC-40 Thedra, but with due technology as an additional feature.

FEATURES



ECO

Cartridges identified with an ECO icon offer at least one environmental sustainability feature.



DUE

Water flow optimization thanks to a mid-way stop at 60% of the lever stroke that provides up to 50% water saving.

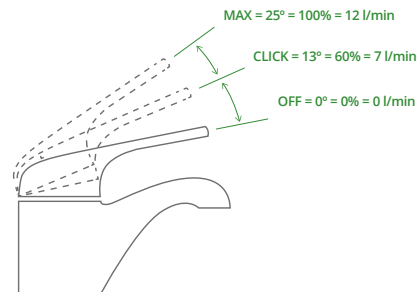


SOFT

Up to 40% softer lever operation than standard cartridges thanks to a clutched ceramic operation design.

● DUE TECHNOLOGY

Easier control of water flow thanks to Due technology, which presents a slight resistance to indicate that the fitting is using approximately a 50% of its flow. This feature allows **saving up to 54% of daily water consumption.**



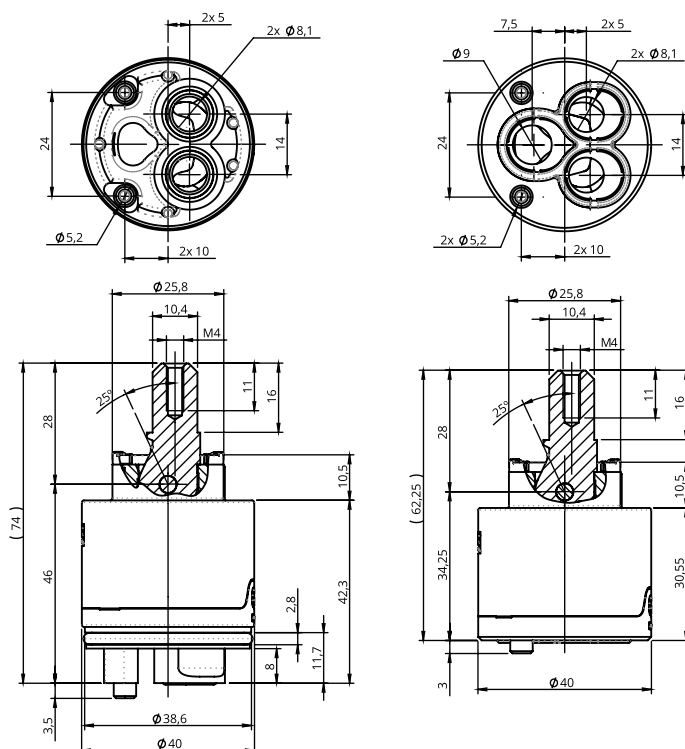
GC-40 C/D
THEDRA DUE
 REF. on demand



GC-40 S/D
THEDRA DUE
 REF. on demand



DIMENSIONS



* Find machining requirements on pages 164-167.

RECOMMENDED APPLICATIONS



WASHBASINS
 Specially designed for washbasins.



BATH-SHOWERS
 Specially designed for bath showers.



KITCHENS
 Suitable for use in kitchens.

CERTIFICATIONS



TECHNICAL SPECIFICATIONS

General	C/D	S/D
Nut torque pitch M1.5	10-12Nm	10-12Nm
Opening angle	25°	25°
Rotation angle	100°	100°
Working pressure (recommended)	1 - 5 bar	1 - 5 bar
Burst pressure	60-70 bar	60-70 bar
Life cycle - EN 817 NF U3	175,000 cycles	175,000 cycles
x2 ASME	1,000,000 cycles	1,000,000 cycles
x2 GB18145	140,000 cycles	140,000 cycles
Sensitivity	10-13° angle	10-13° angle
Max. hot water*	90 °C	90 °C

Operation Torque	C/D	S/D
Open-close	0.20-0.40 Nm	0.20-0.40 Nm
Turn left-right	0.20-0.40 Nm	0.20-0.40 Nm

Flow rate (free flow)	C/D	S/D
at 0.2 bar	8.9 l/min	8.1 l/min
at 1 bar	20 l/min	17.4 l/min
at 3 bar	34.4 l/min	30.4 l/min
at 5 bar	42.8 l/min	39.2 l/min

Only applies to officially listed products.
 Tested at Sedal's lab with Sedal's standard faucet
 *Peak or limited time condition.

HIGH FLOW

GC-45

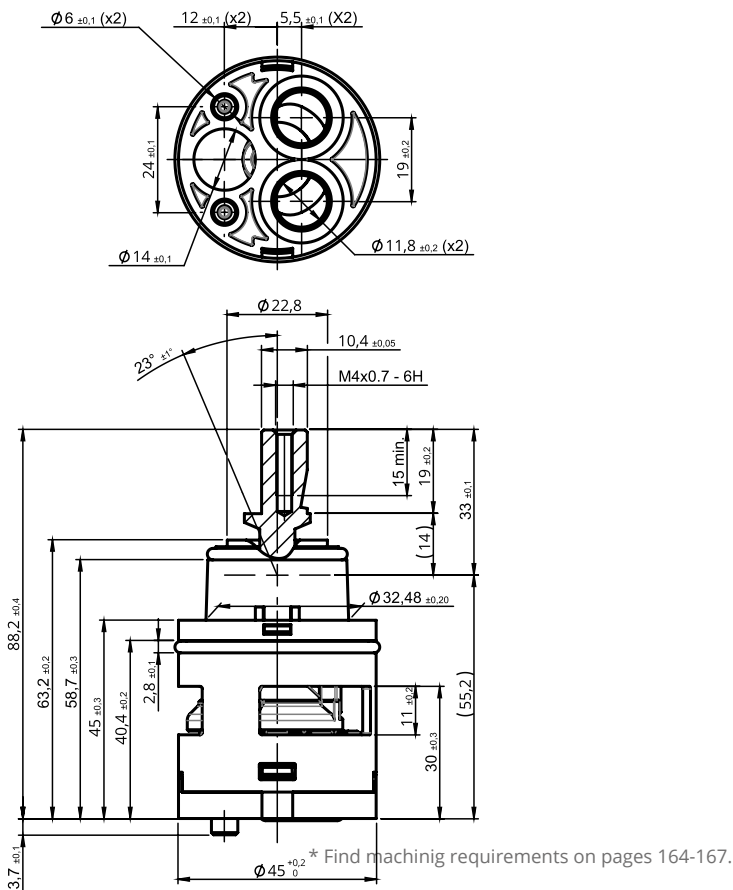
GC-45 S/D

REF. 08GC45FBE00



DOWNLOAD
DATA SHEET

DIMENSIONS



DESCRIPTION

45mm high flow cartridge.

FEATURES



SOFT

Up to 40% softer lever operation than standard cartridges thanks to a clutched ceramic operation design.

ADVANTAGES

MAXIMUM FLOW RATE

This cartridges ensure maximum flow rate even at low pressure applications.

RECOMMENDED APPLICATIONS



CERTIFICATIONS



TECHNICAL SPECIFICATIONS

General	S/D
Nut torque pitch M1.5	10-12Nm
Opening angle	23°
Rotation angle	100°
Working pressure (recommended)	1 - 5 bar
Burst pressure	>35 bar
Life cycle - EN 817	70,000 cycles
x2 ASME 112.18.1 M	500,000 cycles
Max. hot water*	90 °C

Operation Torque	S/D
Open-close	0.25-0.35 Nm
Turn left-right	0.40-0.50 Nm

Flow rate (free flow)	S/D
at 0.5 bar	18 l/min
at 1 bar	24.8 l/min
at 3 bar	43.2 l/min
at 5 bar	55.3 l/min

Only applies to officially listed products.
Tested at Sedal's lab with Sedal's standard faucet
*Peak or limited time condition.

REVOLVING

GI-40

DESCRIPTION

Revolving cartridges include a turning lever in order to mix water and provide better control of the flow rate.

FEATURES



ECO

Cartridges identified with an ECO icon offer at least one environmental sustainability feature.



TEMPERATURE LIMITER

Limit maximum temperature in 7 selectable stops for energy saving and to avoid scalding.



REVOLVING

This cartridge has a turning lever from 0° to 180°.



COLD

Energy saving feature thanks to the internal design of the cartridge, flowing cold water when the lever is centered.



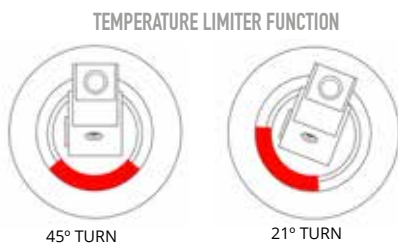
METALLIC LEVER

This revolving cartridge has metallic lever

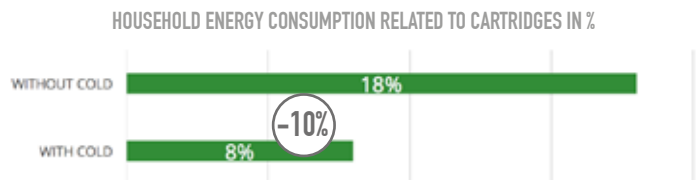
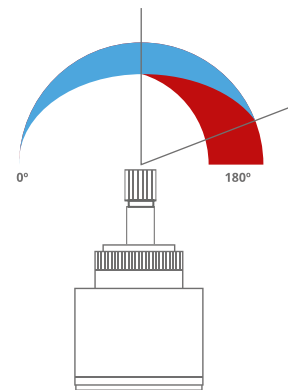
ADVANTAGES

- **180° ROTATION ANGLE**
40mm revolving cartridge has a rotation angle of 180° from cold to hot.
- **EASY REVOLVING MOVEMENT**
Smooth revolving movement for a comfort operation to the user.
- **TR TECHNOLOGY**
The TR technology allows energy saving thanks to temperature limiters. It also enables an anti-scalding safety feature. This function allows limiting maximum temperature in 7 selectable stops.

- **COLD TECHNOLOGY**
The cartridge starts in cold position by default, saving energy consumption related to plumbing products in the household.



position	15° l/min	65° l/min	°C 3bar
1	16	4	26°
2	12,5	7,5	35°
3	9	11	43°
4	5	15	50°
5	2	18	56°
6	1	19	61°
7	0	20	65°



GI-40 C/D

L10 TR

REF.08GI40LBE64



DOWNLOAD
DATA SHEET

GI-40 S/D

L10 TR

REF. 08GI40FBE64



DOWNLOAD
DATA SHEET

RECOMMENDED APPLICATIONS

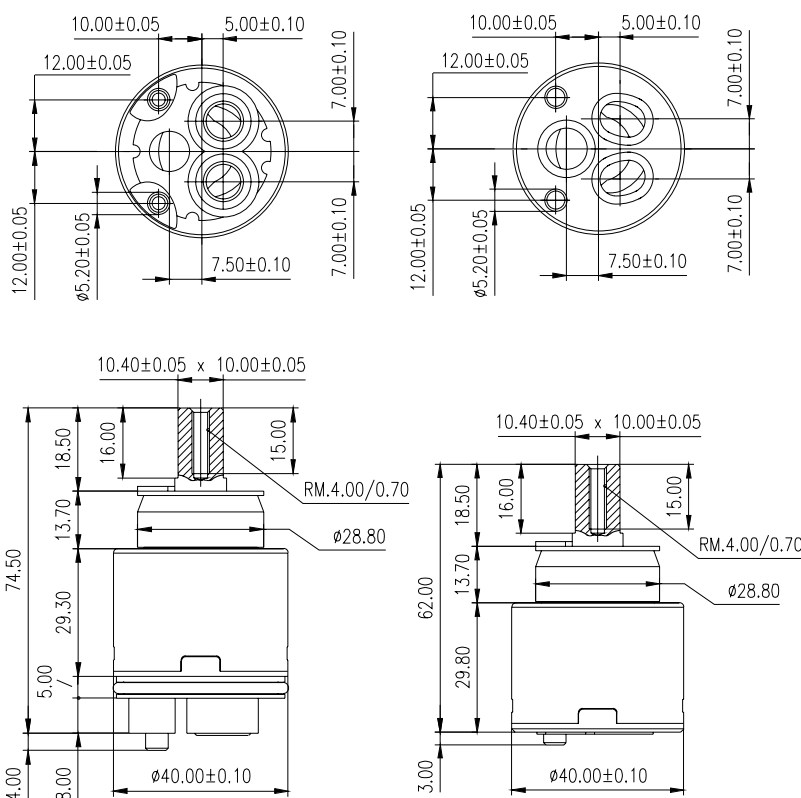


DECORATIVE WASHBASINS
Specially designed for decorative faucets.

CERTIFICATIONS



DIMENSIONS



* Find machining requirements on pages 164-167.

TECHNICAL SPECIFICATIONS

General	C/D	S/D
Nut torque pitch M1.5	10-12Nm	10-12Nm
Rotation angle	180°	180°
Working pressure (recommended)	1 - 5 bar	1 - 5 bar
Burst pressure	40-45 bar	40-45 bar
Life cycle - EN 200	200,000 cycles	200,000 cycles
ASME 118.12.1 M	500,000 cycles	500,000 cycles
Max. hot water*	90 °C	90 °C

Operation Torque	C/D	S/D
Turn left-right	0.20-0.22 Nm	0.20-0.22 Nm

Flow rate (free flow)	C/D	S/D
at 0.5 bar	9.4 l/min	9.5 l/min
at 1 bar	13.2 l/min	13.2 l/min
at 3 bar	23 l/min	22.8 l/min
at 5 bar	29.4 l/min	29.4 l/min

Only applies to officially listed products.
 Tested at Sedal's lab with Sedal's standard faucet
 *Peak or limited time condition.

REVOLVING

GI-40

GI-40 C/D

Z20

REF.08GI40LBE00



DOWNLOAD
DATA SHEET

GI-40 S/D

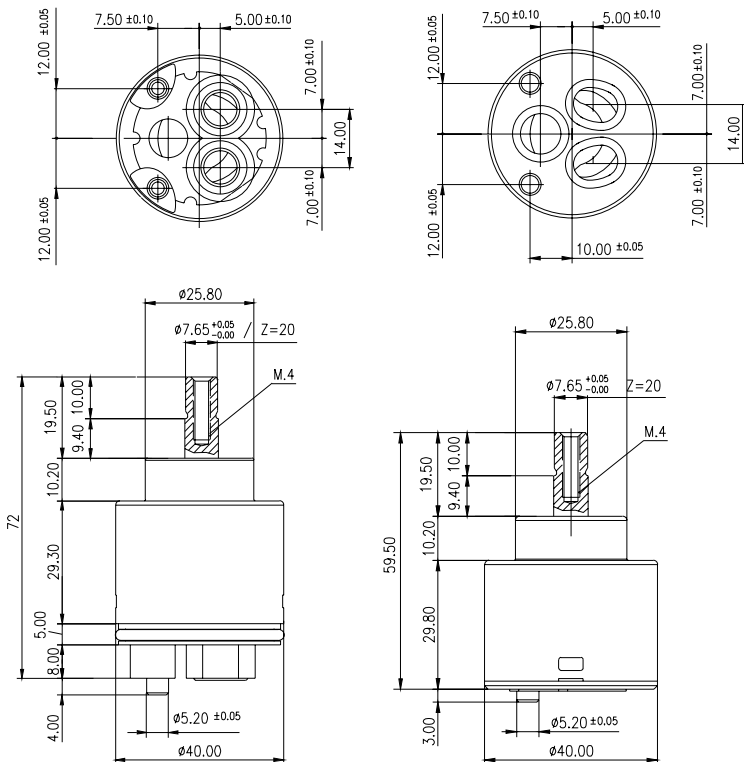
Z20

REF.08GI40FBE00



DOWNLOAD
DATA SHEET

DIMENSIONS



* Find machining requirements on pages 164-167.

DESCRIPTION

40 mm revolving cartridges with a turning lever in order to mix water and provide better control of the flow rate.

ADVANTAGES

BRASS OR PLASTIC SHAFT

Cartridge available with plastic or metal shaft, depending on the application.

RECOMMENDED APPLICATIONS



DECORATIVE WASHBASINS
Specially designed for decorative faucets.

CERTIFICATIONS



TECHNICAL SPECIFICATIONS

General	C/D	S/D
Nut torque pitch M1.5	10-12Nm	10-12Nm
Rotation angle	180°	180°
Working pressure (recommended)	1 - 5 bar	1 - 5 bar
Burst pressure	45-50 bar	45-50 bar
Life cycle - EN 200	200,000 cycles	200,000 cycles
ASME 112.18.1 M	500,000 cycles	500,000 cycles
Max. hot water*	90 °C	90 °C

Operation Torque	C/D	S/D
Turn left-right	0.20-0.22 Nm	0.20-0.22 Nm

Flow rate (free flow)	C/D	S/D
at 0.5 bar	9.4 l/min	9.5 l/min
at 1 bar	13.2 l/min	13.2 l/min
at 3 bar	23 l/min	22.8 l/min
at 5 bar	29.4 l/min	29.4 l/min

Only applies to officially listed products.
Tested at Sedal's lab with Sedal's standard faucet
*Peak or limited time condition.

GI-40 C/D

L10

REF. 08GI40LBE10



DOWNLOAD
DATA SHEET

GI-40 S/D

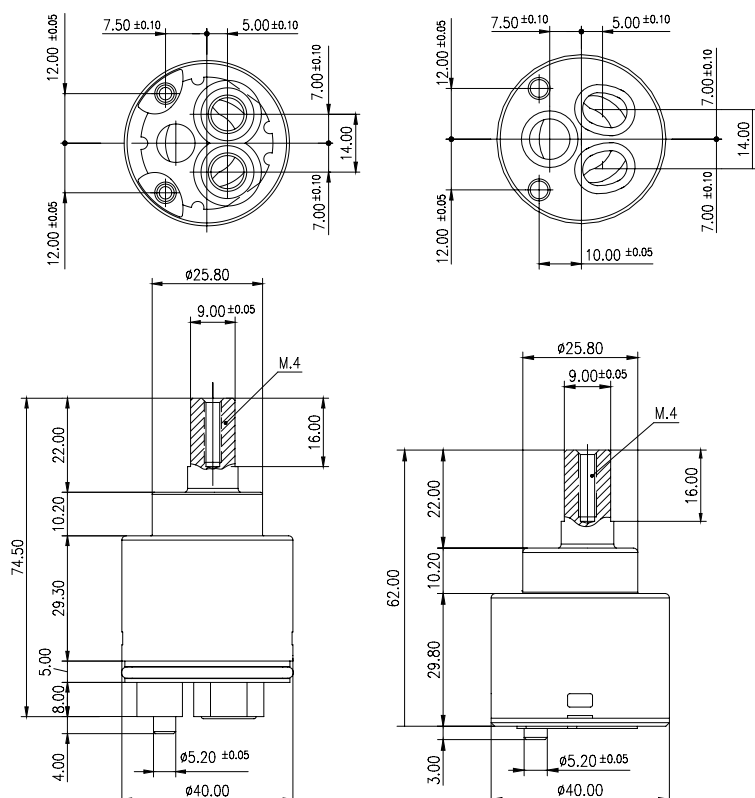
L10

REF. 08GI40FBE10



DOWNLOAD
DATA SHEET

DIMENSIONS



* Find machining requirements on pages 166-169.

DESCRIPTION

40 mm revolving cartridges with a turning lever in order to mix water and provide better control of the flow rate.

ADVANTAGES

BRASS OR PLASTIC SHAFT

Cartridge available with plastic or metal shaft, depending on the application.

RECOMMENDED APPLICATIONS



DECORATIVE WASHBASINS
Specially designed for decorative faucets.

CERTIFICATIONS



TECHNICAL SPECIFICATIONS

General	C/D	S/D
Nut torque pitch M1.5	10-12Nm	10-12Nm
Rotation angle	180°	180°
Working pressure (recommended)	1 - 5 bar	1 - 5 bar
Burst pressure	45-50 bar	45-50 bar
Life cycle - EN 200	200,000 cycles	200,000 cycles
x2 ASME 112.18.1 M	500,000 cycles	500,000 cycles
Max. hot water*	90 °C	90 °C

Operation Torque	C/D	S/D
Turn left-right	0.20-0.22 Nm	0.20-0.22 Nm

Flow rate (free flow)	C/D	S/D
at 0.5 bar	9.4 l/min	9.5 l/min
at 1 bar	13.2 l/min	13.2 l/min
at 3 bar	23 l/min	22.8 l/min
at 5 bar	29.4 l/min	29.4 l/min

Only applies to officially listed products.
Tested at Sedal's lab with Sedal's standard faucet
*Peak or limited time condition.

DIVERTER

GD-40 4

DESCRIPTION

The GD40 S/D 4 diverter from Sedal is a high end 35mm valve with four outlets that provides smooth operation along with a defined feeling of safety and precision thanks to the metallic lever and a high precision ceramic set.

The operation torque has been improved while keeping a small footprint. Works perfectly paired with our TM001 Thermostatic cartridge for showers.

FEATURES



ECO
Cartridges identified with an ECO icon offer at least one environmental sustainability feature.



CLICK
GD-35 includes a click in the middle to notice the change of outlet.



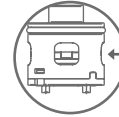
OUTLETS
Diverter cartridge with two outlets.



METALLIC LEVER
This diverter cartridge has metallic lever.



ROTATION ANGLE
Diverter cartridge with 360° rotation angle.



SIDE INLET
The inlet of the diverter is located on the sides.

ADVANTAGES

● *SURPASSES CONVENTIONAL DURABILITY STANDARDS*

Extended life time thanks to a high grade ceramic set made in our Technical Ceramics facilities. The metal lever improves the user perception of quality and precision in a small cartridge.

● *ROBUST DESIGN*

GD-40 has a robust design, withstanding higher levels of burst pressure.

● *HIGHER FLOW RATE*

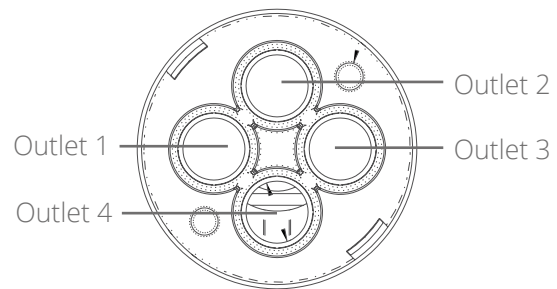
The GD40 has a high flow rate @3 bar, allowing to build body showers with 2 outlets providing a positive user experience while assuring an ecologic water consumption.

● *3 DIFFERENT SHAFTS LENGTH AVAILABLE*

The GD40 is available with three different shaft lengths to fulfill any manufacturer requirements.

● *DIVERTER FUNCTIONALITY*

This cartridge fits specially good in bath showers because allows to have four different outlets. Mixed water enters inlet on the side and exits either outlet 1, 2, 3 or 4.



Total Height (mm)
53.8 mm
66.3 mm
82 mm

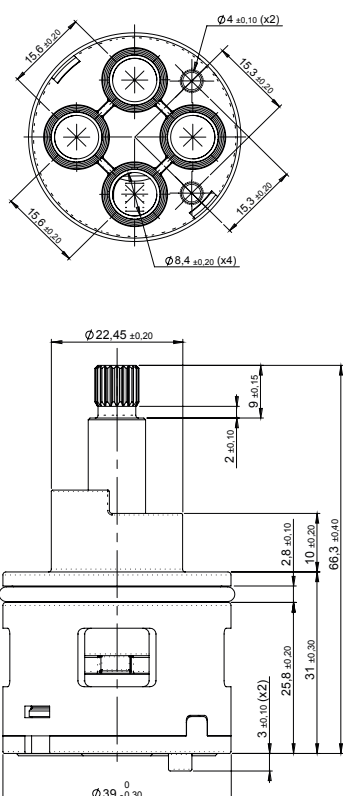
GD-40 S/D 4

REF. 08GD40S0001



DOWNLOAD
DATA SHEET

DIMENSIONS



* Find machining requirements on pages 164-167.

RECOMMENDED APPLICATIONS



SHOWERS DIVERTERS
Specially designed for
showers with diverters.

TECHNICAL SPECIFICATIONS

General	S/D
Nut torque pitch M1.5	10-12 Nm
Rotation angle	>360°
Working pressure (recommended)	1 - 5 bar
Burst pressure	>35 bar
Life cycle - EN 817 NF077	30,000 cycles
Max. hot water*	90 °C

Operation Torque	S/D
Turn left-right	0.15-0.45 Nm
OUTLET SELECTOR (Torque increment)	0.10-0.20 Nm

Flow rate (free flow)	S/D
at 0.5 bar	7.9 l/min
at 1 bar	16 l/min
at 3 bar	27.6 l/min
at 5 bar	35.3 l/min

Only applies to officially listed products.
Tested at Sedal's lab with Sedal's standard faucet
*Peak or limited time condition.

JOYSTICK

JY-40

DESCRIPTION

Joystick cartridges have a similar functionality as standard cartridges, although the special design of their levers allows smooth 360° movements.

Very popular in some countries, Joystick cartridges provide a natural movement especially with vertical levers.

The JY40 from Sedal is a very robust Joystick cartridge specially developed for faucets or cascade tap designs.

FEATURES



JOYSTICK

Joystick cartridge with smooth 360° movement.

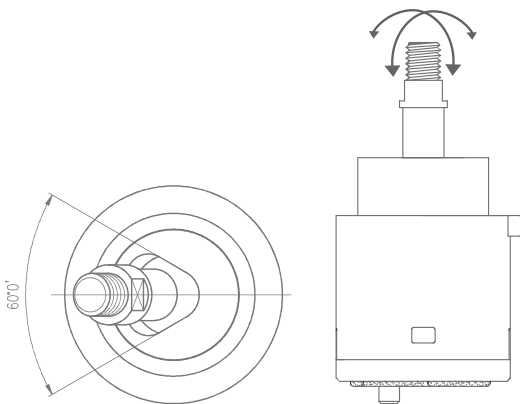


METALLIC LEVER

This joystick cartridge has metallic lever

ADVANTAGES

- **SMOOTH FEELING**
40mm joystick has a very smooth operational feeling that gives comfort to the user.
- **NEW CERAMICS DISC GEOMETRY**
JY-40 has a new ceramics disc geometry that allows its smooth 360° movement.
- **ROBUST DESIGN**
40mm joystick has a robust design, withstanding higher levels of burst pressure.
- **HIGHER FLOW RATE**
JY-40 has higher flow rates than previous versions.



JY-40 C/D

REF.08JY40LBE00



DOWNLOAD
DATA SHEET

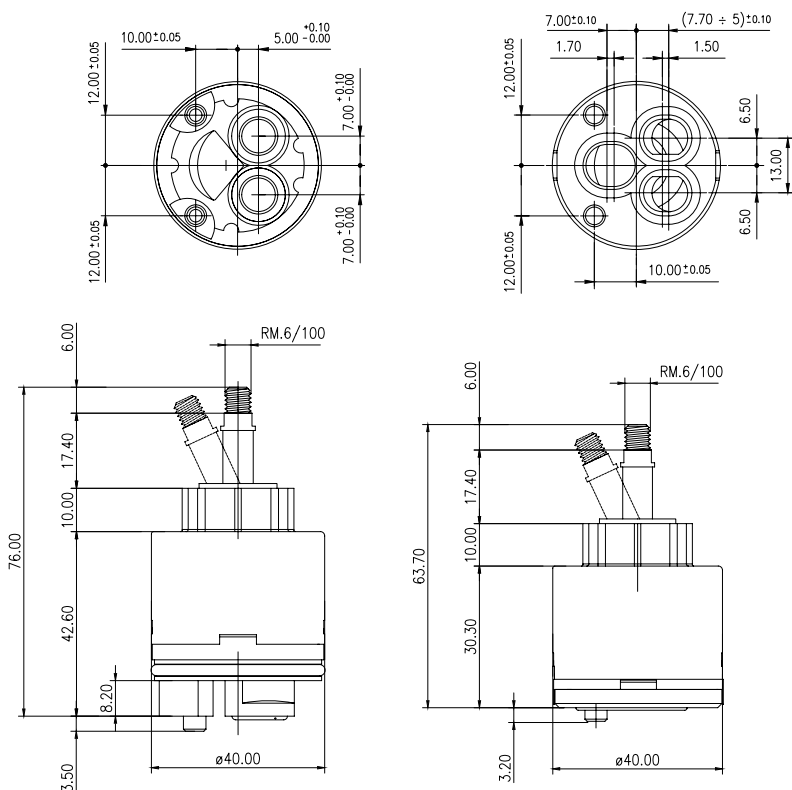
JY-40 S/D

REF.08JY40FBE00



DOWNLOAD
DATA SHEET

DIMENSIONS



* Find machining requirements on pages 164-167.

RECOMMENDED APPLICATIONS



WASHBASINS
Specially designed for washbasins.

CERTIFICATIONS



TECHNICAL SPECIFICATIONS

General	C/D	S/D
Nut torque pitch M1.5	10-12 Nm	10-12 Nm
Opening angle	25°C	25°C
Rotation angle	90°	90°
Working pressure (recommended)	1 - 5 bar	1 - 5 bar
Burst pressure	30-35 bar	30-35 bar
Life cycle - EN 817	70,000 cycles	70,000 cycles
ASME 112.18.1 M	70,000 cycles	70,000 cycles
Max. hot water*	90 °C	90 °C

Operation Torque	C/D	S/D
Open-close	0.32-0.38 Nm	0.32-0.38 Nm
Turn left-right	0.35-0.42 Nm	0.35-0.42 Nm

Flow rate (free flow)	C/D	S/D
at 0.5 bar	10.3 l/min	10 l/min
at 1 bar	14.5 l/min	13.7 l/min
at 3 bar	24.9 l/min	23.6 l/min
at 5 bar	31.8 l/min	30.5 l/min

Only applies to officially listed products.
Tested at Sedal's lab with Sedal's standard faucet
*Peak or limited time condition.

PRESSURE BALANCE

PB-40

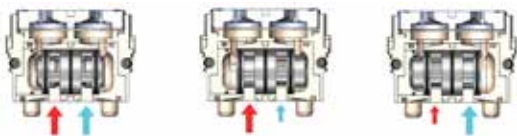
DESCRIPTION

Pressure balance cartridges include a special mechanical device that detects pressure variations in water inlets, ensuring temperature stability. Particularly suited for applications in which water pressure is unstable.

ADVANTAGES

● AVOIDS PRESSURE VARIATIONS

Pressure balance cartridges have a special base with a cylinder and a piston that moves according to pressure variations to keep the water temperature stable and avoid the annoying changes of temperature when showering.



Balanced pressure
When the water pressure is stable, the piston inside the cylinder is located in the middle of the cartridge

Hot water pressure
When the hot water enters the cartridge with more pressure than the cold, the piston moves to the right to close the inlet of hot water until it equals to the pressure of cold water.

Cold water pressure
When the cold water enters the cartridge with more pressure than the hot, the piston moves to the left to close the inlet of cold water until it equals to the pressure of hot water.

● SECURITY

TRN version has a safety anti-scalding feature.

● COMPATIBILITY

PBs are compatible with standard and upper sealing versions.

FEATURES



ECO

Cartridges identified with an ECO icon offer at least one environmental sustainability feature.



FLOW LIMITER

Limit maximum water flow for water saving.



TEMPERATURE LIMITER

Limit maximum temperature in 7 selectable stops for energy saving and to avoid scalding.

● VERSIONS WITH LIMITERS

TEMPERATURE LIMITER FUNCTION (TR)

PB-40 cartridge has an optional ring called TR that allows limiting maximum temperature in 7 selectable stops, enabling an anti-scalding safety feature.



45° TURN



21° TURN

position	15° l/min	65° l/min	°C 3bar
1	16	4	26°
2	12,5	7,5	35°
3	9	11	43°
4	5	15	50°
5	2	18	56°
6	1	19	61°
7	0	20	65°

TEMPERATURE & FLOW LIMITER FUNCTION (TRN)

TRN technology, in addition to limit temperature, allows water saving at the same time thanks to a flow limiter.



The flow can be limited thanks to the screw located in the cartridge lever. By turning the screw, the flow obtained will be reduced, **saving up to 22% of daily water consumption.**



PB-40 C/D

REF. 08PB40L0001



RECOMMENDED APPLICATIONS



WASHBASINS

Specially designed for washbasins.



BATH-SHOWERS

Specially designed for bath showers.



KITCHENS

Suitable for use in kitchens.

CERTIFICATIONS



* Except PB-40 C/D (without TRN)

TECHNICAL SPECIFICATIONS

General	C/D	C/D TRN
Nut torque pitch M1.5	10-12Nm	10-12Nm
Opening angle	25°	23.5°
Rotation angle	100°	100°
Working pressure (recommended)	1 - 5 bar	1 - 5 bar
Burst pressure	>35 bar	>35 bar
Life cycle - EN 817 NF U3	70,000 cycles	70,000 cycles
Sensitivity (r=45mm)	>12° angle	>12° angle
Fidelity	<5°C	<5°C
Max. hot water*	90 °C	90 °C

Operation Torque	C/D	C/D TRN
Open-close	0.35-0.45 Nm	0.35-0.45 Nm

Flow rate (free flow)	C/D	C/D TRN
at 0.5 bar	6.5 l/min	6.5 l/min
at 1 bar	9.1 l/min	9.1 l/min
at 3 bar	15.8 l/min	15.8 l/min
at 5 bar	20.3 l/min	20.3 l/min

Only applies to officially listed products.
 Tested at Sedal's lab with Sedal's standard faucet
 *Peak or limited time condition.

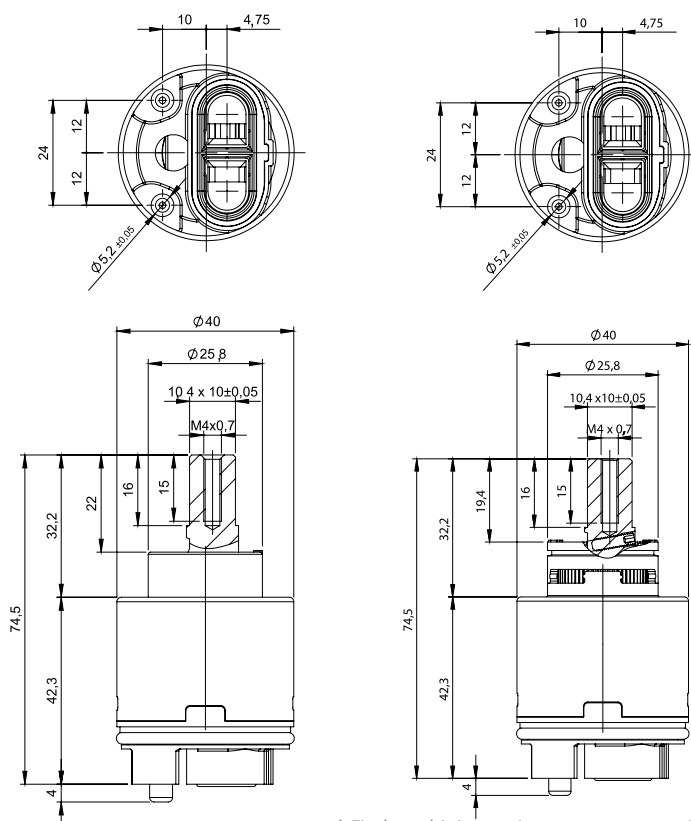
OTHER VERSIONS

CD

Temperature & flow limiter (TRN)

REF.08PB40L4602

DIMENSIONS



* Find machining requirements on pages 164-167.

UPPER SEALING

G-40

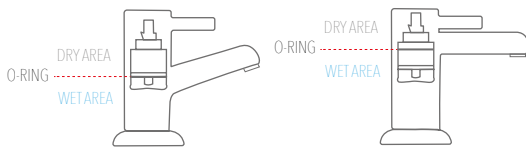
DESCRIPTION

Upper sealed cartridges allow the manufacturer to work with different faucet configurations, including those in which the spout is located on the upper side. Some of these cartridges also provide extra productivity thanks to their design.

ADVANTAGES

● *ALLOWS DIFFERENT FAUCET CONFIGURATIONS*

Allows the manufacturer to work with different faucet configurations, including those in which the spout is located on the upper side.



● *COMPATIBILITY*

Lower sealing compatible with standard 40mm available.

FEATURES



ECO

Cartridges identified with an ECO icon offer at least one environmental sustainability feature.

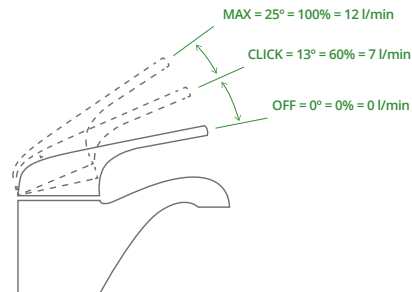


DUE

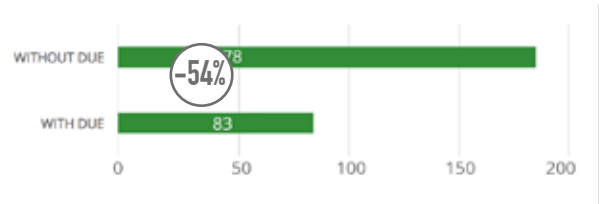
Water flow optimization thanks to a mid-way stop at 60% of the lever stroke that provides up to 50% water saving.

● *DUE TECHNOLOGY*

Easier control of water flow thanks to Due technology, which presents a slight resistance to indicate that the fitting is using approximately a 50% of its flow. This feature allows saving water.



DAILY AVERAGE WATER CONSUMPTION PER PERSON - FAUCETS & SHOWERS - IN LITERS



G-40 C/D

REF. 08G40LBE00



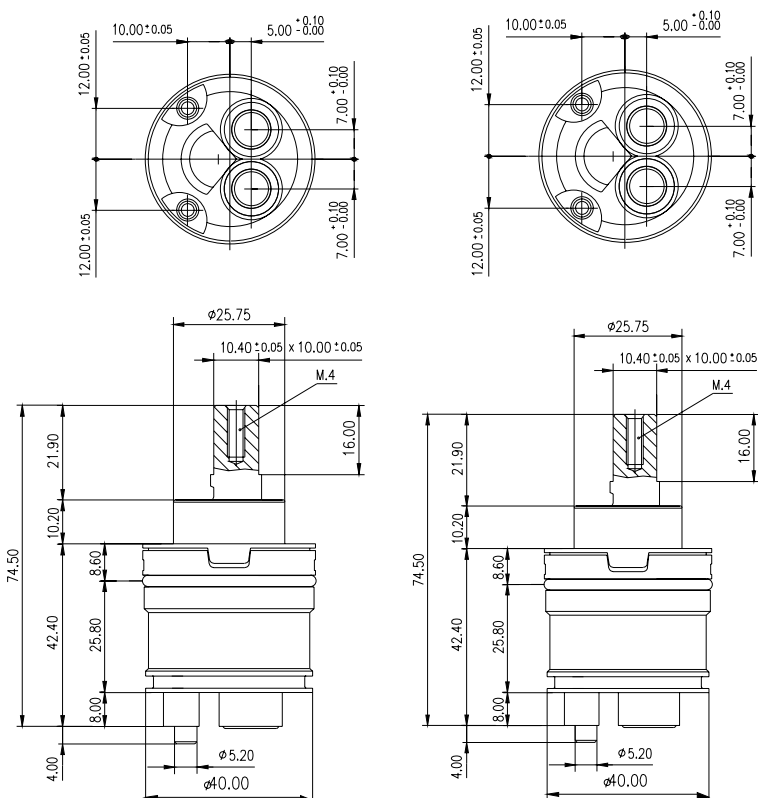
G-40 C/D

DUE

REF. 08G40LBE30



DIMENSIONS



* Find machining requirements on pages 164-167.

RECOMMENDED APPLICATIONS



WASHBASINS

Specially designed for washbasins.



BATH-SHOWERS

Specially designed for bath showers.



KITCHENS

Suitable for use in kitchens.

CERTIFICATIONS



TECHNICAL SPECIFICATIONS

General	C/D	C/D DUE
Nut torque pitch M1.5	10-12Nm	10-12Nm
Opening angle	25°	25°
Rotation angle	100°	100°
Working pressure (recommended)	1 - 5 bar	1 - 5 bar
Burst pressure	>25 bar	>25 bar
Life cycle - EN 817	70,000 cycles	70,000 cycles
ASME 112.18.1 M	500,000 cycles	500,000 cycles
Sensitivity (r=45mm)	9° angle	9° angle
Max. hot water*	90 °C	90 °C

Operation Torque	C/D	C/D DUE
Open-close	0.30-0.40 Nm	0.30-0.40 Nm
Turn left-right	0.35-0.45 Nm	0.35-0.45 Nm

Flow rate (free flow)	C/D	C/D DUE
at 0.5 bar	10.8 l/min	10.8 l/min
at 1 bar	15.1 l/min	15.1 l/min
at 3 bar	25.9 l/min	25.9 l/min
at 5 bar	33.5 l/min	33.5 l/min

Only applies to officially listed products.
 Tested at Sedal's lab with Sedal's standard faucet
 *Peak or limited time condition.

COMPACT

EX-40

DESCRIPTION

Compact 40 mm cartridge allows the manufacturer for short faucets.

FEATURES



ECO
Cartridges identified with an ECO icon offer at least one environmental sustainability feature.



DUE
Water flow optimization thanks to a mid-way stop at 60% of the lever stroke that provides up to 50% water saving.

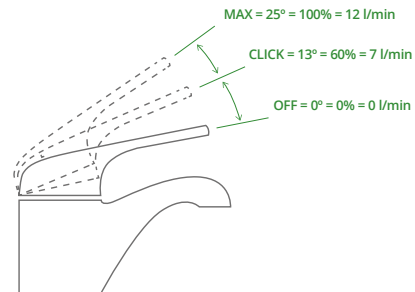
ADVANTAGES

● *MINIMALISM WITH HIGH PERFORMANCE*

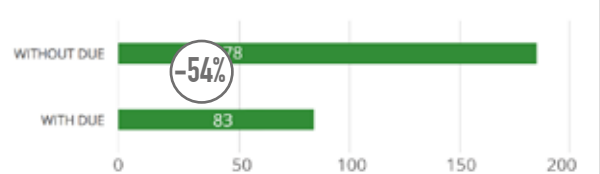
Compact cartridges allow the manufacturer to create minimalistic faucets without giving up the high-performance features of the cartridges

● *DUE TECHNOLOGY*

Easier control of water flow thanks to Due technology, which presents a slight resistance to indicate that the fitting is using approximately a 50% of its flow. This feature allows saving water.



DAILY AVERAGE WATER CONSUMPTION PER PERSON -FAUCETS & SHOWERS - IN LITERS



EX-40

REF. 08EX40S0001



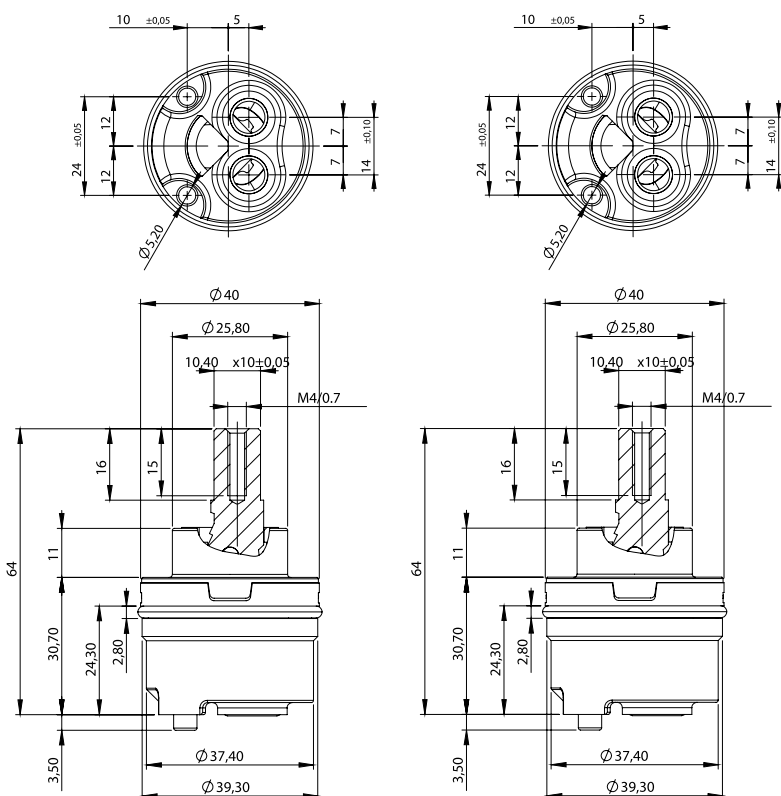
EX-40

DUE

REF. 08EX40S3001



DIMENSIONS



* Find machining requirements on pages 164-167.

RECOMMENDED APPLICATIONS



CONCEALED WASHBASINS
Specially designed for washbasins.



CONCEALED BATH-SHOWERS
Specially designed for bath showers.



CONCEALED KITCHENS
Suitable for use in kitchens.

CERTIFICATIONS



TECHNICAL SPECIFICATIONS

General	EX-40	EX-40 DUE
Nut torque pitch M1.5	10-12Nm	10-12Nm
Opening angle	24°	24°
Rotation angle	90°	90°
Working pressure (recommended)	1 - 5 bar	1 - 5 bar
Burst pressure	>50 bar	>50 bar
Life cycle - EN 817	70,000 cycles	70,000 cycles
Sensitivity (r=45mm)	14-16° angle	14-16° angle
Max. hot water*	90 °C	90 °C

Operation Torque	EX-40	EX-40 DUE
Open-close	0.28-0.32 Nm	0.28-0.32 Nm
Turn left-right	0.13-0.25 Nm	0.13-0.25 Nm
Saving device (DUE)	-	0.60-0.90 Nm

Flow rate (free flow)	EX-40	EX-40 DUE
at 0.5 bar	10.7 l/min	10.7 l/min
at 1 bar	15.1 l/min	15.1 l/min
at 3 bar	26 l/min	26 l/min
at 5 bar	33.6 l/min	33.6 l/min

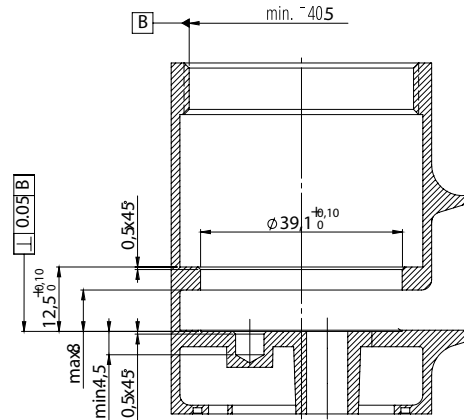
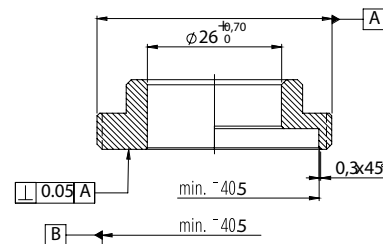
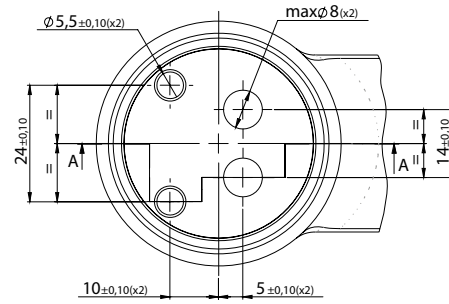
Only applies to officially listed products.
Tested at Sedal's lab with Sedal's standard faucet
*Peak or limited time condition.

MACHINING REQUIREMENTS

CHART OF MACHINING REQUIREMENTS

DIAMETER	CARTRIDGE	REFERENCE	PAGE	MACHINING TIP
40 mm	SN-40 C/D THEDRA	08SN40L0001	122	
	SN-40 C/D THEDRA DUE	08SN40L3001	124	
	SN-40 C/D THEDRA COLD	08SN40L1501	126	
	SN-40 C/D THEDRA COLD DUE	08SN40L5501	128	
	EN-40 C/D	08EN40LAZ00	130	
	E-40 C/D C1	08EN40L1002	132	
	E-40 C/D C2	08EN40L3005	133	
	EN-40 C/D COLD DUE	08EC40L3003	134	
	EN-40 C/D COLD MIRROR DUE	08EC40L2001	136	
	SN-40 C/D	08SN40LAZ00	138	
	TRN-40 C/D	08RN40LVE00	139	
	DN-40 C/D BG BASIC	08DN40LBG01	140	
	SN-40 C/D ECOFLOW	08SN40L0003	142	
	GC-40 C/D THEDRA	08GC40L0001	144	
	GC-40 C/D THEDRA DUE	ON DEMAND	146	
	GI-40 C/D L10 TR	08GI40LBE64	150	
	GI-40 C/D Z20	08GI40LBE00	152	
	GI-40 C/D L10	08GI40LBE10	153	
	JY-40 C/D	08JY40LBE00	156	
	PB-40 C/D	08PB40L0001	158	

MACHINING TIP

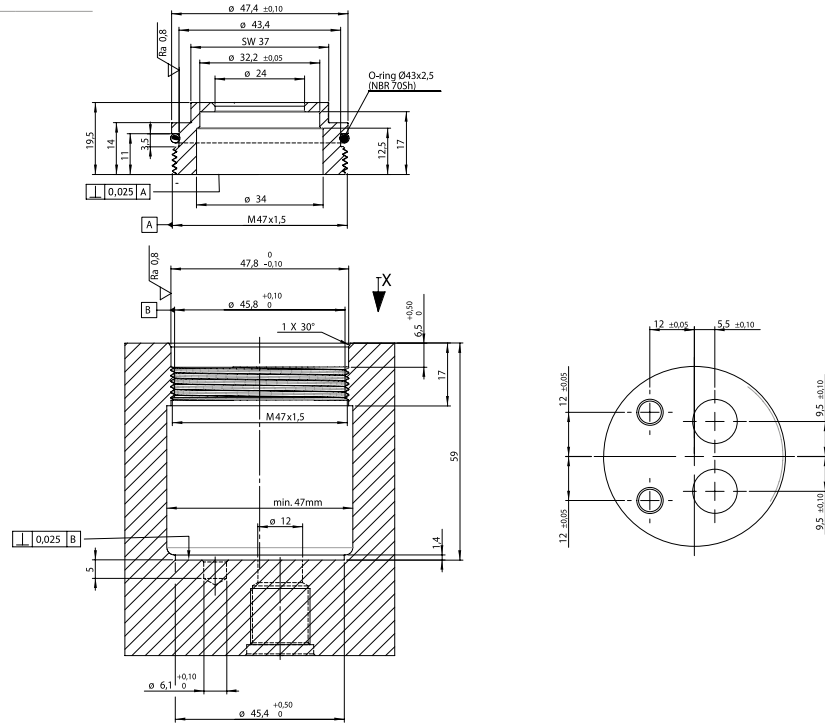


DIAMETER	CARTRIDGE	REFERENCE	PAGE	MACHINING TIP
40 mm	SN-40 S/D THEDRA	08SN40S0001	122	<p>The technical drawing consists of three views: a front view at the top, a side view in the middle, and a cross-sectional view at the bottom. The front view shows a circular cartridge with a diameter of $\phi 55 \pm 0.10$ (x2). It features a central hole with a diameter of $\phi 26$ and a depth of 7.5 ± 0.10. There are also two smaller holes with a maximum diameter of $\phi 8$ (x2) and a distance of 10 ± 0.10 (x2) between them. The total length of the cartridge is 24 ± 0.10. The side view shows a length of 14 ± 0.10 and a chamfered edge with a $0.3 \times 45^\circ$ angle. The cross-sectional view shows a minimum length of $\text{min. } \sim 40.5$ and a chamfered edge with a $0.5 \times 45^\circ$ angle. Callouts A and B indicate specific features and tolerances.</p>
	SN-40 S/D THEDRA DUE	08SN40S3001	124	
	SN-40 S/D THEDRA COLD	08SN40S1501	126	
	SN-40 S/D THEDRA COLD DUE	08SN40S5501	128	
	EN-40 S/D	08EN40FAZ00	130	
	E-40 S/D DUE	08E40FAZ30	131	
	E-40 C/D C1	08EN40S1002	132	
	E-40 C/D C2	08EN40S3005	133	
	EN-40 S/D COLD DUE	08EC40S3003	134	
	EN-40 S/D MIRROR DUE	08EC40S2001	136	
	SN-40 S/D	08SN40SAZ00	138	
	TRN-40 S/D	08RN40FVE00	139	
	DN-40 S/D BG BASIC	08DN40FBG01	140	
	SN-40 S/D ECOFLOW	08SN40S0004	142	
	GC-40 S/D THEDRA	08GC40S0001	144	
	GC-40 S/D THEDRA DUE	ON DEMAND	146	
	GI-40 S/D L10 TR	08GI40FBE64	150	
	GI-40 S/D Z20	08GI40FBE00	152	
	GI-40 S/D L10	08GI40FBE10	153	
	JY-40 S/D	08JY40FBE00	156	

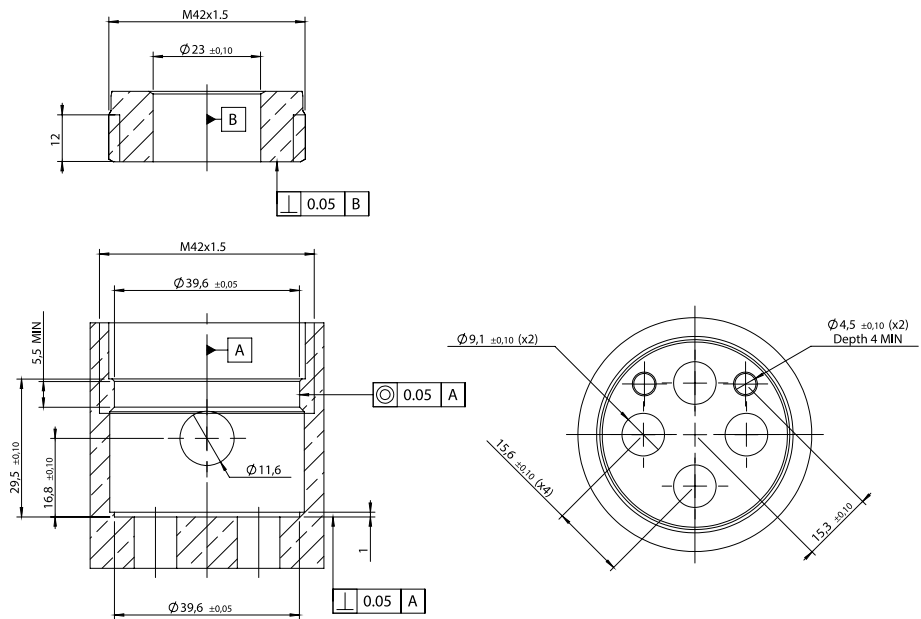
MACHINING REQUIREMENTS

CHART OF MACHINING REQUIREMENTS

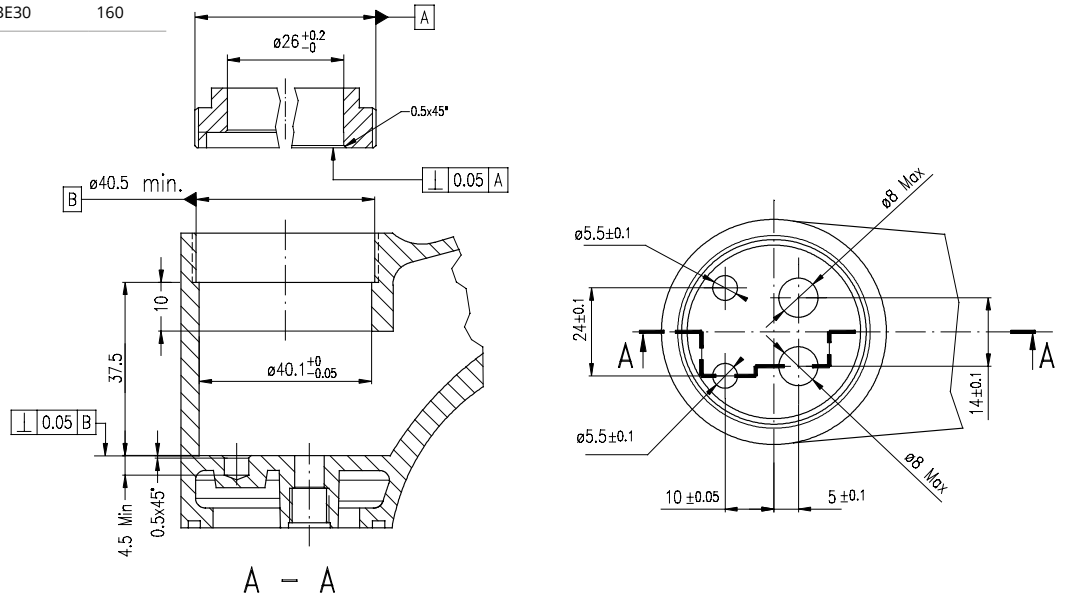
DIAMETER	CARTRIDGE	REFERENCE	PAGE	MACHINING TIP
45 mm	GC-45 S/D	08GC45FBE00	148	



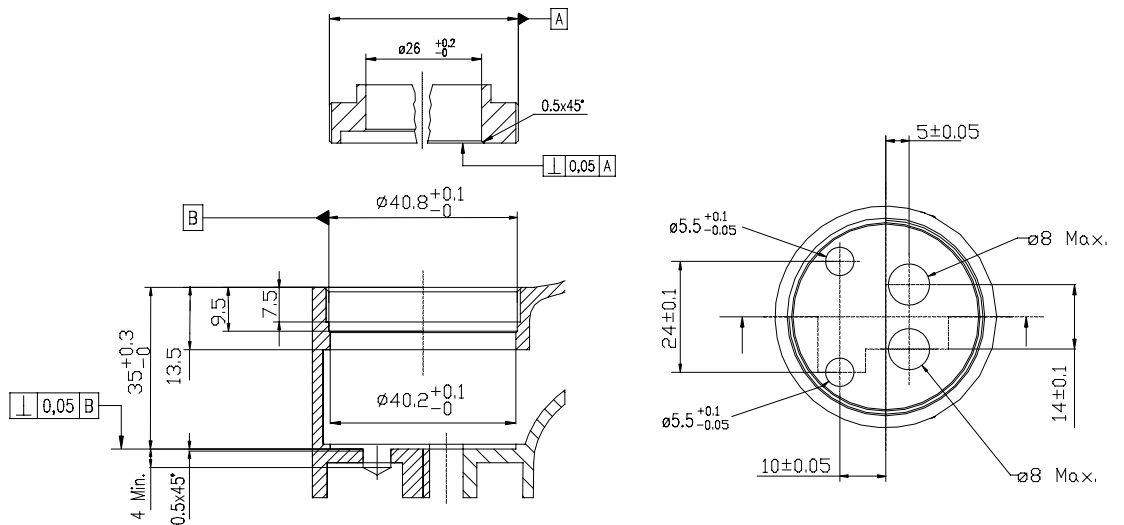
DIAMETER	CARTRIDGE	REFERENCE	PAGE	MACHINING TIP
40 mm	GD-40 S/D 4	08GD40S0001	154	



DIAMETER	CARTRIDGE	REFERENCE	PAGE	MACHINING TIP
40 mm	G-40 C/D	08G40LBE00	160	
	G-40 C/D DUE	08G40LBE30	160	



DIAMETER	CARTRIDGE	REFERENCE	PAGE	MACHINING TIP
40 mm	EX-40	08EX40S0001	162	
	EX-40 DUE	08EX40S3001	162	



THERMOSTATIC CARTRIDGES

SEDAL'S thermostatic cartridges provide fast response, high reliability and anti-scalding safety features thanks to the combination of materials, design and high quality sensors.



COMPARISON TABLE

DETAILS*	TM001 STD	TM001 HP	TM001 C	TM001 BASIC	TM006	TM006 CLICK	TM006 BASIC
Flow rate * (Free flow) at 3 bar	23 l/min	23 l/min	26 l/min.	22 l/min	21 l/min	21 l/min	20 l/min
Flow rate * (RhC) at 3bar	20,5 l/min	20,5 l/min	21 l/min	20 l/min	-	-	-
Flow rate * (RhA) at 3bar	13,5 l/min	13,5 l/min	13,5 l/min	13,5 l/min	13 l/min	13 l/min	12,5 l/min
Burst pressure	25 bar.	35 bar.	35 bar.	25 bar.	35 bar.	35 bar.	25 bar.
Durability	100.000 cycles	100.000 cycles	100.000 cycles	50.000 cycles	100.000 cycles	100.000 cycles	50.000 cycles
STANDARD**	TM001 STD	TM001 HP	TM001 C	TM001 BASIC	TM006	TM006 CLICK	TM006 BASIC
EN-1111	●	●	●	●	●	●	●
ASSE 1016	-	●	●	-	●	●	-
GB QB/T2806	●	●	●	-	●	●	●
SANITARY CERTIFICATION**	TM001 STD	TM001 HP	TM001 C	TM001 BASIC	TM006	TM006 CLICK	TM006 BASIC
ACS	●	●	●	●	●	●	●
WRAS	●	●	●	-	●	●	-
KTW (4MS)	●	●	●	-	●	●	-
NSF	●	●	●	-	●	●	-

* Tested at Sedal's lab with Sedal's standard faucet

** Different references. The compliance of standards does not only depend on the thermostatic cartridge but also on the construction of the faucet body and other elements.

THERMOSTATIC

TM001

DESCRIPTION

Standard thermostatic cartridges complying with EN-1111 specifications for shower and bath appliances.

With a life cycle of 50,000 cycles, it suits all the design and quality requirements of the market, providing high reliability and high response, with specific anti-scalding safety measures.

ADVANTAGES

● TEMPERATURE CONTROL

TM001 is a thermostatic regulation system that allows the user to set and easily adjust the desired temperature of the shower, while ensuring the steadiest mixed outlet water temperature. This control of the outlet temperature also allows an anti-scalding safety feature for the maximum comfort to the user.

● ANTI-SCALDING FEATURE

This thermostatic cartridge allows an anti-scalding safety feature for the maximum comfort to the user. In case of cold water supply failure, the valve automatically shuts down the waterflow.

● BURST PRESSURE

Withstands a burst pressure up to 25bar.

● HIGH STABILITY MATERIALS

High stability thermoplastic materials help reducing limescale.

● LEAD FREE

Lead free and chloramine resistant options.

FEATURES



THERMOSTATIC

Thermostatic functions allow water delivery at the desired temperature.



ECO

Cartridges identified with an ECO icon offer at least one environmental sustainability feature.



LEAD FREE

Suitable for low-lead applications.

● DIFFERENT CERTIFIED VERSIONS

We have adapted our TM001 materials to create new versions according to 4MS, NSF, ACS, WRAS or KTW regulation in acceptance of metallic materials used for products in contact with drinking water, using authorised materials.

● DOUBLE LIFE CYCLE

TM001 has 2x EN-1111 cycles, allowing the cartridge and the system to have a longer life.

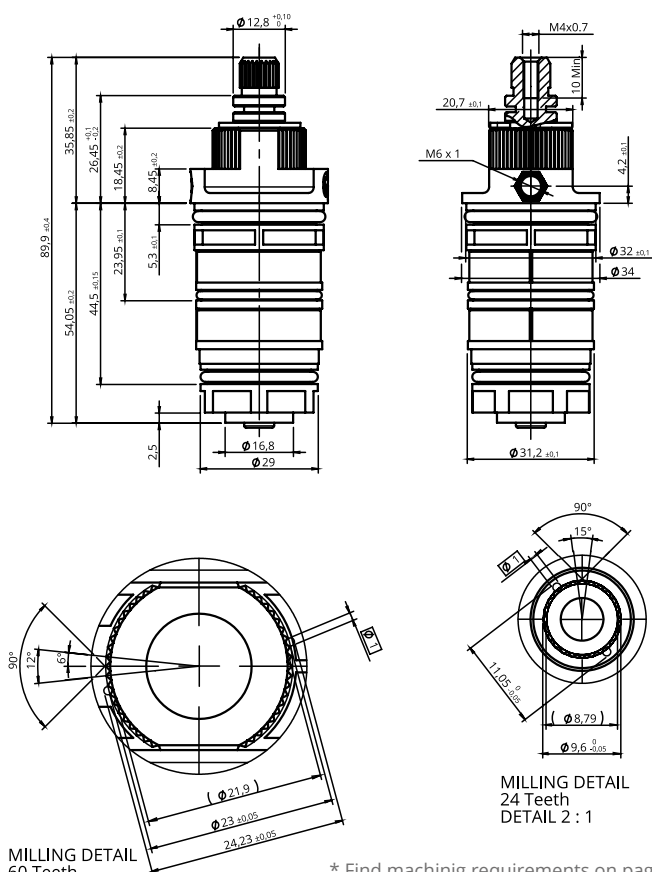
TM001

REF.07TM00100 (STD)



DOWNLOAD DATA SHEET

DIMENSIONS



MILLING DETAIL
60 Teeth
DETAIL 2 : 1

MILLING DETAIL
24 Teeth
DETAIL 2 : 1

* Find machining requirements on pages 186-187.

RECOMMENDED APPLICATIONS



BATH-SHOWERS

Specially designed for bath showers.

CERTIFICATIONS*



* Ready for KTW

TECHNICAL SPECIFICATIONS

General	TM001 / TM001 4MS
Standards *	EN-1111 GB QB/T2806
Burst pressure	>25 bar
2x Life cycle - EN-1111	100,000 cycles
Max. hot water	90°C
Noise level	18.8 - 21.1 dB

Operation torque	TM001 / TM001 4MS
Turn left-right	0.10 - 0.35 Nm
Sensitivity (36-40°C) (handle 20mm)	14 mm
Cold water supply failure test	Perfect cutting

Flow rate (free flow)	TM001 / TM001 4MS
at 0.1 bar	6 l/min
at 0.5 bar	10 l/min
at 3 bar	23 l/min
at 5 bar	29 l/min

* Different references. The compliance of standards does not only depend on the thermostatic cartridge but also on the construction of the faucet body and other elements.

Only applies to officially listed products.
Tested at Sedal's lab with Sedal's standard faucet

THERMOSTATIC

TM001 HP

DESCRIPTION

Thermostatic cartridge specially designed for burst pressure withstand minimum 35 bar. This cartridge is EN-1111 standard compliant.

FEATURES



THERMOSTATIC

Thermostatic functions allow water delivery at the desired temperature.



ECO

Cartridges identified with an ECO icon offer at least one environmental sustainability feature.



LEAD FREE

Suitable for low-lead applications.

ADVANTAGES

● TEMPERATURE CONTROL

TM001 HP is a thermostatic regulation system that allows the user to set and easily adjust the desired temperature of the shower, while ensuring the steadiest mixed outlet water temperature. This control of the outlet temperature also allows an anti-scalding safety feature for the maximum comfort to the user.

● ANTI-SCALDING FEATURE

This thermostatic cartridge allows an anti-scalding safety feature for the maximum comfort to the user. In case of cold water supply failure, the valve automatically shutdowns the waterflow.

● BURST PRESSURE

Withstands a burst pressure up to 35bar.

● HIGH STABILITY MATERIALS

High stability thermoplastic materials help reducing limescale.

● LEAD FREE

Lead free and chloramine resistant options.

● DIFFERENT CERTIFIED VERSIONS

We have adapted our TM001 materials to create new versions according to 4MS, NSF, ACS, WRAS or KTW regulation in acceptance of metallic materials used for products in contact with drinking water, using authorised materials.

● HIGH PRESSURE VERSIONS

We have created a special TM001 cartridge for high-pressure applications.

● DOUBLE LIFE CYCLE

TM001 HP has 2x EN-1111 cycles, allowing the cartridge and the system to have a longer life.

TM001 HP

REF.07TM0102 (STD)



DOWNLOAD DATA SHEET

RECOMMENDED APPLICATIONS



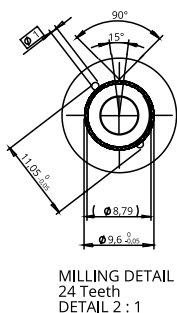
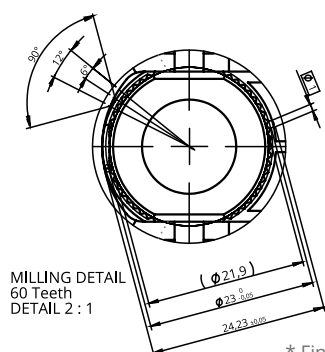
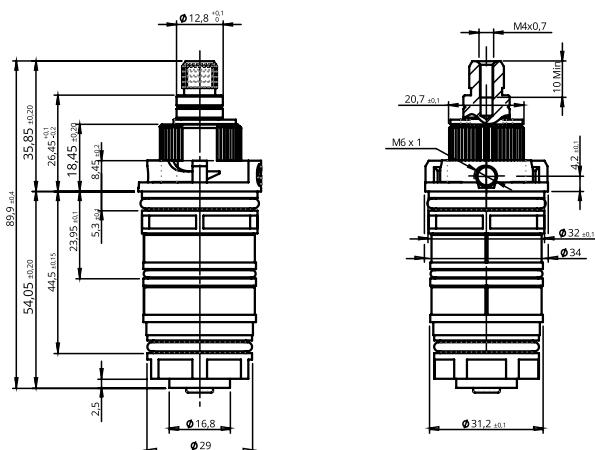
BATH-SHOWERS
Specially designed for bath showers.

CERTIFICATIONS*



* Ready for KTW

DIMENSIONS



* Find machining requirements on pages 186-187.

TECHNICAL SPECIFICATIONS

General	TM001 HP/ NSF/ 4MS
Standards*	EN-1111 ASSE#1016 GB QB/T2806
Burst pressure	>35 bar
2x Life cycle - EN-1111	100,000 cycles
ASSE#1016	100,000 cycles
Max. hot water	90°C
Noise level	18.8 - 21.1 dB

Operation torque	TM001 HP/ NSF/ 4MS
Turn left-right	0.10 - 0.35 Nm
Sensitivity (36-40°C) (handle 20mm)	14 mm
Cold water supply failure test	Perfect cutting

Flow rate (free flow)	TM001 HP / NSF/ 4MS
at 0.1 bar	6 l/min
at 0.5 bar	10 l/min
at 3 bar	23 l/min
at 5 bar	29 l/min

* Different references. The compliance of standards does not only depend on the thermostatic cartridge but also on the construction of the faucet body and other elements.

Only applies to officially listed products.
Tested at Sedal's lab with Sedal's standard faucet

THERMOSTATIC

TM001 LP

DESCRIPTION

Thermostatic cartridges specially designed for 0,2 to 1 bar low pressure applications. This cartridge is complying with EN-1111 and with a life cycle of 50,000 cycles.

FEATURES



THERMOSTATIC

Thermostatic functions allow water delivery at the desired temperature.



ECO

Cartridges identified with an ECO icon offer at least one environmental sustainability feature.



LEAD FREE

Suitable for low-lead applications.

ADVANTAGES

● TEMPERATURE CONTROL

TM001 LP is a thermostatic regulation system that allows the user to set and easily adjust the desired temperature of the shower, while ensuring the steadiest mixed outlet water temperature. This control of the outlet temperature also allows an anti-scalding safety feature for the maximum comfort to the user.

● ANTI-SCALDING FEATURE

This thermostatic cartridge allows an anti-scalding safety feature for the maximum comfort to the user. In case of cold water supply failure, the valve automatically shutdowns the waterflow.

● BURST PRESSURE

Withstands a burst pressure up to 25bar.

● HIGH STABILITY MATERIALS

High stability thermoplastic materials help reducing limescale.

● LEAD FREE

Lead free and chloramine resistant options.

● DIFFERENT CERTIFIED VERSIONS

We have adapted our TM001 LP materials to create new versions according to 4MS, NSF, ACS, WRAS or KTW regulation in acceptance of metallic materials used for products in contact with drinking water, using authorised materials.

● LOW PRESSURE VERSIONS

We have created a special TM001 LP cartridge for low-pressure applications.

● DOUBLE LIFE CYCLE

TM001 LP has 2x EN-1287 cycles, allowing the cartridge and the system to have a longer life.

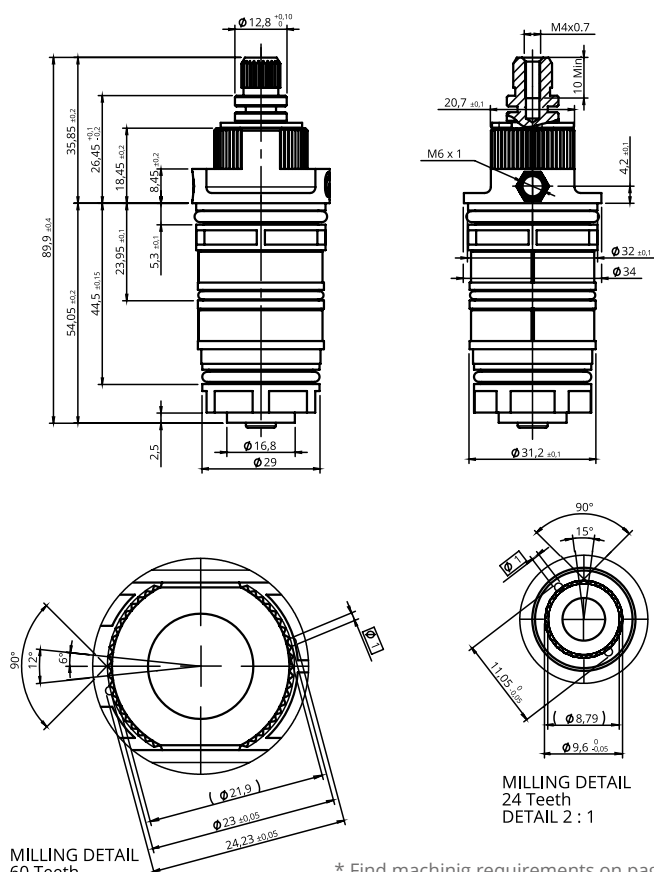
TM001 LP

REF.07TM0131



DOWNLOAD DATA SHEET

DIMENSIONS



MILLING DETAIL
60 Teeth
DETAIL 2 : 1

MILLING DETAIL
24 Teeth
DETAIL 2 : 1

* Find machining requirements on pages 186-187.

RECOMMENDED APPLICATIONS



BATH-SHOWERS
Specially designed for bath showers.

CERTIFICATIONS*



* Ready for KTW

TECHNICAL SPECIFICATIONS

General	TM001 / TM001 4MS
Standards *	EN-1287
Burst pressure	>25 bar/min
Life cycle - EN-1287	50,000 cycles
Max. hot water	90°C
Noise level	18.8 - 21.1 dB

Operation torque	TM001 / TM001 4MS
Turn left-right	Max. 0.35 Nm
Sensitivity (36-40°C) (handle 20mm)	20 mm
Cold water supply failure test	Perfect cutting

Flow rate (free flow)	TM001 / TM001 4MS
at 0.6 bar	16 l/min
at 3 bar	34 l/min

* Different references. The compliance of standards does not only depend on the thermostatic cartridge but also on the construction of the faucet body and other elements.

Only applies to officially listed products.
Tested at Sedal's lab with Sedal's standard faucet

THERMOSTATIC

TM001 BASIC

DESCRIPTION

Basic thermostatic cartridge, combining entry-level product with high-reliability.

FEATURES



THERMOSTATIC

Thermostatic functions allow water delivery at the desired temperature.



ECO

Cartridges identified with an ECO icon offer at least one environmental sustainability feature.



LEAD FREE

Suitable for low-lead applications.

ADVANTAGES

- *TEMPERATURE CONTROL*

TM001 BASIC is a thermostatic regulation system that allows the user to set and easily adjust the desired temperature of the shower, while ensuring the steadiest mixed outlet water temperature. This control of the outlet temperature also allows an anti-scalding safety feature for the maximum comfort to the user.

- *ANTI-SCALDING FEATURE*

This thermostatic cartridge allows an anti-scalding safety feature for the maximum comfort to the user. In case of cold water supply failure, the valve automatically shutdowns the waterflow.

- *BURST PRESSURE*

Withstands a burst pressure up to 25bar.

- *HIGH STABILITY MATERIALS*

High stability thermoplastic materials help reducing limescale.

- *LEAD FREE*

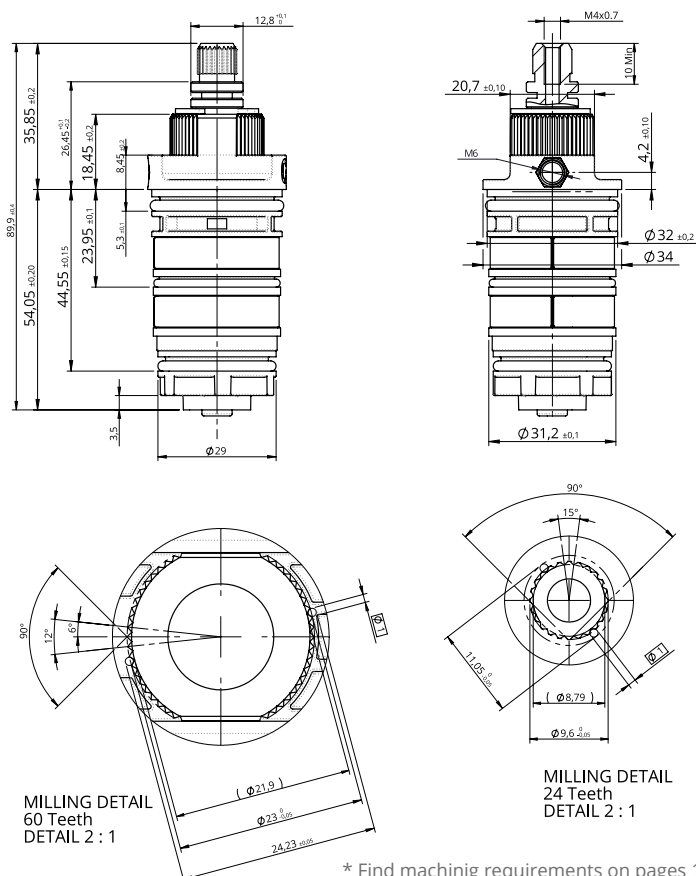
Lead free and chloramine resistant options.

TM001 BASIC

REF.07TM0119



DIMENSIONS



* Find machining requirements on pages 186-187.

RECOMMENDED APPLICATIONS



BATH-SHOWERS
Specially designed for bath showers.

CERTIFICATIONS



TECHNICAL SPECIFICATIONS

General	TM001 BASIC
Standards*	EN-1111 GB QB/T2806
Burst pressure	>25 bar
Life cycle - EN-1111	50,000 cycles
Max. hot water	90°C
Noise level	18.8 - 21.1 dB
Operation torque	TM001 BASIC
Turn left-right	0.10 - 0.35 Nm
Sensitivity (36-40°C) (handle 20mm)	14 mm
Cold water supply failure test	Perfect cutting
Flow rate (free flow)	TM001 BASIC
at 0.1 bar	6 l/min
at 0.5 bar	10 l/min
at 3 bar	22 l/min
at 5 bar	29 l/min

* Different references. The compliance of standards does not only depend on the thermostatic cartridge but also on the construction of the faucet body and other elements.

Only applies to officially listed products.
Tested at Sedal's lab with Sedal's standard faucet

THERMOSTATIC

TM001 C

DESCRIPTION

Its reduced length makes it perfect to fit wall-mounted installations, without giving up any of the standard high-performance features and certifications.

FEATURES



THERMOSTATIC

Thermostatic functions allow water delivery at the desired temperature.



ECO

Cartridges identified with an ECO icon offer at least one environmental sustainability feature.



LEAD FREE

Suitable for low-lead applications.

ADVANTAGES

● TEMPERATURE CONTROL

TM001 C is a thermostatic regulation system that allows the user to set and easily adjust the desired temperature of the shower, while ensuring the steadiest mixed outlet water temperature. This control of the outlet temperature also allows an anti-scalding safety feature for the maximum comfort to the user.

● ANTI-SCALDING FEATURE

This thermostatic cartridge allows an anti-scalding safety feature for the maximum comfort to the user. In case of cold water supply failure, the valve automatically shuts down the waterflow.

● BURST PRESSURE

Withstands a burst pressure up to 35bar.

● HIGH STABILITY MATERIALS

High stability thermoplastic materials help reducing limescale.

● LEAD FREE

Lead free and chloramine resistant options.

● DIFFERENT CERTIFIED VERSIONS

We have adapted our TM001 materials to create new versions according to 4MS, NSF, ACS, WRAS or KTW regulation in acceptance of metallic materials used for products in contact with drinking water, using authorised materials.

● CONCEALED VERSION

TM001 C reduced length makes it easier to fit in concealed applications and the manufacturer has wider design options.

● DOUBLE LIFE CYCLE

TM001 C has 2x EN-1111 cycles, allowing the cartridge and the system to have a longer life.

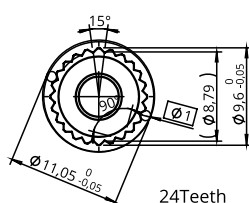
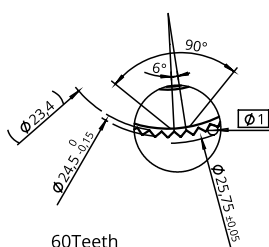
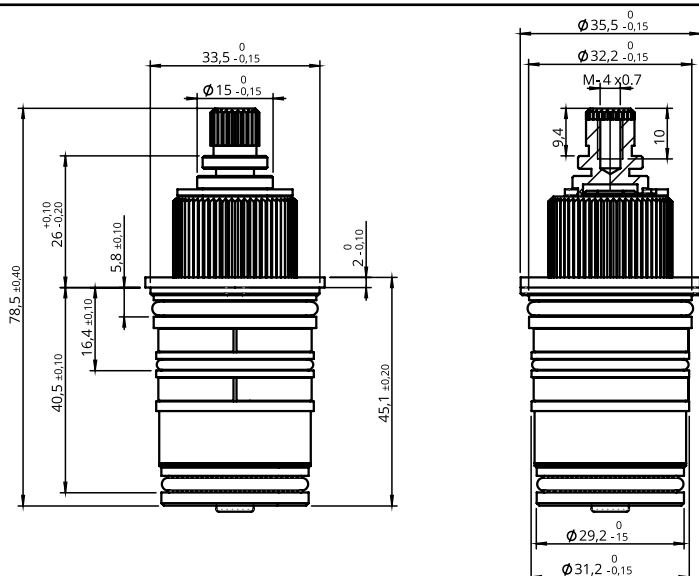
TM001 C

REF.07TM0112 (STD)



DOWNLOAD DATA SHEET

DIMENSIONS



* Find machining requirements on pages 186-187.

RECOMMENDED APPLICATIONS



BATH-SHOWERS

Specially designed for bath showers.

CERTIFICATIONS*



* Ready for KTW

TECHNICAL SPECIFICATIONS

General	TM001 C
Standards*	EN-1111 ASSE#1016 GB QB/T2806
Burst pressure	>35 bar
2x Life cycle - EN-1111 ASSE#1016	100,000 cycles 100,000 cycles
Max. hot water	90°C
Operation torque	TM001 C
Turn left-right	0.30 - 0.50 Nm
Sensitivity (36-40°C) (handle 20mm)	15 mm
Cold water supply failure test	Perfect cutting
Flow rate (free flow)	TM001 C
at 0.1 bar	4.5 l/min
at 0.5 bar	10 l/min
at 3 bar	26 l/min
at 5 bar	33 l/min

* Different references. The compliance of standards does not only depend on the thermostatic cartridge but also on the construction of the faucet body and other elements.

Only applies to officially listed products.
Tested at Sedal's lab with Sedal's standard faucet

THERMOSTATIC

TM006

DESCRIPTION

Standard thermostatic cartridges with smaller diameter for compact shower bodies, complying with EN-1111 specifications. With a life cycle of 50,000 cycles, it suits all the design and quality requirements of the market, providing high reliability and high response, with specific anti-scalding safety measures.

FEATURES



THERMOSTATIC

Thermostatic functions allow water delivery at the desired temperature.



ECO

Cartridges identified with an ECO icon offer at least one environmental sustainability feature.



LEAD FREE

Suitable for low-lead applications.

ADVANTAGES

● TEMPERATURE CONTROL

TM006 is a thermostatic regulation system that allows the user to set and easily adjust the desired temperature of the shower, while ensuring the steadiest mixed outlet water temperature.

● ANTI-SCALDING FEATURE

This thermostatic cartridge allows an anti-scalding safety feature for the maximum comfort to the user. In case of cold water supply failure, the valve automatically shutdowns the waterflow.

● BURST PRESSURE

Withstands a burst pressure up to 35bar.

● HIGH STABILITY MATERIALS

High stability thermoplastic materials help reducing limescale.

● LEAD FREE

Lead free and chloramine resistant options.

● SLIM VERSION

TM006 reduced diameter makes it easier to fit in slim applications and the manufacturer has wider design options.

● DIFFERENT CERTIFIED VERSIONS

We have adapted our TM006 materials to create new versions according to 4MS, NSF, ACS, WRAS or KTW regulation in acceptance of metallic materials used for products in contact with drinking water, using authorised materials.

● DOUBLE LIFE CYCLE

TM006 has 2x EN-1111 cycles, allowing the cartridge and the system to have a longer life.

TM006

REF.07TM0101 (STD)



DOWNLOAD DATA SHEET

RECOMMENDED APPLICATIONS



BATH-SHOWERS

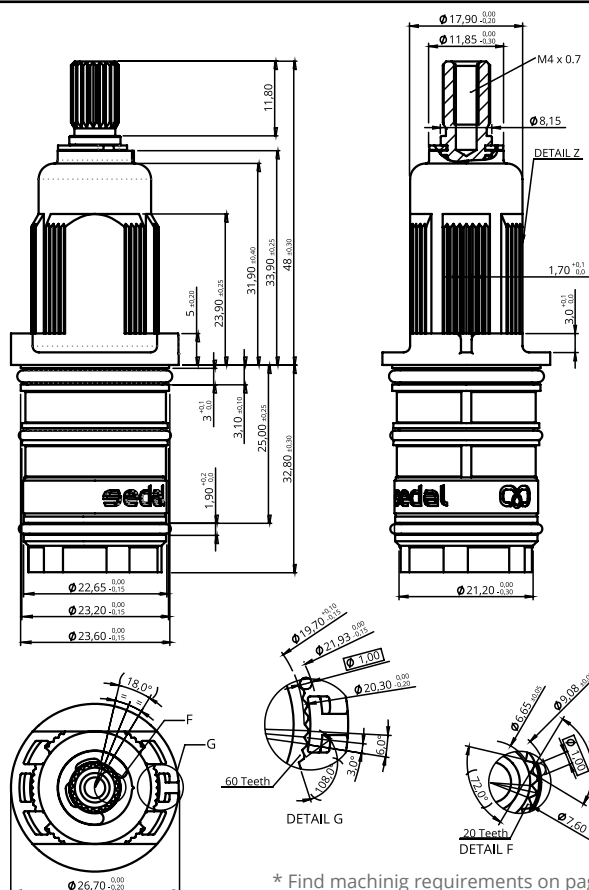
Specially designed for bath showers.

CERTIFICATIONS *



* Ready for KTW

DIMENSIONS



* Find machining requirements on pages 186-187.

TECHNICAL SPECIFICATIONS

General	TM006/ NSF/ 4MS
Standards*	EN-1111 ASSE#1016 GB QB/T2806
Burst pressure	>35 bar
2x Life cycle - EN-1111	100,000 cycles
ASSE#1016	100,000 cycles
Max. hot water	90°C
Noise level	17.8 - 21.1 dB
Operation torque	TM006/ NSF/ 4MS
Turn left-right	0.03 - 0.18 Nm
Sensitivity (36-40°C) (handle 20mm)	27-31 mm
Cold water supply failure test	Perfect cutting
Flow rate (free flow)	TM006 / TM001 4MS
at 0.1 bar	3 l/min
at 0.5 bar	7.8 l/min
at 3 bar	21 l/min
at 5 bar	26.4 l/min

* Different references. The compliance of standards does not only depend on the thermostatic cartridge but also on the construction of the faucet body and other elements.

Only applies to officially listed products.
Tested at Sedal's lab with Sedal's standard faucet

THERMOSTATIC

TM006 K

DESCRIPTION

Thermostatic cartridge with an axial click system, which allows high precision movement of the handle.

This cartridge has been designed according to EN-1111 and NF-1111 standards.

FEATURES



THERMOSTATIC

Thermostatic functions allow water delivery at the desired temperature.



ECO

Cartridges identified with an ECO icon offer at least one environmental sustainability feature.



LEAD FREE

Suitable for low-lead applications.

ADVANTAGES

● TEMPERATURE CONTROL

TM006 K is a thermostatic regulation system that allows the user to set and easily adjust the desired temperature of the shower, while ensuring the steadiest mixed outlet water temperature. This control of the outlet temperature also allows an anti-scalding safety feature for the maximum comfort to the user.

● ANTI-SCALDING FEATURE

This thermostatic cartridge allows an anti-scalding safety feature for the maximum comfort to the user. In case of cold water supply failure, the valve automatically shutdowns the waterflow.

● BURST PRESSURE

Withstands a burst pressure up to 35bar.

● HIGH STABILITY MATERIALS

High stability thermoplastic materials help reducing limescale.

● LEAD FREE

Lead free and chloramine resistant options.

● DIFFERENT CERTIFIED VERSIONS

We have adapted our TM006 materials to create new versions according to 4MS, NSF, ACS, WRAS or KTW regulation in acceptance of metallic materials used for products in contact with drinking water, using authorised materials.

● SLIM VERSION

TM006 K reduced diameter makes it easier to fit in slim applications and the manufacturer has wider design options.

● CLICK VERSION

The TM006 K includes a click on the lever that indicates to the user the change of the set temperature.

● DOUBLE LIFE CYCLE

TM006 K has 2x EN-111 cycles, allowing the cartridge and the system to have a longer life.

TM006 K

REF.07TM0608 (STD)



RECOMMENDED APPLICATIONS



BATH-SHOWERS

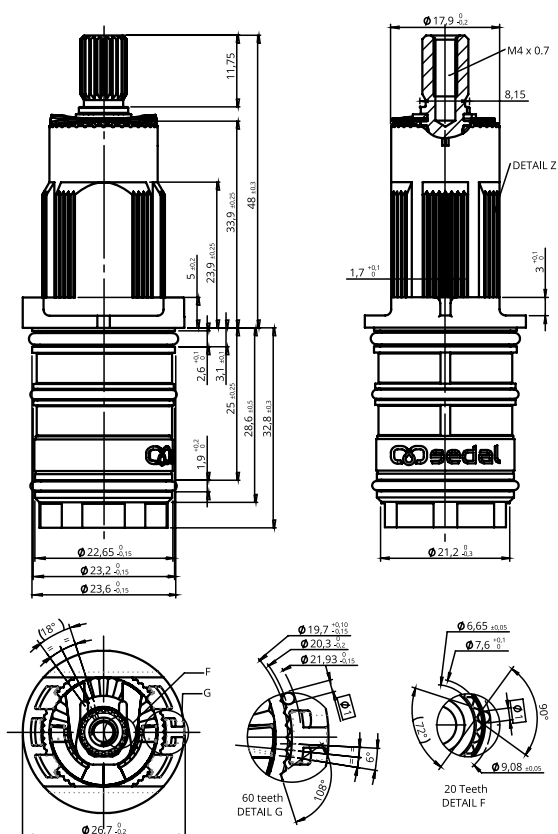
Specially designed for bath showers.

CERTIFICATIONS*



* Ready for KTW

DIMENSIONS



TECHNICAL SPECIFICATIONS

General	TM006 K
Standards*	EN-1111 ASSE#1016 GB QB/T2806
Burst pressure	>35 bar
2x Life cycle - EN-1111 ASSE#1016	100,000 cycles 100,000 cycles
Max. hot water	90°C
Noise level	17,8 - 21,1 dB
Operation torque	TM006 K
Turn left-right	0.03 - 0.18 Nm
Sensitivity (36-40°C) (handle 20mm)	27-31 mm
Cold water supply failure test	Perfect cutting
Flow rate (free flow)	TM006 K
at 0.1 bar	3 l/min
at 0.5 bar	7.8 l/min
at 3 bar	21 l/min
at 5 bar	26.4 l/min

* Different references. The compliance of standards does not only depend on the thermostatic cartridge but also on the construction of the faucet body and other elements.

* Find machining requirements on pages 186-187.

Only applies to officially listed products.
Tested at Sedal's lab with Sedal's standard faucet

THERMOSTATIC

TM006 BASIC

DESCRIPTION

Smaller basic thermostatic cartridge, combining entry-level product with high-reliability.

FEATURES



THERMOSTATIC

Thermostatic functions allow water delivery at the desired temperature.



ECO

Cartridges identified with an ECO icon offer at least one environmental sustainability feature.



LEAD FREE

Suitable for low-lead applications.

ADVANTAGES

● TEMPERATURE CONTROL

TM006 BASIC is a thermostatic regulation system that allows the user to set and easily adjust the desired temperature of the shower, while ensuring the steadiest mixed outlet water temperature. This control of the outlet temperature also allows an anti-scalding safety feature for the maximum comfort to the user.

● ANTI-SCALDING FEATURE

This thermostatic cartridge allows an anti-scalding safety feature for the maximum comfort to the user. In case of cold water supply failure, the valve automatically shuts down the waterflow.

● BURST PRESSURE

Withstands a burst pressure up to 25bar.

● HIGH STABILITY MATERIALS

High stability thermoplastic materials help reducing limescale.

● LEAD FREE

Lead free and chloramine resistant options.

● SLIM VERSION

TM006 BASIC reduced diameter makes it easier to fit in slim applications and the manufacturer has wider design options.

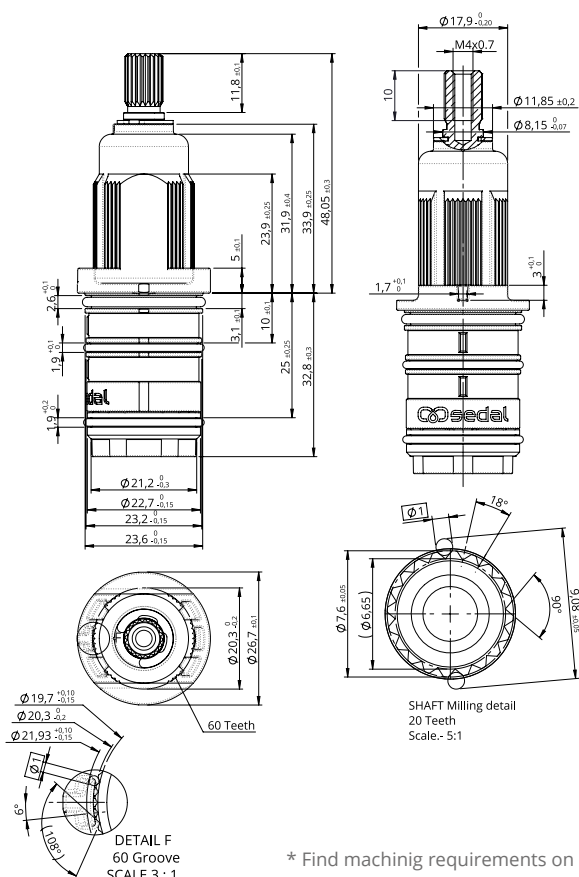
TM006 BASIC

REF.07TM0607



DOWNLOAD DATA SHEET

DIMENSIONS



RECOMMENDED APPLICATIONS



BATH-SHOWERS
Specially designed for bath showers.

CERTIFICATIONS *



TECHNICAL SPECIFICATIONS

General	TM006/ NSF/ 4MS
Standards*	EN-1111 GB QB/T2806
Burst pressure	>25 bar
Life cycle - EN-1111	50,000 cycles
Max. hot water	90°C
Noise level	17.8 - 21.1 dB

Operation torque	TM006/ NSF/ 4MS
Turn left-right	0.03 - 0.18 Nm
Sensitivity (36-40°C) (handle 20mm)	18-21 mm
Cold water supply failure test	Perfect cutting

Flow rate (free flow)	TM006 / TM001 4MS
at 0.1 bar	3 l/min
at 0.5 bar	7 l/min
at 3 bar	20 l/min
at 5 bar	26.4 l/min

* Different references. The compliance of standards does not only depend on the thermostatic cartridge but also on the construction of the faucet body and other elements.

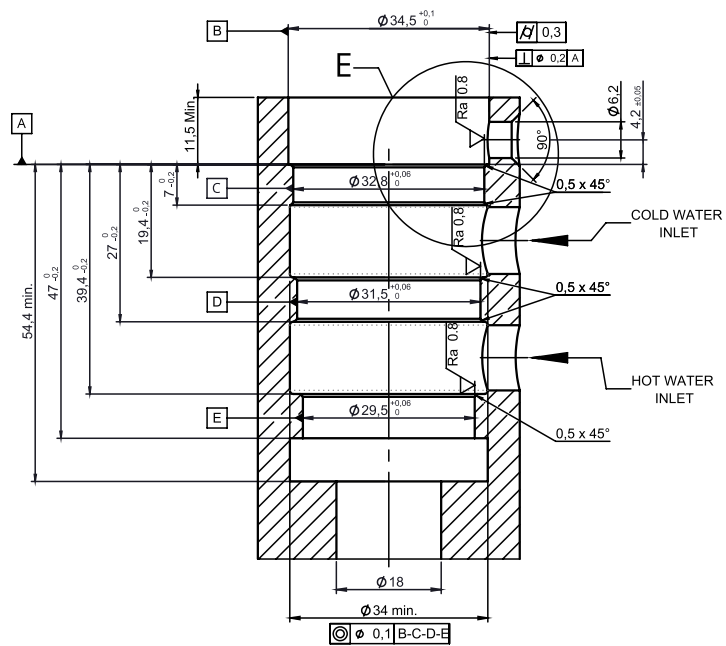
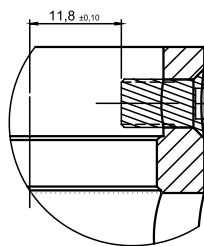
* Find machining requirements on pages 186-187.

Only applies to officially listed products.
Tested at Sedal's lab with Sedal's standard faucet

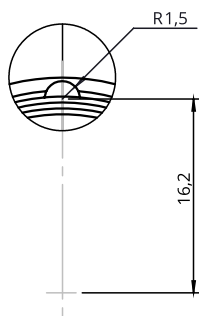
MACHINING REQUIREMENTS

CHART OF MACHINING REQUIREMENTS

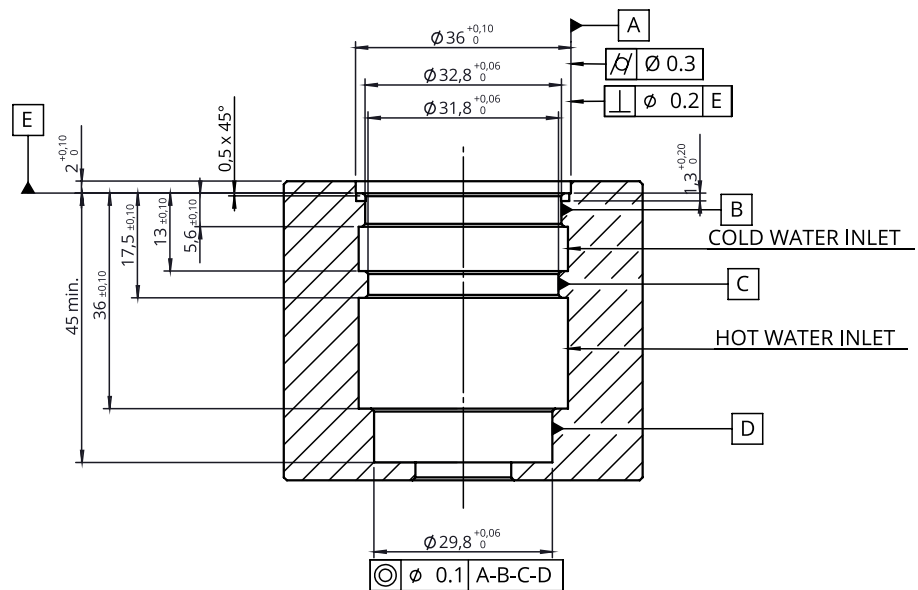
DIAMETER	CARTRIDGE	REFERENCE	PAGE	MACHINING TIP
34 mm	TM001	07TM00100	170	
	TM001 HP	07TM0102	172	
	TM001 LP	07TM0131	174	
	TM001 BASIC	07TM0119	176	



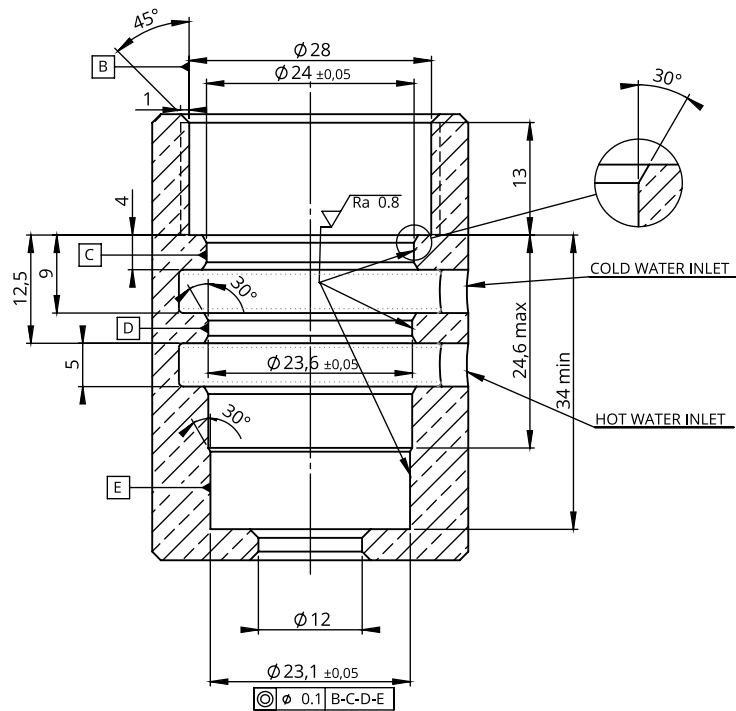
DIAMETER	CARTRIDGE	REFERENCE	PAGE	MACHINING TIP
34 mm	TM001 C	07TM0112	178	



DETALLE H
ESCALA 2 : 1



DIAMETER	CARTRIDGE	REFERENCE	PAGE	MACHINING TIP
	TM006	07TM0101	180	
27 mm	TM006 K	07TM0606	182	
	TM006 BASIC	07TM0607	184	







CERAMIC HEADWORKS

Complete range of ceramic headworks with plastic, brass or inox bodies suitable for all applications in which high performance valves are required, withstanding great mechanical requirements and providing the same water flow. Plastic versions are suitable for low-lead applications.

BRASS HEADWORKS

19MC 90°

DESCRIPTION

Complete range of ceramic headworks with brass bodies suitable for all applications in which high performance valves are required, withstanding great mechanical requirements and providing the same water flow.

FEATURES



ROTATION ANGLE

Headwork with 90° rotation angle.

ADVANTAGES

- *LONG LIFE CYCLE*
1.000.000 ASME cycles life test.
- *COMPLETE RANGE*
Complete range of ceramic and conventional headworks.
- *BODY MATERIALS*
High-resistant thermoplastics, brass and stainless steel bodies available.
- *VERSIONS*
Right and left to close versions and different rotation angles (90° and 180°)
- *DIFFERENT LENGTH SHAFTS*
Sedal offers a wide range of length shafts that the client can customize depending on its needs. It is also possible to design other shaft geometries.
- *OEM CUSTOMIZATION*
Sedal offers to the manufacturer the possibility of designing and producing OEM headworks that meet their specific requirements and needs.

19MC 90°

REF.19MC01 (right-blue)
REF.19MC04 (left-red)



19MC 90° 2S

REF.19MC09L19



RECOMMENDED APPLICATIONS



WASHBASINS

Specially designed for washbasins.



BATH-SHOWERS

Specially designed for bath showers.



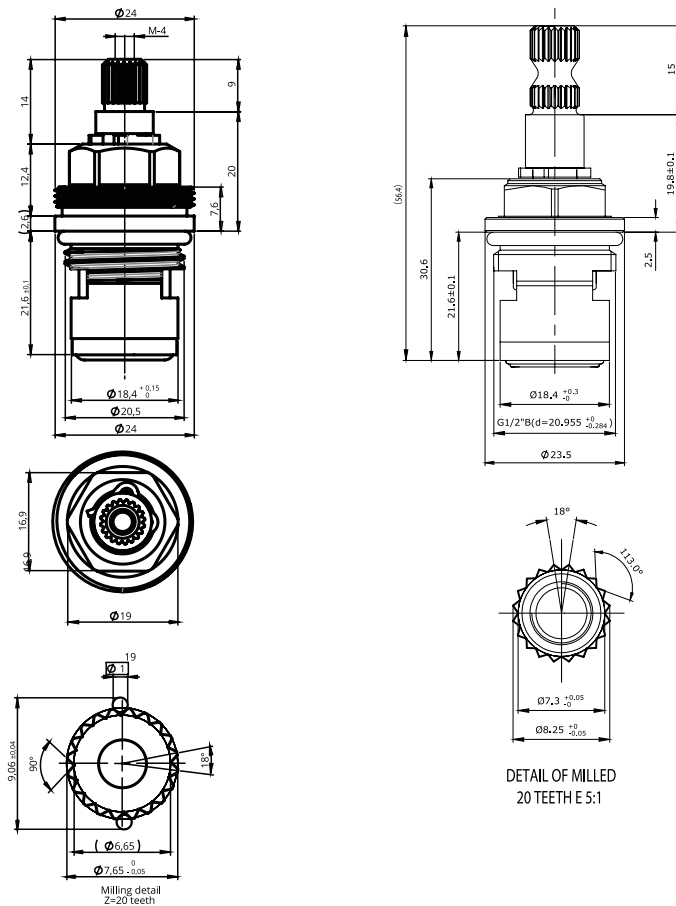
KITCHENS

Suitable for use in kitchens.

CERTIFICATIONS



DIMENSIONS



TECHNICAL SPECIFICATIONS

General	19MC 90°	19MC 90° 2S
Installation torque (recommended)	10-12 Nm	10-12 Nm
Rotation angle	90°	90°
Working pressure (recommended)	1-5 bar	1-5 bar
Pressure resistance - ASME A 112	35 bar	35 bar
Burst pressure	>50 bar	>50 bar
Life cycle - EN 200 ASME A112	200,000 cycles 500,000 cycles	200,000 cycles 500,000 cycles
Max. hot water	90°C	90°C

Operation Torque	19MC 90°	19MC 90° 2S
Turn left-right	0.100-0.200 Nm	0.100-0.200 Nm

Flow rate (free flow)	19MC 90°	19MC 90° 2S
at 0.1 bar	3.8 l/min	3.8 l/min
at 1 bar	13.5 l/min	13.5 l/min
at 3 bar	23.9 l/min	23.9 l/min
at 5 bar	30.8 l/min	30.8 l/min

* Find machining requirements on page 201.
Only applies to officially listed products.
Tested at Sedal's lab with Sedal's standard faucet

BRASS HEADWORKS

19MC 90°

SQ

REF.19MC090L20

REF.19MC090R29



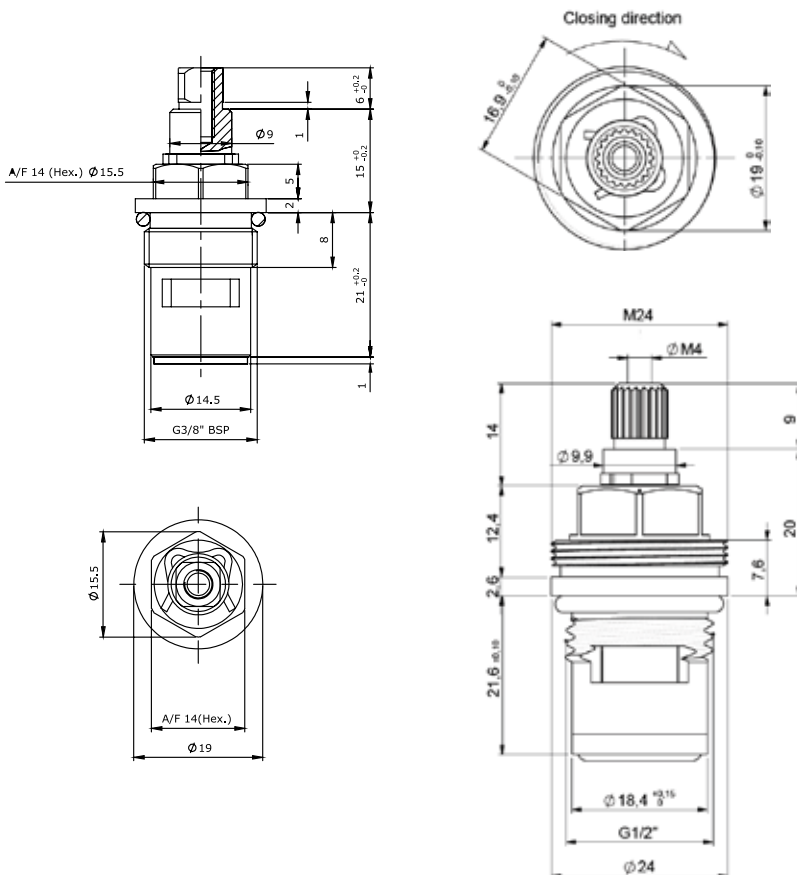
19MC 90°

3/4

REF.19MC090R64



DIMENSIONS



DESCRIPTION

Complete range of ceramic headworks with brass bodies suitable for all applications in which high performance valves are required, withstanding great mechanical requirements and providing the same water flow.

FEATURES



ROTATION ANGLE

Headwork with 90° rotation angle.

ADVANTAGES

Sedal offers a wide range of length shafts that the client can customize depending on its needs. It is also possible to design other shaft geometries.

RECOMMENDED APPLICATIONS



CERTIFICATIONS



TECHNICAL SPECIFICATIONS

General	19MC 90° SQ	19MC 90° 3/4
Installation torque (recommended)	10-12 Nm	10-12 Nm
Rotation angle	90°	90°
Working pressure (recommended)	1-5 bar	1-5 bar
Pressure resistance - EN 200	25 bar	25 bar
Burst pressure	>50 bar	>50 bar
Life cycle - EN 200	200,000 cycles	200,000 cycles
Max. hot water	90°C	90°C

Operation Torque	19MC 90° SQ	19MC 90° 3/4
Turn left-right	0.100-0.200 Nm	0.100-0.200 Nm

Flow rate (free flow)	19MC 90° SQ	19MC 90° 3/4
at 0.1 bar	2.7 l/min	4.4 l/min
at 1 bar	10.9 l/min	14.5 l/min
at 3 bar	18.5 l/min	25.9 l/min
at 5 bar	25 l/min	-

* Find machining requirements on page 201.

Only applies to officially listed products.

Tested at Sedal's lab with Sedal's standard faucet

19MC 90°

C

REF.19MC090L21



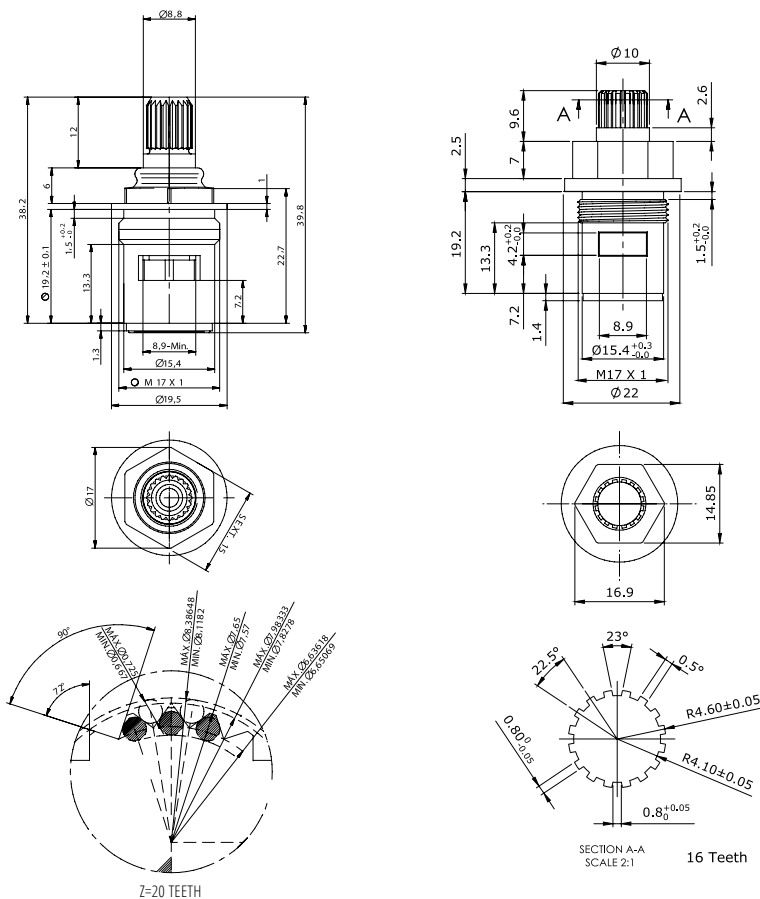
19MC 90°

WH

REF.19MC090R30



DIMENSIONS



DESCRIPTION

Complete range of ceramic headworks with brass bodies suitable for all applications in which high performance valves are required, withstanding great mechanical requirements and providing the same water flow.

FEATURES



ROTATION ANGLE

Headwork with 90° rotation angle.

ADVANTAGES

Sedal offers a wide range of length shafts that the client can customize depending on its needs. It is also possible to design other shaft geometries.

RECOMMENDED APPLICATIONS



CERTIFICATIONS



TECHNICAL SPECIFICATIONS

General	19MC 90° C	19MC 90° WH
Installation torque (recommended)	10-12 Nm	10-12 Nm
Rotation angle	90°	90°
Working pressure (recommended)	1-5 bar	1-5 bar
Pressure resistance - EN 200	25 bar	25 bar
Burst pressure	>50 bar	>50 bar
Life cycle - EN 200	200,000 cycles	200,000 cycles
Max. hot water	90°C	90°C

Operation Torque	19MC 90° C	19MC 90° WH
Turn left-right	0.100-0.200 Nm	0.100-0.200 Nm

Flow rate (free flow)	19MC 90° C	19MC 90° WH
at 0.1 bar	3 l/min	3 l/min
at 1 bar	11.8 l/min	11.8 l/min
at 3 bar	21.7 l/min	21.7 l/min
at 5 bar	28.1 l/min	28.1 l/min

* Find machining requirements on page 201.
Only applies to officially listed products.
Tested at Sedal's lab with Sedal's standard faucet

BRASS HEADWORKS

19MC 180°

REF. 19MC03 (Right-Blue)
REF. 19MC05 (Left-Red)



DOWNLOAD
DATA SHEET

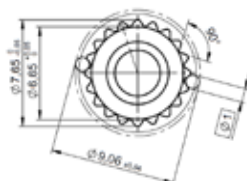
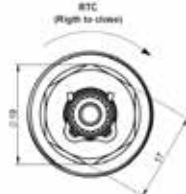
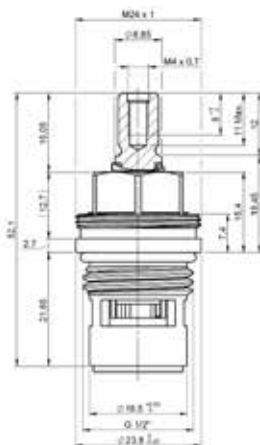
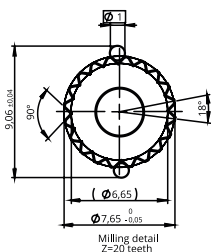
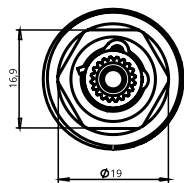
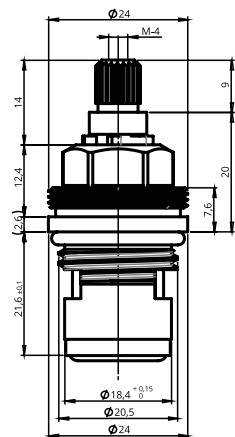
19MC 2 180°

REF. 19MC018R08



DOWNLOAD
DATA SHEET

DIMENSIONS



DESCRIPTION

Complete range of ceramic headworks with brass bodies suitable for all applications in which high performance valves are required, withstanding great mechanical requirements and providing the same water flow.

FEATURES



ROTATION ANGLE
Headwork with 180° rotation angle.

ADVANTAGES

Sedal offers a wide range of length shafts that the client can customize depending on its needs. It is also possible to design other shaft geometries.

RECOMMENDED APPLICATIONS



CERTIFICATIONS



TECHNICAL SPECIFICATIONS

General	19MC 180°	19MC 2 180°
Installation torque (recommended)	10-12 Nm	10-12 Nm
Rotation angle	180°	180°
Working pressure (recommended)	1-5 bar	1-5 bar
Pressure resistance - ASME A 112	35 bar	35 bar
Burst pressure	>50 bar	>50 bar
Life cycle - EN 200 ASME A112	200,000 cycles	200,000 cycles
	500,000 cycles	500,000 cycles
Max. hot water	90°C	90°C
Operation Torque	19MC 180°	19MC 2 180°
Turn left-right	0.100-0.200 Nm	0.100-0.200 Nm
Flow rate (free flow)	19MC 180°	19MC 2 180°
at 0.1 bar	3.8 l/min	5.8 l/min
at 1 bar	13.5 l/min	13.6 l/min
at 3 bar	23.9 l/min	24.0 l/min
at 5 bar	30.8 l/min	-

* Find machining requirements on page 201.
Only applies to officially listed products.
Tested at Sedal's lab with Sedal's standard faucet

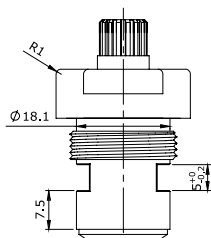
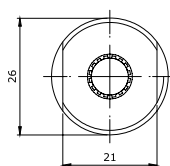
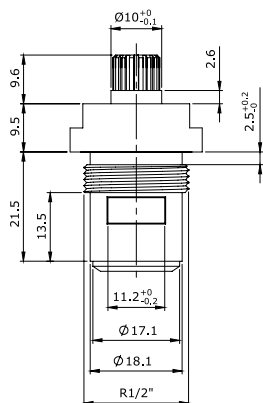
19MC 90°

FH CHROMED

REF.19MC090R32



DIMENSIONS



DESCRIPTION

Complete range of ceramic headworks with chromed brass bodies suitable for all applications in which high performance valves are required, withstanding great mechanical requirements and providing the same water flow.

FEATURES



ROTATION ANGLE
Headwork with 90° rotation angle.

ADVANTAGES

Sedal offers a wide range of length shafts that the client can customize depending on its needs. It is also possible to design other shaft geometries.

RECOMMENDED APPLICATIONS



CERTIFICATIONS



TECHNICAL SPECIFICATIONS

General	19MC 90° FH
Installation torque (recommended)	10-12 Nm
Rotation angle	90°
Working pressure (recommended)	1-5 bar
Pressure resistance - ASME A 112	25 bar
Burst pressure	-
Life cycle - EN 200 ASME A112	200,000 cycles
Max. hot water	90°C
Operation Torque	19MC 90° FH
Turn left-right	0.100-0.200 Nm
Flow rate (free flow)	19MC 90° FH
at 0.1 bar	3.8 l/min
at 1 bar	13.5 l/min
at 3 bar	23.9 l/min
at 5 bar	30.8 l/min

* Find machining requirements on page 201.
Only applies to officially listed products.
Tested at Sedal's lab with Sedal's standard faucet

BRASS

CONVENTIONAL HEADWORKS

DESCRIPTION

Complete range of conventional headworks with brass bodies suitable for all applications in which high performance valves are required, withstanding great mechanical requirements and providing the same water flow.

FEATURES



CONVENTIONAL HEADWORK

Headwork with conventional movement

ADVANTAGES

Sedal offers a wide range of length shafts that the client can customize depending on its needs. It is also possible to design other shaft geometries.

19MN

REF. 19MN01



DOWNLOAD
DATA SHEET

19MN LS

REF. 19MN015



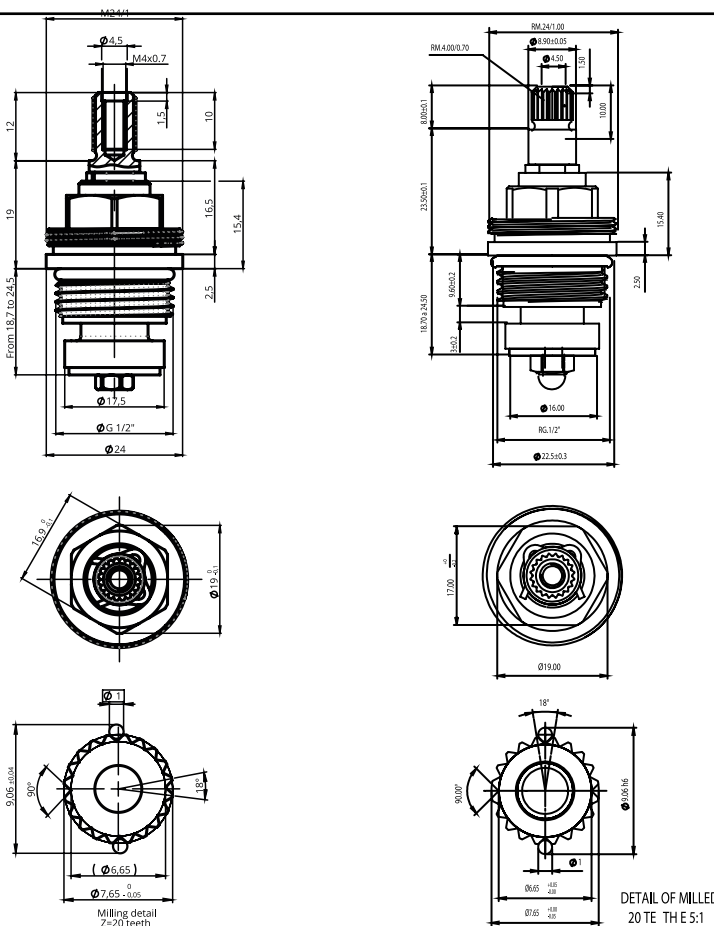
RECOMMENDED APPLICATIONS



CERTIFICATIONS

ACS

DIMENSIONS



TECHNICAL SPECIFICATIONS

General	19MN	19MN LS
Installation torque (recommended)	10-12 Nm	10-12 Nm
Working pressure (recommended)	1-5 bar	1-5 bar
Pressure resistance - EN 200	25 bar	25 bar
Burst pressure	>50 bar	>50 bar
Life cycle - EN 200	200,000 cycles	200,000 cycles
Max. hot water	90°C	90°C

Operation Torque	19MN	19MN LS
Turn left-right	0.100-0.200 Nm	0.100-0.200 Nm

Flow rate (free flow)	19MN	19MN LS
at 0.1 bar	4.5 l/min	4.5 l/min
at 1 bar	16.3 l/min	16.3 l/min
at 3 bar	29 l/min	29 l/min
at 5 bar	35.5 l/min	35.5 l/min

* Find machining requirements on page 201.
Only applies to officially listed products.
Tested at Sedal's lab with Sedal's standard faucet

STAINLESS STEEL HEADWORKS

19MC 90°

DESCRIPTION

Complete range of ceramic headworks with stainless steel bodies suitable for all applications in which high performance valves are required, withstanding great mechanical requirements and providing the same water flow.

FEATURES



ROTATION ANGLE

Headwork with 90° rotation angle.

ADVANTAGES

- *LONG LIFE CYCLE*
500.000 ASME cycles life test.
- *COMPLETE RANGE*
Complete range of ceramic and conventional headworks.
- *BODY MATERIALS*
High-resistant thermoplastics, brass and stainless steel bodies available.
- *VERSIONS*
Right and left to close versions and different rotation angles (90° and 180°)
- *DIFFERENT LENGTH SHAFTS*
Sedal offers a wide range of length shafts that the client can customize depending on its needs. It is also possible to design other shaft geometries.
- *OEM CUSTOMIZATION*
Sedal offers to the manufacturer the possibility of designing and producing OEM headworks that meet their specific requirements and needs.

19MC 90°

IX

REF.19MC090R33



19MC 90°

IX LS

REF.19MC090R34



RECOMMENDED APPLICATIONS



WASHBASINS

Specially designed for washbasins.



BATH-SHOWERS

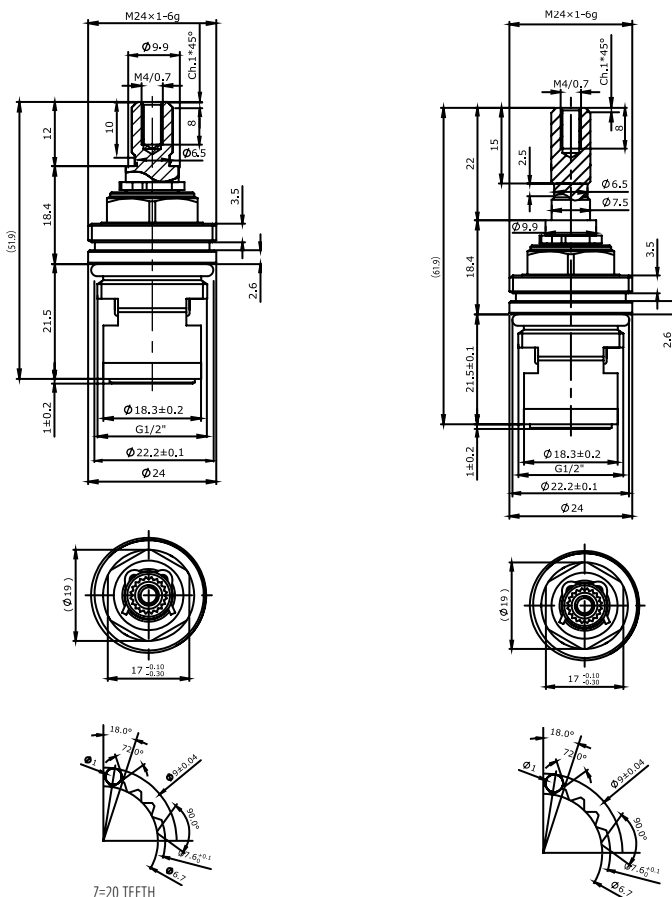
Specially designed for bath showers.



KITCHENS

Suitable for use in kitchens.

DIMENSIONS



TECHNICAL SPECIFICATIONS

General	19MC 90° IX	19MC 90° IX LS
Installation torque (recommended)	10-12 Nm	10-12 Nm
Rotation angle	90°	90°
Working pressure (recommended)	1-5 bar	1-5 bar
Pressure resistance - ASME A 112	35 bar	35 bar
Burst pressure	>50 bar	>50 bar
Life cycle - EN 200 ASME A112	200,000 cycles	200,000 cycles
Max. hot water	90°C	90°C

Operation Torque	19MC 90° IX	19MC 90° IX LS
Turn left-right	0.100-0.200 Nm	0.100-0.200 Nm

Flow rate (free flow)	19MC 90° IX	19MC 90° IX LS
at 0.1 bar	3.8 l/min	3.8 l/min
at 1 bar	13.5 l/min	13.5 l/min
at 3 bar	23.9 l/min	23.9 l/min
at 5 bar	30.8 l/min	30.8 l/min

* Find machining requirements on page 201.
Only applies to officially listed products.
Tested at Sedal's lab with Sedal's standard faucet

PLASTIC HEADWORKS

19MCP 90°

DESCRIPTION

Complete range of ceramic headworks with plastic bodies suitable for all applications in which high performance valves are required, withstanding great mechanical requirements and providing the same water flow.

FEATURES



LEAD FREE

Suitable for low-lead applications.



ROTATION ANGLE

Headwork with 90° rotation angle.

ADVANTAGES

- *LONG LIFE CYCLE*
1.000.000 ASME cycles life test.
- *COMPLETE RANGE*
Complete range of ceramic and conventional headworks.
- *BODY MATERIALS*
High-resistant thermoplastics, brass and stainless steel bodies available.
- *LEAD FREE*
Chloramine resistant lead free brass body and stem options. Plastic versions are suitable for low-lead applications.
- *VERSIONS*
Right and left to close versions and different rotation angles (90° and 180°)
- *DIFFERENT LENGTH SHAFTS & GEOMETRIES*
Sedal offers a wide range of length shafts that the client can customize depending on its needs. It is also possible to design other shaft geometries.
- *OEM CUSTOMIZATION*
Sedal offers to the manufacturer the possibility of designing and producing OEM headworks that meet their specific requirements and needs.

19MCP 90°

REF.19MCP90R01 (right-blue)
REF.19MCP90L01 (left-red)



19MCP 90° LS

REF.19MCP90R18 (right-blue)
REF.19MCP90L13 (left-red)



RECOMMENDED APPLICATIONS



WASHBASINS
Specially designed for washbasins.



BATH-SHOWERS
Specially designed for bath showers.



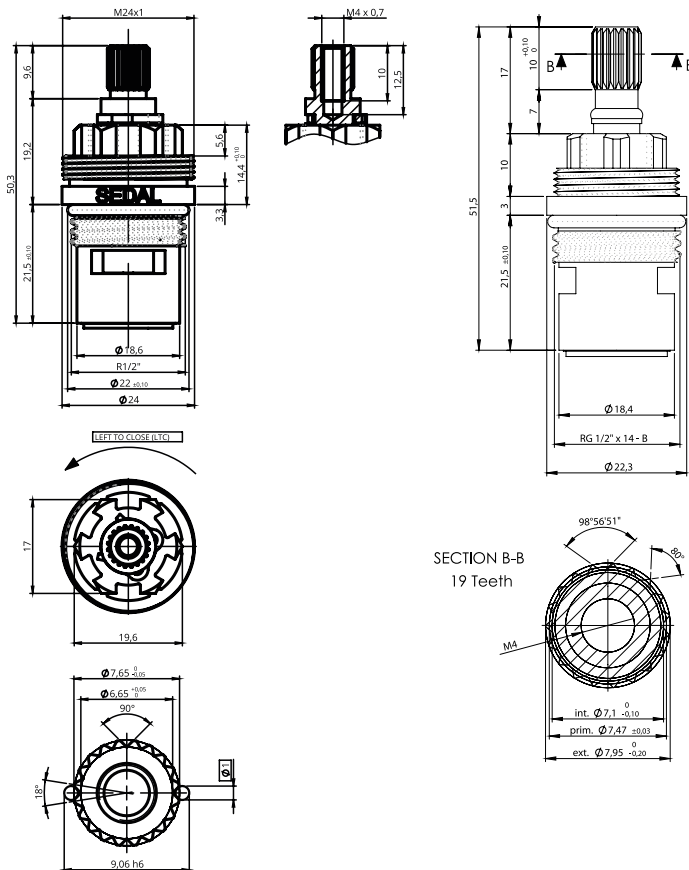
KITCHENS
Suitable for use in kitchens.

CERTIFICATIONS



* Ready for KTW

DIMENSIONS



Milling detail
z=20 teeth
Scale - 5:1

TECHNICAL SPECIFICATIONS

General	19MCP 90°	19MCP 90° LS
Installation torque (recommended)	8-10 Nm	8-10 Nm
Rotation angle	90°	90°
Working pressure (recommended)	1-5 bar	1-5 bar
Pressure resistance - ASME A 112	35 bar	35 bar
Life cycle - EN 200 ASME A112	200,000 cycles	200,000 cycles
Max. hot water	90°C	90°C

Operation Torque	19MCP 90°	19MCP 90° LS
Turn left-right	0.100-0.200 Nm	0.100-0.200 Nm

Flow rate (free flow)	19MCP 90°	19MCP 90° LS
at 0.1 bar	3.6 l/min	3.6 l/min
at 1 bar	12.7 l/min	12.7 l/min
at 3 bar	22.4 l/min	22.4 l/min
at 5 bar	29.1 l/min	29.1 l/min

* Find machining requirements on page 201.
Only applies to officially listed products.
Tested at Sedal's lab with Sedal's standard faucet

PLASTIC HEADWORKS

19MCP 180°

REF.19MCP18R01 (right-blue)

REF.19MCP18L01 (left-red)



DOWNLOAD DATA SHEET

19MCP 180°

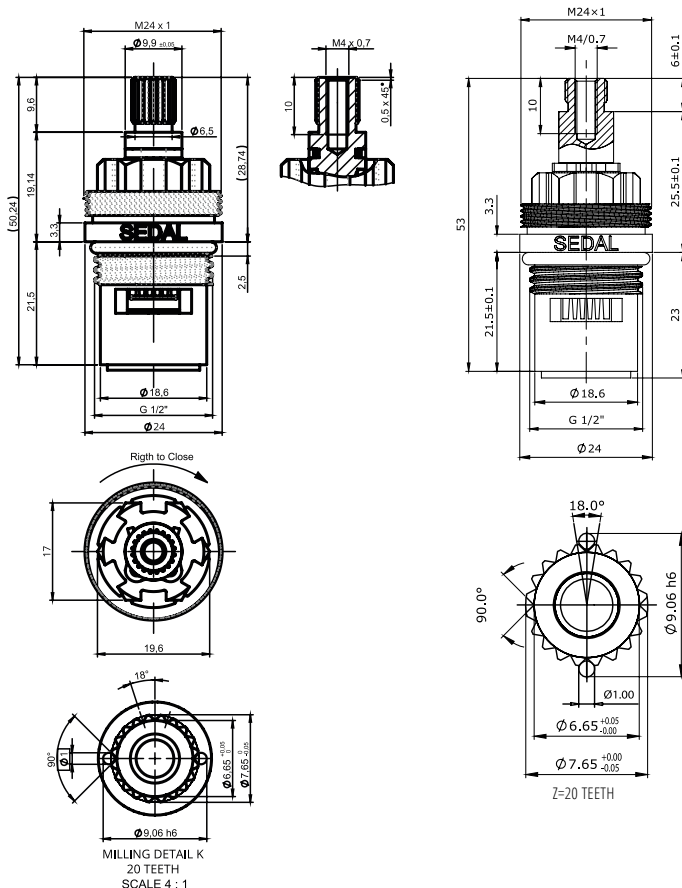
LS

REF.19MCP18R09 (right-blue)

REF.19MCP18L04 (left-red)



DIMENSIONS



DESCRIPTION

Complete range of ceramic headworks with plastic bodies suitable for all applications in which high performance valves are required, withstanding great mechanical requirements and providing the same water flow.

FEATURES



LEAD FREE

Suitable for low-lead applications.



ROTATION ANGLE

Headwork with 180° rotation angle.

ADVANTAGES

Sedal offers a wide range of length shafts that the client can customize depending on its needs. It is also possible to design other shaft geometries.

RECOMMENDED APPLICATIONS



CERTIFICATIONS



* Ready for KTW

TECHNICAL SPECIFICATIONS

General	19MCP 180°	19MCP 180° LS
Installation torque (recommended)	8-10 Nm	8-10 Nm
Rotation angle	180°	180°
Working pressure (recommended)	1-5 bar	1-5 bar
Pressure resistance - ASME A 112	35 bar	35 bar
Life cycle - EN 200 ASME A112	200,000 cycles	200,000 cycles
Max. hot water	90°C	90°C

Operation Torque	19MCP 180°	19MCP 180° LS
Turn left-right	0.100-0.200 Nm	0.100-0.200 Nm

Flow rate (free flow)	19MCP 180°	19MCP 180° LS
at 0.1 bar	3.8 l/min	3.8 l/min
at 1 bar	13.4 l/min	13.4 l/min
at 3 bar	23.3 l/min	23.3 l/min
at 5 bar	30.2 l/min	30.2 l/min

* Find machining requirements on page 201.

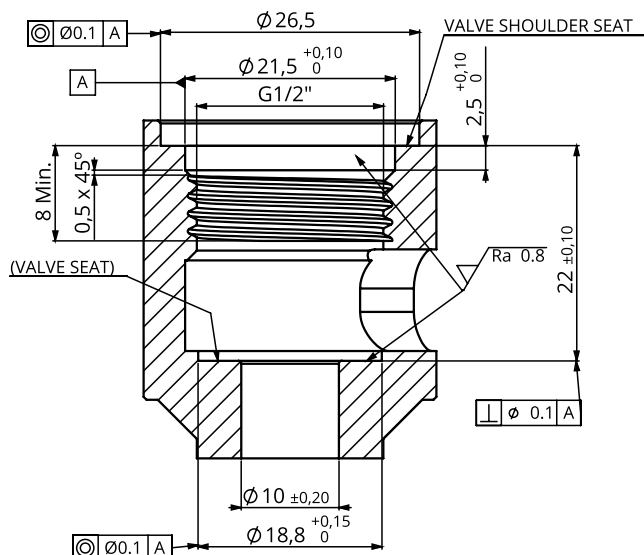
Only applies to officially listed products.

Tested at Sedal's lab with Sedal's standard faucet

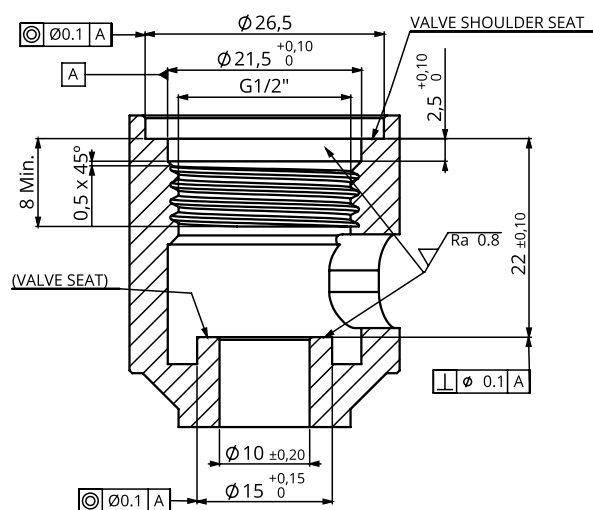
MACHINING REQUIREMENTS

CHART OF MACHINING REQUIREMENTS

PRODUCT	REFERENCE	PAGE	MACHINING TIP
19MCP 90°	19MCP90R01 (Right-Blue) 19MCP90L01 (Left-Red)	200	
19MCP 90° LS	19MCP90R18 (Right-Blue) 19MCP90L13 (Left-Red)	200	
19MCP 180°	19MCP18R01 (Right-Blue) 19MCP18L01 (Left-Red)	202	
19MCP 180° LS	19MCP18R09 (Right-Blue) 19MCP18L04 (Left-Red)	202	
19MC 90°	19MC01 (Right-Blue) 19MC04 (Left-Red)	190	
19MC 90° 2S	19MC090L19	190	
19MC 90° SQ	19MC090L20 19MC090R29	192	
19MC 90° 3/4	19MC090R64	192	
19MC 90° C	19MC090L21	193	
19MC 90° WH	19MC090R30	193	
19MC 180°	19MC03 (Right-Blue) 19MC05 (Left-Red)	194	
19MC 2 180°	19MC018R08	194	
19MC 90° IX	19MC090R33	199	
19MC 90° IX LS	19MC090R34	199	
19MC 90° FH	19MC090R32	195	



PRODUCT	REFERENCE	PAGE	MACHINING TIP
19MN	19MN01	197	
19MN LS	19MN015	197	







SHOWER DIVERTERS

Diverters with automatic return specially designed for bath showers because allows to have two different outlets while keeping slim designs.

SHOWER DIVERTERS

COMPACT

REF.09CKR00



DOWNLOAD
DATA SHEET

COMPACT

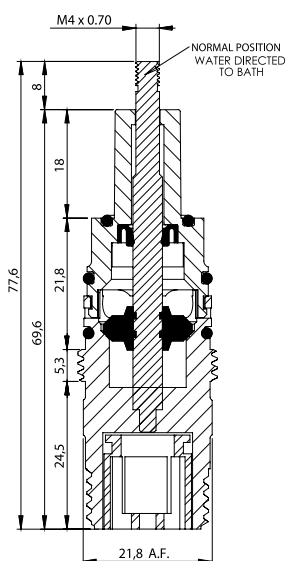
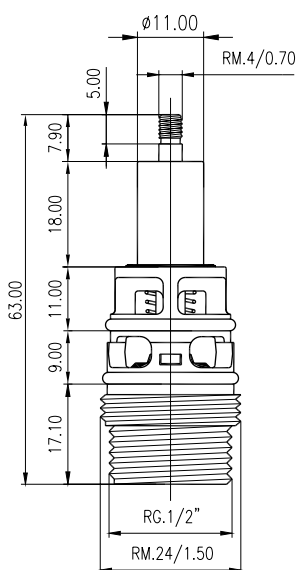
+R

REF.09CKR10



DOWNLOAD
DATA SHEET

DIMENSIONS



DESCRIPTION

These diverters with automatic return fit specially good in bath showers because allows to have two different outlets while keeping slim designs. Mixed water enters inlet 3 and exits either outlet 1 or 2.

FEATURES

2 OUTLETS
Diverter cartridge with two outlets.

RECOMMENDED APPLICATIONS



SHOWERS DIVERTERS
Specially designed for showers with diverters.

CERTIFICATIONS



TECHNICAL SPECIFICATIONS

General	Compact	Compact +R
Operative	Manual and automatic	Manual and automatic
Torque	5-8 Nm	5-8 Nm
Pressure resistance	max. 12 bar	max. 12 bar
Working pressure	12 bar	12 bar
Max. temperature	90 °C	90 °C
Endurance test	>30,000 cycles	>30,000 cycles

* Find machining requirements on page 206.
Only applies to officially listed products.
Tested at Sedal's lab with Sedal's standard faucet

SEDAL

REF.09SGCR01



DOWNLOAD
DATA SHEET

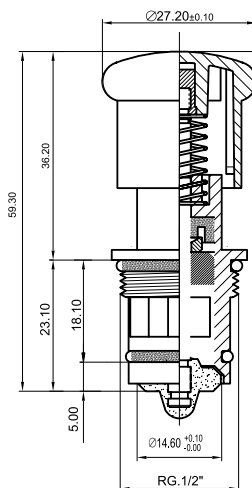
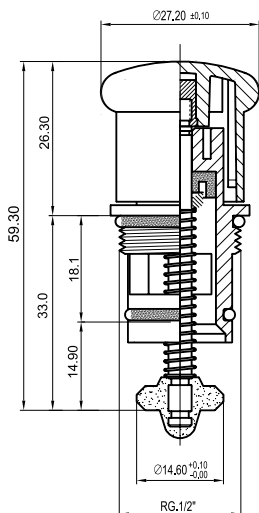
USA

REF.09TUCR00



DOWNLOAD
DATA SHEET

DIMENSIONS



DESCRIPTION

These diverters with automatic return fit specially good in bath showers because allows to have two different outlets while keeping slim designs. Mixed water enters inlet 3 and exits either outlet 1 or 2.

FEATURES



OUTLETS

Diverter cartridge with two outlets.

RECOMMENDED APPLICATIONS



SHOWERS DIVERTERS

Specially designed for showers with diverters.

TECHNICAL SPECIFICATIONS

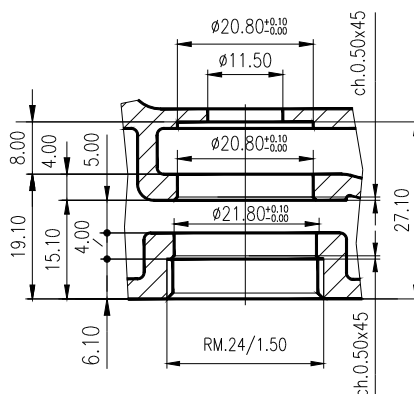
General	Sedal	USA
Operative	Manual and automatic	Manual and automatic
Torque	5-8 Nm	5-8 Nm
Pressure resistance	max. 12 bar	max. 12 bar
Working pressure	12 bar	12 bar
Max. temperature	90 °C	90 °C
Endurance test	>30,000 cycles	>30,000 cycles

* Find machining requirements on page 206.
Only applies to officially listed products.
Tested at Sedal's lab with Sedal's standard faucet

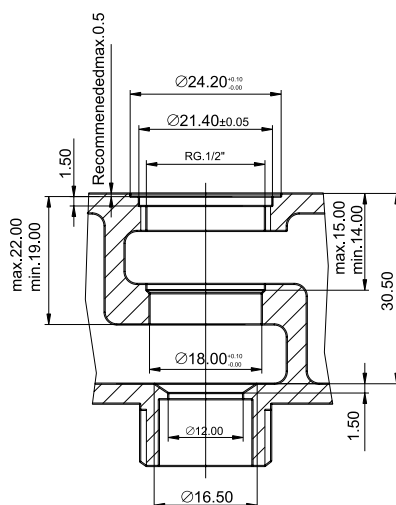
MACHINING REQUIREMENTS

CHART OF MACHINING REQUIREMENTS

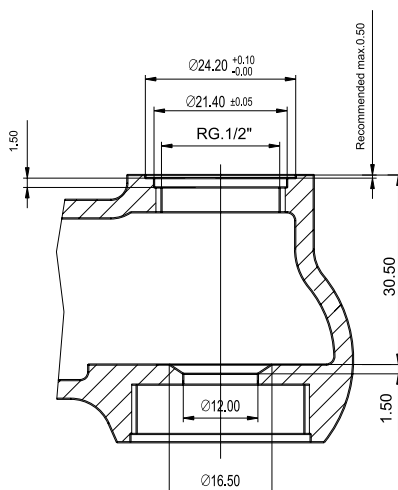
PRODUCT	REFERENCE	PAGE	MACHINING TIP
COMPACT	09CKCR00	206	
COMPACT +R	09CKCR10	206	



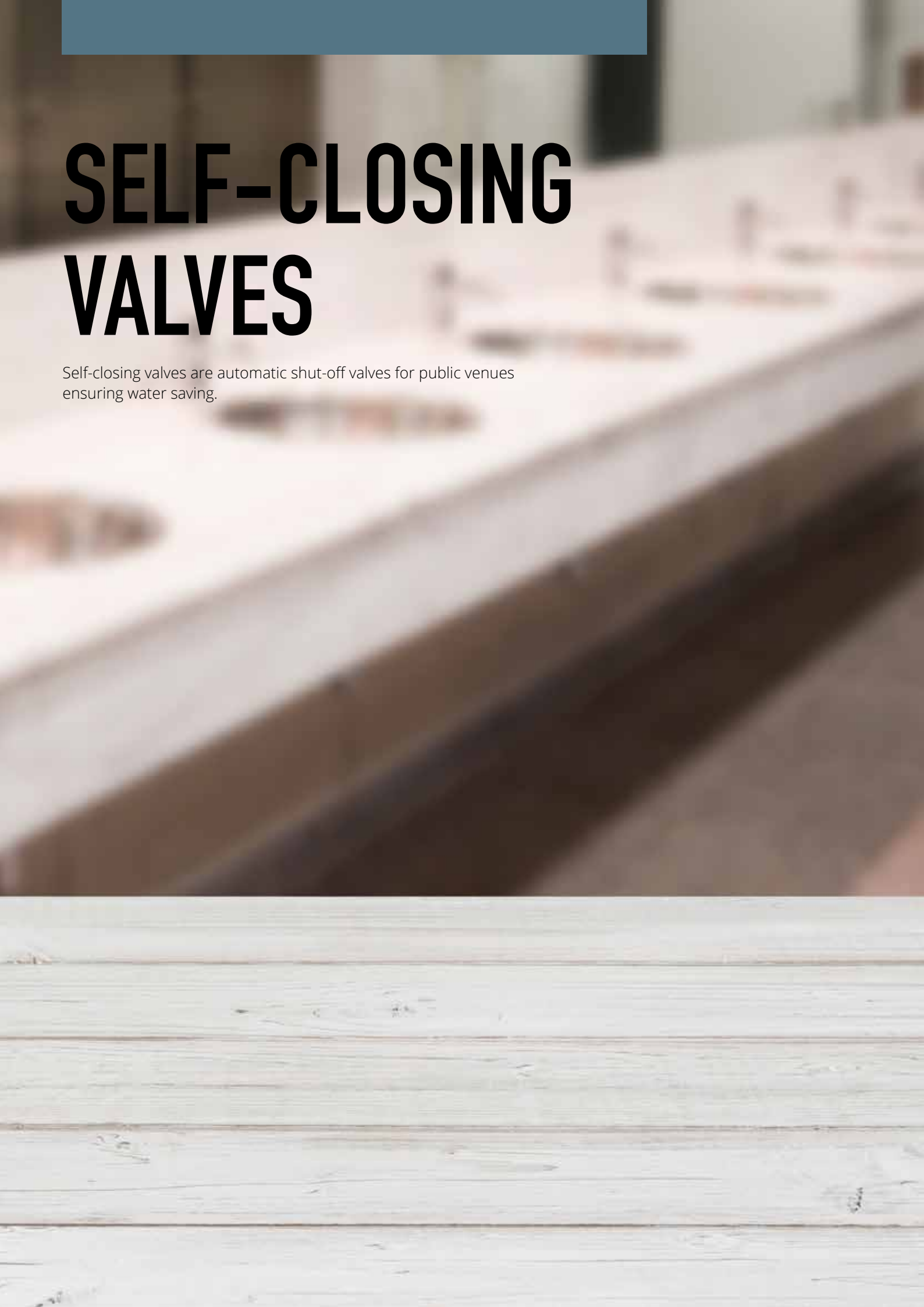
PRODUCT	REFERENCE	PAGE	MACHINING TIP
SEDAL	09SGCR01	207	



PRODUCT	REFERENCE	PAGE	MACHINING TIP
USA	09TUCR00	207	







SELF-CLOSING VALVES

Self-closing valves are automatic shut-off valves for public venues ensuring water saving.

SELF-CLOSING VALVES

URINAL

REF. 19MTU0C05



DOWNLOAD DATA SHEET

BASIN

REF. 19MTB0C05 (cold)
REF. 19MTB0H05 (mix)



DOWNLOAD DATA SHEET

OTHER VERSIONS

URINAL

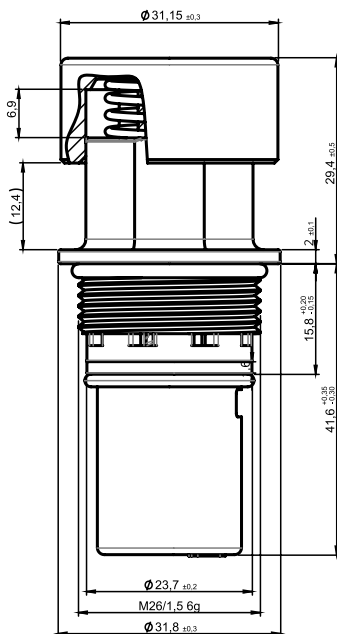
BASIN

M26

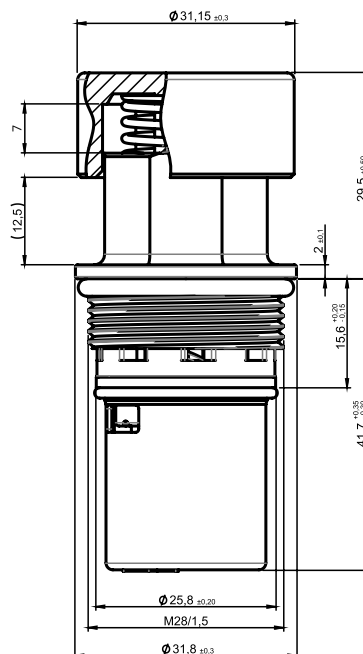
REF. 19MTU0C06

REF. 19MTB0C06 (cold)
REF. 19MTB0H06 (mix)

DIMENSIONS



M26



M28

DESCRIPTION

Metering valves are automatic shut-off valves for public venues ensuring water saving. All metering valves are available in M26 and M28.

FEATURES



ECO
Environmental sustainability feature.



AUTOMATIC SHUT-OFF
Shuts off automatically after a limited period of time.



AUTO-CLEANING
Auto-cleaning system to avoid lime scale.

RECOMMENDED APPLICATIONS



URINALS
Recommended for public urinaries.



WASHBASINS
Specially designed for public washbasins



HOTELS
Recommended for hotels



PUBLIC VENUES
Suitable for airports, schools, libraries, etc.

TECHNICAL SPECIFICATIONS

General	URINAL	BASIN
Max. working pressure	6 bar	6 bar
Burst pressure	>25 bar	>25 bar
Lyfe cycle EN-816	210.000	210.000
Flow rate at 3 bar		
Free flow (DN13 hose)	17 l/min	17 l/min
C-Restrictor (DN13 hose)	14.5 l/min	14.5 l/min
Actuation time	7 ± 3 s	15 ± 5 s

* Find machining requirements on page 212.

Only applies to officially listed products.
Tested at Sedal's lab with Sedal's standard faucet

SHOWER

REF. 19MTS0C05



DOWNLOAD
DATA SHEET

ADJUSTABLE

REF. 19MTA0C05



DOWNLOAD
DATA SHEET

DESCRIPTION

Metering valves are automatic shut-off valves for public venues ensuring water saving. All metering valves are available in M26 and M28.

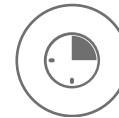
FEATURES



ECO
Environmental sustainability feature.



ADJUSTABLE
The user can limit the time of use of metering valve,



AUTOMATIC SHUT-OFF
Shuts off automatically after a limited period of time.

OTHER VERSIONS

M26

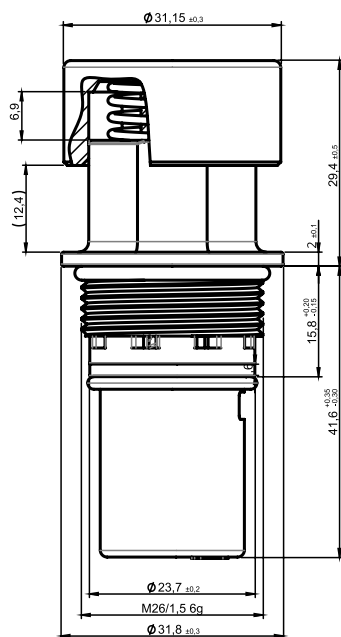
SHOWER

REF.19MTS0C06

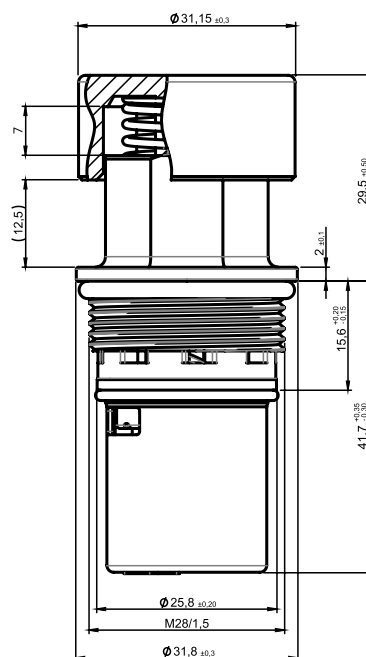
ADJUSTABLE

REF. 19MTA0C06

DIMENSIONS



M26



M28

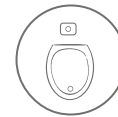
RECOMMENDED APPLICATIONS



SHOWERS
Recommended for public showers.



WASHBASINS
Specially designed for public basins.



URINALS
Recommended for public urinals.



PUBLIC VENUES
Suitable for airports, schools, libraries, etc.



HOTELS
Recommended for hotels.

TECHNICAL SPECIFICATIONS

General	SHOWER	ADJUSTABLE
Max. working pressure	6 bar	6 bar
Burst pressure	>25 bar	>25 bar
Lyfe cycle EN-816	210.000	210.000
Flow rate at 3 bar		
Free flow (DN13 hose)	17 l/min	17 l/min
C-Restrictor (DN13 hose)	14.5 l/min	14.5 l/min
Actuation time	30 ± 5 s	15 ± 5 s

* Find machining requirements on page 212.

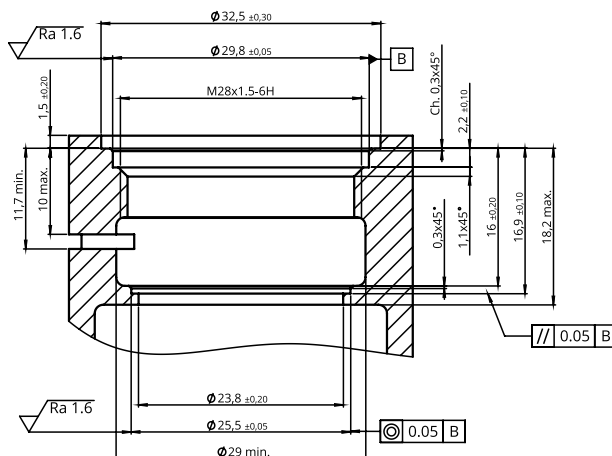
Only applies to officially listed products.
Tested at Sedal's lab with Sedal's standard faucet
*Peak or limited time condition.

MACHINING REQUIREMENTS

CHART OF MACHINING REQUIREMENTS

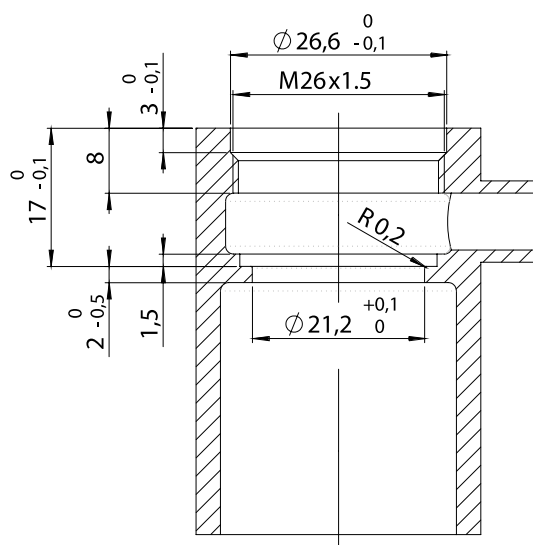
PRODUCT	REFERENCE	PAGE
URINAL	19MTU0C05	212
BASIN	19MTB0C05 (cold) 19MTB0H05 (hot)	212
SHOWER	19MTS0C05	213
ADJUSTABLE	19MTA0C05	213

MACHINING TIP



PRODUCT	REFERENCE	PAGE
URINAL	19MTU0C06	212
BASIN	19MTB0C06 (cold) 19MTB0H06 (hot)	212
SHOWER	19MTS0C06	213
ADJUSTABLE	19MTA0C06	213

MACHINING TIP



FLEXIBLE HOSES

SEDAL's flexible hoses are manufactured according to the most demanding safety standards. 100% tested, flexible hoses are available in different combinations of materials and sizes.



FLEXIBLE HOSES

FLEXIBLE HOSES FOR TAPS



STANDARD FLEXIBLE HOSES

DN8



DESCRIPTION

Flexible hoses for sanitary installations: taps, wash-basins, bidets, water heaters, water vessels, water storage tanks, solar water heaters and air conditioning.

Available as standard and under customer design and requirements of materials, length and fitting configuration.

RECOMMENDED APPLICATIONS



WASHBASINS

Specially designed for washbasins.



BATH-SHOWERS

Specially designed for bath showers.



KITCHENS

Suitable for use in kitchens.

CERTIFICATIONS



TECHNICAL SPECIFICATIONS

General	Flexible hoses for taps	Standard flexible hoses DN8
End fittings	Brass	Brass CW617N
Nuts	3/8" - 1/2"	3/8" - 1/2"
Nozzle	M-8/100 - M-10/100 18mm, 35mm, 50mm	-
Sleeve	Stainless steel	Stainless steel AISI 304
Hose	E.P.D.M. sanitary hose or PEX	E.P.D.M. sanitary hose or PEX
Mesh	Mesh in stainless steel AISI 304 wire	Mesh in stainless steel AISI 304 wire
∅ Internal diameter	6mm - 8mm	8mm
∅ External diameter	10mm - 12mm	12mm
Max. temperature	90°C	90°C
Drinking H ₂ O	Yes	Yes
Burst pressure	100 kg/cm ²	100 kg/cm ²
Work pressure	25 kg/cm ²	25 kg/cm ²
Curvature radius	35mm - 40mm	40mm
Nominal flow	20 l/min - 25 l/min	25 l/min

STANDARD FLEXIBLE HOSES

DN13



STANDARD FLEXIBLE HOSES

DN19&DN25



DESCRIPTION

Flexible hoses for sanitary installations: taps, wash-basins, bidets, water heaters, water vessels, water storage tanks, solar water heaters and air conditioning.

Available as standard and under customer design and requirements of materials, length and fitting configuration.

RECOMMENDED APPLICATIONS



WASHBASINS

Specially designed for washbasins.



BATH-SHOWERS

Specially designed for bath showers.



KITCHENS

Suitable for use in kitchens.

TECHNICAL SPECIFICATIONS

General	Standard flexible hoses DN13	Standard flexible hoses DN19 & DN25
End fittings	Brass	Brass
Nuts	1/2" - 3/4"	3/4" - 1"
Sleeve	Stainless steel	Stainless steel
Hose	E.P.D.M. sanitary hose	E.P.D.M. sanitary hose
Mesh	Mesh in stainless steel AISI 304 wire	Mesh in stainless steel AISI 304 wire
Ø Internal diameter	13mm	19mm - 25mm
Ø External diameter	19mm	27mm - 33mm
Max. temperature	90°C	90°C
Drinking H ₂ O	Yes	Yes
Burst pressure	90 kg/cm ²	-
Work pressure	15 kg/cm ²	10 kg/cm ²
Curvature radius	50mm	70mm - 100mm
Nominal flow	70 l/min	120 l/min - 200 l/min

FLEXIBLE HOSES

FLEXIBLE HOSES WITH BICONE DN8



FLEXIBLE HOSES WITH ELBOW



DESCRIPTION

Flexible hoses for sanitary installations: taps, wash-basins, bidets, water heaters, water vessels, water storage tanks, solar water heaters and air conditioning.

Available as standard and under customer design and requirements of materials, length and fitting configuration.

RECOMMENDED APPLICATIONS



WASHBASINS

Specially designed for washbasins.



BATH-SHOWERS

Specially designed for bath showers.



KITCHENS

Suitable for use in kitchens.

CERTIFICATIONS



TECHNICAL SPECIFICATIONS

General	Flexible hoses with bicone DN8	Flexible hoses with elbow			
End fittings	Brass	Brass			
Elbow	-	Brass			
Bicone	Ø 10 Ø 12 Ø 14	-			
Sleeve	Stainless steel	Stainless steel			
Hose	E.P.D.M. sanitary hose	E.P.D.M. sanitary hose			
Mesh	Mesh in stainless steel AISI 304 wire	Mesh in stainless steel AISI 304 wire			
Nuts	3/8" - 1/2"	3/8" - 1/2"	1/2" - 3/4"	3/4"	1"
Ø Internal diameter	8mm	8mm	13mm	19mm	25mm
Ø External diameter	12mm	12mm	19mm	27mm	33mm
Max. temperature	90°C	90°C	90°C	90°C	90°C
Drinking H ₂ O	Yes - No	Yes	Yes	Yes	Yes
Burst pressure	100 kg/cm ²	100 kg/cm ²	80 kg/cm ²	60 kg/cm ²	35 kg/cm ²
Work pressure	25 kg/cm ²	25 kg/cm ²	20 kg/cm ²	15 kg/cm ²	15 kg/cm ²
Curvature radius	40mm	40mm	45mm	40mm	40mm
Nominal flow	25 l/min	25 l/min	65 l/min	120 l/min	200 l/min

Only applies to officially listed products.
Tested at Sedal's lab with Sedal's standard faucet



ELECTRONICS RANGE

SEDAL'S electronic devices provide fast response, high reliability and anti-scalding safety features thanks to the combination of materials, design and high quality sensors.



SUMMUM

*SMART
THERMOSTATIC
SHOWER
SYSTEMS*

• summum •






SUMMUM · SMART THERMOSTATIC SHOWER SYSTEMS

Summum is an smart system consisting on a CPU electronic thermostatic mixer with one outlet and a touchpad to control it. It has no cartridges or small electric motors, increasing the product features and enabling a longer product life.



SEDAL system is able to operate in different conditions, even with differential pressures, avoiding the need of stabilizers.

Summum offers the maximum precision in the reading and control of consumption parameters and the absence of friction ensures great durability in daily use.




SUMMUM ONE

		PG
CPUS		CPU iSCU TH_S 10 CPU iSCU TH_SW10 226
		CPU iSCU TH_S 20 CPU iSCU TH_SW20 228
		CPU iSCU TH_S 30 CPU iSCU TH_SW30 230



		PG
INTERFACES		iSQUARE S 238
		iPLUS DOTS 240

SUMMUM

		PG
CPUS		CPU IV2 TH 20 232
		CPU IV2 TH 30 234
		CPU IV2 TH 40 236



		PG
INTERFACES		iPLUS DOTS 240

CPU ISCU TH S 1 OUTLET

THERMOSTATIC MIXER FOR SHOWERS

DESCRIPTION

Summum One is a smart system for showers consisting on a CPU electronic thermostatic mixer with one outlet and a touchpad to control it. CPU ISCU TH S is the thermostatic box with 1 outlet that controls the system.

FEATURES & FUNCTIONS

	<p>OUTLET Mixing box with one outlet.</p>		<p>WARM-UP Preheats the shower by flushing out water until the desired pre-set temperature is reached.</p>		<p>SHOWER SEQUENCES Customize and run water sequences combining temperature, flow, time and outlets.</p>		<p>LEAKAGE DETECTION Summum detects small leakages of the system.</p>
	<p>CONNECTIVITY Optional model with WiFi-bluetooth to control functionalities with an app</p>		<p>PAUSE Remembers water temperature and flow that the user was using before shampooing.</p>		<p>SHOWER SET-UP Set up parameters such as temperature, flow and time of your device.</p>		<p>ANTI-SCALDING Anti-scalding safety warning when using the shower.</p>
	<p>THERMOSTATIC Thermostatic functions allow water delivery at the desired temperature.</p>		<p>SUPER-ECO MODE The system offers an Eco mode function to save water and energy.</p>		<p>USER PROFILES Store preferred settings of temperature, flow and outlets for 3 different users.</p>		<p>THERMAL DISINFECTION Thermal disinfection in all shower outlets.</p>
	<p>FLOWSTATIC Flowstatic functions allow water delivery of the desired water quantity.</p>		<p>SMART BATH FILL Fill up your bathtub automatically at the desired temperature until reaching pre-set volume.</p>		<p>NORMALLY CLOSED In case of power outage, the system closes automatically.</p>		<p>AUTO-CLEANING Water is flushed through all outlets to avoid lime scale.</p>
	<p>START-UP System learns environmental conditions during installation.</p>		<p>CHILDREN SAFETY Set up temperature, flow, outlets and time desired for your child daily shower.</p>		<p>CONSUMPTION STATISTICS The user can see consumption of water and energy statistic via app.</p>		<p>AUTOMATIC SHUT-OFF Shower shuts off automatically after a limited period of time.</p>

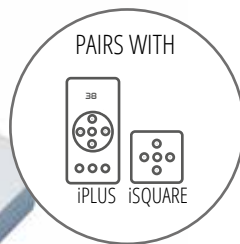
ADVANTAGES

- **APP SPECIAL FUNCTIONS ACTIVATION**
The app allows set and run the functionalities of the system.
- **CLOUD SERVICE**
The system monitor, evaluates and reports components and system conditions in a cloud platform to allow predictive diagnosis: Leverage the extracted data from your connected devices to detect and diagnose problems before they occur, helping minimize variability and rework. Cloud for OEM and cloud for final user.
- **OEM CUSTOMIZATION**
 - Pre-defined settings available under customer requirements
 - Tailor made APP layout according to OEM specifications.
- **INTELLIGENT MIXING VALVES**
Innovative thermostatic mixing technology, completely electronic. It includes electro valves and various high-precision sensors.
- **DETECTS SYSTEM & INSTALLATION WARNINGS**
Summum One provides error detection and maintenance alarms, which remain stored in memory for report generation.

CPU ISCU TH S

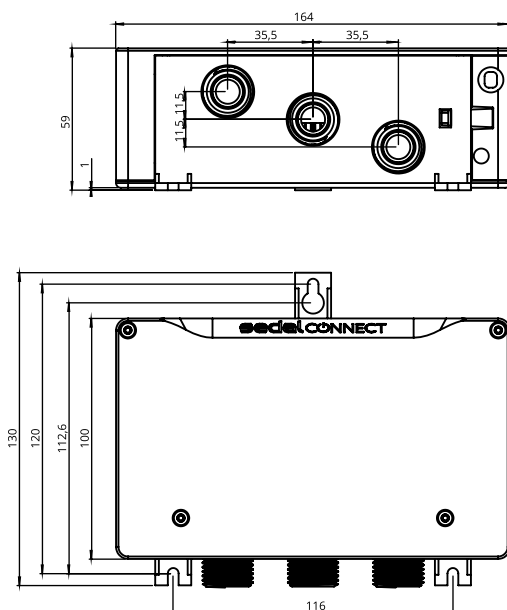
THERMOSTATIC MIXER

REF. 27EV000015
REF. 27EV000016 (WIFI)



DOWNLOAD DATA SHEET

DIMENSIONS



RECOMMENDED APPLICATIONS



SHOWERS
Recommended for eco-showers



SHOWERS COLUMN
Specially designed for shower columns



HOTELS
Recommended for hotels



HOME
Suitable for simple showers at home



PUBLIC VENUES
Suitable for airports, schools, libraries, etc.

CERTIFICATIONS



* Ready for KTW, UL and NSF.

TECHNICAL SPECIFICATIONS

General	
Technology	Patented
Maximum load	<15W / Stand by <1W *1
Rated impulse Voltage	12 V DC
Ingress Protection Rating	IP53
Hydraulic connections	1/2" & 3/8" M-GAS, John Guest
Weight	0.4 Kg

Temperature	
Recommended Input hot water range	Min. 48°C - Max.65°C
Recommended Input cold water range	Min.5°C - Max.28°C
Mixed maximum	44°C *2
Mixed minimum	Full cold

Pressure	
Maximum dynamic	6 bar
Minimum dynamic	1 bar
Recommended dynamic	3 bar
Maximum differential supply	4.5 bar
(Durability) Burst	>35 bar

Flow rate (3 bar free flow with diverter DN13)	
Cold/ Hot water	Min. 2 l/min - Max. 13 l/min
Mix flow rate	Min. 2 l/min - Max. 24 l/min

*1 without deviator (NC solenoid)

*2 up to full hot temperature on OEM demand

CPU ISCU TH S 2 OUTLETS

THERMOSTATIC MIXER FOR SHOWERS

DESCRIPTION

Summum One is an smart system for showers consisting on a CPU electronic thersmostatic mixer with one outlet and a touchpad to control it. CPU ISCU TH S 2O is the thermostatic box with 2 outlets that controls the system.

FEATURES & FUNCTIONS

	<p>OUTLET Mixing box with one outlet and one additional outlet thanks to an external valve.</p>		<p>WARM-UP Preheats the shower by flushing out water until the desired pre-set temperature is reached.</p>		<p>SHOWER SEQUENCES Customize and run water sequences combining temperature, flow, time and outlets.</p>		<p>LEAKAGE DETECTION Summum detects small leakages of the system.</p>
	<p>CONNECTIVITY Optional model with WIFI-bluetooth to control functionalities with an app</p>		<p>PAUSE Remembers water temperature and flow that the user was using before shampooing.</p>		<p>SHOWER SET-UP Set up parameters such as temperature, flow and time of your device.</p>		<p>ANTI-SCALDING Anti-scalding safety warning when using the shower.</p>
	<p>THERMOSTATIC Thermostatic functions allow water delivery at the desired temperature.</p>		<p>SUPER-ECO MODE The system offers an Eco mode function to save water and energy.</p>		<p>USER PROFILES Store preferred settings of temperature, flow and outlets for 3 different users.</p>		<p>THERMAL DISINFECTION Thermal disinfection in all shower outlets.</p>
	<p>FLOWSTATIC Flowstatic functions allow water delivery of the desired water quantity.</p>		<p>SMART BATH FILL Fill up your bathtub automatically at the desired temperature until reaching pre-set volume.</p>		<p>NORMALLY CLOSED In case of power outage, the system closes automatically.</p>		<p>AUTO-CLEANING Water is flushed through all outlets to avoid lime scale.</p>
	<p>START-UP System learns environmental conditions during installation.</p>		<p>CHILDREN SAFETY Set up temperature, flow, outlets and time desired for your child daily shower.</p>		<p>CONSUMPTION STATISTICS The user can see consumption of water and energy statistic via app.</p>		<p>AUTOMATIC SHUT-OFF Shower shuts off automatically after a limited period of time.</p>

ADVANTAGES

- **APP SPECIAL FUNCTIONS ACTIVATION**
The app allows set and run the functionalities of the system.
- **CLOUD SERVICE**
The system monitor, evaluates and reports components and system conditions in a cloud platform to allow predictive diagnosis: Leverage the extracted data from your connected devices to detect and diagnose problems before they occur, helping minimize variability and rework. Cloud for OEM and cloud for final user.
- **OEM CUSTOMIZATION**
 - Pre-defined settings available under customer requirements
 - Tailor made APP layout according to OEM specifications.
- **INTELLIGENT MIXING VALVES**
Innovative thermostatic mixing technology, completely electronic. It includes electro valves and various high-precision sensors.
- **DETECTS SYSTEM & INSTALLATION WARNINGS**
Summum One provides error detection and maintenance alarms, which remain stored in memory for report generation.

CPU ISCU TH S 20

THERMOSTATIC MIXER

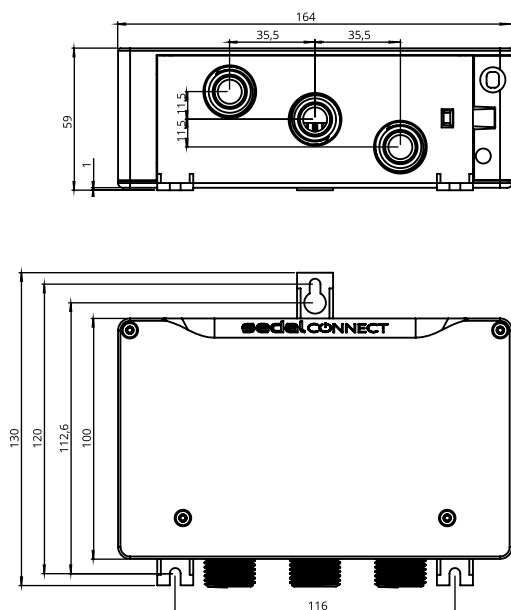
REF. 27EV000022

REF. 27EV000024 (WIFI)



DOWNLOAD DATA SHEET

DIMENSIONS



RECOMMENDED APPLICATIONS



SHOWERS
Recommended for eco-showers



SHOWERS COLUMN
Specially designed for shower columns



HOTELS
Recommended for hotels



HOME
Suitable for showers at home



PUBLIC VENUES
Suitable for airports, schools, libraries, etc.

CERTIFICATIONS



* Ready for KTW, UL and NSF.

TECHNICAL SPECIFICATIONS

General	
Technology	Patented
Maximum load	<15W / Stand by <1W *1
Rated impulse Voltage	12 V DC
Ingress Protection Rating	IP53
Hydraulic connections	1/2" & 3/8" M-GAS, John Guest
Weight	0.4 Kg

Temperature	
Recommended Input hot water range	Min. 48°C - Max.65°C
Recommended Input cold water range	Min.5°C - Max.28°C
Mixed maximum	44°C *2
Mixed minimum	Full cold

Pressure	
Maximum dynamic	6 bar
Minimum dynamic	1 bar
Recommended dynamic	3 bar
Maximum differential supply	4.5 bar
(Durability) Burst	>35 bar

Flow rate (3 bar free flow with diverter DN13)	
Cold/ Hot water	Min. 2 l/min - Max. 13 l/min
Mix flow rate	Min. 2 l/min - Max. 22 l/min

*1 without deviator (NC solenoid)

*2 up to full hot temperature on OEM demand



CPU ISCU TH S 3 OUTLETS

THERMOSTATIC MIXER FOR SHOWERS

DESCRIPTION

Summum One is a smart system for showers consisting of a CPU electronic thermostatic mixer with one outlet and a touchpad to control it. CPU ISCU TH S 30 is the thermostatic box with 3 outlets that controls the system.

FEATURES & FUNCTIONS

	<p>OUTLET Mixing box with one outlet and two additional outlets thanks to external valves.</p>		<p>WARM-UP Preheats the shower by flushing out water until the desired pre-set temperature is reached.</p>		<p>SHOWER SEQUENCES Customize and run water sequences combining temperature, flow, time and outlets.</p>		<p>LEAKAGE DETECTION Summum detects small leakages of the system.</p>
	<p>CONNECTIVITY Optional model with WiFi/bluetooth to control functionalities with an app.</p>		<p>PAUSE Remembers water temperature and flow that the user was using before shampooing.</p>		<p>SHOWER SET-UP Set up parameters such as temperature, flow and time of your device.</p>		<p>ANTI-SCALDING Anti-scalding safety warning when using the shower.</p>
	<p>THERMOSTATIC Thermostatic functions allow water delivery at the desired temperature.</p>		<p>SUPER-ECO MODE The system offers an Eco mode function to save water and energy.</p>		<p>USER PROFILES Store preferred settings of temperature, flow and outlets for 3 different users.</p>		<p>THERMAL DISINFECTION Thermal disinfection in all shower outlets.</p>
	<p>FLOWSTATIC Flowstatic functions allow water delivery of the desired water quantity.</p>		<p>SMART BATH FILL Fill up your bathtub automatically at the desired temperature until reaching pre-set volume.</p>		<p>NORMALLY CLOSED In case of power outage, the system closes automatically.</p>		<p>AUTO-CLEANING Water is flushed through all outlets to avoid lime scale.</p>
	<p>START-UP System learns environmental conditions during installation.</p>		<p>CHILDREN SAFETY Set up temperature, flow, outlets and time desired for your child daily shower.</p>		<p>CONSUMPTION STATISTICS The user can see consumption of water and energy statistic via app.</p>		<p>AUTOMATIC SHUT-OFF Shower shuts off automatically after a limited period of time.</p>

ADVANTAGES

- **APP SPECIAL FUNCTIONS ACTIVATION**
The app allows set and run the functionalities of the system.
- **CLOUD SERVICE**
The system monitor, evaluates and reports components and system conditions in a cloud platform to allow predictive diagnosis: Leverage the extracted data from your connected devices to detect and diagnose problems before they occur, helping minimize variability and rework. Cloud for OEM and cloud for final user.
- **OEM CUSTOMIZATION**
 - Pre-defined settings available under customer requirements
 - Tailor made APP layout according to OEM specifications.
- **INTELLIGENT MIXING VALVES**
Innovative thermostatic mixing technology, completely electronic. It includes electro valves and various high-precision sensors.
- **DETECTS SYSTEM & INSTALLATION WARNINGS**
Summum One provides error detection and maintenance alarms, which remain stored in memory for report generation.

CPU ISCU TH S 30

THERMOSTATIC MIXER

REF. 27EV000023

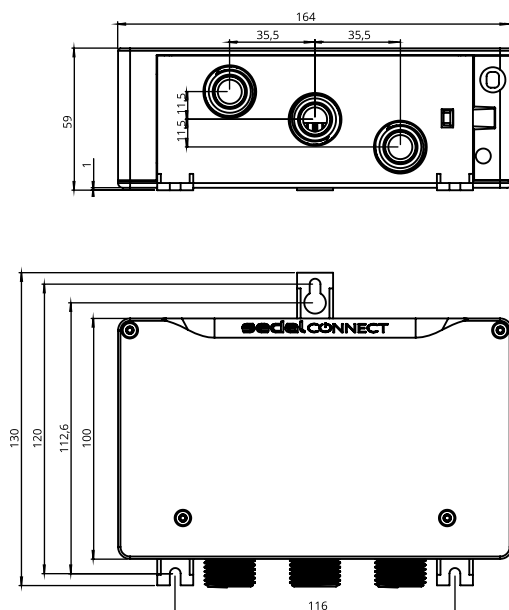
REF. 27EV000025 (WIFI)



DOWNLOAD DATA SHEET



DIMENSIONS



RECOMMENDED APPLICATIONS



SHOWERS
Recommended for eco-showers



SHOWERS COLUMN
Specially designed for shower columns



HOTELS
Recommended for hotels



HOME
Suitable for showers at home



PUBLIC VENUES
Suitable for airports, schools, libraries, etc.

CERTIFICATIONS



* Ready for KTW, UL and NSF.

TECHNICAL SPECIFICATIONS

General	
Technology	Patented
Maximum load	<15W / Stand by <1W *1
Rated impulse Voltage	12 V DC
Ingress Protection Rating	IP53
Hydraulic connections	1/2" & 3/8" M-GAS, John Guest
Weight	0.4 Kg

Temperature	
Recommended Input hot water range	Min. 48°C - Max.65°C
Recommended Input cold water range	Min.5°C - Max.28°C
Mixed maximum	44°C *2
Mixed minimum	Full cold

Pressure	
Maximum dynamic	6 bar
Minimum dynamic	1 bar
Recommended dynamic	3 bar
Maximum differential supply	4.5 bar
(Durability) Burst	>35 bar

Flow rate (3 bar free flow with diverter DN13)	
Cold/ Hot water	Min. 2 l/min - Max. 13 l/min
Mix flow rate	Min. 2 l/min - Max. 22 l/min

*1 without deviator (NC solenoid)

*2 up to full hot temperature on OEM demand

CPU IV2 2 OUTLETS

THERMOSTATIC MIXER FOR SHOWERS

DESCRIPTION

Summum is an smart system for showers consisting on a CPU electronic thersmostatic mixer with one outlet and a touchpad to control it. CPU IV2 TH 2O is the thermostatic box with 2 outlets that controls the system.

FEATURES & FUNCTIONS

 <p>2 OUTLET Mixing box with two outlets.</p>	 <p>WARM-UP Preheats the shower by flushing out water until the desired pre-set temperature is reached.</p>	 <p>SHOWER SEQUENCES Customize and run water sequences combining temperature, flow, time and outlets.</p>	 <p>LEAKAGE DETECTION Summum detects small leakages of the system.</p>
 <p>CONNECTIVITY Optional model with WIFI-bluetooth to control functionalities with an app</p>	 <p>PAUSE Remembers water temperature and flow that the user was using before shampooing.</p>	 <p>SHOWER SET-UP Set up parameters such as temperature, flow and time of your device.</p>	 <p>ANTI-SCALDING Anti-scalding safety warning when using the shower.</p>
 <p>THERMOSTATIC Thermostatic functions allow water delivery at the desired temperature.</p>	 <p>ECO MODE The system offers an Eco mode function to save water and energy.</p>	 <p>USER PROFILES Store preferred settings of temperature, flow and outlets for 3 different users.</p>	 <p>THERMAL DISINFECTION Thermal disinfection in all shower outlets.</p>
 <p>FLOWSTATIC Flowstatic functions allow water delivery of the desired water quantity.</p>	 <p>SMART BATH FILL Fill up your bathtub automatically at the desired temperature until reaching pre-set volume.</p>	 <p>NORMALLY CLOSED In case of power outage, the system closes automatically.</p>	 <p>AUTO-CLEANING Water is flushed through all outlets to avoid lime scale.</p>
 <p>START-UP System learns environmental conditions during installation.</p>	 <p>CHILDREN SAFETY Set up temperature, flow, outlets and time desired for your child daily shower.</p>	 <p>CONSUMPTION STATISTICS The user can see consumption of water and energy statistic via app.</p>	 <p>AUTOMATIC SHUT-OFF Shower shuts off automatically after a limited period of time.</p>

ADVANTAGES

- **APP SPECIAL FUNCTIONS ACTIVATION**
The app allows set and run the functionalities of the system.
- **CLOUD SERVICE**
The system monitor, evaluates and reports components and system conditions in a cloud platform to allow predictive diagnosis: Leverage the extracted data from your connected devices to detect and diagnose problems before they occur, helping minimize variability and rework
- **OEM CUSTOMIZATION**
 - Pre-defined settings available under customer requirements
 - Tailor made APP layout according to OEM specifications.
- **INTELLIGENT MIXING VALVES**
Innovative thermostatic mixing technology, completely electronic. It includes electro valves and various high-precision sensors.
- **PRESSURE BALANCING BEHAVIOUR**
It incorporates an intelligent auto-callibration mode that corrects and stabilises both flow rate and temperature in response to unexpected changes in water supply pressure.
- **DETECTS SYSTEM & INSTALLATION WARNINGS**
Summum One provides error detection and maintenance alarms, which remain stored in memory for report generation.

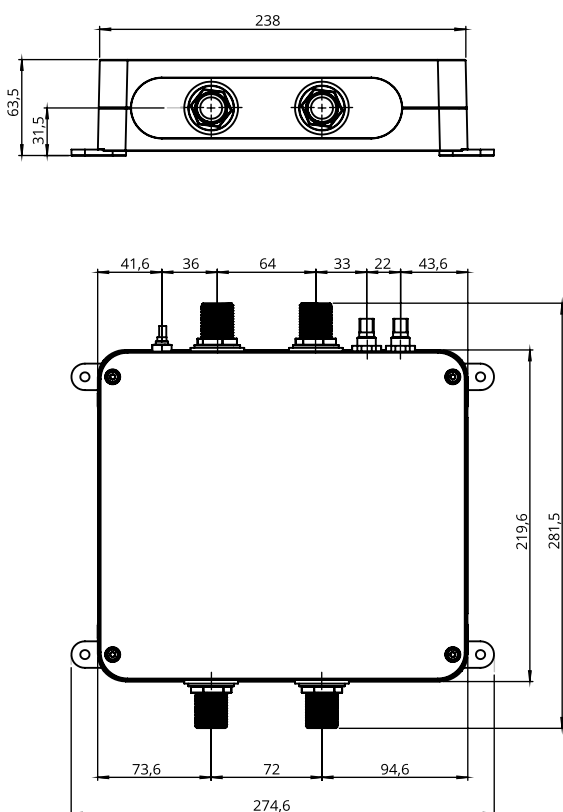
CPU IV2 TH 20

THERMOSTATIC MIXER

REF. 27EV000006



DIMENSIONS



RECOMMENDED APPLICATIONS



SHOWERS
Specially designed for showers



HOME
Suitable for showers at home



HOTELS
Recommended for hotels



SPA
Suitable for spas and dressing rooms



PUBLIC VENUES
Suitable for airports, schools, libraries, etc.

CERTIFICATIONS



* Ready for KTW, NSF and UL.

TECHNICAL SPECIFICATIONS

General	
Technology	Patented
Maximum load	<36W / Stand by <1W
Rated impulse Voltage	12 V DC
Ingress Protection Rating	IP54
Hydraulic connections	1/2" M-GAS
Weight	1.5-2 Kg

Temperature	
Recommended input hot water range	Min.48°C - Max.65°C
Recommended input cold water range	Min.5°C - Max.28°C
Mixed maximum	44°C *1
Mixed minimum	Full cold

Pressure	
Maximum dynamic	6 bar
Minimum dynamic	1.5 bar
Recommended dynamic	3 bar
Maximum differential supply	4.5 bar
(Durability) Burst	>35 bar
(Durability) Leakage	>20 bar

Flow rate (3 bar free flow)	
Cold/ Hot water	Min. 6 l/min - Max. 16.2 l/min
Maximum differential supply	Min. 6 l/min - Max. 22.1 l/min

*1 up to full hot temperature on OEM demand

CPU IV2 3 OUTLETS

THERMOSTATIC MIXER FOR SHOWERS

DESCRIPTION

Summum is an smart system for showers consisting on a CPU electronic thersmostatic mixer with one outlet and a touchpad to control it. CPU IV2 TH 3O is the thermostatic box with 3 outlets that controls the system.

FEATURES & FUNCTIONS



OUTLET

Mixing box with three outlets.



WARM-UP

Preheats the shower by flushing out water until the desired pre-set temperature is reached.



SHOWER SEQUENCES

Customize and run water sequences combining temperature, flow, time and outlets.



LEAKAGE DETECTION

Summum detects small leakages of the system.



CONNECTIVITY

Optional model with WiFi-bluetooth to control functionalities with an app



PAUSE

Remembers water temperature and flow that the user was using before shampooing.



SHOWER SET-UP

Set up parameters such as temperature, flow and time of your device.



ANTI-SCALDING

Anti-scalding safety warning when using the shower.



THERMOSTATIC

Thermostatic functions allow water delivery at the desired temperature.



ECO MODE

The system offers an Eco mode function to save water and energy.



USER PROFILES

Store preferred settings of temperature, flow and outlets for 3 different users.



THERMAL DISINFECTION

Thermal disinfection in all shower outlets.



FLOWSTATIC

Flowstatic functions allow water delivery of the desired water quantity.



SMART BATH FILL

Fill up your bathtub automatically at the desired temperature until reaching pre-set volume.



NORMALLY CLOSED

In case of power outage, the system closes automatically.



AUTO-CLEANING

Water is flushed through all outlets to avoid lime scale.



START-UP

System learns environmental conditions during installation.



CHILDREN SAFETY

Set up temperature, flow, outlets and time desired for your child daily shower.



CONSUMPTION STATISTICS

The user can see consumption of water and energy statistic via app.



AUTOMATIC SHUT-OFF

Shower shuts off automatically after a limited period of time.

ADVANTAGES

- **APP SPECIAL FUNCTIONS ACTIVATION**
The app allows set and run the functionalities of the system.
- **CLOUD SERVICE**
The system monitor, evaluates and reports components and system conditions in a cloud platform to allow predictive diagnosis: Leverage the extracted data from your connected devices to detect and diagnose problems before they occur, helping minimize variability and rework
- **OEM CUSTOMIZATION**
 - Pre-defined settings available under customer requirements
 - Tailor made APP layout according to OEM specifications.
- **INTELLIGENT MIXING VALVES**
Innovative thermostatic mixing technology, completely electronic. It includes electro valves and various high-precision sensors.
- **PRESSURE BALANCING BEHAVIOUR**
It incorporates an intelligent auto-callibration mode that corrects and stabilises both flow rate and temperature in response to unexpected changes in water supply pressure.
- **DETECTS SYSTEM & INSTALLATION WARNINGS**
Summum One provides error detection and maintenance alarms, which remain stored in memory for report generation.

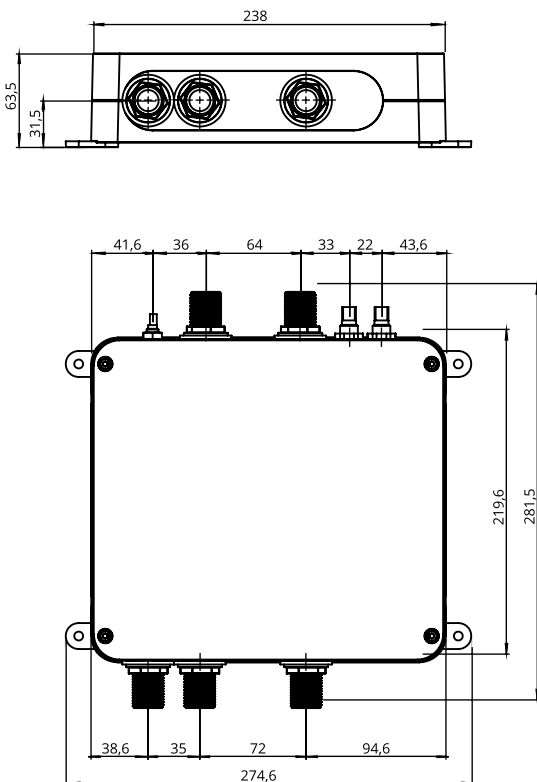
CPU IV2 TH 30

THERMOSTATIC MIXER

REF. 27EV000007



DIMENSIONS



RECOMMENDED APPLICATIONS



SHOWERS
Specially designed for showers



HOME
Suitable for showers at home



HOTELS
Recommended for hotels



SPA
Suitable for spas and dressing rooms



PUBLIC VENUES
Suitable for airports, schools, libraries, etc.

CERTIFICATIONS



* Ready for KTW, NSF and UL.

TECHNICAL SPECIFICATIONS

General	
Technology	Patented
Maximum load	<36W / Stand by <1W
Rated impulse Voltage	12 V DC
Ingress Protection Rating	IP54
Hydraulic connections	1/2" M-GAS
Weight	1.5-2 Kg

Temperature	
Recommended input hot water range	Min.48°C - Max.65°C
Recommended input cold water range	Min.5°C - Max.28°C
Mixed maximum	44°C *1
Mixed minimum	Full cold

Pressure	
Maximum dynamic	6 bar
Minimum dynamic	1.5 bar
Recommended dynamic	3 bar
Maximum differential supply	4.5 bar
(Durability) Burst	>35 bar
(Durability) Leakage	>20 bar

Flow rate (3 bar free flow)	
Cold/ Hot water	Min. 6 l/min - Max. 16.2 l/min
Maximum differential supply	Min. 6 l/min - Max. 22.1 l/min

*1 up to full hot temperature on OEM demand

CPU IV2 4 OUTLETS

THERMOSTATIC MIXER FOR SHOWERS

DESCRIPTION

Summum is an smart system for showers consisting on a CPU electronic thersmostatic mixer with one outlet and a touchpad to control it. CPU IV2 TH 4O is the thermostatic box with 4 outlets that controls the system.

FEATURES & FUNCTIONS

	OUTLET Mixing box with four outlets		WARM-UP Preheats the shower by flushing out water until the desired pre-set temperature is reached.		SHOWER SEQUENCES Customize and run water sequences combining temperature, flow, time and outlets.		LEAKAGE DETECTION Summum detects small leakages of the system.
	CONNECTIVITY Optional model with WIFI-bluetooth to control functionalities with an app		PAUSE Remembers water temperature and flow that the user was using before shampooing.		SHOWER SET-UP Set up parameters such as temperature, flow and time of your device.		ANTI-SCALDING Anti-scalding safety warning when using the shower.
	THERMOSTATIC Thermostatic functions allow water delivery at the desired temperature.		ECO MODE The system offers an Eco mode function to save water and energy.		USER PROFILES Store preferred settings of temperature, flow and outlets for 3 different users.		THERMAL DISINFECTION Thermal disinfection in all shower outlets.
	FLOWSTATIC Flowstatic functions allow water delivery of the desired water quantity.		SMART BATH FILL Fill up your bathtub automatically at the desired temperature until reaching pre-set volume.		NORMALLY CLOSED In case of power outage, the system closes automatically.		AUTO-CLEANING Water is flushed through all outlets to avoid lime scale.
	START-UP System learns environmental conditions during installation.		CHILDREN SAFETY Set up temperature, flow, outlets and time desired for your child daily shower.		CONSUMPTION STATISTICS The user can see consumption of water and energy statistic via app.		AUTOMATIC SHUT-OFF Shower shuts off automatically after a limited period of time.

ADVANTAGES

- **APP SPECIAL FUNCTIONS ACTIVATION**
The app allows set and run the functionalities of the system.
- **CLOUD SERVICE**
The system monitor, evaluates and reports components and system conditions in a cloud platform to allow predictive diagnosis: Leverage the extracted data from your connected devices to detect and diagnose problems before they occur, helping minimize variability and rework
- **OEM CUSTOMIZATION**
 - Pre-defined settings available under customer requirements
 - Tailor made APP layout according to OEM specifications.
- **INTELLIGENT MIXING VALVES**
Innovative thermostatic mixing technology, completely electronic. It includes electro valves and various high-precision sensors.
- **PRESSURE BALANCING BEHAVIOUR**
It incorporates an intelligent auto-callibration mode that corrects and stabilises both flow rate and temperature in response to unexpected changes in water supply pressure.
- **DETECTS SYSTEM & INSTALLATION WARNINGS**
Summum One provides error detection and maintenance alarms, which remain stored in memory for report generation.

CPU IV2 TH 40

THERMOSTATIC MIXER

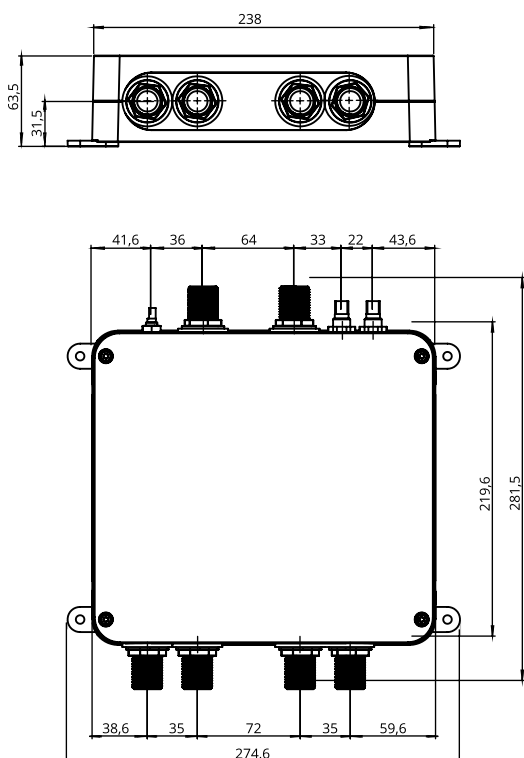
REF. 27EV000008



PAIRS WITH CUSTOMIZED TOUCHPAD



DIMENSIONS



RECOMMENDED APPLICATIONS



SHOWERS
Specially designed for showers



HOME
Suitable for showers at home



HOTELS
Recommended for hotels



SPA
Suitable for spas and dressing rooms



PUBLIC VENUES
Suitable for airports, schools, libraries, etc.

CERTIFICATIONS



* Ready for KTW, NSF and UL.

TECHNICAL SPECIFICATIONS

General	
Technology	Patented
Maximum load	<36W / Stand by <1W
Rated impulse Voltage	12 V DC
Ingress Protection Rating	IP54
Hydraulic connections	1/2" M-GAS
Weight	1.5-2 Kg

Temperature	
Recommended input hot water range	Min.48°C - Max.65°C
Recommended input cold water range	Min.5°C - Max.28°C
Mixed maximum	44°C *1
Mixed minimum	Full cold

Pressure	
Maximum dynamic	6 bar
Minimum dynamic	1.5 bar
Recommended dynamic	3 bar
Maximum differential supply	4.5 bar
(Durability) Burst	>35 bar
(Durability) Leakage	>20 bar

Flow rate (3 bar free flow)	
Cold/ Hot water	Min. 6 l/min - Max. 16.2 l/min
Maximum differential supply	Min. 6 l/min - Max. 22.1 l/min

*1 up to full hot temperature on OEM demand








iSQUARE S

INTERFACE FOR SHOWERS

DESCRIPTION

iSquare is a minimalist touchpad with water temperature and flow rate control thanks to simple or continued touches.

FEATURES & FUNCTIONS

 <p>OUTLET Touchpad prepared to work with one outlet.</p>	 <p>TEMPERATURE CONTROL The user can control the water temperature.</p>	 <p>PAUSE Remembers water temperature and flow that the user was using before.</p>	 <p>THERMAL DISINFECTION Flowstatic functions allow water delivery of the desired water quantity.</p>
 <p>START-UP System learns environmental conditions during installation.</p>	 <p>FLOW CONTROL The user can control the water flow.</p>	 <p>MEMORY SETTING Special lighting when setting the memory.</p>	

ADVANTAGES

- **WATERPROOF TOUCH TECHNOLOGIES**
Sedal Connect works with different touch technologies depending on technical requirements and functionalities of each project. All our touchpads have an efficient protection against water. The manufacturer can select one touchpad and combine with its preferred thermostatic mixer.
- **DESIGN AND ADAPTABILITY**
 - Functional configurations
 - Different technological options and variety of materials (polycarbonate, glass, aluminium, etc.)
- **RELIABLE AND PRECISE**
 - Suppression of interferences
 - Precise and intuitive touch commutation
- **CUSTOMIZABLE PANELS**
Customizable panels to reach customer needs according requirements.
- **ROBUST AND DURABLE**
 - Resistance in harsh environments
 - Water-resistance devices
 - Usage-protected graphs

ISQUARE S

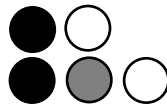
INTERFACE

REF. 27EI000029



DOWNLOAD DATA SHEET

Polycarbonate colors
Trim finishes



RECOMMENDED APPLICATIONS



SHOWERS
Specially designed for showers



HOME
Suitable for simple showers at home



HOTELS
Recommended for hotels



SPA
Suitable for spas and dressing rooms



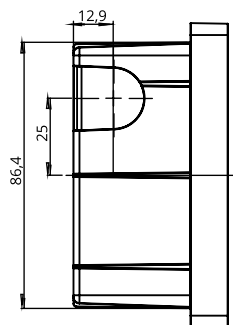
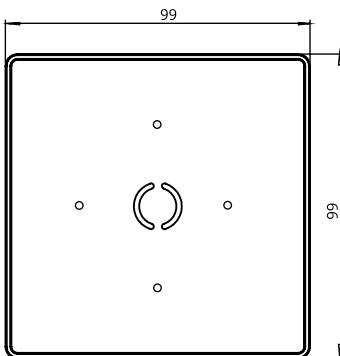
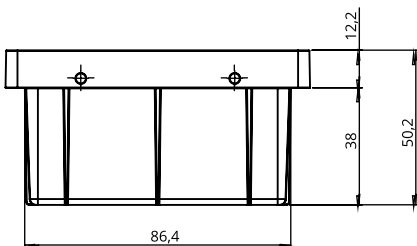
PUBLIC VENUES
Suitable for airports, schools, libraries, etc.

CERTIFICATIONS



* Ready for UL.

DIMENSIONS



TECHNICAL SPECIFICATIONS

Control

Temperature

Flow rate

Functions

Pause

Warm-up

Start-up program

Thermal disinfection

IPLUS DOTS

INTERFACE FOR SHOWERS

DESCRIPTION

Rectangular touchpad with anti-scratch and water-proof surface. It includes a complete interface with water and temperature control along with multiple outlet selection.

FEATURES & FUNCTIONS



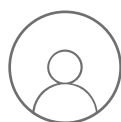
OUTLET

Touchpad can change between 3 outlets when installed



PAUSE

Remembers water temperature and flow that the user was using before.



USER PROFILES

Store preferred settings of temperature, flow and outlets for 3 different users.



ALARMS

iPlus touchpad displays warnings and alarms.



TEMPERATURE CONTROL

The user can control the water temperature.



WARM-UP

Preheats the shower by flushing out water until the desired pre-set temperature is reached.



MEMORY SETTING

Special lighting when setting the memory.



THERMAL DISINFECTION

Thermal disinfection in all shower outlets.



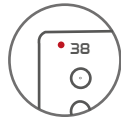
FLOW CONTROL

The user can control the water flow.



START-UP

System learns environmental conditions during installation.



WARNING

Anti-scalding safety warning when using the shower.



AUTO-CLEANING

Water is flushed through all outlets to avoid lime scale.

ADVANTAGES

● WATERPROOF TOUCH TECHNOLOGIES

Sedal Connect works with different touch technologies depending on technical requirements and functionalities of each project. All our touchpads have an efficient protection against water.

The manufacturer can select one touchpad and combine with its preferred thermostatic mixer.

● DESIGN AND ADAPTABILITY

- Functional configurations
- Different technological options and variety of materials (polycarbonate, glass, aluminium, etc.)

● RELIABLE AND PRECISE

- Suppression of interferences
- Precise and intuitive touch commutation

● CUSTOMIZABLE PANELS

Customizable panels to reach customer needs according requirements.

● ROBUST AND DURABLE

- Resistance in harsh environments
- Water-resistance devices
- Usage-protected graphs

IPLUS DOTS

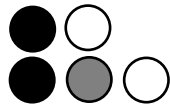
INTERFACE

REF. 27E1000005

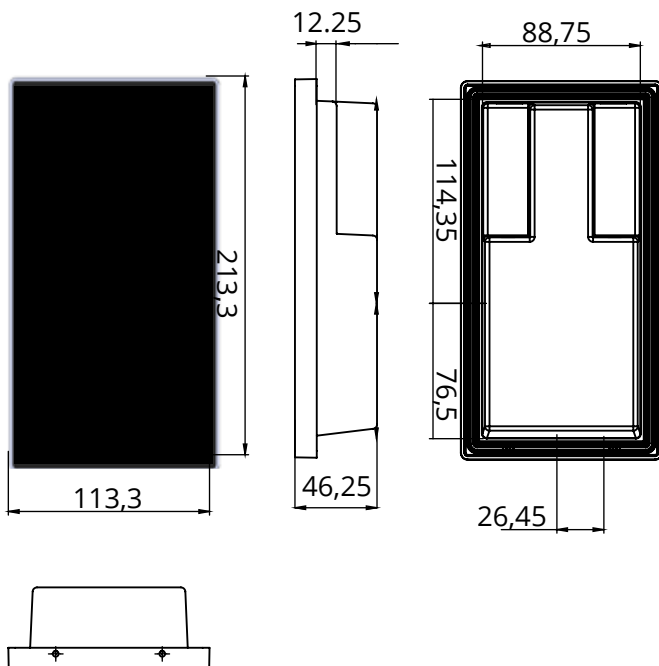


DOWNLOAD DATA SHEET

Polycarbonate colors
Trim finishes



DIMENSIONS



RECOMMENDED APPLICATIONS



SHOWERS

Specially designed for showers



HOME

Suitable for showers at home



HOTELS

Recommended for hotels



SPA

Suitable for spas and dressing rooms



PUBLIC VENUES

Suitable for airports, schools, libraries, etc.

CERTIFICATIONS



* Ready for UL.

TECHNICAL SPECIFICATIONS

Control

Temperature
Flow rate
1 to 3 outlets
User memory (initial user + 3 users)

Functions

Pause
Touchpad blocking function
Reset
Warm-up
Start-up program

Maintenance programs

Cleaning of impurities
Cleaning against legionella

Maintenance alarms and error diagnosis

Cold and hot water leakage
Cold and hot water failure
Insufficient hot water temperature
Cold water temperature high
Temperature malfunction
Communication error

DIGITAP

*DIGITAL
FAUCET
SYSTEMS*

digitap

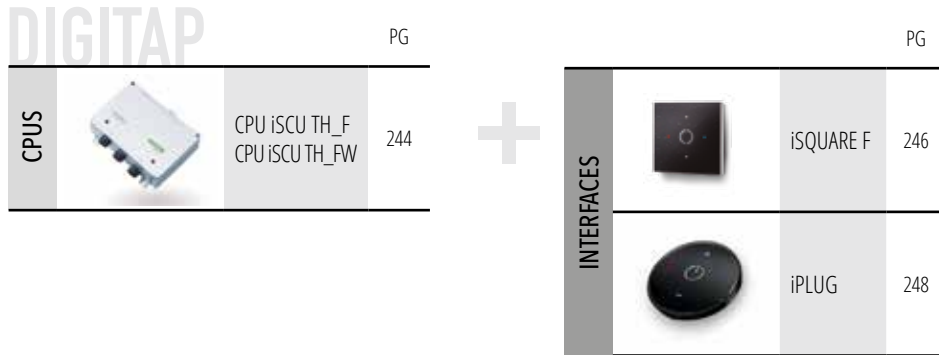


DIGITAP · DIGITAL FAUCET SYSTEMS

DIGITAP consists of a iSCU_TH_F valve combined with one of our touchpads: iSQUARE, PLUG or iHANDLE. These systems are specially designed to make it easier for the manufacturer to adopt new technologies into its products.

Digitap has no mechanical parts, small electric motors or other similar pieces that need to be recalibrated or replaced, lengthening the product life.

Digitap range includes wall-mounted and counter-top touchpads, retrofit interfaces and customized solutions to fulfill manufacturers requirements.



CPU ISCU TH F

THERMOSTATIC MIXER FOR FAUCETS

DESCRIPTION

Digitap is an smart system for faucets consisting on a CPU electronic thersmostatic mixer with one outlet and a touchpad to control it. CPU ISCU TH F is the thermostatic box that controls the system.

FEATURES & FUNCTIONS



CONNECTIVITY

Optional model with WiFi-bluetooth to control functionalities with an app



SMART AUTO DISPENSING FUNCTION

Tooth brush function or automatic water fill.



FAUCET SET-UP

Set up parameters such as temperature, flow and time of your device.



LEAKAGE DETECTION

Summum detects small leakages of the system.



THERMOSTATIC

Thermostatic functions allow water delivery at the desired temperature.



FLOW RATE QUICK-ACCESS

Mixed water memory at high flow and low flow with a button.



NORMALLY CLOSED

In case of power outage, the system closes automatically.



THERMAL DISINFECTION

Thermal disinfection in all shower outlets.



FLOWSTATIC

Flowstatic functions allow water delivery of the desired water quantity.



PAUSE

Remembers water temperature and flow that the user was using before shampooing.



CONSUMPTION STATISTICS

The user can see consumption of water and energy statistic via app.



AUTO-CLEANING

Water is flushed through all outlets to avoid lime scale.



START-UP

System learns environmental conditions during installation.



SUPER-ECO MODE

The system offers an Eco mode function to save water and energy.



ANTI-SCALDING

Anti-scalding safety warning when using the faucet.



AUTOMATIC SHUT-OFF

Shower shuts off automatically after a limited period of time.

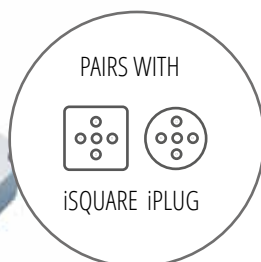
ADVANTAGES

- **APP SPECIAL FUNCTIONS ACTIVATION**
The app allows set and run the functionalities of the system.
- **CLOUD SERVICE**
The system monitor, evaluates and reports components and system conditions in a cloud platform to allow predictive diagnosis: Leverage the extracted data from your connected devices to detect and diagnose problems before they occur, helping minimize variability and rework
- **OEM CUSTOMIZATION**
 - Pre-defined settings available under customer requirements
 - Tailor made APP layout according to OEM specifications.
- **INTELLIGENT MIXING VALVES**
Innovative thermostatic mixing technology, completely electronic. It includes electro valves and various high-precision sensors.
- **PRESSURE BALANCING BEHAVIOUR**
It incorporates an intelligent auto-calibration mode that corrects and stabilises both flow rate and temperature in response to unexpected changes in water supply pressure.
- **DETECTS SYSTEM & INSTALLATION WARNINGS**
Digitap provides error detection and maintenance alarms, which remain stored in memory for report generation.

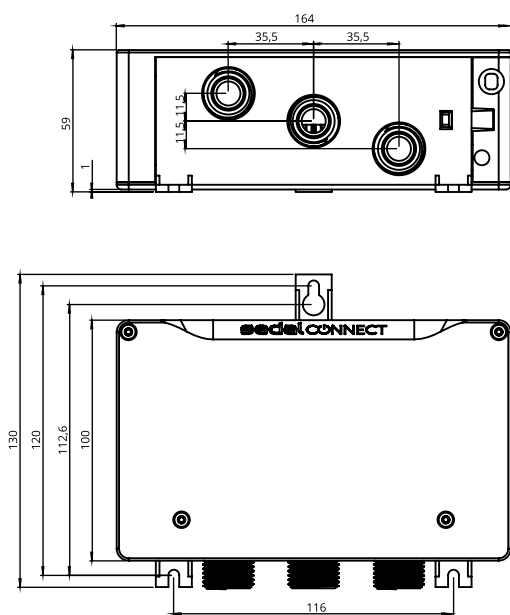
CPU ISCU TH F

THERMOSTATIC MIXER

REF. 27EV000018
REF. 27EV000019 (WIFI)



DIMENSIONS



RECOMMENDED APPLICATIONS



WASHBASINS

Specially designed for washbasins



HOME

Suitable for faucets at home



HOTELS

Recommended for hotels



PUBLIC VENUES

Suitable for airports, schools, libraries, etc.

CERTIFICATIONS



* Ready for KTW, UL, and NSF.

TECHNICAL SPECIFICATIONS

General	
Technology	Patented
Maximum load	<15W / Stand by <1W
Rated impulse Voltage	12 V DC
Ingress Protection Rating	IP53
Hydraulic connections	1/2" & 3/8" M-GAS, John Guest
Weight	0.4 Kg

Temperature	
Recommended input hot water range	Min. 48°C - Max.65°C
Recommended input cold water range	Min.5°C - Max.28°C
Mixed maximum	44°C *1
Mixed minimum	Full cold

Pressure	
Maximum dynamic	6 bar
Minimum dynamic	1 bar
Recommended dynamic	3 bar
Maximum differential supply	4.5 bar
(Durability) Burst	>35 bar
(Durability) Leakage	>20 bar

Flow rate (3 bar free flow)	
Cold/ Hot water	Min. 2 l/min - Max. 12 l/min
Mix flow rate	Min. 2 l/min - Max. 22 l/min

*1 Up to 80°C less than 20 min.

ISQUARE

INTERFACE FOR FAUCETS

DESCRIPTION

Digitap iSquare is a minimalist touchpad with water temperature and flow rate control thanks to simple or continued touches.



FEATURES & FUNCTIONS



TEMPERATURE CONTROL

The user can control the water temperature.



START-UP

System learns environmental conditions during installation.



SMART AUTO DISPENSING FUNCTION

Automatic water fill of a glass.



MEMORY SETTING

Special lighting when setting the memory.



FLOW CONTROL

The user can control the water flow.



PAUSE

Remembers water temperature and flow that the user was using before.



FLOW RATE QUICK-ACCESS

Mixed water memory at high flow and low flow with a button.



THERMAL DISINFECTION

Flowstatic functions allow water delivery of the desired water quantity.

ADVANTAGES

- **WATERPROOF TOUCH TECHNOLOGIES**
Sedal Connect works with different touch technologies depending on technical requirements and functionalities of each project. All our touchpads have an efficient protection against water. The manufacturer can select one interface and customize some of their features.
- **DESIGN AND ADAPTABILITY**
 - Functional configurations
 - Different technological options and variety of materials (polycarbonate, glass, aluminium, etc.)
- **RELIABLE AND PRECISE**
 - Suppression of interferences
 - Precise and intuitive touch commutation
- **CUSTOMIZABLE PANELS**
Customizable panels to reach customer needs according requirements.
- **ROBUST AND DURABLE**
 - Resistance in harsh environments
 - Water-resistance devices
 - Usage-protected graphs

ISQUARE F

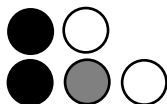
INTERFACE

REF. 27EI000025



DOWNLOAD DATA SHEET

Polycarbonate colors
Trim finishes



RECOMMENDED APPLICATIONS



WASHBASINS

Specially designed for washbasins



HOME

Suitable for faucets at home



HOTELS

Reccomended for hotels



PUBLIC VENUES

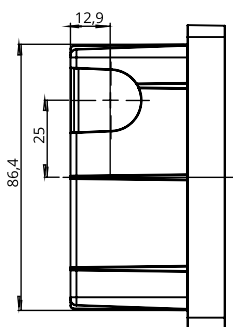
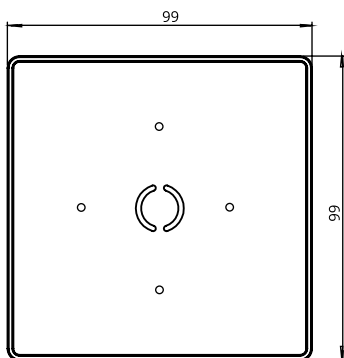
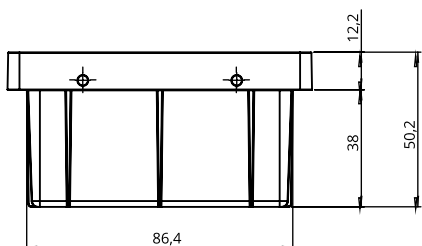
Suitable for airports, schools, libraries, etc.

CERTIFICATIONS



* Ready for UL.

DIMENSIONS



TECHNICAL SPECIFICATIONS

Control

Temperature

Flow rate

Functions

Pause

Start-up program

Thermal disinfection

Smart glass fill

Flow rate quick access

DIGITAP INTERFACE

IPLUG

DESCRIPTION

Digitap iPlug is a minimalist interface with water temperature and flow rate control thanks to simple or continued touches.

FEATURES & FUNCTIONS



TEMPERATURE CONTROL

The user can control the water temperature.



START-UP

System learns environmental conditions during installation.



SMART AUTO DISPENSING FUNCTION

Automatic water fill of a glass.



MEMORY SETTING

Special lighting when setting the memory.



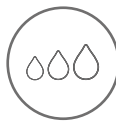
FLOW CONTROL

The user can control the water flow.



PAUSE

Remembers water temperature and flow that the user was using before.



FLOW RATE QUICK-ACCESS

Mixed water memory at high flow and low flow with a button.



THERMAL DISINFECTION

Flowstatic functions allow water delivery of the desired water quantity.

ADVANTAGES

- **WATERPROOF TOUCH TECHNOLOGIES**
Sedal Connect works with different touch technologies depending on technical requirements and functionalities of each project. All our touchpads have an efficient protection against water. The manufacturer can select one interface and customize some of their features..
- **DESIGN AND ADAPTABILITY**
 - Functional configurations
 - Different technological options and variety of materials (polycarbonate, glass, aluminium, etc.)
- **RELIABLE AND PRECISE**
 - Suppression of interferences
 - Precise and intuitive commutation
- **CUSTOMIZABLE PANELS**
Customizable panels to reach customer needs according requirements.
- **ROBUST AND DURABLE**
 - Resistance in harsh environments
 - Water-resistance devices
 - Usage-protected graphs

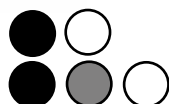
DIGITAP iPLUG

REF. 27E1000026



DOWNLOAD
DATA SHEET

Polycarbonate colors
Trim finishes



RECOMMENDED APPLICATIONS



WASHBASINS

Specially designed for washbasins



HOME

Suitable for faucets at home



HOTELS

Recommened for hotels



PUBLIC VENUES

Suitable for airports, schools, libraries, etc.

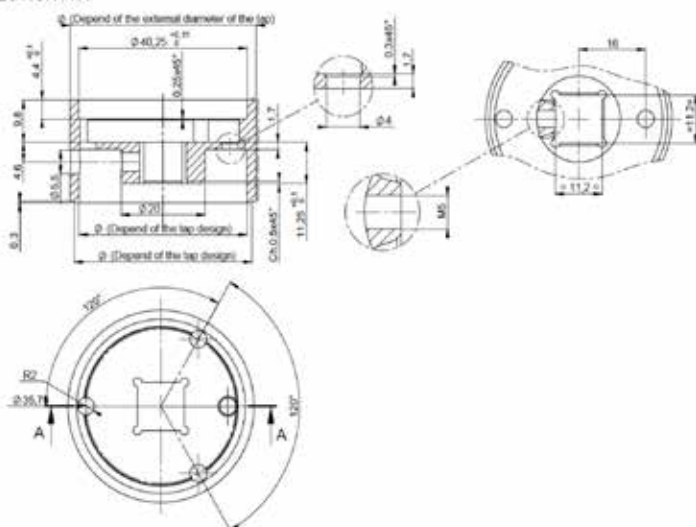
CERTIFICATIONS



* Ready for UL.

DIMENSIONS

SECTION A-A



TECHNICAL SPECIFICATIONS

Control

Temperature

Flow rate

Functions

Pause

Start-up program

Thermal disinfection

Smart glass fill

Flow rate quick access

A photograph of a modern commercial restroom. The scene features a long, white vanity with several white sinks and chrome faucets. A large, wide mirror is mounted on the wall above the vanity, reflecting the room and creating a sense of depth. The lighting is bright and even, highlighting the clean, minimalist design. The floor is a light-colored tile.

HYDRON

*ELECTRONIC
COMMERCIAL
WATER SYSTEMS*

HYDRON


HYDRON · ELECTRONIC COMMERCIAL WATER SYSTEMS

Hydron is a range of electronic systems including infrared and capacitive technology for commercial and hospitality applications.

Touchless operation with infrared sensors or activate a touch sensitive faucet with a slight touch of an arm help reduce germs and bacteria contamination.

Built-in filters to avoid impurities that could affect water flow and performance. Valves are protected by an IP65 casing to resist thorough facility cleaning.

Hydron electronic systems have been designed to work in harsh environments. Packed into a rugged case, our valves and sensors have a service life of over 500.000 cycles.

HYDRON		PG	
CONTROL BOX		SENSE	252
		DUAL SENSE	254
		iRED	256
		iRED+	258
		iRED-PRO	260



		PG	
INFRARED SENSORS		S1	262
		S2	262
		S3	262
		S4	262
		S5	262
		S6	262
		S7	262
		S8	262
		S9	262

HYDRON SENSE

DESCRIPTION

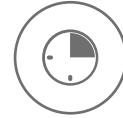
Electronic system for faucets including sensor technology.

FEATURES



ECO MODE

The system saves water thanks to its automatic shut-off.



AUTOMATIC SHUT-OFF

Faucet shuts off automatically after a limited period of time.



CAPACITIVE

A simple touch anywhere on the body faucet activates the flow of water.

ADVANTAGES

- *SIMPLE TOUCH*
A simple touch anywhere on the body faucet activates the flow of water, allowing the user to have higher freedom of movements.
- *EASY MAINTENANCE*
Built-in filter to avoid impurities which could affect the proper water flow.
- *SELF-ADJUSTING*
Self-adjusting to its installation environment.

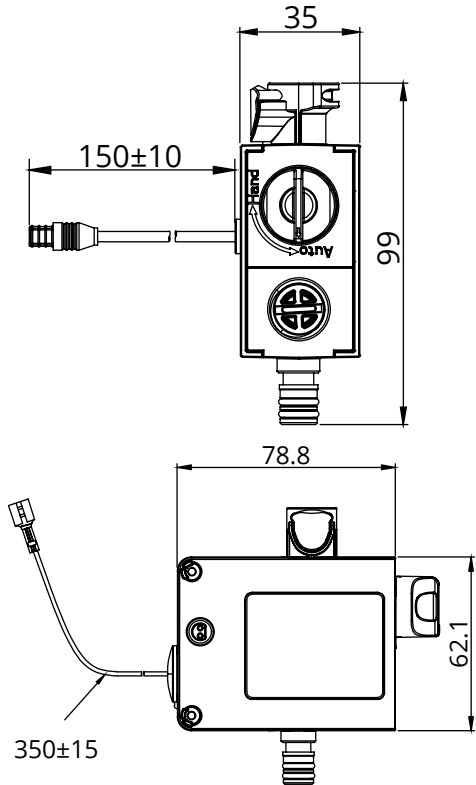
HYDRON SENSE

REF. 27ES000007



DOWNLOAD
DATA SHEET

DIMENSIONS



RECOMMENDED APPLICATIONS



WASHBASINS
Specially designed for washbasins.



HOME
Suitable for faucets at home



HOTELS
Recommened for hotels



PUBLIC VENUES
Suitable for airports, schools, libraries, etc.

CERTIFICATIONS



* Ready for NSF

TECHNICAL SPECIFICATIONS

General	
Voltage supply	DC 6V
Working pressure	1 -7 bar
Pressure resistance closed (1 min.)	35 bar
Life test	500,000 cycle
Max. hot water	55°C
Flow rate (RhA)	8 l/min
Sensor activation time	<1 s
Protection against intrusion (control box)	IP 65
Power consumption (stand by)	<0.5 mW
Power consumption (flushing)	<3W
Water saving function	Auto off adjustable (factory setting 1 min)
Thread	Quick fitting
Battery type (not included)	4 X AA 1.5V

HYDRON

DUAL SENSE

DESCRIPTION

Electronic system for kitchen faucets including sensor technology. The faucet will open and close with a simple touch and the user will be able to set desired temperature and flow thanks to the handle.

ADVANTAGES

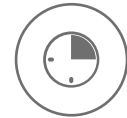


FEATURES



ECO MODE

The system saves water thanks to its automatic shut-off.



AUTOMATIC SHUT-OFF

Faucet shuts off automatically after a limited period of time.



CAPACITIVE

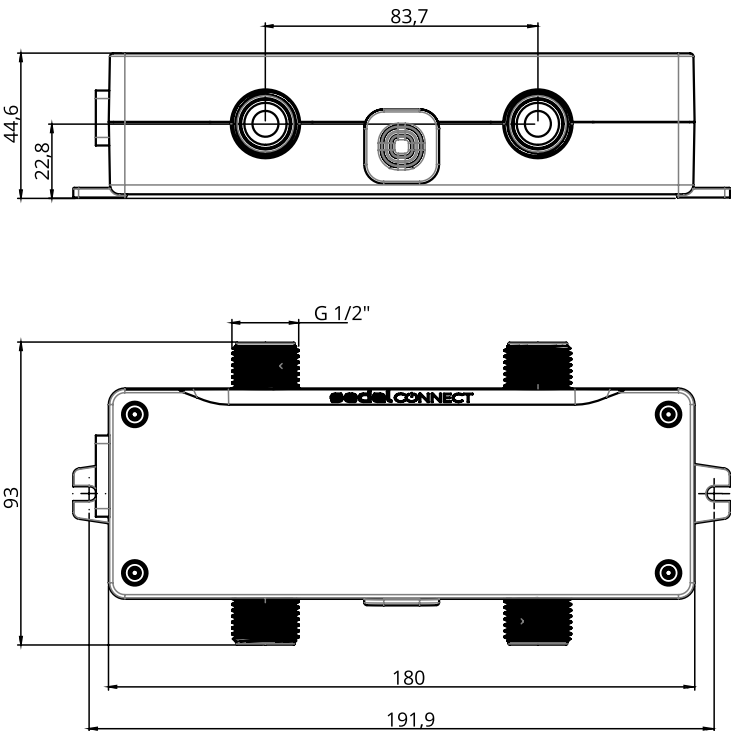
A simple touch anywhere on the body faucet activates the flow of water.

- *TOUCH EXPERIENCE*
With a simple touch on the spout or the body you will open and close the faucet and dispense water. Single lever equipped with a second sensor which ensures mechanical cartridge priority.
- *COMBINATION OF TECHNOLOGIES*
Digital technology combined with a mechanical cartridge to allow push and pull movements. In addition, like SENSE model, it adapts itself to the installation environment and has two built-in filters.
- *EASY TO USE*
New features without any learning curve.
- *MANUAL OPENING BUTTON*
In case of electric power supply failure, the user can open manually the faucet by pushing the button on the box.
- *EMERGENCY SHUT-OFF*
In case of electric power supply failure the device will auto shut-off all valves.

HYDRON
DUAL SENSE
 REF. 27EV000026



DIMENSIONS



RECOMMENDED APPLICATIONS

KITCHENS Specially designed for kitchens	HOME Suitable for faucets at home
HOTELS Recommened for hotels	PUBLIC VENUES Suitable for airports, schools, libraries, etc.

CERTIFICATIONS



* Ready for KTW, NSF and WRAS

TECHNICAL SPECIFICATIONS

General	
Voltage supply	DC 6V
Working pressure	1 -7 bar
Pressure resistance closed (1 min.)	35 bar
Life test	500,000 cycle
Max. hot water	55°C
Flow rate (RhA)	12 l/min
Sensor activation time	<1 s
Power consumption (stand by)	<0.5 mW
Power consumption (flushing)	<10W
Water saving function	Auto off adjustable (factory setting 30 sec.)
Thread	Quick fitting
Battery type (not included)	4 X AA 1.5V

HYDRON

IRED

DESCRIPTION

Electronic system for faucets including sensor technology.

FEATURES



ECO MODE

The system saves water thanks to its automatic shut-off.



AUTOMATIC SHUT-OFF

Faucet shuts off automatically after a limited period of time.



INFRA-RED

System activates thanks to an infra-red sensor.

ADVANTAGES

- *WATER SAVING*
Infra-red sensor activation with automatic shut-off time which can be customized.
- *CLEAN&HYGIENIC*
Faucet activation is done by entering the hand into the sensor zone.
- *RELIABILITY*
Hydron electronic systems have been designed to work in harsh environments. Packed into a rugged case, our valves and sensors have a service life of over 500.000 cycles.
- *EASY MAINTENANCE*
Built-in filter to avoid impurities which could affect the proper water flow.
- *VERSIONS*
All models are available with battery and/ or power supply.

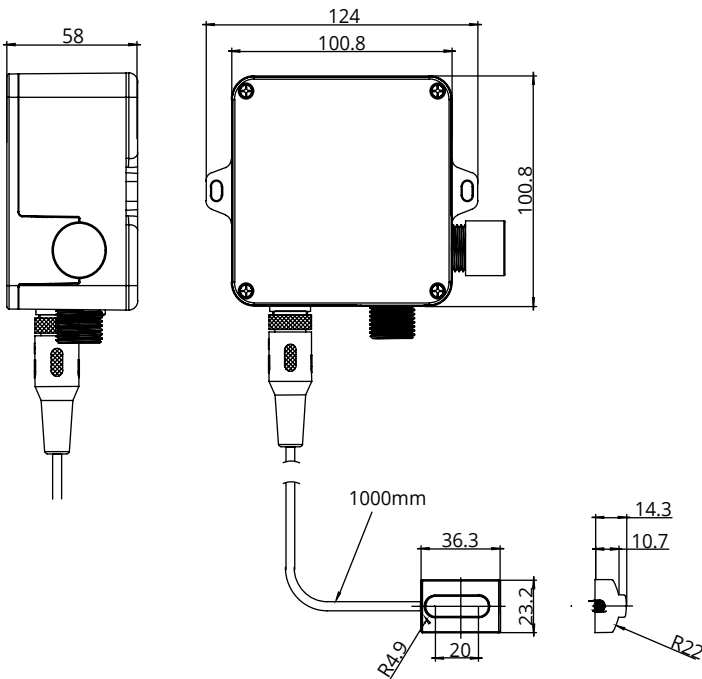
HYDRON iRED

REF. 27ES000001 (DC)
REF. 27ES000002 (AC)
REF. 27ES000003 (AC+DC)



DOWNLOAD
DATA SHEET

DIMENSIONS



RECOMMENDED APPLICATIONS



WASHBASINS
Specially designed for washbasins.



HOME
Suitable for faucets at home



HOTELS
Recommended for hotels



PUBLIC VENUES
Suitable for airports, schools, libraries, etc.

CERTIFICATIONS



* Ready for KTW and NSF

TECHNICAL SPECIFICATIONS

General	
Voltage supply	DC-6V and/or AC: 230V (50Hz) / 110-120 (60Hz)
Working pressure	1-7 bar
Pressure resistance closed (1 min.)	35
Life test	500,000 cycles
Max. hot water	75°C
Flow rate (RhA)	10.8 l/min
Sensor activation time	<1s
Protection against intrusion (control box)	IP 65
Protection against intrusion (sensor)	IP 67
Sensor detection distance	<35 cm
Power consumption (stand by)	AC <4W DC <0.2mW
Power consumption (flushing)	AC <5W DC <3W
Water saving function	Auto off adjustable up to 1 min.
Thread	G1/2-14
Battery type (not included)	4xAA 1.5V
Sensor detection angle	15° (conical)

HYDRON

IRED +

DESCRIPTION

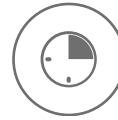
Electronic system for faucets including sensor technology.

FEATURES



ECO MODE

The system saves water thanks to its automatic shut-off.



AUTOMATIC SHUT-OFF

Faucet shuts off automatically after a limited period of time.



INFRA-RED

System activates thanks to an infra-red sensor.



SELF-ADJUSTING

Self-adjusting feature to set the distance between the infra-red sensor and the user.

ADVANTAGES

- **WATER SAVING**
Infra-red sensor activation with automatic shut-off time which can be customized.
- **CLEAN & HYGIENIC**
Faucet activation is done by entering the hand into the sensor zone.
- **RELIABILITY**
Hydron electronic systems have been designed to work in harsh environments. Packed into a rugged case, our valves and sensors have a service life of over 500.000 cycles.
- **EASY MAINTENANCE**
Built-in filter to avoid impurities which could affect the proper water flow.
- **VERSIONS**
All models are available with battery and/ or power supply.
- **SELF-ADJUSTING**
HYDRON i-RED+ system also includes self-adjusting feature to set the distance between the infra-red sensor and the user.

HYDRON

iRED+

REF. 27ES000004 (DC)

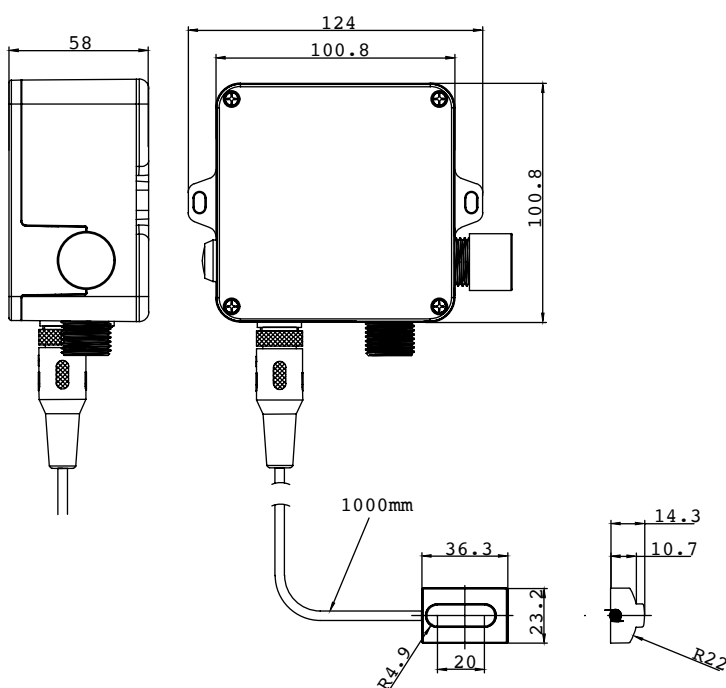
REF. 27ES000005 (AC)

REF. 27ES000006 (AC+DC)



DOWNLOAD DATA SHEET

DIMENSIONS



RECOMMENDED APPLICATIONS



WASHBASINS

Specially designed for washbasins.



HOME

Suitable for faucets at home



HOTELS

Recommened for hotels



PUBLIC VENUES

Suitable for airports, schools, libraries, etc.

CERTIFICATIONS



* Ready for KTW and NSF

TECHNICAL SPECIFICATIONS

General	
Voltage supply	DC-6V and/or AC: 230V (50Hz) / 110-120 (60Hz)
Working pressure	1-7 bar
Pressure resistance closed (1 min.)	35
Life test	500,000 cycles
Max. hot water	75°C
Flow rate (RhA)	10.8 l/min
Sensor activation time	<1s
Protection against intrusion (control box)	IP 65
Protection against intrusion (sensor)	IP 67
Sensor detection distance	Adjustable <35 cm
Power consumption (stand by)	AC <4W DC <0.2mW
Power consumption (flushing)	AC <5W DC <3W
Water saving function	Auto off adjustable up to 1 min.
Thread	G1/2-14
Battery type (not included)	4xAA 1.5V
Sensor detection angle	15° (conical)

HYDRON

IRED · PRO

DESCRIPTION

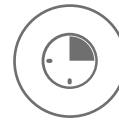
Electronic system for faucets including sensor technology.

FEATURES



ECO MODE

The system saves water thanks to its automatic shut-off.



AUTOMATIC SHUT-OFF

Faucet shuts off automatically after a limited period of time.



INFRA-RED

System activates thanks to an infra-red sensor.



AUTO-CLEANING

System activates every 72h to avoid water contamination

ADVANTAGES

- **WATER SAVING**
Infra-red sensor activation with automatic shut-off time which can be customized.
- **CLEAN&HYGIENIC**
Faucet activation is done by entering the hand into the sensor zone.
- **RELIABILITY**
Hydron electronic systems have been designed to work in harsh environments. Packed into a rugged case, our valves and sensors have a service life of over 500.000 cycles.
- **VERSIONS**
All models are available with battery and/ or power supply
- **EASY MAINTENANCE**
Built-in filter to avoid impurities which could affect the proper water flow.
- **AUTO-CLEANING SYSTEM**
HYDRON i-RED-PRO has an auto-cleaning system that activates every 72h to avoid water contamination.
- **ON-OFF BUTTON**
It also includes a switch-off button to make maintenance works easier.

HYDRON

iRED-PRO

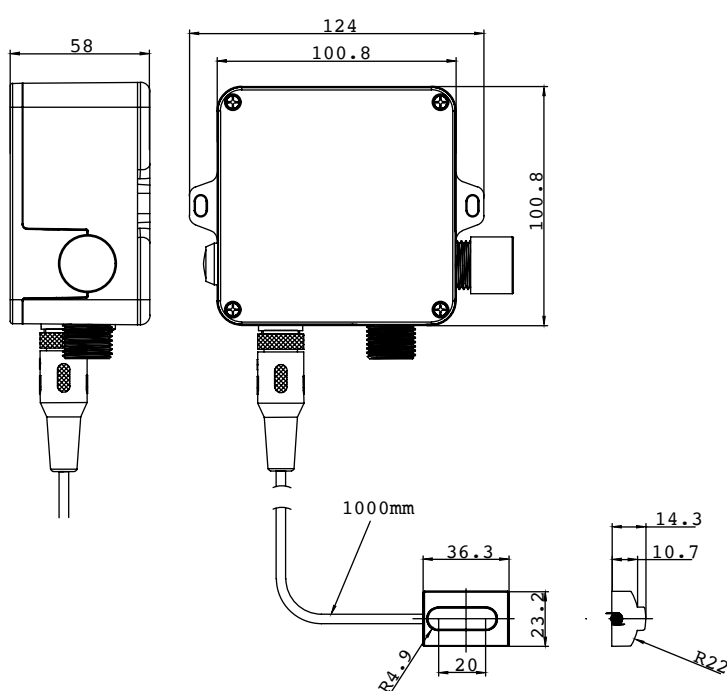
REF. 27ES000023 (DC)

REF. 27ES000024 (AC)

REF. 27ES000025 (AC+DC)



DIMENSIONS



RECOMMENDED APPLICATIONS



WASHBASINS

Specially designed for washbasins.



HOME

Suitable for simple showers at home



HOTELS

Recommened for hotels



PUBLIC VENUES

Suitable for airports, schools, libraries, etc.

CERTIFICATIONS



* Ready for KTW and NSF

TECHNICAL SPECIFICATIONS

General	
Voltage supply	DC-6V and/or AC: 230V (50Hz) / 110-120 (60Hz)
Working pressure	1-7 bar
Pressure resistance closed (1 min.)	35
Life test	500,000 cycles
Max. hot water	75°C
Flow rate (RhA)	10.8 l/min
Sensor activation time	<1s
Protection against intrusion (control box)	IP 65
Protection against intrusion (sensor)	IP 67
Sensor detection distance	Adjustable <35 cm
Power consumption (stand by)	AC <4W DC <0.2mW
Power consumption (flushing)	AC <5W DC <3W
Water saving function	Auto off adjustable up to 1 min.
Thread	G1/2-14
Battery type (not included)	4xAA 1.5V
Sensor detection angle	15° (conical)
Switch off function	Waterproof button
Self cleaning function	Time adjustable (factory setting as 72h)

HYDRON

INFRARED SENSORS

HYDRON

SENSORS for iRED

Wide range

Hydron iRED systems have different options of sensors depending on the detection range, size and position needed, all of them with less than 1 second detection time.

On demand

Other shapes, sizes and cable lengths available.



MODEL	DETECTION RANGE	WINDOW SIZE	PAIRS WITH		
			iRED	iRED+	iRED · PRO
S1	14-48 cm	2.98 x 0.98 cm	✓	OEM	✓
S2	12-38 cm	2.98 x 0.98 cm	✓	OEM	✓
S3	2-37 cm	Ø 1.94 cm	OEM	OEM	OEM
S4	10-35 cm	2.98 x 0.98 cm	OEM	✓	OEM
S5	12-47 cm	2.18 x 0.98 cm	OEM	OEM	OEM
S6	12-60 cm	2.18 x 0.98 cm	OEM	OEM	OEM
S7	12-52 cm	Ø 2.56 cm	OEM	OEM	OEM
S8	10-40 cm	Ø 2.26 cm	OEM	OEM	OEM
S9	5-40 cm	3.7 x 0.74 cm	OEM	OEM	OEM



S1 REF.27EI000013
Infrared sensor for straight body faucet.



S2 REF.27EI000014
Infrared sensor for curved body faucet.



S3 REF.27EI000015
Infrared sensor for wide base faucets.



S4 REF.27EI000016
Infrared sensor for spout faucets, located before the outlet.



S5 REF.27EI000017
Infrared sensor for spout faucets, located after the outlet.



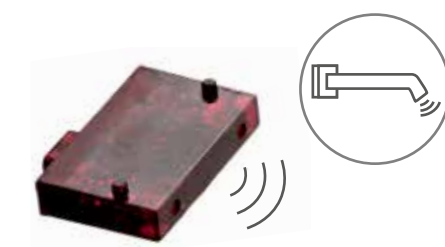
S6 REF.27EI000018
Infrared sensor for square spout faucets, located after the outlet.



S7 REF.27EI000019
Round Infrared sensor to be placed on the outlet in the spout of the faucet.



S8 REF.27EI000020
Semi-circular Infrared sensor to be placed on the outlet in the spout of the faucet.



S9 REF.27EI000021
Squared Infrared sensor to be placed on the outlet in the spout of a squared faucet.



HEADQUARTERS

Sedal, S.L.U.

Polígono Industrial Can Sunyer

C/ Química, 2-12

E-08740 Sant Andreu de la Barca (Barcelona) · Spain

Tel. +34 93 680 33 00 · Fax +34 93 680 33 03

sedal@sedal.com · www.sedal.com

Kaiping Sedal Tap Components CO LTD.

No.H1, No.3 · Industrial District, Shuikou Town · Kaiping City

529321 Guangdong Province · China

Tel: +86 750 272 8598 · Fax: +86 750 272 8599

sales@ksedal.com · www.sedal.cn

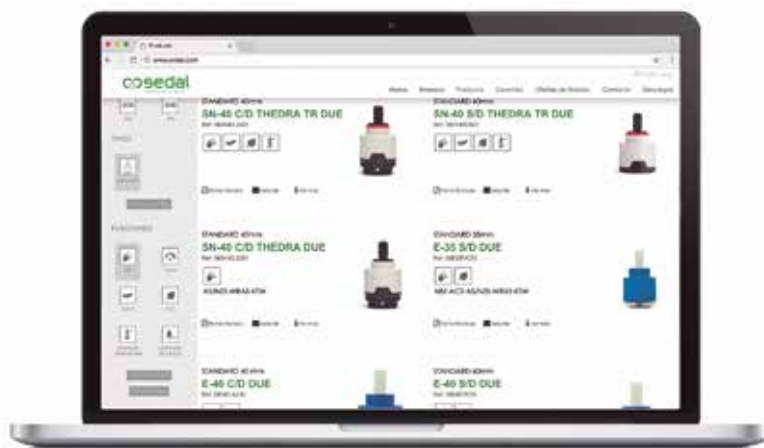
Jiangmen Sedal Cetec Advanced Technical Ceramics CO LTD.

Building 7 of Jiang-Mu Road 128, Jiangmen Hi-tech Industrial

Development Zone · Jiangmen City 529000 · Guangdong Province, China

Tel: +0750 369 7078 · Fax: +0750 369 7070

www.sedal.com



www.sedal.com

Get access to the complete and latest product technical data by downloading from our Webpage the Product Technical Data Sheets.

The values that appear in the catalogue have been tested in our laboratory using master faucets. The values may change depending on conditions of installation. Sedal reserves the right to change the catalogue without notice.



HEADQUARTERS

Sedal, S.L.

Poligono Industrial Can Sunyer · C/ Química, 2-12
E-08740 Sant Andreu de la Barca (Barcelona) · Spain
Tel. +34 93 680 33 00 · Fax +34 93 680 33 03
sedal@sedal.com · www.sedal.com

Kaiping Sedal Tap Components CO LTD.

No.H1, No.3 · Industrial District, Shuikou Town ·
Kaiping City
529321 Guangdong Province · China
Tel. +86 750 272 8598 · Fax +86 750 272 8599
sales@ksedal.com · www.sedal.cn

**Jiangmen Sedal Cetec Advanced Technical
Ceramics CO LTD.**

Building 7 of Jiang-Mu Road 128, Jiangmen
Hi-tech Industrial
Development Zone · Jiangmen City 529000
Guangdong Province, China
Tel: +0750 369 7078 · Fax: +0750 369 7070
www.sedal.com

