

**gorenje**  
*Life Simplified*



# BUILT-IN APPLIANCES

2018

[www.gorenje.co.uk](http://www.gorenje.co.uk)



# QUALITY AND TRADITION

Gorenje has been producing high-quality home appliances for over 60 years. It is committed to the development of own technologies and to continuous improvement of its production processes. Drawing on Slovenian tradition and European values, Gorenje remains among the leading home appliance manufacturers in Europe. We are proud of every product that leaves our factories as we are aware that it was produced and tested to meet the stringent European environment protection standards.





## OVENS

Built-in single ovens  
Built-in double ovens  
Built-in microwave ovens  
Built-in coffee machine  
Warming drawers

4



## HOBS

Induction hobs  
Ceramic hobs  
Gas hobs

32



## HOODS

48



## COOLING

Built-in fridge freezers  
Built-in refrigerators  
Built-in freezers

64



## WASHING

Built-in dishwashers  
Built-in washing machine  
Built-in washer dryer

80



## DESIGN LINES

Ora-ito  
Classico  
Simplicity  
Karim Rashid

88



## PRODUCT INFORMATION

Technical drawings  
Symbol description  
Aftersales support

120

# PERSONAL FACTORY OF PERFECT TASTE

## Ovens

Every Gorenje oven is a little wonder factory. A thousand physical processes take place in it, all controlled and perfectly coordinated to the end result - delicious food. Years of ambitious research into the physics behind baking, roasting and steaming have led to a wide range of features and functions that offer a unique cooking experience. These ovens are helpful personal assistants with a talent for details: an innovative shape that distributes hot air evenly, a monitoring device that cooks meat to perfection, a steaming tool that brings in just enough moisture. There are many interesting configurations to choose from, all of which are exceptionally user-friendly.







## HomeMade shape

All the qualities of baking in wood-burning ovens

The characteristic rounded shape is one of the most beneficial features of Gorenje ovens. Inspired by traditional wood-burning ovens, it enables hot air to move around freely. Since the food is heated evenly and from all sides, it is always perfectly done:

crispy on the outside and juicy on the inside. Combined with the MultiFlow 360° ventilation system, it makes baking on all 5 levels possible.



## MultiFlow 360°

All sides are good sides

MultiFlow 360° guarantees the optimal circulation of heat within the oven. Due to smartly positioned ventilation openings on the back wall and the unique round shape, air is spread evenly throughout the oven. The fan pushes hot air around the entire oven volume, making the food perfectly baked on all sides. The dynamic air movement allows simultaneous baking on many levels without smells and flavours mixing together.



## Multi-level baking

Many dishes in one go

Combination of MultiFlow 360° and HomeMade shape helps reach the toughest objective: preparing five trays of dishes at once. The good news is: the flavors and smells don't mix. Smart air distribution ensures that the food is evenly baked on every level. Since the oven volume is larger, the overview is excellent as well. Superior models enable arranging the baking trays on five different levels.



### AutoProgrammes

Select, touch, done

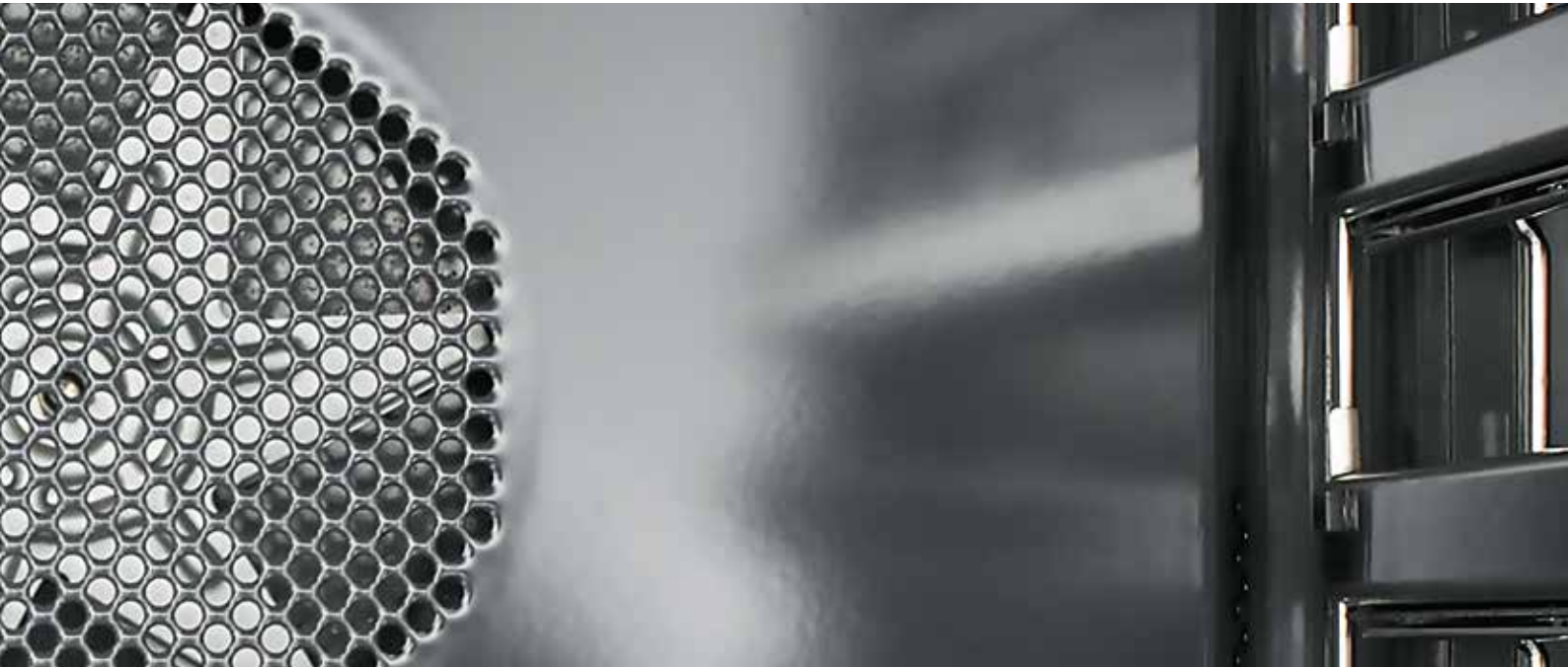
Gorenje ovens provide fully automatic cooking programme with over 80 recipes to choose from, ideal for beginners. The secret of auto mode is quite simple – all the parameters such as time, temperature, heat, are automatically set. All that the user needs to do is choose the dish type and weight and press start. The oven will do the rest.



### Step by step

Perfect food in 2, 3 or more steps

Cooking in phases is achieved by manually programming the many steps of the baking process. Throughout all the steps of the automatic cooking process there is no need to change the settings manually. It is also ideal for more experienced users and for dishes like bread and lasagne, which need temperature changes.

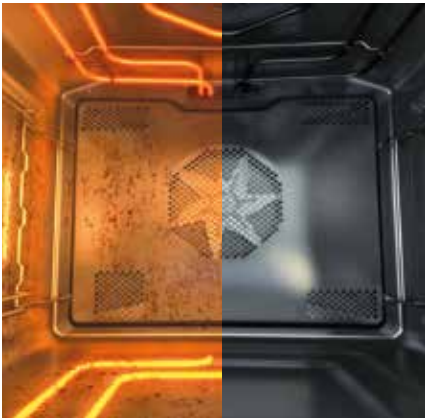


## SilverMatte

Ultra resistant, ultra smooth coating

Enamel quality and type are exceptionally important for the oven and its operation. SilverMatte is a highly resistant and strong material that can stand extreme heats, even pyrolytic cleaning at 500 °C. Free from micro pores, it coats oven surfaces and

baking trays, making them resistant to the highest temperatures, microwaves and steam. The triple coating of the interior supports heat reflection and provides additional insulation. Therefore, the oven interior always stays sterile and safe.



## PyroClean

Premium self-cleaning function

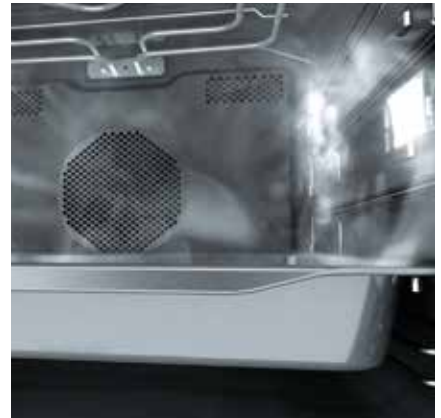
Pyrolytic cleaning is the most efficient and advanced way to clean an oven. The high cleaning temperature of up to 500°C leaves the oven completely clean, without a spot of grease. Gentle cleaning is over in 90 minutes, medium intensity cleaning ends in 120 minutes, while very intensive cleaning takes only 150 minutes where the effect is according to the duration. At the end, only the leftovers need to be wiped away. The oven is locked during and immediately after the cleaning process, which makes it family-friendly.



## CataClean

A surface that stands no grease

Catalytic cleaning represents a great assistance in oven maintenance. When the oven reaches 85°C or more during the baking process, catalytic panels automatically start absorbing the grease and impurities.



## AquaClean

Simple, casual cleaning

Due to completely new enamel in all lines of new Gorenje ovens, AquaClean function has been significantly improved. AquaClean offers great assistance in cleaning of the oven cavity. All it takes is to pour half a litre of water into a baking tray and turn AquaClean on after each baking. In just 30 minutes, the results are visible on the entire surface and the baking trays. Stains and grease are softened and can be wiped away more easily and the oven stays spotless.





## BigSpace

More space for greater cooking freedom

The new generation of Gorenje ovens conceals a shape within the upper part. Now the optimised airflow circulates inside at an even greater volume, circling completely freely. The increased capacity allows preparation of larger baking trays and larger quantities of food, while their outside dimensions remain the same. Instead of the previous 3, the Superior oven now enables using 5 levels at the same time. Capacities range up to 73l in standard ovens and up to 50l in microwave ovens, which is amongst the largest available on the market.



## GentleClose

Super easy and super silent

Only a soft touch is needed to close the oven door smoothly, without any noise.



## Dehydration

Great food, always at hand

Dried fruit, vegetables, herbs and meat can be easily prepared at home. Dehydration is possible on up to 5 levels at the same time, which saves time and energy.



## Yoghurt

A simple way to healthy stuff

A special function enables healthy yoghurt to be prepared at home. Automatic temperature and time settings provide optimal conditions that create homemade yoghurt in around 3 hours.





## DC+ System

The DynamiCooling system efficiently cools the oven exterior (or housing) to prevent any damage caused by high temperature. In ovens with the DynamiCooling+ system, the heat sensors regulate the cooling of the oven exterior walls until they reach a temperature of 60 °C. This is particularly convenient in ovens with the pyrolytic cleaning function which works with extremely high temperatures.



## UltraCoolDoor

Special triple or even quadruple glazing isolates the oven, making it even safer for children and pets. The heat is kept inside, optimising energy consumption by stopping heat escaping from the oven.



## SuperSize

More spacious ovens allow you to cook a larger quantity of food – not only because of even air circulation at all levels, but also because of the 46cm wide baking trays in both standard and compact ovens. Innovative solutions allow a larger interior and the oven width is fully used. There is more space on each baking tray and the superior technology makes sure the food is cooked evenly on all levels.



## TelescopicGuides

Smooth running telescopic guides provide a perfect overview of the process on all levels. This means safer and easier removal and cleaning. Gorenje ovens feature fully pulled out guides on three levels in Superior line. During the pyrolytic cleaning, they should be removed from the oven.



## PerfectGrill

The best baking results are achieved with a combination of larger and smaller heaters, where the latter is positioned inside the larger one. The smart positioning of the grill allows optimal heat distribution and provides the ultimate baking results every time, so food is crispy on the outside and soft on the inside. A variable grill combination can use either the inner or outer heater, or both at once. In advanced models, the heater is movable for easier cleaning and maintenance.



## AutoRoast

The AutoRoast function first heats the oven to 230°C. The food is roasted for 30 minutes and then the temperature drops to the set level. A smart combination of time and temperature creates ideal roasting conditions. As a result, meat is crispy and well done on the outside and perfectly soft and tender on the inside.



## MeatProbe

By controlling the temperature inside the meat, the MeatProbe manages the entire process and even activates the alarm when the time is right.



## TouchFree coating

All stainless steel surfaces are coated with a special TouchFree film that prevents fingerprints markings, leaving the surface always shiny and making cleaning much easier.



## FastPreheat

The oven reaches a temperature of up to 200°C in just 6 minutes, saving 30 % of the time needed by standard preheating. This comes in handy for recipes that require a preheated oven. A light and sound signal informs when the temperature is right.



## SlowBake

SlowBake bakes food at low temperatures for up to 6 hours. Due to the long preparation periods, meat and fish are softened but retain their juiciness, aroma and nutrients.

# Different layouts and combinations



BO 547 S10X &amp; WD 1410 X

## Matching design

The Gorenje Superior line of 60cm ovens, 45cm compact ovens and coffee machine are designed to allow a number of different layouts and combinations. Regardless of whether the appliances are fitted in a column, in a row, square, or in a T-shape, they will endow your kitchen with a new sense of harmony and offer total alignment of the fascia panels and handles between all of the "Superior Range" models.



CMA 9200 UX & WD 1410 X

BCM 547 S12X & WD 1410 X



BOP 747 S32X  
BCM 547 S12X & WD 1410 X



BOP 747 S32X  
BCM 547 S12X & WD 1410 X  
BO 747 S30X  
CMA 9200 UX & WD 1410 X



BOP 747 S32X  
BO 747 S30X  
CMA 9200 UX & WD 1410 X  
BCM 547 S12X & WD 1410 X

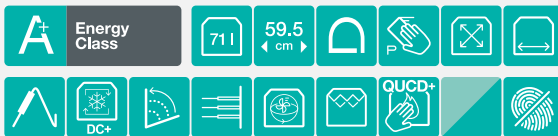


AUTO programs



**BOP 799 S51X**  
Built-in pyrolytic single oven

Superior Line



- Colour: Stainless steel
- Handle colour: Stainless steel
- Control panel material: Glass and stainless steel
- GentleClose door hinge

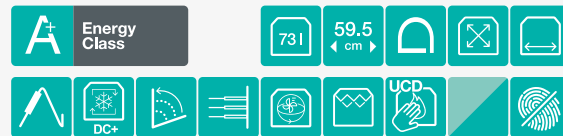


AUTO programs



**BO 799 S50X**  
Built-in single oven

Superior Line



- Colour: Stainless steel
- Handle colour: Stainless steel
- Control panel material: Glass and stainless steel
- GentleClose door hinge

<b>Efficiency</b>	<ul style="list-style-type: none"> <li>- Multisystem oven BigSpace - 71 l</li> <li>- SuperSize baking area</li> <li>- HomeMADE® modelled on traditional wood-fired bread oven</li> <li>- PerfectGrill</li> </ul>	<ul style="list-style-type: none"> <li>- Multisystem oven BigSpace - 73 l</li> <li>- SuperSize baking area</li> <li>- Surface of the largest baking pan: 1316 cm<sup>2</sup></li> <li>- HomeMADE® modelled on traditional wood-fired bread oven</li> <li>- PerfectGrill</li> </ul>
<b>Control</b>	<ul style="list-style-type: none"> <li>- Electronic control</li> <li>- HomeChef, electronic programme module</li> <li>- Auto programme</li> </ul>	<ul style="list-style-type: none"> <li>- Electronic control</li> <li>- HomeChef, electronic programme module</li> <li>- Auto programme</li> </ul>
<b>Heating types</b>		
<b>Features</b>	<ul style="list-style-type: none"> <li>- Step by Step // Double lightning // Baking on different levels at the same time // MultiFlow 360°</li> </ul>	<ul style="list-style-type: none"> <li>- Step by Step // Double lightning // Baking on different levels at the same time // MultiFlow 360°</li> </ul>
<b>Equipment</b>	<ul style="list-style-type: none"> <li>- 1 Deep enameled pyrolytic pan // 2 Shallow enameled baking pans</li> <li>- 1 Glass baking pan // 1 Wire shelf</li> <li>- 1 Meat probe</li> <li>- Pyrolytic wire oven guides</li> <li>- Fully extendable telescopic oven guides – 3 levels</li> </ul>	<ul style="list-style-type: none"> <li>- 1 Deep enameled baking pan</li> <li>- 2 Shallow enameled baking pans</li> <li>- 1 Glass baking pan // 1 Wire shelf</li> <li>- 1 Meat probe</li> <li>- Fully extendable telescopic oven guides – 3 levels</li> </ul>
<b>Safety</b>	<ul style="list-style-type: none"> <li>- Thermoelectric fuse</li> <li>- Dynamic oven cooling plus - DC+</li> <li>- Quadruple glazed oven door with double heat deflector (UltraCoolDoorQuadro+)</li> <li>- Mechanic door safety bolt</li> </ul>	<ul style="list-style-type: none"> <li>- Thermoelectric fuse</li> <li>- Dynamic oven cooling plus - DC+</li> <li>- Triple glazed oven door with double heat deflector (UltraCoolDoor)</li> <li>- Mechanic door safety bolt</li> </ul>
<b>EasyCleaning</b>	<ul style="list-style-type: none"> <li>- Pyrolytic cleaning</li> <li>- SilverMatte (easy clean enamel surface)</li> <li>- TouchFree Inox</li> <li>- Smooth oven door surface</li> </ul>	<ul style="list-style-type: none"> <li>- AquaClean function</li> <li>- SilverMatte (easy clean enamel surface)</li> <li>- TouchFree Inox</li> <li>- Smooth oven door surface</li> </ul>
<b>Technical data</b>	<ul style="list-style-type: none"> <li>- Energy consumption: 0.69 kWh (venting), 0.94 kWh (conventional)</li> <li>- Connected load: 3400 W</li> <li>- Product dimensions (HxWxD): 59.5 × 59.5 × 54.6 cm</li> <li>- Niche dimensions (HxWxD): 59 × 56.4 × 55 cm</li> <li>- EAN code: 3838942050602</li> <li>- Product code: 498530</li> </ul>	<ul style="list-style-type: none"> <li>- Energy consumption: 0.70 kWh (venting), 0.94 kWh (conventional)</li> <li>- Connected load: 3400 W</li> <li>- Product dimensions (HxWxD): 59.5 × 59.5 × 54.6 cm</li> <li>- Niche dimensions (HxWxD): 59 × 56 × 55 cm</li> <li>- EAN code: 3838942050596</li> <li>- Product code: 498529</li> </ul>

2  
YEAR  
WARRANTY

### BOP 747 S32X

Built-in pyrolytic single oven

Superior Line



- Colour: Stainless steel
- Handle colour: Stainless steel
- Control panel material: Glass and stainless steel
- GentleClose door hinge

2  
YEAR  
WARRANTY

### BO 747 S30X

Built-in single oven

Superior Line



- Colour: Stainless steel
- Handle colour: Stainless steel
- Control panel material: Glass and stainless steel
- GentleClose door hinge

<b>Efficiency</b>	<ul style="list-style-type: none"> <li>- Multisystem oven BigSpace - 71 l</li> <li>- SuperSize baking area</li> <li>- Surface of the largest baking pan: 1316 cm<sup>2</sup></li> <li>- HomeMADE® modelled on traditional wood-fired bread oven</li> <li>- PerfectGrill</li> </ul>	<ul style="list-style-type: none"> <li>- Multisystem oven BigSpace - 73 l</li> <li>- SuperSize baking area</li> <li>- Surface of the largest baking pan: 1316 cm<sup>2</sup></li> <li>- HomeMADE® modelled on traditional wood-fired bread oven</li> <li>- PerfectGrill</li> </ul>
<b>Control</b>	<ul style="list-style-type: none"> <li>- Electronic control</li> <li>- Knob shape: Illuminated sinkable knobs</li> <li>- IconTouch</li> </ul>	<ul style="list-style-type: none"> <li>- Electronic control</li> <li>- Knob shape: Illuminated sinkable knobs</li> <li>- IconTouch</li> </ul>
<b>Heating types</b>		
<b>Features</b>	<ul style="list-style-type: none"> <li>- Illumination // Baking on different levels at the same time // MultiFlow 360°</li> </ul>	<ul style="list-style-type: none"> <li>- Illumination // Baking on different levels at the same time // MultiFlow 360°</li> </ul>
<b>Equipment</b>	<ul style="list-style-type: none"> <li>- 1 Deep enameled pyrolytic pan</li> <li>- 2 Shallow enameled pyrolytic pans // 1 Wire shelf</li> <li>- 1 Meat probe</li> <li>- Pyrolytic wire guides</li> <li>- Fully extendable telescopic oven guides - 2 levels</li> </ul>	<ul style="list-style-type: none"> <li>- 1 Deep enameled baking pan</li> <li>- 2 Shallow enameled baking pans</li> <li>- 1 Wire shelf</li> <li>- 1 Meat probe</li> <li>- Fully extendable telescopic oven guides - 2 levels</li> </ul>
<b>Safety</b>	<ul style="list-style-type: none"> <li>- Thermoelectric fuse</li> <li>- Dynamic oven cooling plus - DC+</li> <li>- Quadruple glazed oven door with double heat deflector (UltraCoolDoorQuadro+)</li> </ul>	<ul style="list-style-type: none"> <li>- Thermoelectric fuse</li> <li>- Dynamic oven cooling plus - DC+</li> <li>- Triple glazed oven door with double heat deflector (UltraCoolDoor)</li> </ul>
<b>EasyCleaning</b>	<ul style="list-style-type: none"> <li>- Pyrolytic cleaning</li> <li>- SilverMatte (easy clean enamel surface)</li> <li>- TouchFree Inox</li> <li>- Smooth oven door surface</li> </ul>	<ul style="list-style-type: none"> <li>- AquaClean function</li> <li>- SilverMatte (easy clean enamel surface)</li> <li>- TouchFree Inox</li> <li>- Smooth oven door surface</li> </ul>
<b>Technical data</b>	<ul style="list-style-type: none"> <li>- Energy consumption: 0.69 kWh (venting), 0.94 kWh (conventional)</li> <li>- Connected load: 3400 W</li> <li>- Product dimensions (HxWxD): 59.5 × 59.5 × 54.6 cm</li> <li>- Niche dimensions (HxWxD): 59 × 56.4 × 55 cm</li> <li>- EAN code: 3838942030468</li> <li>- Product code: 479679</li> </ul>	<ul style="list-style-type: none"> <li>- Energy consumption: 0.70 kWh (venting), 0.94 kWh (conventional)</li> <li>- Connected load: 3400 W</li> <li>- Product dimensions (HxWxD): 59.5 × 59.5 × 54.6 cm</li> <li>- Niche dimensions (HxWxD): 59 × 56 × 55 cm</li> <li>- EAN code: 3838942030451</li> <li>- Product code: 479680</li> </ul>



AUTO programs



**BO 547 S10X**  
Built-in compact oven

Superior Line

**BCS 599 S22X**  
Built-in compact steam oven

Superior Line

Energy Class A+ 50 l 59.5 cm 45.5 cm

Energy Class A+ 50 l 59.5 cm 45.5 cm

- Colour: Stainless steel
- Handle colour: Stainless steel
- Control panel material: Glass and stainless steel
- GentleClose door hinge

- Colour: Stainless steel
- Handle colour: Stainless steel
- Control panel material: Glass and stainless steel
- GentleClose door hinge

<b>Efficiency</b>	<ul style="list-style-type: none"> <li>- Multisystem compact oven - 50 l</li> <li>- SuperSize baking area</li> <li>- HomeMADE® modelled on traditional wood-fired bread oven</li> <li>- PerfectGrill</li> </ul>	<ul style="list-style-type: none"> <li>- Compact steam oven - 50 l</li> <li>- SuperSize baking area</li> <li>- HomeMADE® modelled on traditional wood-fired bread oven</li> <li>- PerfectGrill</li> <li>- MultiSteam 360°</li> </ul>
<b>Control</b>	<ul style="list-style-type: none"> <li>- Electronic control</li> <li>- Knob shape: Illuminated sinkable knobs</li> <li>- IconTouch</li> </ul>	<ul style="list-style-type: none"> <li>- Electronic control</li> <li>- HomeChef, electronic programme module</li> <li>- Auto programme</li> </ul>
<b>Heating types</b>		
<b>Features</b>	<ul style="list-style-type: none"> <li>- Illumination // Baking on different levels at the same time // MultiFlow 360°</li> </ul>	<ul style="list-style-type: none"> <li>- Step by Step // PureSteam // Double lightning // Baking on different levels at the same time // MultiFlow 360°</li> </ul>
<b>Equipment</b>	<ul style="list-style-type: none"> <li>- 1 Deep baking pan</li> <li>- 1 Shallow enameled pan</li> <li>- 1 Wire shelf</li> <li>- 1 Meat probe</li> <li>- Wire oven guides</li> </ul>	<ul style="list-style-type: none"> <li>- 1 Steam tray</li> <li>- 1 Shallow enameled baking pan</li> <li>- 1 Perforated steam tray // 1 Wire shelf // 1 Meat probe</li> <li>- Fully extendable telescopic oven guides - 1 level</li> <li>- Water container: 1,3 l</li> </ul>
<b>Safety</b>	<ul style="list-style-type: none"> <li>- Thermoelectric fuse</li> <li>- Dynamic oven cooling plus - DC+</li> <li>- Triple glazed oven door with double heat deflector (UltraCoolDoor)</li> </ul>	<ul style="list-style-type: none"> <li>- Thermoelectric fuse</li> <li>- Dynamic oven cooling plus - DC+</li> <li>- Triple glazed oven door with double heat deflector (UltraCoolDoor)</li> </ul>
<b>EasyCleaning</b>	<ul style="list-style-type: none"> <li>- AquaClean function</li> <li>- SilverMatte (easy clean enamel surface)</li> <li>- TouchFree Inox</li> <li>- Smooth oven door surface</li> </ul>	<ul style="list-style-type: none"> <li>- AquaClean function</li> <li>- Descaling // SilverMatte (easy clean enamel surface)</li> <li>- TouchFree Inox</li> <li>- Smooth oven door surface</li> </ul>
<b>Technical data</b>	<ul style="list-style-type: none"> <li>- Energy consumption: 0.62 kWh (venting), 0.83 kWh (conventional)</li> <li>- Connected load: 2600 W</li> <li>- Product dimensions (HxWxD): 45.5 × 59.5 × 54.6 cm</li> <li>- Niche dimensions (HxWxD): 45 × 56 × 55 cm</li> <li>- EAN code: 3838942050619</li> <li>- Product code: 498541</li> </ul>	<ul style="list-style-type: none"> <li>- Energy consumption: 0.62 kWh (venting), 0.82 kWh (conventional)</li> <li>- Connected load: 2600 W</li> <li>- Product dimensions (HxWxD): 45.5 × 59.5 × 54.6 cm</li> <li>- Niche dimensions min-max (HxWxD): 45 × 56 × 55 cm</li> <li>- EAN code: 3838782000263</li> <li>- Product code: 569123</li> </ul>





## BO 658 A41XG

Built-in single oven

Advanced Line



- Colour: Stainless steel
- Handle colour: Stainless steel
- Control panel material: Glass and stainless steel
- GentleClose door hinge

## BOP 647 A12XG

Built-in pyrolytic single oven

Advanced Line



- Colour: Stainless steel
- Handle colour: Stainless steel
- Control panel material: Glass and stainless steel
- GentleClose door hinge

<b>Efficiency</b>	<ul style="list-style-type: none"> <li>- Multisystem oven BigSpace - 65 l</li> <li>- SuperSize baking area</li> <li>- Surface of the largest baking pan: 1316 cm<sup>2</sup></li> <li>- HomeMADE® modelled on traditional wood-fired bread oven</li> <li>- PerfectGrill</li> </ul>	<ul style="list-style-type: none"> <li>- Multisystem oven BigSpace - 63 l</li> <li>- SuperSize baking area</li> <li>- Surface of the largest baking pan: 1316 cm<sup>2</sup></li> <li>- HomeMADE® modelled on traditional wood-fired bread oven</li> <li>- PerfectGrill</li> </ul>
<b>Control</b>	<ul style="list-style-type: none"> <li>- Electronic control</li> <li>- DirecTouch</li> </ul>	<ul style="list-style-type: none"> <li>- Electronic control</li> <li>- Knob shape: Illuminated sinkable knobs</li> <li>- IconTouch</li> </ul>
<b>Heating types</b>		
<b>Features</b>	<ul style="list-style-type: none"> <li>- Illumination</li> <li>- Baking on different levels at the same time</li> </ul>	<ul style="list-style-type: none"> <li>- Illumination</li> <li>- Baking on different levels at the same time</li> </ul>
<b>Equipment</b>	<ul style="list-style-type: none"> <li>- 1 Deep enameled baking pan</li> <li>- 1 Shallow enameled baking pan</li> <li>- 1 Wire shelf // 1 Meat probe</li> <li>- Partially extendable telescopic oven guides - 3 levels</li> <li>- Catalytic oven sides and backwall</li> </ul>	<ul style="list-style-type: none"> <li>- 1 Deep enameled pyrolytic pan</li> <li>- 1 Shallow enameled pyrolytic pan</li> <li>- 1 Wire shelf</li> <li>- Pyrolytic wire oven guides</li> </ul>
<b>Safety</b>	<ul style="list-style-type: none"> <li>- Thermoelectric fuse</li> <li>- Dynamic oven cooling plus - DC+</li> <li>- Triple glazed oven door with one heat deflector (CoolDoor)</li> <li>- Mechanic door safety bolt</li> </ul>	<ul style="list-style-type: none"> <li>- Thermoelectric fuse</li> <li>- Dynamic oven cooling plus - DC+</li> <li>- Quadruple glazed oven door with double heat deflector (UltraCoolDoorQuadro)</li> </ul>
<b>EasyCleaning</b>	<ul style="list-style-type: none"> <li>- Catalytic cleaning CataClean // AquaClean function</li> <li>- SilverMatte (easy clean enamel surface)</li> <li>- TouchFree Inox</li> <li>- Smooth oven door surface</li> </ul>	<ul style="list-style-type: none"> <li>- Pyrolytic cleaning</li> <li>- SilverMatte (easy clean enamel surface)</li> <li>- TouchFree Inox</li> <li>- Smooth oven door surface</li> </ul>
<b>Technical data</b>	<ul style="list-style-type: none"> <li>- Energy consumption: 0.67 kWh (venting), 0.92 kWh (conventional)</li> <li>- Connected load: 3300 W</li> <li>- Product dimensions (HxWxD): 59.5 × 59.7 × 54.7 cm</li> <li>- Niche dimensions min-max (HxWxD): 58.3-60 × 56-56.8 × 55 cm</li> <li>- EAN code: 3838942050732</li> <li>- Product code: 498576</li> </ul>	<ul style="list-style-type: none"> <li>- Energy consumption: 0.66 kWh (venting), 0.92 kWh (conventional)</li> <li>- Connected load: 3300 W</li> <li>- Product dimensions (HxWxD): 59.5 × 59.7 × 54.7 cm</li> <li>- Niche dimensions min-max (HxWxD): 58.3-60 × 56.4-56.8 × 55 cm</li> <li>- EAN code: 3838942052651</li> <li>- Product code: 498581</li> </ul>



**BO 647 A20XG** Advanced Line  
Built-in single oven

**BOP 637 E11X** Essential Line  
Built-in pyrolytic single oven

Energy Class **A+** 65 l 59.7 cm

Energy Class **A** 63 l 59.7 cm

- Colour: Stainless steel
- Handle colour: Stainless steel
- Control panel material: Glass and stainless steel
- GentleClose door hinge

- Colour: Stainless steel
- Handle colour: Stainless steel
- Control panel material: Stainless steel
- GentleClose door hinge

<b>Efficiency</b>	<ul style="list-style-type: none"> <li>- Multisystem oven BigSpace - 65 l</li> <li>- SuperSize baking area</li> <li>- Surface of the largest baking pan: 1316 cm<sup>2</sup></li> <li>- HomeMADE® modelled on traditional wood-fired bread oven</li> <li>- PerfectGrill</li> </ul>	<ul style="list-style-type: none"> <li>- Multisystem oven BigSpace - 63 l</li> <li>- SuperSize baking area</li> <li>- Surface of the largest baking pan: 1316 cm<sup>2</sup></li> <li>- HomeMADE® modelled on traditional wood-fired bread oven</li> <li>- PerfectGrill</li> </ul>
<b>Control</b>	<ul style="list-style-type: none"> <li>- Electronic control</li> <li>- Knob shape: Illuminated sinkable knobs</li> <li>- IconTouch</li> </ul>	<ul style="list-style-type: none"> <li>- Mechanic temperature control</li> <li>- Knob shape: Sinkable knobs</li> <li>- IconLed</li> </ul>
<b>Heating types</b>		
<b>Features</b>	<ul style="list-style-type: none"> <li>- Illumination</li> <li>- Baking on different levels at the same time</li> </ul>	<ul style="list-style-type: none"> <li>- Illumination</li> <li>- Baking on different levels at the same time</li> </ul>
<b>Equipment</b>	<ul style="list-style-type: none"> <li>- 1 Deep enameled baking pan</li> <li>- 1 Shallow enameled baking pan</li> <li>- 1 Wire shelf</li> <li>- Partially extendable telescopic oven guides - 1 level</li> <li>- Catalytic oven sides and backwall</li> </ul>	<ul style="list-style-type: none"> <li>- 1 Deep enameled baking pan</li> <li>- 1 Shallow enameled baking pan</li> <li>- 1 Wire shelf</li> <li>- Wire oven guides</li> </ul>
<b>Safety</b>	<ul style="list-style-type: none"> <li>- Thermoelectric fuse</li> <li>- Dynamic oven cooling plus - DC+</li> <li>- Triple glazed oven door with one heat deflector (CoolDoor)</li> <li>- Mechanic door safety bolt</li> </ul>	<ul style="list-style-type: none"> <li>- Thermoelectric fuse</li> <li>- Dynamic oven cooling plus - DC+</li> <li>- Quadruple glazed oven door with double heat deflector (UltraCoolDoorQuadro)</li> <li>- Mechanic door safety bolt</li> </ul>
<b>EasyCleaning</b>	<ul style="list-style-type: none"> <li>- Catalytic cleaning CataClean</li> <li>- AquaClean function</li> <li>- SilverMatte (easy clean enamel surface)</li> <li>- TouchFree Inox // Smooth oven door surface</li> </ul>	<ul style="list-style-type: none"> <li>- Pyrolytic cleaning</li> <li>- SilverMatte (easy clean enamel surface)</li> <li>- TouchFree Inox</li> <li>- Smooth oven door surface</li> </ul>
<b>Technical data</b>	<ul style="list-style-type: none"> <li>- Energy consumption: 0.67 kWh (venting), 0.92 kWh (conventional)</li> <li>- Connected load: 3300 W</li> <li>- Product dimensions (HxWxD): 59.5 × 59.7 × 54.7 cm</li> <li>- Niche dimensions min-max (HxWxD): 58.3-60 × 56-56.8 × 55 cm</li> <li>- EAN code: 3838942052668</li> <li>- Product code: 498580</li> </ul>	<ul style="list-style-type: none"> <li>- Energy consumption: 0.86 kWh (venting), 0.92 kWh (conventional)</li> <li>- Connected load: 3300 W</li> <li>- Product dimensions (HxWxD): 59.5 × 59.7 × 54.7 cm</li> <li>- Niche dimensions min-max (HxWxD): 58.3-60 × 56.4-56.8 × 55 cm</li> <li>- EAN code: 3838942030444</li> <li>- Product code: 479711</li> </ul>

**BO 635 E11BUK**

- Colour: Black
- EAN code: 3838942030420
- Product code: 479713

**BO 635 E11XUK**  
Built-in single oven

Essential Line



- Colour: Stainless steel
- Handle colour: Stainless steel
- Control panel material: Stainless steel
- GentleClose door hinge

**BO 635 E01XKUK**  
Built-in single oven

Essential Line



- Colour: Stainless steel
- Handle colour: Stainless steel
- Control panel material: Stainless steel
- Classic door hinge

<b>Efficiency</b>	<ul style="list-style-type: none"> <li>- Multisystem oven BigSpace - 65 l</li> <li>- SuperSize baking area</li> <li>- HomeMADE® modelled on traditional wood-fired bread oven</li> <li>- PerfectGrill</li> </ul>	<ul style="list-style-type: none"> <li>- Multisystem oven BigSpace - 61 l</li> <li>- HomeMADE® modelled on traditional wood-fired bread oven</li> <li>- PerfectGrill</li> </ul>
<b>Control</b>	<ul style="list-style-type: none"> <li>- Mechanic temperature control</li> <li>- Knob shape: Sinkable knobs</li> <li>- IconLed</li> </ul>	<ul style="list-style-type: none"> <li>- Mechanic temperature control</li> <li>- Knob shape: Ergonomic knobs</li> <li>- IconLed</li> </ul>
<b>Heating types</b>		
<b>Features</b>	<ul style="list-style-type: none"> <li>- Illumination</li> </ul>	<ul style="list-style-type: none"> <li>- Illumination</li> </ul>
<b>Equipment</b>	<ul style="list-style-type: none"> <li>- 1 Deep enameled baking pan</li> <li>- 1 Shallow enameled baking pan</li> <li>- 1 Wire shelf</li> <li>- Wire oven guides</li> </ul>	<ul style="list-style-type: none"> <li>- 1 Deep enameled baking pan</li> <li>- 1 Wire shelf</li> <li>- Drawn oven guides</li> </ul>
<b>Safety</b>	<ul style="list-style-type: none"> <li>- Thermoelectric fuse</li> <li>- Dynamic oven cooling - DC</li> <li>- Triple glazed oven door with one heat deflector (CoolDoor)</li> </ul>	<ul style="list-style-type: none"> <li>- Thermoelectric fuse</li> <li>- Dynamic oven cooling - DC</li> <li>- Double glazed oven door with one heat deflector (CompactDoor)</li> </ul>
<b>EasyCleaning</b>	<ul style="list-style-type: none"> <li>- AquaClean function</li> <li>- SilverMatte (easy clean enamel surface)</li> <li>- TouchFree Inox</li> </ul>	<ul style="list-style-type: none"> <li>- AquaClean function</li> <li>- SilverMatte (easy clean enamel surface)</li> <li>- TouchFree Inox</li> </ul>
<b>Technical data</b>	<ul style="list-style-type: none"> <li>- Energy consumption: 0.86 kWh (venting), 0.92 kWh (conventional)</li> <li>- Connected load: 2700 W</li> <li>- Product dimensions (HxWxD): 59.5 × 59.7 × 54.7 cm</li> <li>- Niche dimensions min-max (HxWxD): 58.3-60 × 56-56.8 × 55 cm</li> <li>- EAN code: 3838942030437</li> <li>- Product code: 479712</li> </ul>	<ul style="list-style-type: none"> <li>- Energy consumption: 0.86 kWh (venting), 0.92 kWh (conventional)</li> <li>- Connected load: 2700 W</li> <li>- Product dimensions (HxWxD): 59.5 × 59.7 × 54.7 cm</li> <li>- Niche dimensions min-max (HxWxD): 58.3-60 × 56-56.8 × 55 cm</li> <li>- EAN code: 3838942050688</li> <li>- Product code: 498573</li> </ul>



**BD 2136 AX**  
Built-in double oven

**BDU 2136 AX**  
Built under double oven

**B** Energy Class    **A** Energy Class

59.4 cm    40 l    65 l

**B** Energy Class    **A** Energy Class

59.5 cm    40 l    50 l

- Handle colour: Stainless steel
- Control panel material: Glass

- Handle colour: Stainless steel
- Control panel material: Glass

**Top oven**

- Conventional oven - 40 litres capacity
- 
- Wire shelf guides with three levels
- Grill

- Conventional oven - 40 litres capacity
- 
- Wire shelf guides with three levels
- Grill

**Main oven**

- Multifunction oven - 65 litres capacity
- 
- Wire shelf guides with three levels
- Grill

- Multifunction oven - 50 litres capacity
- 
- Wire shelf guides with three levels
- Grill

**Features**

- Electronic timer

- Electronic timer

**Double oven equipment**

- Top oven*
- Grill grid, baking tray
- Main oven*
- 1 Grill grid
  - 1 Shallow pan + trivet
  - 1 Grill pan handle
  - Rounded metal strips

- Top oven*
- Grill grid, baking tray
- Main oven*
- 1 Grill grid
  - 1 Shallow pan + trivet
  - 1 Grill pan handle
  - Rounded metal strips

**Technical data**

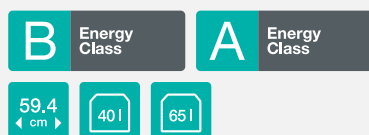
- Connection rating: 4900 W
- Dimensions (HxWxD): 88.8 x 59.4 x 56.1 cm
- Aperture dimensions (HxWxD): 88 x 56 x 56 cm
- EAN code: 3838942820830
- Product code: 399135

- Connection rating: 4100 W
- Dimensions (HxWxD): 71.5 x 59.5 x 56.7 cm
- Aperture dimensions (HxWxD): 71.7 x 56.2-56.5 x 56 cm
- EAN code: 3838942861970
- Product code: 408269



## BD 2116 AX

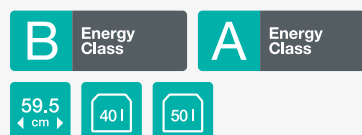
Built-in double oven



- Handle colour: Stainless steel
- Control panel material: Stainless steel

## BDU 2116 AX

Built under double oven



- Handle colour: Stainless steel
- Control panel material: Stainless steel

<b>Top oven</b>	<ul style="list-style-type: none"> <li>- Conventional oven - 40 litres capacity</li> <li></li> <li>- Wire shelf guides with three levels</li> <li>- Grill</li> </ul>	<ul style="list-style-type: none"> <li>- Conventional oven - 40 litres capacity</li> <li></li> <li>- Wire shelf guides with three levels</li> <li>- Grill</li> </ul>
<b>Main oven</b>	<ul style="list-style-type: none"> <li>- Fan oven - 65 litres capacity</li> <li></li> <li>- Wire shelf guides with three levels</li> </ul>	<ul style="list-style-type: none"> <li>- Fan oven - 50 litres capacity</li> <li></li> <li>- Wire shelf guides with three levels</li> </ul>
<b>Features</b>	- Electronic timer	- Electronic timer
<b>Double oven equipment</b>	<p><i>Top oven</i></p> <ul style="list-style-type: none"> <li>- Wire shelf</li> </ul> <p><i>Main oven</i></p> <ul style="list-style-type: none"> <li>- Shallow grill pan and trivet</li> <li>- Wire shelf</li> </ul>	<p><i>Top oven</i></p> <ul style="list-style-type: none"> <li>- Wire shelf</li> </ul> <p><i>Main oven</i></p> <ul style="list-style-type: none"> <li>- Shallow grill pan and trivet</li> <li>- Wire shelf</li> </ul>
<b>Technical data</b>	<ul style="list-style-type: none"> <li>- Connection rating: 4150 W</li> <li>- Dimensions (HxWxD): 88.8 x 59.4 x 56.1</li> <li>- Aperture dimensions (HxWxD): 88 x 56 x 56 cm</li> <li>- EAN code: 3838942545795</li> <li>- Product code: 253643</li> </ul>	<ul style="list-style-type: none"> <li>- Connection rating: 3850 W</li> <li>- Dimensions (HxWxD): 71.5 x 59.5 x 56.7 cm</li> <li>- Aperture dimensions (HxWxD): 71.7 x 56.2-56.5 x 56 cm</li> <li>- EAN code: 3838942545801</li> <li>- Product code: 253645</li> </ul>

# A MULTI-TALENTED OVEN

## Microwave ovens

A microwave oven is an indispensable tool in any modern kitchen. It allows preparing tasty and healthy food to support you in your life on the fast lane. Advanced technology makes sure the food is evenly thawed or heated. In addition to microwaves, these appliances also allow cooking with grill or hot air.

Thus, a built-in microwave oven can also be used as a conventional oven. Needless to say, they are equally impressive on the outside. They are designed to match the rest of Gorenje's built-in family of appliances.







BO 747 S30X

BCM 547 S12X & WD 1410 X



### Inverter Technology

Gentle treatment for tastier food

Because of Inverter technology the energy is evenly distributed instead of pulsating. As a result, the food retains its initial structure, including its vitamins, minerals and fibres. The advantages of the even energy distribution are particularly

welcome when reheating or defrosting, and when cooking liquids. The overall microwaving time is shorter, which lowers energy consumption as well.



### Stirrer Technology

Trays of all sizes are welcome

The Stirrer technology permits a standard-size baking tray to be placed in a microwave oven. The oven's entire width is used, saying goodbye to conventional turntables and uneven heating. The advanced microwave distribution system heats the food uniformly across the entire volume.







### BCM 547 S12X Superior Line

Combined compact microwave oven

### BM 251 S7XG Superior Line

Built-in microwave oven



- Colour: Stainless steel
- Handle colour: Stainless steel
- Control panel material: Glass and stainless steel
- Classic door hinge

- Colour: Black
- Control panel material: Glass
- Door material: Glass
- Stainless steel oven interior
- Door opening: Left
- Door open type: Button
- Double-glazed oven door

<b>Efficiency</b>	<ul style="list-style-type: none"> <li>- Combined microwave oven - 50 l</li> <li>- SuperSize baking area</li> <li>- HomeMADE® modelled on traditional wood-fired bread oven</li> <li>- Microwave power: 1000 W</li> <li>- Grill power: 2200 W</li> </ul>	<ul style="list-style-type: none"> <li>- Oven volume: 25 l</li> <li>- Microwave power: 900 W</li> <li>- Power of upper infra heater: 1100 W</li> <li>- Number of infra heaters: 1</li> <li>- Convection: 2500 W</li> <li>- Technology of producing microwaves: Standard technology (HVT)</li> <li>- Type of microwave distribution: Rotating plate</li> </ul>
<b>Control</b>	<ul style="list-style-type: none"> <li>- Electronic control</li> <li>- Knob shape: Illuminated sinkable knobs</li> <li>- IconTouch</li> </ul>	<ul style="list-style-type: none"> <li>- Electronic control</li> <li>- Input type Touch control</li> <li>- Type of display: LCD display</li> </ul>
<b>Heating types</b>		<ul style="list-style-type: none"> <li>- Combined heating: Microwaves / Grill / Hot air</li> </ul>
<b>Features</b>	<ul style="list-style-type: none"> <li>- MultiUse</li> <li>- Inverter technology</li> <li>- Stirrer technology</li> <li>- Illumination</li> <li>- Baking on different levels at the same time</li> <li>- MultiFlow 360°</li> </ul>	<ul style="list-style-type: none"> <li>- AUTO menu</li> <li>- Time display</li> </ul>
<b>Equipment</b>	<ul style="list-style-type: none"> <li>- 1 Shallow enameled baking pan</li> <li>- 1 Glass baking pan</li> <li>- 1 Wire shelf</li> <li>- Wire oven guides</li> </ul>	<ul style="list-style-type: none"> <li>- Rotating glass plate</li> <li>- Rotating grid</li> </ul>
<b>Safety</b>	<ul style="list-style-type: none"> <li>- Thermoelectric fuse</li> <li>- Dynamic oven cooling plus - DC+</li> <li>- Triple glazing with a protective grid</li> </ul>	<ul style="list-style-type: none"> <li>- Door safety bolt</li> </ul>
<b>EasyCleaning</b>	<ul style="list-style-type: none"> <li>- SilverMatte // TouchFree Inox // Smooth oven door surface</li> </ul>	
<b>Technical data</b>	<ul style="list-style-type: none"> <li>- Connection rating: 3000 W</li> <li>- Product dimensions (HxWxD): 45.5 × 59.5 × 54.6 cm</li> <li>- Niche dimensions (HxWxD): 45 × 56 × 55 cm</li> <li>- EAN code: 3838942050725</li> <li>- Product code: 498542</li> </ul>	<ul style="list-style-type: none"> <li>- Connection rating: 1450 W</li> <li>- Product dimensions (HxWxD): 38.8 × 59.5 × 47 cm</li> <li>- Niche dimensions (HxWxD): 38 × 56.7 × 55 cm</li> <li>- EAN code: 3838942001437</li> <li>- Product code: 470736</li> <li>- BM 251 S7XG comes with a European plug as standard</li> </ul>

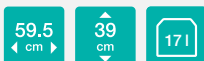


### BM 171 A4XG Built-in microwave oven

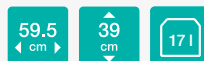
Advanced Line

### BM 171 E2XG Built-in microwave oven



Essential Line



- Colour: Black
- Control panel material: Glass
- Door material: Glass
- Stainless steel oven interior
- Door opening: Left
- Door open type: Button
- Double-glazed oven door



- Colour: Black
- Control panel material: Glass
- Door material: Glass
- Stainless steel oven interior
- Door opening: Left
- Door open type: Button
- Double-glazed oven door

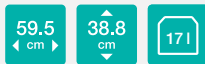
<b>Efficiency</b>	<ul style="list-style-type: none"> <li>- Oven volume: 17 l</li> <li>- Microwave power: 700 W</li> <li>- Power of upper infra heater: 1000 W</li> <li>- Number of infra heaters: 1</li> <li>- Technology of producing microwaves: Standard technology (HVT)</li> <li>- Type of microwave distribution: Rotating plate</li> </ul>	<ul style="list-style-type: none"> <li>- Oven volume: 17 l</li> <li>- Microwave power: 700 W</li> <li>- Power of upper infra heater: 1000 W</li> <li>- Number of infra heaters: 1</li> <li>- Technology of producing microwaves: Standard technology (HVT)</li> <li>- Type of microwave distribution: Rotating plate</li> </ul>
<b>Control</b>	<ul style="list-style-type: none"> <li>- Electronic control</li> <li>- Input type: Button</li> <li>- LCD display</li> </ul>	<ul style="list-style-type: none"> <li>- Manual control</li> <li>- Input type: Button</li> </ul>
<b>Heating types</b>	 <ul style="list-style-type: none"> <li>- Combined heating: Microwaves + grill</li> </ul>	 <ul style="list-style-type: none"> <li>- Combined heating: Microwaves + grill</li> </ul>
<b>Features</b>	<ul style="list-style-type: none"> <li>- AUTO menu</li> </ul>	
<b>Equipment</b>	<ul style="list-style-type: none"> <li>- Rotating glass plate</li> <li>- Rotating grid</li> </ul>	<ul style="list-style-type: none"> <li>- Rotating glass plate</li> <li>- Rotating grid</li> </ul>
<b>Safety</b>	<ul style="list-style-type: none"> <li>- Door safety bolt</li> </ul>	<ul style="list-style-type: none"> <li>- Door safety bolt</li> </ul>
<b>EasyCleaning</b>		
<b>Technical data</b>	<ul style="list-style-type: none"> <li>- Connection rating: 1050 W</li> <li>- Product dimensions (HxWxD): 38.8 × 59.5 × 32 cm</li> <li>- Niche dimensions (HxWxD): 38 × 56 - 56.8 × min. 32 cm</li> <li>- EAN code: 3838942001444</li> <li>- Product code: 470738</li> <li>- BM 171 A4XG comes with a European plug as standard</li> </ul>	<ul style="list-style-type: none"> <li>- Connection rating: 1050 W</li> <li>- Product dimensions (HxWxD): 38.8 × 59.5 × 32 cm</li> <li>- Niche dimensions (HxWxD): 38 × 56 - 56.8 × min. 32 cm</li> <li>- EAN code: 3838942000904</li> <li>- Product code: 470348</li> <li>- BM 171 E2XG comes with a European plug as standard</li> </ul>




## BM 171 E2X

Built-in microwave oven

Essential Line



- Colour: Stainless steel
- Control panel material: Stainless steel
- Door material: Glass
- Stainless steel oven interior
- Door opening: Left
- Door open type: Button
- Double-glazed oven door

<b>Efficiency</b>	<ul style="list-style-type: none"> <li>- Oven volume: 17 l</li> <li>- Microwave power: 700 W</li> <li>- Power of upper infra heater: 1000 W</li> <li>- Number of infra heaters: 1</li> <li>- Technology of producing microwaves: Standard technology (HVT)</li> <li>- Type of microwave distribution: Rotating plate</li> </ul>
<b>Control</b>	<ul style="list-style-type: none"> <li>- Manual control</li> <li>- Input type: Button</li> </ul>
<b>Heating types</b>	 <ul style="list-style-type: none"> <li>- Combined heating: Microwaves + grill</li> </ul>
<b>Features</b>	
<b>Equipment</b>	<ul style="list-style-type: none"> <li>- Rotating glass plate</li> <li>- Rotating grid</li> </ul>
<b>Safety</b>	<ul style="list-style-type: none"> <li>- Door safety bolt</li> </ul>
<b>EasyCleaning</b>	
<b>Technical data</b>	<ul style="list-style-type: none"> <li>- Connection rating: 1050 W</li> <li>- Product dimensions (HxWxD): 38.8 × 59.5 × 32 cm</li> <li>- Niche dimensions (HxWxD): 38 × 56 - 56.8 × min. 32 cm</li> <li>- EAN code: 3838942001208</li> <li>- Product code: 470712</li> <li>- BM 171 E2X comes with a European plug as standard</li> </ul>

# NOTHING BUT PLEASURE

## Coffee machines

Perfect coffee is a serious challenge. Coffee beans need to be ground carefully, water temperature and the pressure needs to be set with precision, milk has to be warm enough and foamed to perfection. Nevertheless, a coffee cup shouldn't be cold either. Gorenje coffee machines will make mornings more enjoyable. Thought out coffee making process will extract the optimal flavour and create the enchanting smell that will bring a perfect start of the day.







### PerfectCoffee

Favourite flavour and amount

Flavour intensity of your coffee can be adjusted using the touch controls and the LCD display. Five flavours are available: very mild, mild, normal, strong, and extra strong. Moreover, the amount can also be set: small, medium, large. The combination of flavour intensity and amount can be stored as a preset programme. Your favourite cup of coffee will thus be a touch of a symbol away. Alternatively, the appliance can be used to quickly dispense hot water for tea or other beverages.



### GrindingLevels

From dark beans to aromatic coffee

Coffee tastes best when made with freshly ground coffee beans. Gorenje coffee machines offer 9 different grinding levels, from super fine to extra coarse. The leftover pulp is automatically dispensed.



### CoffeeBean

Easy mornings

The coffee bean container is easily accessible as it can be pulled out. When needed ground coffee can also be used instead of beans. When the machine runs out of coffee beans, a warning will appear on the display.



### EasyMilk

Creamy milk foam always at hand

Gorenje coffee machines feature a large milk container for cappuccino or latte, both can be prepared with desired amount of milk. A large milk container allows several cups of hot milk to be made without the need to refill. It is easily removable and can be simply pulled out and stored in the refrigerator until the next time you need it.



### AutoCappuccino

From cappuccino to latte, in a second

The AutoCappuccino feature forces the water through ground coffee beans in a way that extracts the full aroma and creates truly genuine flavour. The desired level of milk foam can be set.



### Warming Drawer

Staying perfect for the latecomers

The warming drawer can be positioned underneath a coffee machine or a combined microwave oven. The drawer can be used to heat up tableware, reheat food, or keep the food and beverages deliciously warm for any given time.



### CMA 9200 UX Superior Line

Automatic built-in coffee machine

### WD 1410 X Superior Line

Warming drawer



- Colour: Stainless steel

- Colour: Stainless steel

<b>Efficiency</b>	- Brewing / steam heating time: 2 min	- Number of servings: Set for 6 persons or 20 dishes in diameter 28 cm or 80 coffee cups or 40 tea cups
<b>Control</b>	- Touch control - LCD display - Timer function - Coffee preparation mode: Bean and ground	
<b>Functions / Operating</b>		- Warming of plates - Warming of cups - Heat preservation - Defrosting of food - Yogurt - Manual setting of temperature and timer
<b>Features</b>	- Autocappuccino function - Number of different shots of espresso coffee: 3 - Own coffee setting according to the recipe - Possibility of 2 simultaneous brewed cups - Milk frothing option	- TouchFree Inox - Air vented circulation - Time setting: Stop - Touch control - Temperature setting - Telescopic pull-out mechanism - Cold front - Drawer bottom: Glass
<b>EasyCleaning</b>	- Descaling programme	
<b>Equipment</b>	- Lighting - Beans container: 200 g - Water container capacity: 1,8 l - Removable milk container - Tea brewing option	
<b>Safety</b>	- Automatic shut down	
<b>Technical data</b>	- Container water intake - Pump pressure: 15 bar - Product dimensions (HxWxD): 45.5 × 59.5 × 38.1 cm - Niche dimensions (HxWxD): 45 × 56 × 55 cm - EAN code: 3838942684388 - Product code: 465211 - CMA 9200 UX comes with a European plug as standard	- Usable volume: 19.8 l - Temperature range: 40 – 80 °C - Timer range: 60 – 240 min - Connection rating: 410 W - Product dimensions (HxWxD): 14 × 59.5 × 56 cm - Niche dimensions (HxWxD): 14 × 56-56.8 × 55 cm - EAN code: 3838942104787 - Product code: 466188

# PERFECT TASTE

## Hobs

We all want to cook like professionals, impress our guests and serve healthy meals to our families. Usually, this means special knowledge or professional equipment. Gorenje hobs are designed as easy-to-use tools that enable everyone to cook with great results. Induction hobs, ceramic hobs and gas hobs are all equipped with features that make cooking effortless.







# IQcook induction hob

## Smart cooking

Thanks to the cooperation between IQ sensor on the lid and the sensor inside the induction bottom of the IQcook, you are able to cook completely automatically. Wireless communication between the pot and the hob actually controls the procedure, providing fully automatic cooking on one, two or all four cooking zones.



IQ 634 USC

80%  
faster40%  
energy saving100%  
healthy meals100%  
sensor controlled100%  
automatic cooking

### IQsteam

Vitamins stay in

Cooking with a small quantity of water preserves vitamins, minerals and natural colour of vegetables. Believe it or not, all it takes to prepare 1kg of vegetables is 50ml of water.



## IQpro

A cooking marathon, made incredibly easy

IQpro offers a simple way to prepare dishes that require longer cooking times with slow warming up or cooking at a lower, constant temperature. Ideal for cooking dishes such as goulash.



## IQpoach

Exactly the right temperature

IQpoach keeps the temperature between 71 and 85°C and prevents overcooking. Food retains its natural colour, juices and flavour. The specific and constant temperature is ideal for recipes such as poaching an egg.



## IQgrill

Perfectly grilled steak

IQcook makes grilling thrillingly simple, even with very little or no oil. It prevents food from burning with 3 different levels of crispness. A simple way to the tastiest and healthiest barbecue ever.



## IQboil

No drop leaves the pan

Fast water boiling and constant temperature maintaining can happen without a drop being boiled over. Feel free to watch TV and relax, because your kitchen is safe and sound.

## Induction hobs

Induction hobs heat up twice as fast as Ceramic hobs, which makes them comparatively more economical and safe. An induction hob only heats the bottom of the pan while the remaining hob surface stays cool and always safe to touch. Temperature is adjusted instantly, by a simple touch, limiting the danger of boiling over. With such a hob melted chocolate, sophisticated sauces and other temperature-sensitive masterpieces become just a simple task.

## Fast and Economical

Time required to heat 2 l of water at 15° C to 90° C.

Gorenje induction with PowerBoost Supreme function	4.2 min
Gorenje induction with PowerBoost function	5.7 min
Induction	7.1 min
Ceramic	10 min



### PowerBoost Supreme

When in a hurry, don't worry

PowerBoost Supreme provides extreme heat intensity to the pot and significantly cuts waiting time. It takes just 4.2 minutes to boil 2l of water, which is extremely time-efficient. This function is found in some Superior models of Gorenje induction hobs.



### PowerBoost

Cooking on fast-forward

The PowerBoost function intensifies heating, resulting in significantly less heating-up time. It takes just 5.7 minutes to boil 2l of water from 15°C to 90°C, which is half the time of regular HiLight hobs.



**XpandZone**  
An XXL surface, for super large pots and pans

XpandZone allows cooking on almost the entire surface of the induction hob. When the XpandZone mode is activated, the cooking zones on the left or right side of the hob are combined into one extra-large cooking zone. Combined cooking zones

allow more space and freedom for cooking, space for larger cookware, or space for several smaller pots or pans that can be placed anywhere on the combined cooking zone.



**BridgeZone**  
A simple plan for super-sized pots

The induction hob with two connecting zones simplifies cooking in large-sized pots. Two separate cooking zones are bridged to form one with just a simple touch. Perfect for preparing bigger pieces of food and sides simultaneously.

**FishZone**  
An oval cooking zone, perfect for wider pots

Some of ceramic hobs have an expanded zone called a FishZone. When turned on, the traditional round cooking zone turns into a larger and oval surface that is especially suitable for wider pots.

## BoilControl

Automatically adjusts the operating power. After initially operating at maximum power, the cooking zone maintains the desired temperature to prevent boiling over or overcooking.

## Timer

The countdown timer can be set for up to 99 minutes. If the optimum cooking time for a particular dish is known from experience, the timer can be set and the hob will switch off automatically when completed. A beep will signal that the food is ready.

## Stop&Go

The Stop&Go function stops the cooking and continues with the same settings after being re-activated.

## ChildLock

ChildLock option is excellent for those who have children at home. Leaving them in a kitchen alone has never been safer, since this option prevents them from resetting any parameters.

## StayWarm

The StayWarm function keeps food at a constant temperature of 70°C until the time is right to serve the meal. The food retains its original flavour and temperature until it is served.

## SoftMelt

The SoftMelt function gently melts chocolate or butter at a constant temperature of 42°C, thereby creating perfect conditions for melting, without burning.

## Hob edges



SC - Bevelled hob edge



CSC - Chamfered front hob edge



USC - Chamfered front and both sides

## Gas hobs

Innovatively designed Gorenje gas hob burners optimize the flame to allow faster cooking and ultimate efficiency of the use of gas. Air and gas mixture is closer to optimum than in conventional burners used to date, and the use of gas and control of flame are considerably improved.



### High Efficiency Burners

More heat for gas

Significantly improved gas burners provide up to 10% more efficient gas consumption.



### WokBurner

Genuine Asian taste, at home

The wok burners reach a high heat very quickly, making Asian style cuisine and meals in big pots easy.



### Coffee Reductor

Made for perfect morning rituals

New design features of Gorenje gas hobs include a highly practical coffee reductor, ideal for small diameter pots.

*\*Could be purchased separately.*



**IT 984 USC**  
Induction hob

Superior Line

**IS 777 USC**  
Induction hob

Superior Line

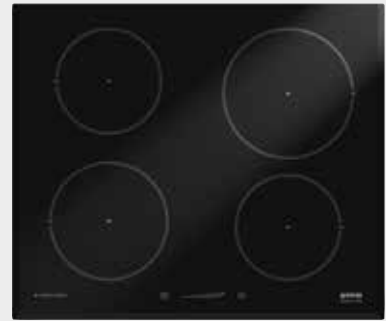
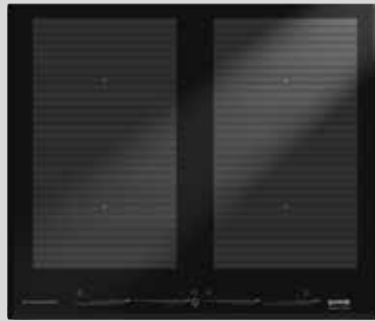


- Colour: Black

- Colour: Black

<b>Control</b>	<ul style="list-style-type: none"> <li>- SmartControl</li> <li>- Timer function</li> </ul>	<ul style="list-style-type: none"> <li>- SmartControl</li> <li>- Timer function</li> </ul>
<b>Features</b>	<ul style="list-style-type: none"> <li>- BoilControl. prevents pots from boiling over</li> <li>- StopGo function</li> <li>- StayWarm function</li> <li>- SoftMelt function</li> <li>- PowerBoost Supreme</li> <li>- Silent operation SuperSilent</li> </ul>	<ul style="list-style-type: none"> <li>- BoilControl. prevents pots from boiling over</li> <li>- MultiSlider</li> <li>- StayWarm function</li> <li>- PowerBoost Supreme</li> <li>- XpandZone</li> <li>- Silent operation SuperSilent</li> </ul>
<b>Cooking surface</b>	<ul style="list-style-type: none"> <li>- 5 induction heating zones</li> <li>- Left front: Ø 18 cm, 1.85/3 kW</li> <li>- Middle front: Ø 18 cm, 1.85/3 kW</li> <li>- Left behind: Ø 18 cm, 1.85/3 kW</li> <li>- Middle behind: Ø 18 cm, 1.85/3 kW</li> <li>- Right: Ø 26 cm, 2.6/3.7 kW</li> </ul>	<ul style="list-style-type: none"> <li>- 4 induction heating zones</li> <li>- Left front: Ø 19×22 cm, 2.3/3.7 kW</li> <li>- Right front: Ø 19×22 cm, 2.3/3.7 kW</li> <li>- Left behind: Ø 19×22 cm, 2.3/3.7 kW</li> <li>- Right behind: Ø 19×22 cm, 2.3/3.7 kW</li> </ul>
<b>Safety and durability</b>	<ul style="list-style-type: none"> <li>- Residual heat indicator</li> <li>- Safety control hob lock</li> <li>- ChildLock</li> </ul>	<ul style="list-style-type: none"> <li>- Residual heat indicator</li> <li>- ChildLock</li> </ul>
<b>Technical data</b>	<ul style="list-style-type: none"> <li>- Connection rating: 11100 W</li> <li>- Product dimensions (HxWxD): 5 × 90 × 51 cm</li> <li>- Niche dimensions (HxWxD): 6.6 × 86 × 49 cm</li> <li>- EAN code: 3838942862212</li> <li>- Product code: 464862</li> </ul>	<ul style="list-style-type: none"> <li>- Connection rating: 7400 W</li> <li>- Product dimensions (HxWxD): 5 × 75 × 51 cm</li> <li>- Niche dimensions (HxWxD): 6.6 × 56 × 49 cm</li> <li>- EAN code: 3838942928307</li> <li>- Product code: 464639</li> </ul>



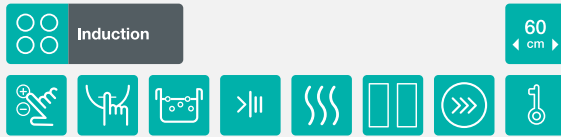


**IS 677 USC**  
Induction hob

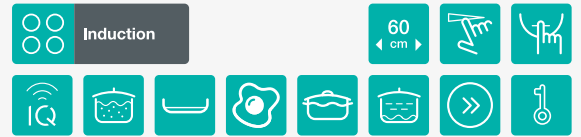
Superior Line

**IQ 634 USC**  
Induction hob

Advanced Line

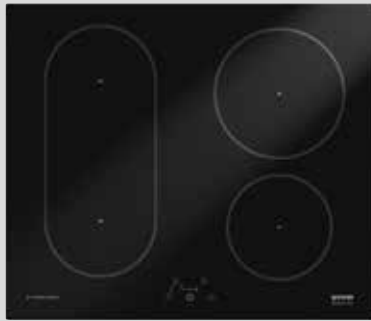


- Colour: Black



- Colour: Black

<b>Control</b>	<ul style="list-style-type: none"> <li>- SmartControl</li> <li>- Timer function</li> </ul>	<ul style="list-style-type: none"> <li>- SliderTouch. control at your fingertips</li> <li>- Timer function</li> </ul>
<b>Features</b>	<ul style="list-style-type: none"> <li>- BoilControl. prevents pots from boiling over</li> <li>- MultiSlider</li> <li>- StayWarm function</li> <li>- PowerBoost Supreme</li> <li>- XpandZone</li> <li>- Silent operation SuperSilent</li> </ul>	<ul style="list-style-type: none"> <li>- 2 x IQcook sensors</li> <li>- PowerBoost function</li> <li>- AllBoost</li> <li>- Silent operation SuperSilent</li> <li>- IQboil. cooking with a large amount of water</li> <li>- IQgrill. grilling mode</li> <li>- IQpoach</li> <li>- IQpro. slow cooking</li> <li>- IQsteam. steam cooking</li> </ul>
<b>Cooking surface</b>	<ul style="list-style-type: none"> <li>- 4 induction heating zones</li> <li>- Left front: Ø 19×22 cm, 2.3/3.7 kW</li> <li>- Right front: Ø 19×22 cm, 2.3/3.7 kW</li> <li>- Left behind: Ø 19×22 cm, 2.3/3.7 kW</li> <li>- Right behind: Ø 19×22 cm, 2.3/3.7 kW</li> </ul>	<ul style="list-style-type: none"> <li>- 4 induction heating zones</li> <li>- Left front: Ø 18.5 cm, 1.4/2 kW</li> <li>- Right front: Ø 16.5 cm, 1.2/1.4 kW</li> <li>- Left behind: Ø 16.5 cm, 1.2/1.4 kW</li> <li>- Right behind: Ø 20.5 cm, 2/2.3 kW</li> </ul>
<b>Safety and durability</b>	<ul style="list-style-type: none"> <li>- Residual heat indicator</li> <li>- ChildLock</li> </ul>	<ul style="list-style-type: none"> <li>- Residual heat indicator</li> <li>- ChildLock</li> </ul>
<b>Technical data</b>	<ul style="list-style-type: none"> <li>- Connection rating: 7400 W</li> <li>- Product dimensions (HxWxD): 5 × 60 × 51 cm</li> <li>- Niche dimensions (HxWxD): 6.6 × 56 × 49 cm</li> <li>- EAN code: 3838942862113</li> <li>- Product code: 464863</li> </ul>	<ul style="list-style-type: none"> <li>- Connection rating: 7100 W</li> <li>- Product dimensions (HxWxD): 6.1 × 60 × 51 cm</li> <li>- Niche dimensions (HxWxD): 7.7 × 56 × 49 cm</li> <li>- EAN code: 3838942652783</li> <li>- Product code: 464533</li> </ul>



### IT 635 SC Induction hob

Advanced Line

### IT 332 CSC Induction hob

Advanced Line



- Colour: Black



- Colour: Black

<b>Control</b>	<ul style="list-style-type: none"> <li>- Touch control</li> <li>- Timer function</li> </ul>	<ul style="list-style-type: none"> <li>- Touch control</li> <li>- Timer function</li> </ul>
<b>Features</b>	<ul style="list-style-type: none"> <li>- PowerBoost function</li> <li>- AllBoost</li> <li>- BridgeZone</li> <li>- Silent operation SuperSilent</li> </ul>	<ul style="list-style-type: none"> <li>- PowerBoost function</li> <li>- Silent operation SuperSilent</li> </ul>
<b>Cooking surface</b>	<ul style="list-style-type: none"> <li>- 4 induction heating zones</li> <li>- Left front: Ø 18.5 cm, 1.4/2 kW</li> <li>- Right front: Ø 16.5 cm, 1.2/1.4 kW</li> <li>- Left behind: Ø 18.5 cm, 1.2/1.4 kW</li> <li>- Right behind: Ø 20.5 cm, 2/2.3 kW</li> </ul>	<ul style="list-style-type: none"> <li>- 2 induction heating zones</li> <li>- Front: Ø 16 cm, 1.4 kW</li> <li>- Behind: Ø 20 cm, 2.3/3 kW</li> </ul>
<b>Safety and durability</b>	<ul style="list-style-type: none"> <li>- Residual heat indicator</li> <li>- ChildLock</li> </ul>	<ul style="list-style-type: none"> <li>- Residual heat indicator</li> <li>- Safety control hob lock</li> <li>- ChildLock</li> </ul>
<b>Technical data</b>	<ul style="list-style-type: none"> <li>- Connection rating: 7100 W</li> <li>- Product dimensions (HxWxD): 6.1 × 59.5 × 51 cm</li> <li>- Niche dimensions (HxWxD): 7.7 × 56 × 49 cm</li> <li>- EAN code: 3838942719530</li> <li>- Product code: 463047</li> </ul>	<ul style="list-style-type: none"> <li>- Connection rating: 3650 W</li> <li>- Product dimensions (HxWxD): 6.1 × 30 × 51 cm</li> <li>- Niche dimensions (HxWxD): 8.5 × 27.5 × 49 cm</li> <li>- EAN code: 3838942114137</li> <li>- Product code: 545543</li> </ul>



**IT 734 CSC**  
Induction hob

Essential Line

**IT 614 CSC**  
Induction hob

Essential Line

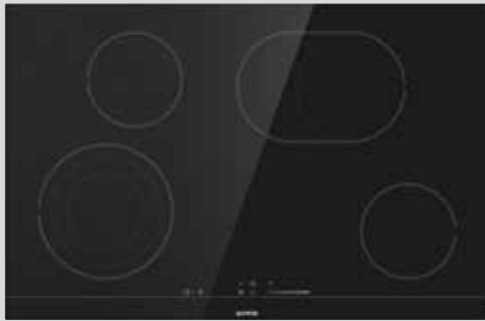


- Colour: Black



- Colour: Black

<b>Control</b>	- Touch control - Timer function	- Touch control - Timer function
<b>Features</b>	- PowerBoost function - AllBoost - Silent operation SuperSilent	- PowerBoost function - AllBoost - Silent operation SuperSilent
<b>Cooking surface</b>	- 4 induction heating zones - Left front: Ø 18.5 cm, 1.4/2 kW - Right front: Ø 16.5 cm, 1.2/1.4 kW - Left behind: Ø 16.5 cm, 1.2/1.4 kW - Right behind: Ø 20.5 cm, 2/2.3 kW	- 4 induction heating zones - Left front: Ø 18.5 cm, 1.4/1.9 kW - Right front: Ø 16.5 cm, 1.2/1.4 kW - Left behind: Ø 16.5 cm, 1.2/1.4 kW - Right behind: Ø 20.5 cm, 1.9/2.1 kW
<b>Safety and durability</b>	- Residual heat indicator - ChildLock	- Residual heat indicator - ChildLock
<b>Technical data</b>	- Connection rating: 7100 W - Product dimensions (HxWxD): 6.1 × 75 × 51 cm - Niche dimensions (HxWxD): 7.7 × 71 × 49 cm - EAN code: 3838942654282 - Product code: 464632	- Connection rating: 6800 W - Product dimensions (HxWxD): 5.5 × 59.5 × 51 cm - Niche dimensions (HxWxD): 7.1 × 56 × 48 cm - EAN code: 3838942719332 - Product code: 463046



**ECS 846 BCSC**  
Ceramic hob

Advanced Line

**ECS 646 BCSC**  
Ceramic hob

Advanced Line



- Colour: Black



- Colour: Black

<b>Control</b>	<ul style="list-style-type: none"> <li>- SliderTouch, control at your fingertips</li> <li>- Timer function</li> </ul>	<ul style="list-style-type: none"> <li>- SliderTouch, control at your fingertips</li> <li>- Timer function</li> </ul>
<b>Features</b>	<ul style="list-style-type: none"> <li>- BoilControl, prevents pots from boiling over</li> <li>- StopGo function</li> <li>- StayWarm function</li> <li>- FishZone</li> </ul>	<ul style="list-style-type: none"> <li>- BoilControl, prevents pots from boiling over</li> <li>- StopGo function</li> <li>- StayWarm function</li> <li>- FishZone</li> </ul>
<b>Cooking surface</b>	<ul style="list-style-type: none"> <li>- 2 Ceramic heating zones + 1 triple Ceramic heating zone + 1 oval Ceramic heating zone</li> <li>- Left front: Triple heating zone 12/17.5/21 cm, 2.3 kW</li> <li>- Right front: Ø 14.5 cm, 1.2 kW</li> <li>- Left behind: Ø 14.5 cm, 1.2 kW</li> <li>- Right behind: Ø 17×26.5 cm, 1.5/2.4 kW</li> </ul>	<ul style="list-style-type: none"> <li>- 2 Ceramic heating zones + 1 triple Ceramic heating zone + 1 oval Ceramic heating zone</li> <li>- Left front: Triple heating zone 12/17.5/21 cm, 2.3 kW,</li> <li>- Right front: Ø 14.5 cm, 1.2 kW,</li> <li>- Left behind: Ø 14.5 cm, 1.2 kW,</li> <li>- Right behind: Ø 17×26.5 cm, 1.5/2.4 kW</li> </ul>
<b>Safety and durability</b>	<ul style="list-style-type: none"> <li>- Residual heat indicator</li> <li>- Safety control hob lock</li> <li>- ChildLock</li> </ul>	<ul style="list-style-type: none"> <li>- Residual heat indicator</li> <li>- Safety control hob lock</li> <li>- ChildLock</li> </ul>
<b>Technical data</b>	<ul style="list-style-type: none"> <li>- Connection rating: 7100 W</li> <li>- Product dimensions (HxWxD): 5.4 × 80 × 52 cm</li> <li>- Niche dimensions (HxWxD): 6.7 × 75 × 49 cm</li> <li>- EAN code: 3838782120701</li> <li>- Product code: 730727</li> </ul>	<ul style="list-style-type: none"> <li>- Connection rating: 7100 W</li> <li>- Product dimensions (HxWxD): 5.4 × 60 × 52 cm</li> <li>- Niche dimensions (HxWxD): 7 × 56 × 49 cm</li> <li>- EAN code: 3838782120725</li> <li>- Product code: 730729</li> </ul>



**ECT 648 BCSC**  
Ceramic hob

Essential Line

**ECT 641 BSC**  
Ceramic hob

Essential Line



- Colour: Black

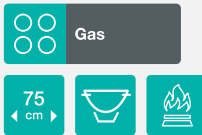


- Colour: Black

<b>Control</b>	<ul style="list-style-type: none"> <li>- Touch control</li> <li>- Timer function</li> </ul>	<ul style="list-style-type: none"> <li>- Touch control</li> <li>- Timer function</li> </ul>
<b>Features</b>	<ul style="list-style-type: none"> <li>- PowerZone</li> <li>- BoilControl, prevents pots from boiling over</li> <li>- StopGo function</li> <li>- StayWarm function</li> <li>- FishZone</li> </ul>	<ul style="list-style-type: none"> <li>- BoilControl, prevents pots from boiling over</li> <li>- StopGo function</li> <li>- StayWarm function</li> </ul>
<b>Cooking surface</b>	<ul style="list-style-type: none"> <li>- 4 Ceramic heating zones</li> <li>- Left front: Ø 21 cm, 2.1/3 kW,</li> <li>- Right front: Ø 14.5 cm, 1.2 kW,</li> <li>- Left behind: Ø 14.5 cm, 1,2 kW,</li> <li>- Right behind: Ø 17×26.5 cm, 1.5/2.4 kW</li> </ul>	<ul style="list-style-type: none"> <li>- 4 Ceramic heating zones</li> <li>- Left front: Ø 21 cm, 2.3 kW,</li> <li>- Right front: Ø 14.5 cm, 1.2 kW,</li> <li>- Left behind: Ø 14.5 cm, 1.2 kW,</li> <li>- Right behind: Ø 18 cm, 1.8 kW</li> </ul>
<b>Safety and durability</b>	<ul style="list-style-type: none"> <li>- Residual heat indicator</li> <li>- Safety control hob lock</li> <li>- ChildLock</li> </ul>	<ul style="list-style-type: none"> <li>- Residual heat indicator</li> <li>- Safety control hob lock</li> <li>- ChildLock</li> </ul>
<b>Technical data</b>	<ul style="list-style-type: none"> <li>- Connection rating: 6900 W</li> <li>- Product dimensions (HxWxD): 5.4 × 60 × 52 cm</li> <li>- Niche dimensions (HxWxD): 7 × 56 × 49 cm</li> <li>- EAN code: 3838782120732</li> <li>- Product code: 730730</li> </ul>	<ul style="list-style-type: none"> <li>- Connection rating: 6500 W</li> <li>- Product dimensions (HxWxD): 5.4 × 60 × 52 cm</li> <li>- Niche dimensions (HxWxD): 7 × 56 × 49 cm</li> <li>- EAN code: 3838782108259</li> <li>- Product code: 730602</li> </ul>



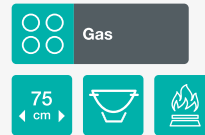
**GTW 761 UB**  
Gas on tempered glass



- Colour: Black



**GW 761 UX**  
Gas hob



- Colour: Stainless steel

<b>Control</b>	- Knob shape: Ergonomic knobs	- Knob shape: Ergonomic knobs
<b>Features</b>	- Triple burner - High efficiency burners	- Triple burner - High efficiency burners
<b>Cooking surface</b>	- Single-handed ignition device - 1 auxiliary burner + 1 large burner + 2 normal burners + 1 wok burner - Left front: Ø 13.44 cm, 3.8 kW - Middle front: Ø 4.3 cm, 1 kW - Right front: Ø 6.7 cm, 1.75 kW - Middle behind: Ø 6.7 cm, 1.75 kW - Right behind: Ø 9.7 cm, 3 kW - Type of pan support: Cast iron grid	- Single-handed ignition device - 1 auxiliary burner + 1 large burner + 2 normal burners + 1 wok burner - Left front: Ø 13.44 cm, 3.8 kW - Middle front: Ø 4.3 cm, 1 kW - Right front: Ø 6.7 cm, 1.75 kW - Middle behind: Ø 6.7 cm, 1.75 kW - Right behind: Ø 9.7 cm, 3 kW - Type of pan support: Cast iron grid
<b>Safety and durability</b>	- Safety function - Gas control	- Safety function - Gas control
<b>Technical data</b>	- Product dimensions (HxWxD): 11.2 × 75 × 51 cm - Niche dimensions (HxWxD): 7.3 × 72 × 48 cm - EAN code: 3838942928741 - Product code: 426158	- Product dimensions (HxWxD): 10.3 × 75 × 51 cm - Niche dimensions (HxWxD): 7.9 × 72 × 48 cm - EAN code: 3838942213168 - Product code: 453969

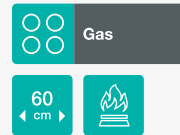
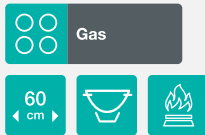


**GW 641 XUK**  
Gas hob

Essential Line

**G 641 XUK**  
Gas hob

Essential Line



- Colour: Stainless steel

- Colour: Stainless steel

<b>Control</b>	- Knob shape: Ergonomic knobs	- Knob shape: Ergonomic knobs
<b>Features</b>	- Wok double burner - High efficiency burners	- High efficiency burners
<b>Cooking surface</b>	- One-hand ignition device for hob - 1 auxiliary burner + 1 double burner + 2 normal burners - Left front: Ø 12.3 cm, 4.05 kW, - Right front: Ø 5.37 cm, 1 kW, - Left behind: Ø 7.35 cm, 1.8 kW, - Right behind: Ø 7.35 cm, 1.8 kW - Type of pan support: Cast iron grid - Pan support cross	- One-hand ignition device for hob - 1 auxiliary burner + 1 large burner + 2 standard burners - Left front: Ø 9.85 cm, 3 kW, - Right front: Ø 5.37 cm, 1 kW, - Left behind: Ø 7.35 cm, 1.8 kW, - Right behind: Ø 7.35 cm, 1.8 kW - Type of pan support: Cast iron grid - Pan support cross
<b>Safety and durability</b>	- Gas control	- Gas control
<b>Technical data</b>	- Product dimensions (HxWxD): 13 × 60 × 52 cm - Niche dimensions (HxWxD): 7.6 × 56 × 49 cm - EAN code: 3838782081507 - Product code: 729811	- Product dimensions (HxWxD): 13 × 60 × 52 cm - Niche dimensions (HxWxD): 7.6 × 56 × 49 cm - EAN code: 3838782081491 - Product code: 729810







# A HELPING HAND FROM ABOVE

## Gorenje Hoods

Gorenje hoods bring two in one as they are technologically advanced tools in the form of superbly designed objects. They are a perfect companion to a modern lifestyle – they contribute to a healthier living environment, efficiently remove bad smells and work silently and reliably. Gorenje hoods are made of top quality materials and offer the best user experience whilst cooking, cleaning or simply just watching them.



## AdaptAir

No smell. Just air.

Patented AdaptAir technology ensures completely even air suction over the entire hood surface. Steam, smells and impurities no longer enter the kitchen air.



## Polyurethane filter

Benefits of polyurethane foam

Unique AdaptAir and aluminium grease filters are enhanced with a special polyurethane foam that eliminates up to 98% of all grease particles and other impurities. At the same time, the hood maintains its absorption efficiency.



## LED light

See what you're cooking

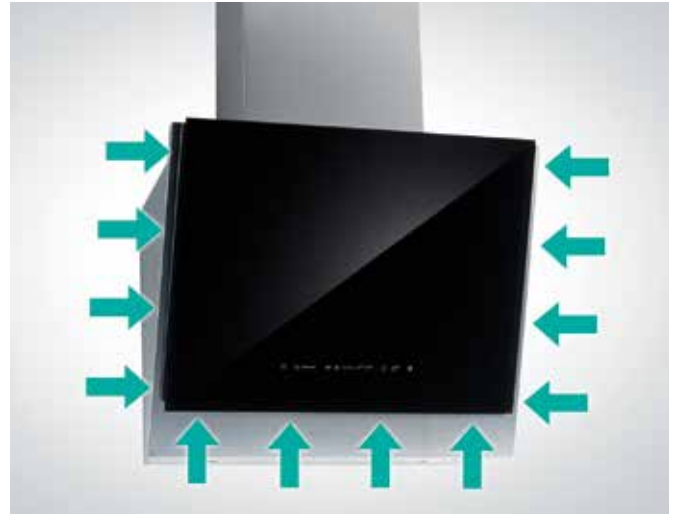
LED lighting provides excellent and highly efficient illumination of the cooking hob and represents an important aesthetic and functional element in the kitchen. Its useful life is thirty times as long as that of conventional light bulbs, and it saves up to ten times as much power.



### AdaptTech

Automatic fan operation

A special sensor, when in automatic operating mode, senses the level of impurities or steam, humidity and gases and responds suitably. It automatically adjusts the fan speed accordingly or, when it is no longer needed, even completely stops the fan.



### P.A.S. System

Smart, targeted extraction with less noise

Innovative perimetric aspiration system (P.A.S.) directs its extraction power to the edges. This approach reduces energy consumption and noise at the same time. As a result air extraction is considerably more silent and efficient.



### TouchFree coating

Shiney and fingerprint-free finish

All stainless steel surfaces are coated with a special TouchFree film that prevents fingerprint markings, leaving the surface always shiny and making cleaning much easier.



### Timer and refresh

Always fresh and punctual

Special advantages of new Gorenje hoods include setting the timing for automatic switching off and the refresh function which is activated every hour, refreshing the air for 10 minutes.



**A+** Energy Class A+  
Top energy efficiency

Combination of smart technical solutions, polyurethane filters, very efficient motors and LED lightning delivers excellent suction and up to A+.



**Easy to clean**  
Low maintenance

Cleaning is an important factor in prolonging the useful life of your kitchen hood and its filters. Latest models feature a sensor that is able to perceive when the filter is saturated with grease particles to the extent when optimum hood performance is impaired. A light symbol on the control panel will alarm you that it is time to clean or replace the filter (for hoods with charcoal filters).



**Inverter PowerDrive**  
Remarkable power, high efficiency

The powerful motor is brushless, which eliminates mechanical tension, friction, or wear. The results are better, power savings are higher, and the function is notably quieter.



### Touch on inox

Everything is under your control

Gorenje's cutting edge sensor technology makes it possible to operate your inox hood with you fingertips. Since everything is hidden behind the inox, the whole surface remains perfectly smooth and very easy to clean.



### Slider touch

Easy control

A special innovative slider enables easy and instant changes between different power levels and lighting intensities.



### Matching design

Perfectly blending in

New generation of Gorenje kitchen hoods is a unique combination of optimum functionality and perfection in design. In addition to state-of-the-art technology, they boast a uniform appearance with other built-in kitchen appliances allowing them to blend in harmoniously with any interior while affording a number of different layouts.

## Advantages of new hoods with smart glass design

New Gorenje hoods with smart glass design bring great visual appeal to your kitchen, along with many advantages. High quality glass is easy to clean and at the same time offers an additional space for spices or small objects on the sides.



IHGC 963 A1XUK



### SmartCurve Better capturing steam and grease

New models of Gorenje hoods feature new innovative shape with specially curved glass which captures more steam, grease and odours as standard design hoods.



### Controls

Cleverly placed above the glass surface, the controls of the hood are protected from grease and stay clean and perfectly operating for a long time. They are easy to reach and use (no bending below the hood cap), simple to clean and stay cold during the cooking.



### LED-lights

Smart design and placement behind the glass surface, the LED-lights stay protected from grease and therefore require no cleaning. Simply wiping the glass below them will do the trick.



### Polyurethane grease filter

These models of hoods use one big polyurethane filter which is easy to install and replace with just a simple click.



## IHGC 963 A1XUK Island cooker hood

Advanced Line



- Venting with air extraction or recirculation
- Material of housing/chimney: Stainless steel and glass / Stainless steel
- Colour of housing/chimney: Glass and stainless steel / Stainless steel

<b>Efficiency</b>	<ul style="list-style-type: none"> <li>- Maximum extraction rate by extraction operation: 441 m<sup>3</sup>/h</li> <li>- Venting tube diameter: 15 cm</li> </ul>
<b>The capacity of ventilator</b>	<ul style="list-style-type: none"> <li>- Air flow by extraction version, step 1: 261 m<sup>3</sup>/h</li> <li>- Air flow by extraction version, step 2: 332 m<sup>3</sup>/h</li> <li>- Air flow by extraction version, step 3: 441 m<sup>3</sup>/h</li> <li>- Airflow boost position (PowerBoost 1) - extraction: 650 m<sup>3</sup>/h</li> <li>- Number of PowerBoost functions: 1</li> </ul>
<b>Control</b>	<ul style="list-style-type: none"> <li>- AdaptTech: Automatic fan operation</li> <li>- Electronic control</li> <li>- Control setting: Touch control on metal</li> <li>- Timer function</li> <li>- Number of speed positions: 3</li> </ul>
<b>Features</b>	<ul style="list-style-type: none"> <li>- TouchFree Inox</li> <li>- Constant ventilation ReFresh</li> <li>- SmartCurve</li> <li>- Lamp type: LED</li> <li>- On/off light switch</li> <li>- Number of lights: 4</li> <li>- Power of lights: 12 W</li> </ul>
<b>Equipment</b>	<ul style="list-style-type: none"> <li>- Filter material: Washable aluminium with polyurethane foam</li> <li>- Grease filter indicator</li> <li>- Number of motors: 1</li> <li>- Motor type: Capacitor motor</li> <li>- No return airflow flap: 150 mm</li> </ul>
<b>Technical data</b>	<ul style="list-style-type: none"> <li>- Max. noise level: 60 dB(A)re 1 pW</li> <li>- Product dimensions (WxD): 90 × 60 cm</li> <li>- Height: 560 mm</li> <li>- Min. height of the chimney: 285 mm</li> <li>- Max. height of the chimney: 510 mm</li> <li>- Annual energy consumption: 66.1 kWh</li> <li>- EAN code: 3838782014253</li> <li>- Code: 578592</li> </ul>



### WHI 951 S1XGBUK Wall mounted cooker hood

Superior Line

### WHI 651 S1XGBUK Wall mounted cooker hood

Superior Line



Energy Class

89,8  
cm



- Venting with air extraction or recirculation
- Material of housing/chimney: Stainless steel and glass / Stainless steel
- Colour of housing/chimney: Stainless steel and black glass / Stainless steel



Energy Class

59,5  
cm



- Venting with air extraction or recirculation
- Material of housing/chimney: Stainless steel and glass / Stainless steel
- Colour of housing/chimney: Stainless steel and black glass / Stainless steel

<b>Efficiency</b>	<ul style="list-style-type: none"> <li>- Maximum extraction rate by extraction operation: 480 m<sup>3</sup>/h</li> <li>- Maximum extraction rate by recirculation operation: 370 m<sup>3</sup>/h</li> <li>- Venting tube diameter: 15 cm</li> </ul>	<ul style="list-style-type: none"> <li>- Maximum extraction rate by extraction operation: 480 m<sup>3</sup>/h</li> <li>- Maximum extraction rate by recirculation operation: 370 m<sup>3</sup>/h</li> <li>- Venting tube diameter: 15 cm</li> </ul>
<b>The capacity of ventilator</b>	<ul style="list-style-type: none"> <li>- Air flow by extraction version, step 1: 273 m<sup>3</sup>/h</li> <li>- Air flow by extraction version, step 2: 300 m<sup>3</sup>/h</li> <li>- Air flow by extraction version, step 3: 342 m<sup>3</sup>/h</li> <li>- Air flow by extraction version, step 4: 373 m<sup>3</sup>/h</li> <li>- Airflow boost position (PowerBoost 1) – recirculation: 474 m<sup>3</sup>/h</li> <li>- Airflow boost position (PowerBoost 2) - recirculation: 476 m<sup>3</sup>/h</li> <li>- Airflow boost position (PowerBoost 1) - extraction: 662 m<sup>3</sup>/h</li> <li>- Airflow boost position (PowerBoost 2) - extraction: 737 m<sup>3</sup>/h</li> <li>- Number of PowerBoost functions: 2</li> </ul>	<ul style="list-style-type: none"> <li>- Air flow by extraction version, step 1: 273 m<sup>3</sup>/h</li> <li>- Air flow by extraction version, step 2: 300 m<sup>3</sup>/h</li> <li>- Air flow by extraction version, step 3: 342 m<sup>3</sup>/h</li> <li>- Air flow by extraction version, step 4: 373 m<sup>3</sup>/h</li> <li>- Airflow boost position (PowerBoost 1) – recirculation: 474 m<sup>3</sup>/h</li> <li>- Airflow boost position (PowerBoost 2) - recirculation: 476 m<sup>3</sup>/h</li> <li>- Airflow boost position (PowerBoost 1) - extraction: 662 m<sup>3</sup>/h</li> <li>- Airflow boost position (PowerBoost 2) - extraction: 737 m<sup>3</sup>/h</li> <li>- Number of PowerBoost functions: 2</li> </ul>
<b>Control</b>	<ul style="list-style-type: none"> <li>- AdaptTech: Automatic fan operation</li> <li>- Electronic control</li> <li>- Control setting: SliderTouch control</li> <li>- Timer function</li> <li>- Number of speed positions: 9</li> </ul>	<ul style="list-style-type: none"> <li>- AdaptTech: Automatic fan operation</li> <li>- Electronic control</li> <li>- Control setting: SliderTouch control</li> <li>- Timer function</li> <li>- Number of speed positions: 9</li> </ul>
<b>Features</b>	<ul style="list-style-type: none"> <li>- TouchFree Inox // Constant ventilation ReFresh</li> <li>- Lamp type: Led strip // Dimmer function</li> <li>- Number of lights: 1 // Power of lights: 7 W</li> <li>- Perimetric suction</li> </ul>	<ul style="list-style-type: none"> <li>- TouchFree Inox // Constant ventilation ReFresh</li> <li>- Lamp type: Led strip // Dimmer function</li> <li>- Number of lights: 1 // Power of lights: 7 W</li> <li>- Perimetric suction</li> </ul>
<b>Equipment</b>	<ul style="list-style-type: none"> <li>- Filter material: Washable aluminium with polyurethane foam</li> <li>- Grease filter indicator</li> <li>- Number of motors: 1</li> <li>- Motor type: Inverter motor</li> <li>- No return airflow flap: 150 mm</li> </ul>	<ul style="list-style-type: none"> <li>- Filter material: Washable aluminium with polyurethane foam</li> <li>- Grease filter indicator</li> <li>- Number of motors: 1</li> <li>- Motor type: Inverter motor</li> <li>- No return airflow flap: 150 mm</li> </ul>
<b>Technical data</b>	<ul style="list-style-type: none"> <li>- Max. noise level: 60 dB(A)re 1 pW</li> <li>- Product dimensions (WxD): 89.8 × 37.3 cm</li> <li>- Height: 450 mm</li> <li>- Min. height of the chimney: 575 mm</li> <li>- Max. height of the chimney: 1105 mm</li> <li>- Annual energy consumption: 47.1 kWh</li> <li>- EAN code: 3838942041457</li> <li>- Code: 494729</li> </ul>	<ul style="list-style-type: none"> <li>- Max. noise level: 60 dB(A)re 1 pW</li> <li>- Product dimensions (WxD): 59.5 × 37.3 cm</li> <li>- Height: 450 mm</li> <li>- Min. height of the chimney: 574 mm</li> <li>- Max. height of the chimney: 1104 mm</li> <li>- Annual energy consumption: 47.1 kWh</li> <li>- EAN code: 3838942041433</li> <li>- Code: 494728</li> </ul>





### WHI 921 E3BUK Wall mounted cooker hood

Essential Line

### WHI 621 E3BUK Wall mounted cooker hood

Essential Line



89.8  
cm



- Venting with air extraction or recirculation
- Material of housing/chimney: Varnished steel and glass / Varnished steel
- Colour of housing/chimney: Black painted and black glass / Black



59.5  
cm



- Venting with air extraction or recirculation
- Material of housing/chimney: Varnished steel and glass / Varnished steel
- Colour of housing/chimney: Black painted and black glass / Black

<b>Efficiency</b>	<ul style="list-style-type: none"> <li>- Maximum extraction rate by extraction operation: 570 m<sup>3</sup>/h</li> <li>- Maximum extraction rate by recirculation operation: 372 m<sup>3</sup>/h</li> <li>- Venting tube diameter: 15 cm</li> </ul>	<ul style="list-style-type: none"> <li>- Maximum extraction rate by extraction operation: 570 m<sup>3</sup>/h</li> <li>- Maximum extraction rate by recirculation operation: 372 m<sup>3</sup>/h</li> <li>- Venting tube diameter: 15 cm</li> </ul>
<b>The capacity of ventilator</b>	<ul style="list-style-type: none"> <li>- Air flow by extraction version, step 1: 234 m<sup>3</sup>/h</li> <li>- Air flow by extraction version, step 2: 356 m<sup>3</sup>/h</li> <li>- Air flow by extraction version, step 3: 570 m<sup>3</sup>/h</li> </ul>	<ul style="list-style-type: none"> <li>- Air flow by extraction version, step 1: 234 m<sup>3</sup>/h</li> <li>- Air flow by extraction version, step 2: 356 m<sup>3</sup>/h</li> <li>- Air flow by extraction version, step 3: 570 m<sup>3</sup>/h</li> </ul>
<b>Control</b>	<ul style="list-style-type: none"> <li>- Mechanic control</li> <li>- Control setting: Button control</li> <li>- Number of speed positions: 3</li> </ul>	<ul style="list-style-type: none"> <li>- Mechanic control</li> <li>- Control setting: Button control</li> <li>- Number of speed positions: 3</li> </ul>
<b>Features</b>	<ul style="list-style-type: none"> <li>- Lamp type: Halogen // On/off light switch</li> <li>- Number of lights: 2</li> <li>- Power of lights: 40 W</li> <li>- Perimetric suction</li> </ul>	<ul style="list-style-type: none"> <li>- Lamp type: Halogen // On/off light switch</li> <li>- Number of lights: 2</li> <li>- Power of lights: 40 W</li> <li>- Perimetric suction</li> </ul>
<b>Equipment</b>	<ul style="list-style-type: none"> <li>- Filter material: Washable aluminium with polyurethane foam</li> <li>- Number of motors: 1</li> <li>- Motor type: Capacitor motor</li> <li>- No return airflow flap: 150 mm</li> </ul>	<ul style="list-style-type: none"> <li>- Filter material: Washable aluminium with polyurethane foam</li> <li>- Number of motors: 1</li> <li>- Motor type: Capacitor motor</li> <li>- No return airflow flap: 150 mm</li> </ul>
<b>Technical data</b>	<ul style="list-style-type: none"> <li>- Max. noise level: 62 dB(A)re 1 pW</li> <li>- Product dimensions (WxD): 89.8 × 37.3 cm</li> <li>- Height: 450 mm</li> <li>- Min. height of the chimney: 575 mm</li> <li>- Max. height of the chimney: 1105 mm</li> <li>- Annual energy consumption: 100.1 kWh</li> <li>- EAN code: 3838942041303</li> <li>- Code: 494725</li> </ul>	<ul style="list-style-type: none"> <li>- Max. noise level: 62 dB(A)re 1 pW</li> <li>- Product dimensions (WxD): 59.5 × 37.3 cm</li> <li>- Height: 450 mm</li> <li>- Min. height of the chimney: 574 mm</li> <li>- Max. height of the chimney: 1104 mm</li> <li>- Annual energy consumption: 100.1 kWh</li> <li>- EAN code: 3838942041297</li> <li>- Code: 494724</li> </ul>



### WHI 921 E1XGBUK Wall mounted cooker hood

Essential Line

### WHI 621 E1XGBUK Wall mounted cooker hood

Essential Line



- Venting with air extraction or recirculation
- Material of housing/chimney: Stainless steel and glass / Stainless steel
- Colour of housing/chimney: Stainless steel and black glass / Stainless steel

- Venting with air extraction or recirculation
- Material of housing/chimney: Stainless steel and glass / Stainless steel
- Colour of housing/chimney: Stainless steel and black glass / Stainless steel

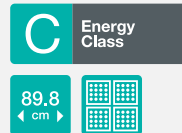
<b>Efficiency</b>	<ul style="list-style-type: none"> <li>- Maximum extraction rate by extraction operation: 570 m<sup>3</sup>/h</li> <li>- Maximum extraction rate by recirculation operation: 372 m<sup>3</sup>/h</li> <li>- Venting tube diameter: 15 cm</li> </ul>	<ul style="list-style-type: none"> <li>- Maximum extraction rate by extraction operation: 570 m<sup>3</sup>/h</li> <li>- Maximum extraction rate by recirculation operation: 372 m<sup>3</sup>/h</li> <li>- Venting tube diameter: 15 cm</li> </ul>
<b>The capacity of ventilator</b>	<ul style="list-style-type: none"> <li>- Air flow by extraction version, step 1: 234 m<sup>3</sup>/h</li> <li>- Air flow by extraction version, step 2: 356 m<sup>3</sup>/h</li> <li>- Air flow by extraction version, step 3: 570 m<sup>3</sup>/h</li> </ul>	<ul style="list-style-type: none"> <li>- Air flow by extraction version, step 1: 234 m<sup>3</sup>/h</li> <li>- Air flow by extraction version, step 2: 356 m<sup>3</sup>/h</li> <li>- Air flow by extraction version, step 3: 570 m<sup>3</sup>/h</li> </ul>
<b>Control</b>	<ul style="list-style-type: none"> <li>- Mechanic control</li> <li>- Control setting: Button control</li> <li>- Number of speed positions: 3</li> </ul>	<ul style="list-style-type: none"> <li>- Mechanic control</li> <li>- Control setting: Button control</li> <li>- Number of speed positions: 3</li> </ul>
<b>Features</b>	<ul style="list-style-type: none"> <li>- TouchFree Inox</li> <li>- Lamp type: Halogen</li> <li>- On/off light switch</li> <li>- Number of lights: 2</li> <li>- Power of lights: 40 W</li> <li>- Perimetric suction</li> </ul>	<ul style="list-style-type: none"> <li>- TouchFree Inox</li> <li>- Lamp type: Halogen</li> <li>- On/off light switch</li> <li>- Number of lights: 2</li> <li>- Power of lights: 40 W</li> <li>- Perimetric suction</li> </ul>
<b>Equipment</b>	<ul style="list-style-type: none"> <li>- Filter material: Washable aluminium with polyurethane foam</li> <li>- Number of motors: 1</li> <li>- Motor type: Capacitor motor</li> <li>- No return airflow flap: 150 mm</li> </ul>	<ul style="list-style-type: none"> <li>- Filter material: Washable aluminium with polyurethane foam</li> <li>- Number of motors: 1</li> <li>- Motor type: Capacitor motor</li> <li>- No return airflow flap: 150 mm</li> </ul>
<b>Technical data</b>	<ul style="list-style-type: none"> <li>- Max. noise level: 62 dB(A)re 1 pW</li> <li>- Product dimensions (WxD): 89.8 × 37.3 cm</li> <li>- Height: 450 mm</li> <li>- Min. height of the chimney: 575 mm</li> <li>- Max. height of the chimney: 1105 mm</li> <li>- Annual energy consumption: 100.1 kWh</li> <li>- EAN code: 3838942041280</li> <li>- Code: 494723</li> </ul>	<ul style="list-style-type: none"> <li>- Max. noise level: 62 dB(A)re 1 pW</li> <li>- Product dimensions (WxD): 59.5 × 37.3 cm</li> <li>- Height: 450 mm</li> <li>- Min. height of the chimney: 574 mm</li> <li>- Max. height of the chimney: 1104 mm</li> <li>- Annual energy consumption: 100.1 kWh</li> <li>- EAN code: 3838942041273</li> <li>- Code: 494722</li> </ul>



### WHT 921 E3XBGUK

Wall mounted cooker hood

Essential Line

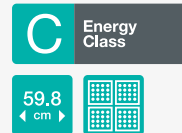


- Venting with air extraction or recirculation
- Material of housing/chimney: Stainless steel and glass / Stainless steel
- Colour of housing/chimney: Black painted and black glass / Stainless steel

### WHT 621 E3XBGUK

Wall mounted cooker hood

Essential Line



- Venting with air extraction or recirculation
- Material of housing/chimney: Stainless steel and glass / Stainless steel
- Colour of housing/chimney: Black painted and black glass / Stainless steel

<b>Efficiency</b>	<ul style="list-style-type: none"> <li>- Maximum extraction rate by extraction operation: 576 m<sup>3</sup>/h</li> <li>- Maximum extraction rate by recirculation operation: 274 m<sup>3</sup>/h</li> <li>- Venting tube diameter: 15 cm</li> </ul>	<ul style="list-style-type: none"> <li>- Maximum extraction rate by extraction operation: 576 m<sup>3</sup>/h</li> <li>- Maximum extraction rate by recirculation operation: 274 m<sup>3</sup>/h</li> <li>- Venting tube diameter: 15 cm</li> </ul>
<b>The capacity of ventilator</b>	<ul style="list-style-type: none"> <li>- Air flow by extraction version, step 1: 244 m<sup>3</sup>/h</li> <li>- Air flow by extraction version, step 2: 368 m<sup>3</sup>/h</li> <li>- Air flow by extraction version, step 3: 576 m<sup>3</sup>/h</li> </ul>	<ul style="list-style-type: none"> <li>- Air flow by extraction version, step 1: 244 m<sup>3</sup>/h</li> <li>- Air flow by extraction version, step 2: 368 m<sup>3</sup>/h</li> <li>- Air flow by extraction version, step 3: 576 m<sup>3</sup>/h</li> </ul>
<b>Control</b>	<ul style="list-style-type: none"> <li>- Mechanic control</li> <li>- Control setting: Button control</li> <li>- Number of speed positions: 3</li> </ul>	<ul style="list-style-type: none"> <li>- Mechanic control</li> <li>- Control setting: Button control</li> <li>- Number of speed positions: 3</li> </ul>
<b>Features</b>	<ul style="list-style-type: none"> <li>- Lamp type: Halogen</li> <li>- On/off light switch</li> <li>- Number of lights: 2</li> <li>- Power of lights: 40 W</li> </ul>	<ul style="list-style-type: none"> <li>- Lamp type: Halogen</li> <li>- On/off light switch</li> <li>- Number of lights: 2</li> <li>- Power of lights: 40 W</li> </ul>
<b>Equipment</b>	<ul style="list-style-type: none"> <li>- Filter material: Washable aluminium with polyurethane foam</li> <li>- Number of motors: 1</li> <li>- Motor type: Capacitor motor</li> <li>- No return airflow flap: 150 mm</li> </ul>	<ul style="list-style-type: none"> <li>- Filter material: Washable aluminium with polyurethane foam</li> <li>- Number of motors: 1</li> <li>- Motor type: Capacitor motor</li> <li>- No return airflow flap: 150 mm</li> </ul>
<b>Technical data</b>	<ul style="list-style-type: none"> <li>- Max. noise level: 66 dB(A)re 1 pW</li> <li>- Product dimensions (WxD): 89.8 × 45 cm</li> <li>- Height: 42 mm</li> <li>- Min. height of the chimney: 577 mm</li> <li>- Max. height of the chimney: 1117 mm</li> <li>- Annual energy consumption: 102.5 kWh</li> <li>- EAN code: 3838942041266</li> <li>- Code: 494721</li> </ul>	<ul style="list-style-type: none"> <li>- Max. noise level: 66 dB(A)re 1 pW</li> <li>- Product dimensions (WxD): 59.8 × 45 cm</li> <li>- Height: 42 mm</li> <li>- Min. height of the chimney: 577 mm</li> <li>- Max. height of the chimney: 1117 mm</li> <li>- Annual energy consumption: 102.5 kWh</li> <li>- EAN code: 3838942041259</li> <li>- Code: 494700</li> </ul>



### WHT 921 E5XUK Wall mounted cooker hood

Essential Line

### WHT 621 E5XUK Wall mounted cooker hood

Essential Line



- Venting with air extraction or recirculation
- Material of housing/chimney: Stainless steel / Stainless steel
- Colour of housing/chimney: Stainless steel / Stainless steel

- Venting with air extraction or recirculation
- Material of housing/chimney: Stainless steel / Stainless steel
- Colour of housing/chimney: Stainless steel / Stainless steel

#### Efficiency

- Maximum extraction rate by extraction operation: 576 m<sup>3</sup>/h
- Maximum extraction rate by recirculation operation: 274 m<sup>3</sup>/h
- Venting tube diameter: 15 cm

- Maximum extraction rate by extraction operation: 576 m<sup>3</sup>/h
- Maximum extraction rate by recirculation operation: 274 m<sup>3</sup>/h
- Venting tube diameter: 15 cm

#### The capacity of ventilator

- Air flow by extraction version, step 1: 244 m<sup>3</sup>/h
- Air flow by extraction version, step 2: 368 m<sup>3</sup>/h
- Air flow by extraction version, step 3: 576 m<sup>3</sup>/h

- Air flow by extraction version, step 1: 244 m<sup>3</sup>/h
- Air flow by extraction version, step 2: 368 m<sup>3</sup>/h
- Air flow by extraction version, step 3: 576 m<sup>3</sup>/h

#### Control

- Mechanic control
- Control setting: Button control
- Number of speed positions: 3

- Mechanic control
- Control setting: Button control
- Number of speed positions: 3

#### Features

- TouchFree Inox
- Lamp type: Halogen
- On/off light switch
- Number of lights: 2
- Power of lights: 40 W

- TouchFree Inox
- Lamp type: Halogen
- On/off light switch
- Number of lights: 2
- Power of lights: 40 W

#### Equipment

- Filter material: Washable aluminium with polyurethane foam
- Number of motors: 1
- Motor type: Capacitor motor
- No return airflow flap: 150 mm

- Filter material: Washable aluminium with polyurethane foam
- Number of motors: 1
- Motor type: Capacitor motor
- No return airflow flap: 150 mm

#### Technical data

- Max. noise level: 66 dB(A)re 1 pW
- Product dimensions (WxD): 89.8 × 45 cm
- Height: 42 mm
- Min. height of the chimney: 577 mm
- Max. height of the chimney: 1117 mm
- Annual energy consumption: 102.5 kWh
- EAN code: 3838942041242
- Code: 494699

- Max. noise level: 66 dB(A)re 1 pW
- Product dimensions (WxD): 59.8 × 45 cm
- Height: 42 mm
- Min. height of the chimney: 577 mm
- Max. height of the chimney: 1117 mm
- Annual energy consumption: 102.5 kWh
- EAN code: 3838942041235
- Code: 494698



### WHGC 933 E16XUK

Wall mounted cooker hood

Essential Line

### WHGC 633 E16XUK

Wall mounted cooker hood

Essential Line



- Venting with air extraction or recirculation
- Material of housing/chimney: Stainless steel and glass / Stainless steel
- Colour of housing/chimney: Glass and stainless steel / Stainless steel

- Venting with air extraction or recirculation
- Material of housing/chimney: Stainless steel and glass / Stainless steel
- Colour of housing/chimney: Glass and stainless steel / Stainless steel

<b>Efficiency</b>	<ul style="list-style-type: none"> <li>- Maximum extraction rate by extraction operation: 462 m<sup>3</sup>/h</li> <li>- Maximum extraction rate by recirculation operation: 392 m<sup>3</sup>/h</li> <li>- Venting tube diameter: 15 cm</li> </ul>	<ul style="list-style-type: none"> <li>- Maximum extraction rate by extraction operation: 462 m<sup>3</sup>/h</li> <li>- Maximum extraction rate by recirculation operation: 392 m<sup>3</sup>/h</li> <li>- Venting tube diameter: 15 cm</li> </ul>
<b>The capacity of ventilator</b>	<ul style="list-style-type: none"> <li>- Air flow by extraction version, step 1: 195 m<sup>3</sup>/h</li> <li>- Air flow by extraction version, step 2: 331 m<sup>3</sup>/h</li> <li>- Air flow by extraction version, step 3: 462 m<sup>3</sup>/h</li> </ul>	<ul style="list-style-type: none"> <li>- Air flow by extraction version, step 1: 195 m<sup>3</sup>/h</li> <li>- Air flow by extraction version, step 2: 331 m<sup>3</sup>/h</li> <li>- Air flow by extraction version, step 3: 462 m<sup>3</sup>/h</li> </ul>
<b>Control</b>	<ul style="list-style-type: none"> <li>- Electronic control</li> <li>- Control setting: Button control</li> <li>- Number of speed positions: 3</li> </ul>	<ul style="list-style-type: none"> <li>- Electronic control</li> <li>- Control setting: Button control</li> <li>- Number of speed positions: 3</li> </ul>
<b>Features</b>	<ul style="list-style-type: none"> <li>- TouchFree Inox</li> <li>- SmartCurve</li> <li>- Lamp type: LED</li> <li>- On/off light switch</li> <li>- Number of lights: 2</li> <li>- Power of lights: 6 W</li> </ul>	<ul style="list-style-type: none"> <li>- TouchFree Inox</li> <li>- SmartCurve</li> <li>- Lamp type: LED</li> <li>- On/off light switch</li> <li>- Number of lights: 2</li> <li>- Power of lights: 6 W</li> </ul>
<b>Equipment</b>	<ul style="list-style-type: none"> <li>- Filter material: Washable aluminium with polyurethane foam</li> <li>- Number of motors: 1</li> <li>- Motor type: Capacitor motor</li> <li>- No return airflow flap: 150 mm</li> </ul>	<ul style="list-style-type: none"> <li>- Filter material: Washable aluminium with polyurethane foam</li> <li>- Number of motors: 1</li> <li>- Motor type: Capacitor motor</li> <li>- No return airflow flap: 150 mm</li> </ul>
<b>Technical data</b>	<ul style="list-style-type: none"> <li>- Max. noise level: 59 dB(A)re 1 pW</li> <li>- Product dimensions (WxD): 90 × 45 cm</li> <li>- Height: 550 mm</li> <li>- Min. height of the chimney: 150 mm</li> <li>- Max. height of the chimney: 380 mm</li> <li>- Annual energy consumption: 55.1 kWh</li> <li>- EAN code: 3838782014222</li> <li>- Code: 578589</li> </ul>	<ul style="list-style-type: none"> <li>- Max. noise level: 59 dB(A)re 1 pW</li> <li>- Product dimensions (WxD): 60 × 45 cm</li> <li>- Height: 550 mm</li> <li>- Min. height of the chimney: 150 mm</li> <li>- Max. height of the chimney: 380 mm</li> <li>- Annual energy consumption: 55.1 kWh</li> <li>- EAN code: 3838782014246</li> <li>- Code: 578591</li> </ul>

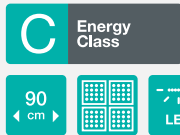


### WHC 923 E14XUK Wall mounted cooker hood

Essential Line

### WHC 623 E14XUK Wall mounted cooker hood

Essential Line



- Venting with air extraction or recirculation
- Material of housing/chimney: Stainless steel / Stainless steel
- Colour of housing/chimney: Stainless steel / Stainless steel

- Venting with air extraction or recirculation
- Material of housing/chimney: Stainless steel / Stainless steel
- Colour of housing/chimney: Stainless steel / Stainless steel

#### Efficiency

- Maximum extraction rate by extraction operation: 412 m<sup>3</sup>/h
- Maximum extraction rate by recirculation operation: 304 m<sup>3</sup>/h
- Venting tube diameter: 15 cm

- Maximum extraction rate by extraction operation: 408 m<sup>3</sup>/h
- Maximum extraction rate by recirculation operation: 300 m<sup>3</sup>/h
- Venting tube diameter: 15 cm

#### The capacity of ventilator

- Air flow by extraction version, step 1: 258 m<sup>3</sup>/h
- Air flow by extraction version, step 2: 356 m<sup>3</sup>/h
- Air flow by extraction version, step 3: 412 m<sup>3</sup>/h

- Air flow by extraction version, step 1: 250 m<sup>3</sup>/h
- Air flow by extraction version, step 2: 348 m<sup>3</sup>/h
- Air flow by extraction version, step 3: 408 m<sup>3</sup>/h

#### Control

- Mechanic control
- Control setting: Button control
- Number of speed positions: 3

- Mechanic control
- Control setting: Button control
- Number of speed positions: 3

#### Features

- Lamp type: LED
- On/off light switch
- Number of lights: 2
- Power of lights: 6 W

- Lamp type: LED
- On/off light switch
- Number of lights: 2
- Power of lights: 6 W

#### Equipment

- Filter material: Washable aluminium with polyurethane foam
- Number of motors: 1
- Motor type: Capacitor motor
- No return airflow flap: 150 mm

- Filter material: Washable aluminium with polyurethane foam
- Number of motors: 1
- Motor type: Capacitor motor
- No return airflow flap: 150 mm

#### Technical data

- Max. noise level: 65 dB(A)re 1 pW
- Product dimensions (WxD): 90 × 50 cm
- Height: 250 mm
- Min. height of the chimney: 545 mm
- Max. height of the chimney: 875 mm
- Annual energy consumption: 59.9 kWh
- EAN code: 3838782014239
- Code: 578590

- Max. noise level: 65 dB(A)re 1 pW
- Product dimensions (WxD): 60 × 50 cm
- Height: 250 mm
- Min. height of the chimney: 545 mm
- Max. height of the chimney: 875 mm
- Annual energy consumption: 61.5 kWh
- EAN code: 3838782014208
- Code: 578537

5  
YEAR  
WARRANTY2  
YEAR  
WARRANTY

NEW

### DFGA 9575 BX

Down draft cooker hood

Superior Line

### BHP 623 E11XUK

Built-in telescopic cooker hood

Essential Line



- Venting with air extraction or recirculation
- Material of housing: Stainless steel and glass
- Colour of housing: Stainless steel and black glass



- Venting with air extraction or recirculation
- Material of housing/chimney: Stainless steel and varnished metal
- Colour of housing/chimney: Stainless steel

<b>Efficiency</b>	<ul style="list-style-type: none"> <li>- Maximum extraction rate by extraction operation: 610 m<sup>3</sup>/h</li> <li>- Maximum extraction rate by recirculation operation: 540 m<sup>3</sup>/h</li> <li>- Venting tube diameter: 15 cm</li> </ul>	<ul style="list-style-type: none"> <li>- Maximum extraction rate by extraction operation: 368 m<sup>3</sup>/h</li> <li>- Maximum extraction rate by recirculation operation: 180 m<sup>3</sup>/h</li> <li>- Venting tube diameter: 15 cm</li> </ul>
<b>The capacity of ventilator</b>	<ul style="list-style-type: none"> <li>- Air flow by extraction version, step 1: 315 m<sup>3</sup>/h</li> <li>- Air flow by extraction version, step 3: 610 m<sup>3</sup>/h</li> <li>- Airflow boost position (PowerBoost 1) - extraction: 660 m<sup>3</sup>/h</li> <li>- Number of PowerBoost functions: 1</li> </ul>	<ul style="list-style-type: none"> <li>- Air flow by extraction version, step 1: 267 m<sup>3</sup>/h</li> <li>- Air flow by extraction version, step 2: 338 m<sup>3</sup>/h</li> <li>- Air flow by extraction version, step 3: 368 m<sup>3</sup>/h</li> </ul>
<b>Control</b>	<ul style="list-style-type: none"> <li>- Electronic control</li> <li>- Control setting: Touch control</li> <li>- Timer function</li> <li>- Number of speed positions: 3</li> </ul>	<ul style="list-style-type: none"> <li>- Mechanic control</li> <li>- Control setting: Button control</li> <li>- Number of speed positions: 3</li> </ul>
<b>Features</b>	<ul style="list-style-type: none"> <li>- Lamp type: LED</li> <li>- On/off light switch</li> <li>- Number of lights: 3</li> <li>- Power of lights: 3 W</li> <li>- Perimetric suction</li> </ul>	<ul style="list-style-type: none"> <li>- TouchFree Inox</li> <li>- Lamp type: LED</li> <li>- On/off light switch</li> <li>- Number of lights: 2</li> <li>- Power of lights: 6 W</li> </ul>
<b>Equipment</b>	<ul style="list-style-type: none"> <li>- Filter material: Aluminium</li> <li>- Grease filter indicator</li> <li>- Washable grease filter</li> <li>- Number of motors: 1</li> <li>- No return airflow flap: 150 mm</li> </ul>	<ul style="list-style-type: none"> <li>- Filter material: Washable aluminium with polyurethane foam</li> <li>- Number of motors: 1</li> <li>- Motor type: Capacitor motor</li> <li>- No return airflow flap: 150 mm</li> </ul>
<b>Technical data</b>	<ul style="list-style-type: none"> <li>- Max. noise level: 62 dB(A)re 1 pW</li> <li>- Product dimensions (WxD): 82.6 × 9.2 cm</li> <li>- Height: 740 mm</li> <li>- Annual energy consumption: 107.5 kWh</li> <li>- EAN code: 3838942787546</li> <li>- Code: 378269</li> </ul>	<ul style="list-style-type: none"> <li>- Max. noise level: 71 dB(A)re 1 pW</li> <li>- Product dimensions (WxD): 60 × 30.5 cm</li> <li>- Height: 170 mm</li> <li>- Annual energy consumption: 55 kWh</li> <li>- EAN code: 3838942136856</li> <li>- Code: 565734</li> </ul>







# EXTRA FRESHNESS, EXTRA VITAMINS.

## NatureFresh Built-in fridge freezers

When it comes to producing food that is fresh, full of taste and rich in nutritional value, nature has always known best. It provides just the right combination of sunshine, fresh air and moisture for optimum growth and maximum flavour. That is why the new **NatureFresh built-in fridge freezers** from Gorenje mimic the natural conditions by maintaining the photosynthesis process, controlling the humidity levels and providing fresher air. Additionally, Gorenje NatureFresh built-in fridge freezers have high energy ratings, ranging from A+ to A+++ and their modular and flexible design ensures they will suit every lifestyle perfectly.



 **CrispZone with VitaLight and SmartHumidity**  
Just like garden-fresh

One of the largest fruit and vegetables bins in the market, CrispZone extends the freshness of your produce with low temperature, automatic humidity control and special light. SmartHumidity keeps the humidity in the drawer at optimum level

at all times thanks to a special membrane which automatically lets out excess moisture. VitaLight maintains the natural ripening process to retain vitamins and keep freshly picked or bought fruit and vegetables fresh and crisp for a longer time.



 **IonAir with DynamiCooling**  
Keeps only the pleasant aromas

Air enriched with extra negative ions preserves taste and removes unpleasant odours, while the advanced fan system equalizes the temperature throughout the entire refrigerator and

evenly distributes ionized air, ensuring any type of food can be placed on any shelf.



## AdaptTech

A fridge freezer that recognizes your habits

This smart system was devised to maintain the optimum temperature in the refrigerator regardless of how frequently you open the door. When the door is opened, the temperature suddenly rises and the food is exposed to a thermal shock which in turn causes it to perish sooner. The refrigerator continuously monitors and analyzes the way you use it. Thus, it can predict when you will open the fridge door and just before you do, it decreases the temperature by 1 or 2 °C to make sure constant temperature is maintained, ensuring the food stays fresh and full of nutrients.



## NoFrost DualAdvance

Optimum double air circulation system

Intensive circulation of cool air in the freezer compartment reduces the humidity level and prevents accumulation of frost on the food and ice on the freezer walls. In the refrigerator compartment, it provides optimum food storage conditions. This leads to optimum cooling and freezing control, each adjusted to the respective processes in the two separate parts of the appliance.

- No more freezer defrosting
- Frozen food will no longer stick together.
- Quality frozen food
- Better view of the contents
- More space
- No exchange of odours between the freezer and refrigerator compartment
- Fresh food will not dry out and remain fresh longer.



## FreshZone

Fresh as if straight from nature

The drawer with the lowest temperature in the refrigerator is ideal for storing meat, fish, fruit, and vegetables. It will preserve the food's freshness, aroma, colour, and flavour for much longer.



## LedLight

Well-arranged and efficient

LED lighting in refrigerators provides excellent and highly efficient illumination. Its useful life is thirty times as long as that of conventional light bulbs, and it saves up to ten times as much power.



## MultiAdjust shelves

Endless storage possibilities

These sturdy glass shelves can be very easily adjusted in position, inserted into the fridge or taken out, thereby allowing you complete freedom to adjust the fridge interior according to your specific needs. The tempered glass shelves are highly durable and will securely carry even larger amounts of food.



## MixBox

Keep your fridge neat and tidy

This shallow drawer will store all your smaller items, like spreads, butter, fish cans and snacks making sure your fridge is organized and food doesn't stay forgotten past its due date. Its slide in-and-out function ensures easy access to its content.



### **FastFreeze** Rapid freezing

The FastFreeze function freezes the food at  $-24\text{ }^{\circ}\text{C}$  to preserve most of the minerals in the food. After approximately 2 days, the function is switched off automatically and the freezer compartment temperature returns to the initial setting. And in case you forget, smart sensors make sure the function is switched on at the right time.



### **XXL SpaceBox** Enough space to store a turkey

This freezer compartment drawer is the largest in the appliance and it is ideal for storing large items like a turkey, several pizzas, or even cakes.



### **SuperCool** Rapid cooling after weekly shopping

The intensive cooling function drops the refrigerator temperature to  $3\text{ }^{\circ}\text{C}$ , which is lower than usual by nearly a half. Combined with large refrigerator compartment volume, this temperature is ideal for rapid cooling of food after major shopping trips. After six hours, the function is switched off automatically and the refrigerator compartment temperature returns to the initial setting. And in case you forget, smart sensors make sure the function is switched on at the right time.



### **MultiBox** Multi-functional, practical box

The multi-purpose bin with a lid in the refrigerator door can be used for storing cheese, onions, and other food with a pungent smell. It keeps the food fresh and protects it from drying, while the silicone cover can be used as an egg or ice tray.



 **Deep door bottle shelf**  
Secure storage for bottles

Refrigerator door has plenty of storage for the largest glass or plastic bottles. A special fence holds the items in place to

prevent it from moving and damage while the door is opened or closed.



 **Bottle holder**  
The right place for bottles and cans

In Gorenje refrigerators, bottles do not take up the space that could be conveniently used to store other items in the refrigerator door racks or on glass shelves; the designated bottle holder ensures optimum use of storage space.



 **FrostLess**  
Less ice, more energy saving

Improved insulation effectively reduces the accumulation of frost on the food and ice in the appliance interior. This means less tedious defrosting and a lower electricity bill.



### Flat hinge

Easier door opening and closing

The heavy-duty hinge allows storing heavier items in the door bins, as well as opening the door to an angle of 115°. This allows a clearer look of the interior and makes loading the fridge and taking the food from it more convenient as the door won't keep closing. If the door is left ajar, the hinge will fully close it to save power.



### Compressor featuring valve technology

Separate temperature adjustment for refrigerator and freezer

Unlike conventional single-compressor models, those featuring a single compressor with a valve allow separate temperature setting for the refrigerator and freezer compartment. Moreover, cooling for the refrigerator compartment can be switched off while the freezer compartment continues to operate.



### A++

Top energy efficiency

All Gorenje fridge freezers are highly energy-efficient. Excellent thermal insulation and door sealing, inverter compressor, and electronic or mechanical control efficiently reduce power consumption. Fridge freezers with the A++ energy efficiency rating use 40% less power than those in the A class.



### Side-by-side layout

The perfect couple for your kitchen

The side-by-side layout option allows you to maximise the use of available storage space within a limited surface area and fully adapt it to your needs, as you can combine different appliances (fridges, freezers and even wine chillers).



### NRKI 5182 A1UK Advanced Line

Built-in integrated fridge freezer

### RKI 5182 A1UK Advanced Line

Built-in integrated fridge freezer



- Colour: White
- Reversible door opening
- Door material: Steel sheet
- Door to door hinge
- Climate class: SN, ST, N, T

- Colour: White
- Reversible door opening
- Door material: Steel sheet
- Door to door hinge
- Climate class: SN, ST, N, T

<b>Efficiency</b>	<ul style="list-style-type: none"> <li>- 1 compressor</li> <li>- Total gross/net volume: 269 / 248 l</li> <li>- Capacity of cooling compartment: gross/net: 183 / 180 l</li> <li>- Capacity of freezer compartment: gross/net: 86 / 68 l</li> <li>- Freezing capacity in 24 hours: 8 kg / 24h</li> <li>- Power cut safe time: 16 h</li> </ul>	<ul style="list-style-type: none"> <li>- 1 compressor</li> <li>- Total gross/net volume: 263 / 258 l</li> <li>- Capacity of cooling compartment: gross/net: 190 / 187 l</li> <li>- Capacity of freezer compartment: gross/net: 73 / 71 l</li> <li>- Freezing capacity in 24 hours: 3,5 kg / 24h</li> <li>- Power cut safe time: 18 h</li> </ul>
<b>Control</b>	<ul style="list-style-type: none"> <li>- Electronic control</li> <li>- LED display</li> <li>- Sound alarm for open door</li> <li>- Digital temperature indicator for refrigerator</li> <li>- Sound and visual signal for high temperature in refrigerator: white signal</li> </ul>	<ul style="list-style-type: none"> <li>- Electronic control</li> <li>- LED display</li> <li>- Sound alarm for open door</li> <li>- Digital temperature indicator for refrigerator</li> <li>- Sound and visual signal for high temperature in refrigerator: white signal</li> </ul>
<b>Features</b>	<ul style="list-style-type: none"> <li>- AdaptTech cooling: Memorizing intelligent system</li> <li>- NoFrost DualAdvance</li> <li>- Fan-assisted cooling in fridge // IonAir with DynamiCooling</li> <li>- FastFreeze</li> </ul>	<ul style="list-style-type: none"> <li>- AdaptTech cooling: Memorizing intelligent system</li> <li>- FrostLess</li> <li>- Fan-assisted cooling in fridge // IonAir with DynamiCooling</li> <li>- FastFreeze</li> </ul>
<b>Equipment of refrigerator</b>	<ul style="list-style-type: none"> <li>- LED strip on the ceiling // 5 glass shelves // MultiAdjust shelves // The wire bottle rack // 2 door trays // 1 single door bottle container with fixed stopper // 1 MultiBox container // CrispZone with VitaLight and SmartHumidity // FreshZone drawer</li> </ul>	<ul style="list-style-type: none"> <li>- LED strip on the ceiling // 5 glass shelves // MultiAdjust shelves // The wire bottle rack // 2 door trays // 1 single door bottle container with fixed stopper // 1 MultiBox container // CrispZone with VitaLight and SmartHumidity // FreshZone drawer</li> </ul>
<b>Equipment of freezer</b>	<ul style="list-style-type: none"> <li>- SpaceBox 38 l</li> <li>- Freezing compartment: 3 drawers</li> <li>- 2 glass shelves</li> </ul>	<ul style="list-style-type: none"> <li>- SpaceBox 38 l</li> <li>- Freezing compartment: 3 drawers</li> <li>- 2 glass shelves</li> </ul>
<b>Technical data</b>	<ul style="list-style-type: none"> <li>- Energy consumption kWh/24h: 0,63 kWh</li> <li>- Energy consumption kWh/year: 230 kWh</li> <li>- Level of noise (max.): 39 dB(A)re 1 pW</li> <li>- Product dimensions (HxWxD): 177.2 × 55.5 × 54.5 cm</li> <li>- Niche dimensions min-max (HxWxD): 177.5-178 × 56-57 × 56 cm</li> <li>- EAN code: 3838782051777</li> <li>- Code: 728891</li> </ul>	<ul style="list-style-type: none"> <li>- Energy consumption kWh/24h: 0,616 kWh</li> <li>- Energy consumption kWh/year: 225 kWh</li> <li>- Level of noise (max.): 38 dB(A)re 1 pW</li> <li>- Product dimensions (HxWxD): 177.2 × 55.5 × 54.5 cm</li> <li>- Niche dimensions min-max (HxWxD): 177.5-178 × 56-57 × 56 cm</li> <li>- EAN code: 3838782051760</li> <li>- Code: 728890</li> </ul>



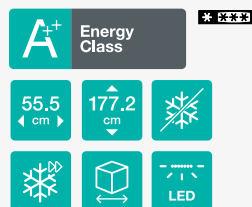


### RI 5182 A1UK Advanced Line

Built-in integrated refrigerator

### FNI 5182 A1UK Advanced Line

Built-in upright freezer



- Colour: White
- Reversible door opening
- Door material: Steel sheet
- Door to door hinge
- Climate class: SN, ST, N, T

- Colour: White
- Door material: Reversible door opening
- Steel sheet
- Door to door hinge
- Climate class: SN, ST, N, T

#### Efficiency

- 1 compressor
- Total gross/net volume: 305 / 301 l
- Capacity of cooling compartment: gross/net: 305 / 301

- Total gross/net volume: 235 / 212 l
- Freezing capacity in 24 hours: 10 kg
- Power cut safe time: 20 h

#### Control

- Electronic control
- LED display
- Sound alarm for open door
- Digital temperature indicator for refrigerator
- Sound and visual signal for high temperature in refrigerator: white signal

- Electronic control
- LED display
- Automatic defrost freezer
- NoFrost
- Digital temperature indicator for freezer // Sound alarm for open door

#### Features

- AdaptTech cooling: Memorizing intelligent system
- Fan-assisted cooling in fridge
- IonAir with DynamiCooling
- SuperCool

- FastFreeze

#### Equipment of refrigerator

- LED strip on the ceiling // 7 glass shelves // MultiAdjust shelves // The wire bottle rack // 4 door trays // 2 single door bottle containers with fixed stopper // 1 MultiBox container // MixBox // CrispZone with VitalLight and SmartHumidity // FreshZone drawer

#### Equipment of freezer

- Illuminated interior of freezer compartment: LED light
- 7 glass shelves
- SpaceBox 38 l
- Freezing compartment: 1 door, 7 drawers

#### Technical data

- Energy consumption kWh/24h: 0,309 kWh
- Energy consumption kWh/year: 113 kWh
- Level of noise (max.): 37 dB(A)re 1 pW
- Product dimensions (HxWxD): 177.2 × 55.5 × 54.5 cm
- Niche dimensions min-max (HxWxD): 177.5-178 × 56-57 × 56 cm
- EAN code: 3838782051753
- Code: 728887

- Energy consumption kWh/24h: 0,667 kWh
- Energy consumption kWh/year: 243 kWh:
- Level of noise (max.): 39 dB(A)re 1 pW
- Product dimensions (HxWxD): 177.2 × 55.5 × 54.5 cm
- Niche dimensions min-max (HxWxD): 177.5-178 × 56-57 × 56 cm
- EAN code: 3838782052149
- Code: 728889



### NRKI 4181 E1UK

Built-in integrated fridge freezer

Essential Line

### NRCI 4181 CW

Built-in integrated fridge freezer

Advanced Line



- Colour: White
- Reversible door opening
- Door material: Steel sheet
- Sliding door hinge
- Climate class: N, ST, T

- Colour: White
- Reversible door opening
- Door material: Steel sheet
- Sliding door hinge
- Climate class: SN, ST, N

#### Efficiency

- 1 compressor
- Total gross/net volume: 269 / 248 l
- Capacity of cooling compartment: gross/net: 183 / 180 l
- Capacity of freezer compartment: gross/net: 86 / 68 l
- Freezing capacity in 24 hours: 8 kg / 24h
- Power cut safe time: 16 h

- 1 compressor
- Total gross/net volume: 267 / 250 l
- Capacity of cooling compartment: gross/net: 163 / 162 l
- Capacity of freezer compartment: gross/net: 104 / 88 l
- Freezing capacity in 24 hours: 4 kg / 24h
- Power cut safe time: 12 h

#### Control

- Electronic control
- LED display
- Flashing lighting for open door
- Digital temperature indicator for refrigerator

- Electronic control

#### Features

- NoFrost DualAdvance
- SuperCool
- Saving programme EcoMode

- NoFrost DualAdvance
- FastFreeze
- Programme Eco

#### Equipment of refrigerator

- Egg/Ice bin: 1 x 7
- LED strip on the ceiling
- 5 glass shelves
- MultiAdjust shelves
- The wire bottle rack
- 2 door trays
- 1 single door bottle container with fixed stopper
- CrispZone with HumidityControl

- Standard interior light on the ceiling
- 4 glass shelves
- 1 door tray, 1 tray with lid
- 1 single door bottle container with fixed stopper
- 2 vegetable drawers

#### Equipment of freezer

- SpaceBox 38 l
- Freezing compartment: 3 drawers
- 2 glass shelves

- 3 drawers for storage of frozen food
- 1 compartment with door for frozen food
- 1 ice tray

#### Technical data

- Energy consumption kWh/24h: 0.803 kWh
- Energy consumption kWh/year: 293 kWh
- Level of noise (max.): 39 dB(A)re 1 pW
- Product dimensions (HxWxD): 177.2 x 54 x 54.5 cm
- Niche dimensions min-max (HxWxD): 177.5-178 x 56-57 x 56 cm
- EAN code: 3838782101342
- Product code: 730171

- Energy consumption kWh/24h: 0.805 kWh
- Energy consumption kWh/year: 294 kWh
- Level of noise (max.): 42 dB(A)re 1 pW
- Product dimensions (HxWxD): 177.5 x 54 x 54.5 cm
- Niche dimensions min-max (HxWxD): 177.5-178 x 56-57 x 56 cm
- EAN code: 3838942818028
- Product code: 393916

5  
YEAR  
WARRANTY5  
YEAR  
WARRANTY

### RKI 4181 AWW

Essential Line  
Built-in integrated fridge freezer

### RCI 4181 AWW

Essential Line  
Built-in integrated fridge freezer



- Colour: White
- Reversible door opening
- Door material: Steel sheet
- Sliding door hinge
- Climate class: SN, ST, N

- Colour: White
- Reversible door opening
- Door material: Steel sheet
- Sliding door hinge
- Climate class: SN, ST, N

<b>Efficiency</b>	<ul style="list-style-type: none"> <li>- 1 compressor</li> <li>- Total gross/net volume: 254 / 238 l</li> <li>- Capacity of cooling compartment: gross/net: 142 / 140 l</li> <li>- Capacity of freezer compartment: gross/net: 112 / 98 l</li> <li>- Freezing capacity in 24 hours: 4,5 kg / 24h</li> <li>- Power cut safe time: 15 h</li> </ul>	<ul style="list-style-type: none"> <li>- 1 compressor</li> <li>- Total gross/net volume: 258 / 242 l</li> <li>- Capacity of cooling compartment: gross/net: 177 / 173 l</li> <li>- Capacity of freezer compartment: gross/net: 81 / 69 l</li> <li>- Freezing capacity in 24 hours: 9 kg / 24h</li> <li>- Power cut safe time: 14 h</li> </ul>
<b>Control</b>	- Mechanic control	- Mechanic control
<b>Features</b>	<ul style="list-style-type: none"> <li>- Fan-assisted cooling in fridge</li> <li>- SuperCool</li> <li>- FastFreeze</li> </ul>	<ul style="list-style-type: none"> <li>- Fan-assisted cooling in fridge</li> <li>- SuperCool</li> <li>- FastFreeze</li> </ul>
<b>Equipment of refrigerator</b>	<ul style="list-style-type: none"> <li>- Standard interior light by side</li> <li>- 3 glass shelves</li> <li>- The wire bottle rack</li> <li>- 3 door trays, 2 trays with lid</li> <li>- 1 single door bottle container with fixed stopper</li> <li>- Flexible egg tray (6×)</li> <li>- 2 vegetable drawers</li> </ul>	<ul style="list-style-type: none"> <li>- Standard interior light by side</li> <li>- 4 glass shelves</li> <li>- The wire bottle rack</li> <li>- 4 door trays, 2 trays with lid</li> <li>- 1 single door bottle container with fixed stopper</li> <li>- 2 egg racks (6×)</li> <li>- 2 vegetable drawers</li> </ul>
<b>Equipment of freezer</b>	<ul style="list-style-type: none"> <li>- 3 drawers for storage of frozen food</li> <li>- 1 drawer for freezing</li> </ul>	<ul style="list-style-type: none"> <li>- 2 storage drawers</li> <li>- 1 drawer for freezing</li> </ul>
<b>Technical data</b>	<ul style="list-style-type: none"> <li>- Energy consumption kWh/24h: 0.761 kWh</li> <li>- Energy consumption kWh/year: 278 kWh</li> <li>- Level of noise (max.): 40 dB(A)re 1 pW</li> <li>- Product dimensions (HxWxD): 177.5 × 54 × 54.5 cm</li> <li>- Niche dimensions min-max (HxWxD): 177.5-178 × 56-57 × 55 cm</li> <li>- EAN code: 3838942815973</li> <li>- Product code: 392701</li> </ul>	<ul style="list-style-type: none"> <li>- Energy consumption kWh/24h: 0.726 kWh</li> <li>- Energy consumption kWh/year: 265 kWh</li> <li>- Level of noise (max.): 40 dB(A)re 1 pW</li> <li>- Product dimensions (HxWxD): 177.5 × 54 × 54.5 cm</li> <li>- Niche dimensions min-max (HxWxD): 177.5-178 × 56-57 × 55 cm</li> <li>- EAN code: 3838942815980</li> <li>- Product code: 392704</li> </ul>



### RI 4181 E1UK

Built-in integrated refrigerator

Essential Line

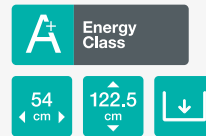


- Colour: White
- Reversible door opening
- Door material: Steel sheet
- Sliding door hinge
- Climate class: SN, N, ST, T

### RI 4121 AW

Built-in integrated refrigerator

Essential Line



- Colour: White
- Reversible door opening
- Door material: Steel sheet
- Sliding door hinge
- Climate class: SN, ST, N

<b>Efficiency</b>	<ul style="list-style-type: none"> <li>- 1 compressor</li> <li>- Total gross/net volume: 305 / 301 l</li> <li>- Capacity of cooling compartment: gross/net: 305 / 301 l</li> </ul>	<ul style="list-style-type: none"> <li>- 1 compressor</li> <li>- Total gross/net volume: 214 / 213 l</li> <li>- Capacity of cooling compartment: gross/net: 214 / 213 l</li> </ul>
<b>Control</b>	- Mechanic control	- Mechanic control
<b>Features</b>	<ul style="list-style-type: none"> <li>- Fan-assisted cooling in fridge</li> <li>- IonAir with DynamiCooling</li> <li>- Saving programme EcoMode</li> </ul>	
<b>Equipment of refrigerator</b>	<ul style="list-style-type: none"> <li>- Egg/Ice bin: 1 x 7</li> <li>- LED strip on the ceiling</li> <li>- 7 glass shelves</li> <li>- MultiAdjust shelves</li> <li>- The wire bottle rack</li> <li>- 4 door trays</li> <li>- 2 single door bottle containers with fixed stopper</li> <li>- CrispZone with HumidityControl</li> <li>- CrispZone: vegetable drawer</li> </ul>	<ul style="list-style-type: none"> <li>- Standard interior light by side</li> <li>- 5 glass shelves</li> <li>- 3 door trays, 1 tray with lid</li> <li>- 1 single door bottle container with sliding stopper</li> <li>- 2 egg racks (6x)</li> <li>- 1 vegetable drawer</li> </ul>
<b>Equipment of freezer</b>		
<b>Technical data</b>	<ul style="list-style-type: none"> <li>- Energy consumption kWh/24h: 0.397 kWh</li> <li>- Energy consumption kWh/year: 145 kWh</li> <li>- Level of noise (max.): 37 dB(A)re 1 pW</li> <li>- Product dimensions (HxWxD): 177.2 x 54 x 54,5 cm</li> <li>- Niche dimensions min-max (HxWxD): 177.5-178 x 56-57 x 56 cm</li> <li>- EAN code: 3838782101618</li> <li>- Product code: 730182</li> </ul>	<ul style="list-style-type: none"> <li>- Energy consumption kWh/24h: 0.355 kWh</li> <li>- Energy consumption kWh/year: 130 kWh</li> <li>- Level of noise (max.): 41 dB(A)re 1 pW</li> <li>- Product dimensions (HxWxD): 122.5 x 54 x 54,5 cm</li> <li>- Niche dimensions min-max (HxWxD): 122.5-123 x 56-57 x 55 cm</li> <li>- EAN code: 3838942819421</li> <li>- Product code: 393918</li> </ul>

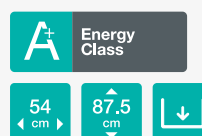
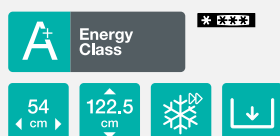


### RBI 4121 AW Essential Line

Built-in integrated refrigerator

### RI 4091 AW Essential Line

Built-in integrated refrigerator



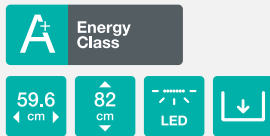
- Colour: White
- Reversible door opening
- Door material: Steel sheet
- Sliding door hinge
- Climate class: SN, ST, N

- Colour: White
- Reversible door opening
- Door material: Steel sheet
- Sliding door hinge
- Climate class: ST, N

<b>Efficiency</b>	<ul style="list-style-type: none"> <li>- 1 compressor</li> <li>- Total gross/net volume: 205 / 202 l</li> <li>- Capacity of cooling compartment: gross/net: 188 / 185 l</li> <li>- Capacity of freezer compartment: gross/net: 17 / 17 l</li> <li>- Freezing capacity in 24 hours: 2 kg / 24h</li> <li>- Power cut safe time: 12 h</li> </ul>	<ul style="list-style-type: none"> <li>- 1 compressor</li> <li>- Total gross/net volume: 146 / 145 l</li> <li>- Capacity of cooling compartment: gross/net: 146 / 145 l</li> </ul>
<b>Control</b>	- Mechanic control	- Mechanic control
<b>Features</b>	- FastFreeze	
<b>Equipment of refrigerator</b>	<ul style="list-style-type: none"> <li>- Standard interior light by side</li> <li>- 4 glass shelves</li> <li>- 3 door trays, 1 tray with lid</li> <li>- 1 single door bottle container with sliding stopper</li> <li>- 2 egg racks (6×)</li> <li>- 1 vegetable drawer</li> </ul>	<ul style="list-style-type: none"> <li>- Standard interior light by side</li> <li>- 4 glass shelves</li> <li>- 2 door trays, 1 tray with lid</li> <li>- 1 single door bottle container with sliding stopper</li> <li>- 2 egg racks (6×)</li> <li>- 1 vegetable drawer</li> </ul>
<b>Equipment of freezer</b>	<ul style="list-style-type: none"> <li>- 1 compartment with door for frozen food</li> <li>- 1 ice tray</li> </ul>	
<b>Technical data</b>	<ul style="list-style-type: none"> <li>- Energy consumption kWh/24h: 0.607 kWh</li> <li>- Energy consumption kWh/year: 222 kWh</li> <li>- Level of noise (max.): 41 dB(A)re 1 pW</li> <li>- Product dimensions (HxWxD): 122.5 × 54 × 54.5 cm</li> <li>- Niche dimensions min-max (HxWxD): 122.5-123 × 56-57 × 55 cm</li> <li>- EAN code: 3838942819445</li> <li>- Product code: 393924</li> </ul>	<ul style="list-style-type: none"> <li>- Energy consumption kWh/24h: 0.331 kWh</li> <li>- Energy consumption kWh/year: 121 kWh</li> <li>- Level of noise (max.): 38 dB(A)re 1 pW</li> <li>- Product dimensions (HxWxD): 87.5 × 54 × 54.5 cm</li> <li>- Niche dimensions min-max (HxWxD): 87.5-88 × 56-57 × 55 cm</li> <li>- EAN code: 3838942819438</li> <li>- Product code: 393922</li> </ul>



**RIU 6F091 AWUK** Essential Line  
Built under integrated refrigerator



- Colour: White
- Reversible door opening
- Door material: Steel sheet
- Door hinge: Door to door hinge
- Climate class: SN, ST, N

#### Efficiency

- 1 compressor
- Total gross/net volume: 144 / 143 l
- Capacity of cooling compartment: gross/net: 144 / 143 l

#### Control

- Mechanic control

#### Features

##### Equipment of refrigerator

- LED bulb on side
- 3 glass shelves
- 1 SimpleSlide height adjustable door tray
- 1 single door bottle container without stopper
- 1 MultiBox container
- 1 big glass pull-out tray
- 1 vegetable drawer
- Ventilation with fan through base

##### Equipment of freezer

-

#### Technical data

- Energy consumption kWh/24h: 0.323 kWh
- Level of noise (max.): 37 dB(A)re 1 pW
- Dimensions (HxWxD): 82 × 59.6 × 54,5 cm
- Niche dimensions min-max (HxWxD): 82-90 × 60 × 55 cm
- EAN code: 3838942104206
- Code: 538854



**RBIU 6F091 AWUK** Essential Line  
Built under integrated refrigerator



- Colour: White
- Reversible door opening
- Door material: Steel sheet
- Door hinge: Door to door hinge
- Climate class: ST, N

#### Efficiency

- 1 compressor
- Total gross/net volume: 130 / 126 l
- Capacity of cooling compartment: gross/net: 109 / 105 l
- Capacity of freezer compartment: gross/net: 21 / 21 l
- Freezing capacity in 24 hours: 2 kg / 24h
- Power cut safe time: 12 h

#### Control

- Mechanic control

#### Features

##### Equipment of refrigerator

- LED bulb on side
- 2 glass shelves
- 1 SimpleSlide height adjustable door tray
- 1 single door bottle container without stopper
- 1 MultiBox container
- 1 big glass pull-out tray
- 1 vegetable drawer
- Ventilation with fan through base

##### Equipment of freezer

- Freezing compartment: 1 door

#### Technical data

- Energy consumption kWh/24h: 0.493 kWh
- Level of noise (max.): 38 dB(A)re 1 pW
- Dimensions (HxWxD): 82 × 59.6 × 54,5 cm
- Niche dimensions min-max (HxWxD): 82-90 × 60 × 55 cm
- EAN code: 3838942104213
- Code: 538855



### FI 4091 AW

Built-in upright freezer

Essential Line

### FIU 6F091 AWUK

Built under integrated upright freezer

Essential Line



- Colour: White
- Reversible door opening
- Climate class: SN, ST, N
- Sliding door hinge



- Colour: White
- Reversible door opening
- Door hinge: Door to door hinge
- Climate class: SN, ST, N

<b>Efficiency</b>	<ul style="list-style-type: none"> <li>- 1 compressor</li> <li>- Total gross/net volume: 103 / 86 l</li> <li>- Freezing capacity in 24 hours: 13 kg</li> <li>- Power cut safe time: 15 h</li> </ul>	<ul style="list-style-type: none"> <li>- 1 compressor</li> <li>- Total gross/net volume: 96 / 86 l</li> <li>- Freezing capacity in 24 hours: 8 kg</li> <li>- Power cut safe time: 17 h</li> </ul>
<b>Control</b>	<ul style="list-style-type: none"> <li>- Electronic control SensoTech</li> <li>- Manual controlled defrost freezer</li> <li>- Visual signal for high temperature in freezer: red signal</li> </ul>	<ul style="list-style-type: none"> <li>- Electronic control</li> <li>- Manual controlled defrost freezer</li> <li>- Visual signal for high temperature in freezer: red signal</li> </ul>
<b>Features</b>	<ul style="list-style-type: none"> <li>- FastFreeze</li> </ul>	<ul style="list-style-type: none"> <li>- FastFreeze</li> </ul>
<b>Equipment of freezer</b>	<ul style="list-style-type: none"> <li>- 3 drawers for storage of frozen food</li> <li>- 1 drawer for freezing</li> </ul>	<ul style="list-style-type: none"> <li>- 2 drawers for storage of frozen food</li> <li>- 1 drawer for freezing</li> </ul>
<b>Technical data</b>	<ul style="list-style-type: none"> <li>- Energy consumption kWh/24h: 0.512 kWh</li> <li>- Energy consumption kWh/year: 187 kWh</li> <li>- Level of noise (max.): 40 dB(A)re 1 pW</li> <li>- Product dimensions (HxWxD): 87.5 × 54 × 54.5 cm</li> <li>- Niche dimensions min-max (HxWxD): 87.5-88 × 56-57 × 55 cm</li> <li>- EAN code: 3838942819452</li> <li>- Product code: 393926</li> </ul>	<ul style="list-style-type: none"> <li>- Energy consumption kWh/24h: 0.487 kWh</li> <li>- Level of noise (max.): 39 dB(A)re 1 pW</li> <li>- Dimensions (HxWxD): 82 × 59.6 × 54,5 cm</li> <li>- Niche dimensions min-max (HxWxD): 82-90 × 60 × 55 cm</li> <li>- EAN code: 3838942104329</li> <li>- Code: 538838</li> </ul>







# FULLY QUALIFIED TO DO YOUR JOB.

## Smartflex dishwashers from Gorenje

The new SmartFlex dishwashers are inspired by modern lifestyle. Because our everyday life can be quite dynamic we created a generation of dishwasher that takes the load of your shoulders with the help of many advanced features.

The interior is designed in such a way that every dish and piece of cutlery has its place, no matter the shape or size. The baskets are equipped with highlighted movable elements and a customizable basket layout for easy loading, while the cutlery can be perfectly organized on a special tray where it can thoroughly dry out after washing. Furthermore, the SmartFlex dishwashers offer you a variety of helpful functions: a wide range of fast washing options that are among the best in the market and can take care of any load in no time, automatic opening of the door for releasing steam and letting the dishes dry out and the dissolving of bad odors through the natural process of ionization.



## 16 place settings

As flexible as your time will be

The SmartFlex dishwashers offer enough space for all your needs. Three baskets enable washing up to 16 place settings

at a time. The fully flexible interior allows for different loading options, the use is simple and the washing effects are perfect.



## 15 min SpeedWash

Clean fast so you can slow down

Imagine throwing a dinner party and the dishes from the main course are cleaned in the time it takes to serve dessert. A quick 20 min programme with the SpeedWash function will do your dishes in only 15 minutes. Perfect for handling the volume of dishes created by having multiple guests in the house.



## TotalDry

Takes care of itself

After the washing cycle, the dishwasher door automatically opens just slightly to let out the excess steam. This allows fresh air to reach the crockery so the washed items, like plastic dishes, dry completely. Excellent for quick drying with low energy consumption.



## AutoProgramme

Party for two or twelve – the dishes will be spotlessly clean

Sometimes all you need is to give the glassware a light rinse, on other occasions your dishwasher is full of heavy dishes left over from Sunday lunch. The advanced sensor technology will always adjust your dishwashing programme to clean dishes perfectly with optimized water and energy consumption. You do not need special programmes for glass or intensive cleaning – the single AutoProgramme will adapt to all your needs.



## ExtraHygiene

Always a clean baby bottle

This option prolongs washing time and increases temperature for 5°C which in combination with intensive programme enables temperature of 75°C, which eliminates most of bacteria. The program that mimics the sterilization process is made for families with babies, for cleaning baby utensils and bottles.



## Total AquaStop

Do not worry about water spillage

With the AquaStop safety feature, the dishwasher can be safely left to operate at night as well as in your absence. In case of a leakage or flooding, AquaStop automatically cuts off the water supply while the pump siphons the residual water out of the dishwasher basin. AquaStop remains fully functional over the lifespan of the appliance.



## Hot water connection

Higher temperature, lower consumption

Gorenje dishwashers can also be connected to hot water (max. 70 °C) instead of cold. Choosing a hot water connection cuts programme times and reduces the dishwasher's electricity consumption. An environmentally and budget friendly solution for your family.



## SmartControl

Simple and intuitive

Navigating your dishwasher has never been easier. All the controls are located at an ergonomic position with a straightforward left-to-right logic of operation. While all models

excel with the white LED display, some of the more advanced models are also enriched with touch control. Just one touch is enough to start the dishwashing process.



## Status LedLight

Always in control

The special LED lamp installed on the lower part of the dishwasher door constantly indicates the current stage of the dishwashing program. That way you always know whether you can safely add dishes or if your dishwasher is in intensive washing state, whether the drying process has already started or if the washing cycle is over.



## SuperSilent

No louder than a whisper

The most silent dishwashers operate at declared noise level of 45 dB which is equivalent to a whispering conversation of two persons. The silent operation comes as a result of special sound insulation, efficient motors, high-quality materials and innovative solutions of the dishwashing system.

2  
YEAR  
WARRANTY2  
YEAR  
WARRANTY

### GV 66260 UK

Fully integrated dishwasher

Superior Line



### GV 64160 UK

Fully integrated dishwasher

Advanced Line



<b>Efficiency</b>	- Max. temperature of inflow water: 70 °C - Asynchronous single phase motor	- Max. temperature of inflow water: 70 °C - Asynchronous single phase motor
<b>Control</b>	- TouchControl	- Control: Button
<b>Programmes</b>	- Washing temperature(s): 70, 65, 55, 45, 35 °C - 5 programmes: Automatic programme; Intensive programme; Eco programme; Rinsing; Quick programme 20 - Reference programme: 3 - Memory programme - Automatic programme - QuickIntensive programme	- Washing temperature(s): 70, 65, 55, 45, 35 °C - 5 programmes: Automatic programme; Intensive programme; Eco programme; Rinsing; Quick programme 20 - Reference programme: 3 - Memory programme - Automatic programme - QuickIntensive programme
<b>Features</b>	- 16 place settings // SpeedWash function // TotalDry – automatic door opening // ExtraHygiene // Function 3 in 1 // Status Light // Visual indicator for wash finish on control panel // Voice signal for the end of washing cycle // Sliding door	- 13 place settings // SpeedWash function // Half load // TotalDry – automatic door opening // Function 3 in 1 // Visual indicator for wash finish on control panel
<b>UseLogic technology</b>	- Start delay up to 24 hours	- Start delay up to 24 hours
<b>Equipment</b>	- Number of baskets: 3 // Upper basket system: MultiClack // Foldable bottom plate baskets // Number of water jet levels: 5 // Number of spray arms: 3 // Selfcleaning filter // Upper basket: Wide mesh base; Handle with plastic logotype; Foldable left CupHolder; Foldable right CupHolder; Wide knife stand; One foldable glass support // Lower basket: Wide mesh base; Handle with stainless steel logotype; Foldable/divisible rear pin row // Top tray: With telescopic rails; Handle with stainless steel logotype	- Number of baskets: 2 // Upper basket system: MultiClack // Foldable bottom plate baskets // Number of water jet levels: 4 // Number of spray arms: 2 // Selfcleaning filter // Upper basket: Wide mesh base; Handle with plastic logotype; Foldable left CupHolder; Foldable right CupHolder; Fixed pin rows; Fixed glass support; Standard knife stand // Lower basket: Wide mesh base; Handle with plastic logotype; Foldable/divisible rear pin row; Cutlery basket
<b>Safety</b>	- Total AquaStop - Service diagnostics - Stainless steel tub	- Total AquaStop - Service diagnostics - Stainless steel tub
<b>Consumption data (IEC standard EN 50242)</b>	- Water consumption: 9,5 l - Energy consumption - normal program: 0,86 kWh - Estimated annual water consumption: 2660 l	- Water consumption: 9,5 l - Energy consumption - normal program: 0,92 kWh - Estimated annual water consumption: 2660 l
<b>Technical data</b>	- Height setting: 50 mm - Level of noise (max.): 45 dB(A)re 1 pW - Product dimensions (HxWxD): 81.7 × 59.6 × 55.6 cm - Niche dimensions (HxWxD): 82 × 60 × 57 cm - EAN code: 3838782040658 - Code: 728248	- Height setting: 50 mm - Level of noise (max.): 47 dB(A)re 1 pW - Product dimensions (HxWxD): 81.7 × 59.6 × 55.6 cm - Niche dimensions (HxWxD): 82 × 60 × 57 cm - EAN code: 3838782040870 - Code: 728196



### GV 61010 UK

Fully integrated dishwasher

Essential Line

### GV 55110 UK

Fully integrated dishwasher

Advanced Line

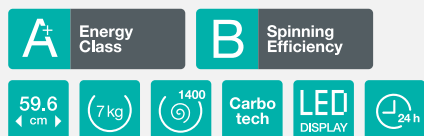


<b>Efficiency</b>	<ul style="list-style-type: none"> <li>- Max. temperature of inflow water: 60 °C</li> <li>- Asynchronous single phase motor</li> </ul>	<ul style="list-style-type: none"> <li>- Max. temperature of inflow water: 60 °C</li> <li>- Asynchronous single phase motor</li> </ul>
<b>Control</b>	<ul style="list-style-type: none"> <li>- On/Off indicator</li> <li>- Control: Button</li> </ul>	<ul style="list-style-type: none"> <li>- On/Off indicator</li> <li>- Control: Button</li> </ul>
<b>Programmes</b>	<ul style="list-style-type: none"> <li>- Washing temperature(s): 65, 60, 55, 45 °C</li> <li>- 5 programmes: Normal; Quick programme; Intensive programme; Quick intensive programme; Eco programme</li> <li>- Reference programme: 3</li> </ul>	<ul style="list-style-type: none"> <li>- Washing temperature(s): 60, 55, 45, 35 °C</li> <li>- 5 programmes: Automatic programme; Intensive programme; Eco programme; Rinsing; Quick programme 20</li> <li>- Reference programme: 3</li> <li>- Automatic programme</li> </ul>
<b>Features</b>	<ul style="list-style-type: none"> <li>- 12 place settings</li> <li>- Function 3 in 1</li> <li>- Voice signal for the end of washing cycle</li> </ul>	<ul style="list-style-type: none"> <li>- 10 place settings</li> <li>- SpeedWash function</li> <li>- Half load</li> <li>- ExtraDry</li> <li>- Function 3 in 1</li> <li>- Voice signal for the end of washing cycle</li> </ul>
<b>UseLogic technology</b>	<ul style="list-style-type: none"> <li>- Variable start delay up to 3/6/9 hours</li> </ul>	<ul style="list-style-type: none"> <li>- Start delay up to 24 hours</li> </ul>
<b>Equipment</b>	<ul style="list-style-type: none"> <li>- Number of baskets: 2</li> <li>- Upper basket system: Manual</li> <li>- Foldable bottom plate baskets</li> <li>- Number of water jet levels: 4</li> <li>- Number of spray arms: 2</li> <li>- Selfcleaning filter</li> </ul>	<ul style="list-style-type: none"> <li>- Number of baskets: 3</li> <li>- Upper basket system: Click-Clack system</li> <li>- Foldable bottom plate baskets</li> <li>- Number of water jet levels: 5</li> <li>- Number of spray arms: 3</li> <li>- Selfcleaning filter</li> <li>- Upper basket: Handle with plastic logotype</li> <li>- Lower basket: Handle with plastic logotype</li> <li>- Top tray: Handle with plastic logotype</li> </ul>
<b>Safety</b>	<ul style="list-style-type: none"> <li>- Total AquaStop</li> <li>- Service diagnostics</li> <li>- Stainless steel tub</li> </ul>	<ul style="list-style-type: none"> <li>- Total AquaStop</li> <li>- Service diagnostics</li> <li>- Stainless steel tub</li> </ul>
<b>Consumption data (IEC standard EN 50242)</b>	<ul style="list-style-type: none"> <li>- Water consumption: 11 l</li> <li>- Energy consumption - normal program: 0,91 kWh</li> <li>- Estimated annual water consumption: 3080 l</li> </ul>	<ul style="list-style-type: none"> <li>- Water consumption: 9 l</li> <li>- Energy consumption - normal program: 0,74 kWh</li> <li>- Estimated annual water consumption: 2520 l</li> </ul>
<b>Technical data</b>	<ul style="list-style-type: none"> <li>- Height setting: 50 mm</li> <li>- Level of noise (max.): 49 dB(A)re 1 pW</li> <li>- Product dimensions (HxWxD): 81.5 × 59.8 × 55 cm</li> <li>- Niche dimensions (HxWxD): 82 × 60 × 58 cm</li> <li>- EAN code: 3838782019791</li> <li>- Code: 588561</li> </ul>	<ul style="list-style-type: none"> <li>- Height setting: 50 mm</li> <li>- Level of noise (max.): 47 dB(A)re 1 pW</li> <li>- Product dimensions (HxWxD): 81.5 × 44.8 × 55 cm</li> <li>- Niche dimensions (HxWxD): 82 × 45 × 58 cm</li> <li>- EAN code: 3838782019784</li> <li>- Code: 588538</li> </ul>



### WI 73140 Integrated washing machine

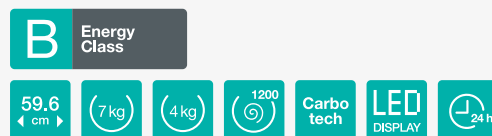
Essential Line



- Colour: White

### WDI 73120 HK Integrated washer-dryer

Essential Line



<b>Efficiency</b>	<ul style="list-style-type: none"> <li>- Standard collector motor</li> <li>- Spin speed: 1400 rpm</li> <li>- Washer load: 1-7 kg</li> </ul>	<ul style="list-style-type: none"> <li>- Spin speed: 1200 rpm</li> <li>- Energy-saving electric heater</li> <li>- Washer load: 1-7 kg</li> <li>- Dryer load: 1-4 kg</li> <li>- Loading position: Front</li> <li>- Door opening angle: 110 °</li> <li>- Water connection adapter: Cold</li> </ul>
<b>Control</b>	<ul style="list-style-type: none"> <li>- LED display</li> <li>- Pressetting time delay of start</li> <li>- Adjustable spin speed</li> <li>- Temperature setting</li> <li>- Cold wash: Knob</li> </ul>	<ul style="list-style-type: none"> <li>- LED display</li> <li>- Temperature setting</li> <li>- Start delay: 24h</li> <li>- Audio signal SoftSound</li> </ul>
<b>Programmes</b>	<ul style="list-style-type: none"> <li>- 15 programmes</li> <li>- Basic programmes: Cotton, Synthetics, Delicate and silk, Wool, QuickWash, HandWash</li> <li>- Special programmes: SportWash, Eco 20°C, QuickWash 15', Shirts, Intensive, Cotton 20°C</li> <li>- Easy ironing</li> </ul>	<ul style="list-style-type: none"> <li>- 15 programmes (13 washing and 2 drying programs)</li> <li>- Basic programmes: Cotton, Synthetics, Delicate and silk, Wool, HandWash</li> <li>- Special programmes: Easy ironing, Intensive</li> </ul>
<b>Features</b>	<ul style="list-style-type: none"> <li>- Selfcleaning filter</li> <li>- Audio signal SoftSound</li> <li>- Water connection adapter: Cold</li> <li>- Manual pull-out</li> </ul>	<ul style="list-style-type: none"> <li>- Pump STOP</li> <li>- Audio signal SoftSound</li> <li>- Prewash selection</li> <li>- Easy ironing</li> <li>- Skip spin</li> <li>- Temperature setting</li> <li>- Quick wash programme</li> <li>- Extra rinsing</li> <li>- Shower system</li> </ul>
<b>Safety and durability</b>	<ul style="list-style-type: none"> <li>- Child protection (CDP)</li> <li>- Carbotech tub</li> </ul>	<ul style="list-style-type: none"> <li>- Child protection (CDP)</li> <li>- Time-attendance door lock</li> <li>- Carbotech tub</li> </ul>
<b>Technical data</b>	<ul style="list-style-type: none"> <li>- Estimated yearly energy consumption: 218 kWh</li> <li>- Estimated yearly water consumption: 10340 l</li> <li>- Level of noise (max.): 72 dB(A)re 1 pW</li> <li>- Product dimensions (HxWxD): 82 × 59.6 × 56 cm</li> <li>- Niche dimensions (HxWxD): 82 × 60 × 58 cm</li> <li>- EAN code: 3838942730559</li> <li>- Code: 466340</li> </ul>	<ul style="list-style-type: none"> <li>- Estimated yearly energy consumption: 238 kWh</li> <li>- Estimated yearly water consumption: 9400 l</li> <li>- Level of noise washing (max.): 70 dB(A)re 1 pW</li> <li>- Noise level drying: 58 dB(A)re 1 pW</li> <li>- Product dimensions (HxWxD): 82 × 59.6 × 56 cm</li> <li>- Niche dimensions (HxWxD): 82 × 60 × 58 cm</li> <li>- EAN code: 3838942320651</li> <li>- Code: 457255</li> </ul>







# MAGICALLY SIMPLE. SIMPLY BEAUTIFUL.

Just as a magician produces an illusion by the sleight of his hand, so you can flambé with the greatest of ease. Everything is possible with the new collection of kitchen appliances created by the famous French designer Ora-ïto. They are simple, intuitive and integrate the best that technology has to offer. To top it all off they are visually stunning and convey a 'wow' effect – whether you choose the black or the white collection. Feel them. Touch them. Enjoy the timeless perfection of their design.



**HomeMade shape**  
Abracadabra, perfectly baked!

Inspired by traditional wood-burning ovens, the characteristic rounded shape of Gorenje by Ora-ito ovens enables hot air to move around freely. The food is heated evenly from all sides and always perfectly done: crispy on the outside and juicy on the inside.



**PyroClean**  
And the oven is effortlessly clean

Pyrolytic cleaning is the simplest and most efficient way to clean an oven. The high temperature of up to 500 °C reduces all impurities to ashes, which just need to be wiped away with a damp cloth after the oven cools off. The process is absolutely safe and leaves the oven completely clean, without a spot of grease.



**BigSpace**  
Impress with your creativity

Be the illusionist in your own home with the innovatively shaped Gorenje by Ora-ito ovens, which offer increased capacity while maintaining their outside dimensions. Now the optimised airflow circulates at an even greater volume, allowing you to prepare even larger quantities of food.



**MultiFlow 360°**  
You can do it all at once

You don't need magic powers to bake on five levels at the same time. Smartly positioned ventilation openings on the oven back wall together with the unique rounded shape guarantee optimal circulation of heat within the oven for simultaneous baking on many levels without smells or flavours mixing together.



## PureSteam

No water, just steam

Thanks to the special steam generator, a cloud of pure steam is distributed all over the oven, without any drops of water that could spoil the food, making it soggy. It is also excellent for defrosting since warm steam evenly surrounds the food without creating hot spots.



## MultiSteam 360°

Perfectly steamed every time

After the steam enters the oven cavity through multiple openings, a special fan distributes the steam evenly, giving the food a soft and tender feel. Just one water tank will do the trick!



## StayWarm

Keeps your cooking delicious

The magic performance took longer than expected? Don't worry, the StayWarm function will keep your food at a constant

temperature of 70°C and ensure it retains its original flavour until the time is right to serve the meal.



## WarmPlate

Add a touch of magic to your dishes

Warmed plates prevent the loss of flavour and ensure that food tastes every bit as good as it should: from soups to pastas and steamed vegetables. WarmPlate will keep your crockery at precisely the right temperature – anywhere between 30 °C and 80°C.



## Yoghurt

When you want a healthy choice

This automatic temperature and time setting will provide optimal conditions for you to conjure a healthy homemade yoghurt in just a couple of hours.



## PowerBoost

Make the most of your time

PowerBoost provides extreme heat intensity to the pot and significantly cuts waiting time. You will boil 2 litres of water in just under 6 minutes, giving you plenty of time to practice your magical performance.



## BridgeZone

A simple plan for super-sized pots

Magically turn two separate cooking zones into one with just a simple touch. Cooking in large pots and pans has never been easier or more efficient.



## BoilControl

Boiling over is now forgotten

This intelligent functions ensures the hob will supply enough power to rapidly reach the desired level, then regulates the heat output to hold the temperature at the set level. Your soup will never boil over again and you won't even have to say the magic words.



 **TouchControl**  
Everything is under your control

The microwave oven can be simply operated by touch and even locked to ensure little hands won't play with it. There are no knobs

or buttons, which gives the oven a sleek look and allows easy cleaning.



 **AutoMenu**  
The magic spell for simple cooking

A number of preset programs enables even simpler preparation of certain dishes. Just select the type of food and enter its weight, and the oven will automatically adjust the power and cooking time accordingly.



 **SmartDisplay**  
One glance reveals everything

With the display that spans over the entire height of the microwave oven you will be able to monitor the cooking progress and track the time until your meal is prepared.



## AdaptTech

So you can focus on the show

The hood detects the level of impurities and automatically adjusts the fan speed or even stops it completely when it is no longer

needed. And you can turn all your attention to your wonderful meal.



## P.A.S. System

Silent and efficient

The innovative parametric air suction system redirects air extraction from the central part to the outer edges of the hood. This approach optimises energy consumption, reduces noise and makes air extraction considerably more efficient.



## Timer and refresh

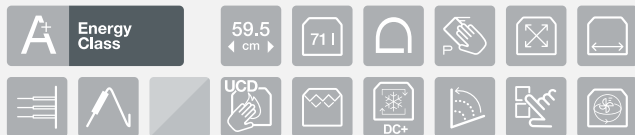
Always a fresh kitchen

The hood can be automatically switched off in 10, 20 or 30 minutes. The refresh function is activated every hour and automatically starts refreshing the air for five minutes.



## BOP 747 ORA W

Built-in pyrolytic single oven



- Colour: White
- Handle colour: Natural anodized brushed aluminium
- Control panel material: Glass
- GentleClose door hinge

### Efficiency

- Multifunctional oven BigSpace - 71 l
- SuperSize baking area
- HomeMADE® modelled on traditional wood-fired bread oven
- PerfectGrill

### Control

- Electronic control
- Knob shape: Sinkable knobs
- IconTouch

### Heating types



### Features

- Double lightning
- Baking on different levels at the same time
- MultiFlow 360°

### Equipment

- 1 Deep enameled baking pan // 2 Shallow enameled baking pans // 1 Wire shelf // 1 Meat Probe // Pyrolytic wire oven guides // Fully extendable telescopic guides - 3 levels

### Safety

- Thermoelectric fuse // Dynamic oven cooling plus - DC+ // Triple glazed oven door with double heat deflector (UltraCoolDoor)

### EasyCleaning

- Pyrolytic cleaning // SilverMatte // Smooth oven door surface

### Technical data

- Energy consumption: 0.69 kWh (venting), 0.94 kWh (conventional)
- Connection rating: 3400 W
- Product dimensions (HxWxD): 59.5 × 59.5 × 54.6 cm
- Niche dimensions (HxWxD): 59 × 56 × 55 cm
- EAN code: 3838782025297
- Code: 728032



## BO 658 ORA B

- Colour: Black
- EAN code: 3838782025020
- Code: 596273



## BO 658 ORA W

Built-in single oven



- Colour: White
- Handle colour: Natural anodized brushed aluminium
- Control panel material: Glass
- GentleClose door hinge

### Efficiency

- Multifunctional oven BigSpace - 65 l
- SuperSize baking area
- Surface of the largest baking pan: 1316 cm<sup>2</sup>
- HomeMADE® modelled on traditional wood-fired bread oven
- PerfectGrill

### Control

- Electronic control
- DirectTouch

### Heating types



### Features

- Illumination
- Baking on different levels at the same time

### Equipment

- 1 Deep enameled baking pan // 1 Shallow enameled baking pan // 1 Wire shelf // 1 Meat Probe // Partially extendable telescopic guides - 3 levels // Catalytic oven sides and backwall

### Safety

- Thermoelectric fuse // Dynamic oven cooling plus - DC+ // Triple glazed oven door with one heat deflector (CoolDoor)

### EasyCleaning

- EasyClean liners // AquaClean function // SilverMatte // Smooth oven door surface

### Technical data

- Energy consumption: 0.67 kWh (venting), 0.92 kWh (conventional)
- Connection rating: 3300 W
- Product dimensions (HxWxD): 59.5 × 59.7 × 54.7 cm
- Niche dimensions min-max (HxWxD): 58.3-60 × 56-56.8 × 55 cm
- EAN code: 3838782025068
- Code: 596722





## BCS 547 ORA W

Built-in compact steam oven



- Colour: White
- Handle colour: Natural anodized brushed aluminium
- Control panel material: Glass
- SoftOpen and GentleClose door hinge

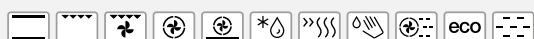
### Efficiency

- Combined steam oven - 50 l
- SuperSize baking area
- HomeMADE modelled on traditional wood-fired bread oven
- MultiSteam 360°

### Control

- Electronic control
- Knob shape: Sinkable knobs
- IconTouch

### Heating types



### Features

- PureSteam // Double lightning // Baking on different levels at the same time // MultiFlow 360°

### Equipment

- 1 Steam tray // 1 Shallow enameled baking pan // 1 Perforated steam tray // 1 Wire shelf // 1 Meat Probe // Fully extendable telescopic guides - 1 level // Water container: 1,3 l

### Safety

- Thermoelectric fuse // Dynamic oven cooling plus - DC+ // Triple glazed oven door with double heat deflector (UltraCoolDoor) // Mechanic door safety bolt

### EasyCleaning

- AquaClean function // Descaling // SilverMatte // Smooth oven door surface

### Technical data

- Energy consumption: 0.62 kWh (venting), 0.82 kWh (conventional)
- Connection rating: 2600 W
- Product dimensions (HxWxD): 45.5 × 59.5 × 54.6 cm
- Niche dimensions (HxWxD): 45 × 56 × 55 cm
- EAN code: 3838782025549
- Code: 728025



## WD 1410 WG

Warming drawer



- Colour: White

### Efficiency

- Number of servings: Set for 6 persons or 20 dishes in diameter 28 cm or 80 coffee cups or 40 tea cups

### Functions / Operating

- Warming of plates
- Warming of cups
- Heat preservation
- Defrosting of food
- Yoghurt
- Manual setting of temperature and timer

### Features

- Air vented circulation
- Time setting: Stop
- Touch control
- Variable temperature
- Cold front
- Drawer bottom: Glass

### Technical data

- Usable volume: 19,8 l
- Temperature range: 40 – 80 °C
- Timer range: 60 – 240 min
- Connection rating: 410 W
- Product dimensions (HxWxD): 14 × 59.5 × 56 cm
- Niche dimensions min-max (HxWxD): 14 × 56-56.8 × 55 cm
- EAN code: 3838782016813
- Code: 466190

**BM 235 ORA B**

- Colour: Black
- EAN code: 3838782028021
- Code: 728172

**IT 635 ORA B**

- Colour: Black
- EAN code: 3838782025440
- Code: 728017

**BM 235 ORA W**

Built-in microwave oven with grill



- Colour: White
- Front panel material: Glass
- Door material: Glass
- Stainless steel oven interior
- Door opening: Left door opening
- Door open type: Handle
- Double glazed oven door

**Efficiency**

- Oven volume: 23 l
- SuperSize baking area
- Microwave power: 900 W
- Power of upper infra heater: 1200 W

**Control**

- Electronic control
- Input type: TouchControl
- LED display
- LogicalChoice

**Heating types**

- Combined heating: Microwaves + grill

**Features**

- AUTO menu // Preinstalled programmes: 6 // Defrost function by weight // Function Smart display

**Safety**

- ChildLock
- Door safety bolt

**Equipment**

- Rotating glass plate
- Rotating grid

**Technical data**

- Connection rating: 1400 W
- Product dimensions (HxWxD): 39 × 59.2 × 36.8 cm
- Niche dimensions (HxWxD): 36.5 × 56.6 × 55 cm
- EAN code: 3838782028014
- Code: 728171

**IT 635 ORA W**

Induction hob



- Colour: White
- Soft cut hob edges

**Control**

- Touch control
- Timer function

**Features**

- PowerBoost function
- AllBoost
- BridgeZone
- Silent operation SuperSilent

**Cooking surface**

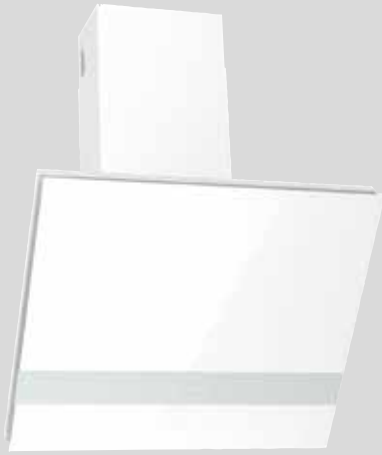
- 4 induction heating zones:
  - Left front: Ø 18.5 cm, 1.4/2 kW
  - Right front: Ø 16.5 cm, 1.2/1.4 kW
  - Left behind: Ø 18.5 cm, 1.2/1.4 kW
  - Right behind: Ø 20.5 cm, 2/2.3 kW

**Safety and durability**

- Residual heat indicator
- ChildLock

**Technical data**

- Connection rating: 7100 W
- Product dimensions (HxWxD): 6.4 × 59.5 × 52 cm
- Niche dimensions min-max (HxWxD): 7.7 × 55.8-56 × 49 cm
- EAN code: 3838782025426
- Code: 728015



## WHI 643 ORA W

### Wall mounted cooker hood



- Venting with air extraction or recirculation
- Material of housing/chimney: Varnished steel and glass / Varnished steel
- Colour of housing/chimney: White painted and white glass / White

#### Efficiency

- Maximum extraction rate by extraction operation: 570 m<sup>3</sup>/h
- Venting tube diameter: 15 cm

#### The capacity of ventilator

- Air flow by extraction version, step 1: 342 m<sup>3</sup>/h
- Air flow by extraction version, step 3: 570 m<sup>3</sup>/h
- Airflow boost position (PowerBoost 2) - extraction: 740 m<sup>3</sup>/h
- Number of PowerBoost functions: 2

#### Control

- AdaptTech: Automatic fan operation
- Electronic control
- Control setting: Touch control
- Timer function
- Number of speed positions: 3

#### Features

- Constant ventilation ReFresh
- Lamp type: LED
- Dimmer function
- Number of lights: 2
- Power of lights: 8 W
- Perimetric suction

#### Equipment

- Filter material: Washable aluminium with polyurethane foam // Grease filter indicator // Number of motors: 1 // Motor type: Capacitor motor // No return airflow flap: 150 mm

#### Technical data

- Noise level (max.): 59 dB(A)re 1 pW
- Product dimensions (WxD): 60 × 47 cm
- Height: 425 mm
- Min. height of the chimney: 420 mm
- Max. height of the chimney: 620 mm
- Annual energy consumption: 60.6 kWh
- EAN code: 3838782027420
- Code: 728152





## COOKING WITH PASSION

Kitchen, a sacred place of love and passion for life, is a place where we create the delicious and genuine tastes of our lives. Throughout the history of mankind, kitchen has been the place where all important things happened. Ambrosial aromas of spices invite you to relive the culinary stories of the past and to create your own. Good cuisine is the recipe for a sweet and passionate life. This is embodied by the kitchen appliances of the Gorenje Classico collection available in ivory and matte black.

Ovens of the Gorenje Classico collection are graced with a rich and dynamic design with a classical touch. Soft lines extend seamlessly from the door to the oven interior, and the relief and form of the door is reminiscent of the traditional arched ovens. The perfect appearance of the oven is rounded off by

the characteristic knobs, the relief handle with aged gold finish, and the classically designed electronic programmable timer. The oven boasts the advanced HomeMade baking technology and high energy efficiency.



## HomeMade technology for top-notch baking results

Innovative oven interior design with smart PerfectGrill heater placement mimics the traditional wood-fired ovens. Effective circulation of hot air leads to even heat distribution and superior

baking results. Fully extendible telescopic guides make placing the baking sheets in the oven much simpler and allow excellent overview of the baking process.



## Always cool oven door

Oven door is double glazed with reflective glass panes. Therefore, the outer side of the door is always cool. The safe and energy-efficient door allows the oven to reach the A energy class. Interior side of the oven door has no notches or edges to allow simple cleaning.

## Electronic programmable timer with analogue display

Classic analogue design of the electronic programmable timer is one of the decorative highlights of the line. It features a clock and a minute minder, and it also allows programming delayed start time and cooking end time. The clock indicates the end of the cooking process by an acoustic signal. The classical clock design with clock hands and lining in old gold colour complements the overall oven design.

## Super power all over and at the same time

Classico induction hobs have the option to activate the PowerBoost on all cooking zones. This gives significantly higher output power and of course great time savings!



## BoilControl

Automatically adjusts the operating power. After initially operating at maximum power, the cooking zone maintains the desired temperature to prevent boiling over or overcooking.



## Modern hi-light technology with a touch of classics

In addition to three hi-light heaters, the glass ceramic hob also features a heater with a double circular surface that can adapt to pots and pans of varying sizes. An indicator light for each cooking zone will remain lit until the zone surface is hot. Smooth hob surface is easy to clean and the edges are raised to prevent spilling.

## Retro knobs for comfortable control

Standing by behind the aged gold finish of the characteristic classic knobs reminiscent of their old ceramic predecessors is modern technology that allows the ultimate comfort in control. The knobs are ergonomically designed for a pleasant grip.



## Diamond layout

Special diamond-shaped heater layout allows better overview of the cooking process. It offers more space for large pots and pans or a wok on the two larger and more powerful heaters

placed on the left and right, respectively. The form of the cast iron grid follows the functional heater layout and aesthetically rounds off the hob appearance.



### Cast iron grid

Cast iron grid will improve the stability and enhance the appearance of the gas hob. The grid material makes it particularly durable and resistant to even the highest temperatures.

### Single-handed gas burner ignition

Single-handed gas burner ignition is another feature that leads to extra comfort and easy control. To activate the gas burner, just press the knob and rotate it to desired level with a single hand while your other hand is free. Fast and simple!



### Wok gas burner

Professional gas burner with a three-ring flame heats the pan with extra power to improve energy efficiency and allow preparing your food in just minutes. An optional dedicated cast iron wok support will further improve safety, comfort, and efficiency in cooking.





The minimalist appearance of Gorenje Classico collection's kitchen hood sophisticatedly rounds off the entire kitchen ambient. Soft lines and details with gold finish make sure the hood blends harmoniously with the design of other appliances of the collection. The hood excels with efficient and silent

operation. Modern trend of merging the kitchen with the living room also calls for new standards regarding hood performance. With a capacity of at least 540 m<sup>3</sup>/h, Gorenje Classico hood provides optimum power to eliminate odours, moisture, and grease particles in spaces spanning up to 55 m<sup>2</sup>.



### Halogen lighting

In addition to the core function of air evacuation, kitchen hoods are also an additional source of light over the cooking hob. Halogen lighting is more powerful and more energy-efficient than conventional.



### Dishwasher-safe grease filters for simple cleaning

Metal grease filters in Gorenje hoods are easy to remove and to clean. They can be washed manually or in a dishwasher using a delicate programme.



### Knobs and handle with gold finish

Hood design in delicate ivory or matte black is complemented by distinctive handle in the old gold colour. The knobs allow traditional control of the hood and its functions. Decorative handle that matches the design of the entire collection perfectly complements the appearance of the hood and accentuates its classical character.



## BO 73 CLI UK

### Built-in single oven



- Colour: Ivory
- Handle colour: Colour of gold
- Control panel material: Varnished metal
- Classic door hinge

#### Efficiency

- Multifunctional oven BigSpace - 65 l
- SuperSize baking area
- Surface of the largest baking pan: 1316 cm<sup>2</sup>
- HomeMADE® modelled on traditional wood-fired bread oven

#### Control

- Mechanic temperature control
- Electronic programmable timer with analogue display

#### Heating types



#### Features

- Illumination
- Baking on different levels at the same time

#### Equipment

- 1 deep enameled baking pan
- 1 shallow enameled baking pan
- 1 Wire shelf
- Partially extendable telescopic guides - 2 levels

#### Safety

- Thermoelectric fuse
- Dynamic oven cooling - DC
- Triple glazed oven door with one heat deflector (CoolDoor)

#### EasyCleaning

- AquaClean // SilverMatte // Smooth oven door surface

#### Technical data

- Energy consumption: 0.85 kWh (venting),  
0.92 kWh (conventional)
- Connected rating: 3300 W
- Product dimensions (HxWxD): 59.5 × 59.7 × 54.7 cm
- Niche dimensions min-max (HxWxD): 58.3-60 × 56-56.8 × 55 cm
- EAN code: 3838942053122
- Code: 498588



**IC 634 CLB**  
 • Colour: Black  
 • EAN code:  
 3838942010224  
 • Code: 470722



## IC 634 CLI

### Induction hob



- Colour: Ivory
- Soft cut hob edges

#### Control

- Knob shape: Ergonomic knobs

#### Features

- BoilControl, prevents boil-overs
- PowerBoost function
- AllBoost
- Silent operation SuperSilent

#### Cooking surface

- 4 induction heating zones
- Left front: Ø 18.5 cm, 1.4/2 kW
- Right front: Ø 16.5 cm, 1.2/1.4 kW
- Left behind: Ø 16.5 cm, 1.2/1.4 kW
- Right behind: Ø 20.5 cm, 2/2.3 kW

#### Safety and durability

- Residual heat indicator
- ChildLock

#### Technical data

- Connection rating: 7100 W
- Product dimensions (HxWxD): 8.5 × 60 × 51 cm
- Niche dimensions min-max (HxWxD): 7.7 × 55.8-56 × 49 cm
- EAN code: 3838942010293
- Code: 470724

**EC 642 CLB**

- Colour: Black
- EAN code: 3838782120985
- Code: 730795

**GW 65 CLB**

- Colour: Black
- EAN code: 3838942932380
- Code: 427993



## EC 642 CLI

### Ceramic hob



- Colour: Ivory
- Varnished hob frame

**Control**

- Knob shape: Ergonomic knobs

**Cooking surface**

- 4 Ceramic heating zones
- Left front: Ø two ring 12/21 cm, 0.8/2.2 kW,
- Right front: Ø 14.5 cm, 1.2 kW,
- Left behind: Ø 14.5 cm, 1.2 kW,
- Right behind: Ø 18 cm, 1.8 kW

**Safety and durability**

- Residual heat indicator

**Technical data**

- Connection rating: 6500 W
- Product dimensions (HxWxD): 9 × 60 × 52 cm
- Niche dimensions (HxWxD): 7 × 56 × 49 cm
- EAN code: 3838782120947
- Code: 730791

## GW 65 CLI

### Gas hob



- Colour: Ivory

**Control**

- Knob shape: Ergonomic knobs

**Features**

- Wok triple burner
- High efficiency burners

**Cooking surface**

- One-hand ignition device for hob
- 1 auxiliary burner + 1 rapid burner + 1 standard burner + 1 wok triple burner
- Middle front: Ø 6.7 cm, 1.75 kW
- Middle behind: Ø 4.3 cm, 1 kW
- Middle left: Ø 9.7 cm, 3 kW
- Middle right: Ø 13.44 cm, 3.8 kW
- Type of pan support: Cast iron grid

**Safety and durability**

- Safety function
- Gas control

**Technical data**

- Product dimensions (HxWxD): 10.3 × 60 × 51 cm
- Niche dimensions (HxWxD): 7.9 × 56 × 48 cm
- EAN code: 3838942932373
- Code: 427990



**EC62CLB**  
 • Colour: BlackMatte  
 • EAN code:  
 3838782071096  
 • Code: 729470

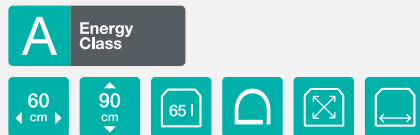


**DK 63 CLB**  
 • Colour of housing/  
 chimney: Matte black /  
 Matte black  
 • EAN code:  
 3838942008603  
 • Code: 473446



## EC 62 CLI

### Electric cooker



- Colour: Ivory
- Control panel material: Varnished metal
- Door material: Glass and varnished metal

#### Efficiency

- Multisystem oven BigSpace - 65 l
- SuperSize baking area
- Surface of the largest baking pan: 1316 cm<sup>2</sup>
- HomeMADE® modelled on traditional wood-fired bread oven

#### Control

- Knob shape: Ergonomic knobs
- Electronic programmable timer with analogue display

#### Glass ceramic hob

- 2 Ceramic cooking zones + 2 double Ceramic cooking zones
- Left front: Ø two ring 21/12 cm, 2.2 kW,
- Right front: Ø 18 cm, 1.8 kW,
- Left behind: Ø 14.5 cm, 1.2 kW,
- Right behind: Ø two ring 18/12 cm, 1.7 kW

#### Heating types



#### Features

- Illumination // Baking on different levels at the same time // MultiAir

#### Equipment

- 1 Shallow enameled baking pan // 1 Deep enameled baking pan
- 1 Wire shelf // Wire oven guides

#### Safety

- Residual heat indicator // Thermoelectric fuse
- Double glazed oven door with one heat deflector (CompactDoor)

#### EasyCleaning

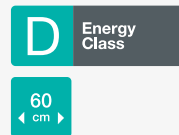
- AquaClean function // SilverMatte // Removable flat oven inner door glass surface

#### Technical data

- Connection rating: 10200 W
- Energy consumption: 0.87 kWh (venting), 0.92 kWh (conventional)
- Product dimensions (HxWxD): 90 × 60 × 60 cm
- EAN code: 3838782071102
- Product code: 729471

## DK 63 CLI

### Wall mounted cooker hood



- Venting with air extraction or recirculation
- Material of housing/chimney: Varnished steel / Varnished steel
- Colour of housing/chimney: Ivory / Ivory

#### Efficiency

- Maximum extraction rate by extraction operation: 545 m<sup>3</sup>/h
- Maximum extraction rate by recirculation operation: 378 m<sup>3</sup>/h
- Venting tube diameter: 15 cm

#### The capacity of ventilator

- Air flow by extraction version, step 1: 355 m<sup>3</sup>/h
- Air flow by extraction version, step 3: 545 m<sup>3</sup>/h

#### Control

- Mechanic control
- Control setting: Button control
- Number of speed positions: 3

#### Features

- Lamp type: Halogen
- On/off light switch
- Number of lights: 2
- Power of lights: 40 W

#### Equipment

- Filter material: Aluminium
- Washable grease filter
- Number of motors: 1
- No return airflow flap: 150 mm

#### Technical data

- Max. noise level: 64 dB(A)re 1 pW
- Product dimensions (WxD): 60 × 50 cm
- Height: 280 mm
- Min. height of the chimney: 530 mm
- Max. height of the chimney: 860 mm
- Annual energy consumption: 119.5 kWh
- EAN code: 3838942008610
- Code: 473447

**DK 63 MCLB**

- Colour of housing/ chimney: Matte black / Matte black
- EAN code: 3838942007989
- Code: 473192

**DK 63 MCLI**

## Wall mounted cooker hood



- Venting with air extraction or recirculation
- Material of housing/chimney: Varnished steel / Varnished steel
- Colour of housing/chimney: Ivory / Ivory

**Efficiency**

- Maximum extraction rate by extraction operation: 621 m<sup>3</sup>/h
- Maximum extraction rate by recirculation operation: 545 m<sup>3</sup>/h
- Venting tube diameter: 15 cm

**The capacity of ventilator**

- Air flow by extraction version, step 1: 218 m<sup>3</sup>/h
- Air flow by extraction version, step 3: 469 m<sup>3</sup>/h
- Air flow by extraction version, step 4: 621 m<sup>3</sup>/h

**Control**

- Mechanic control
- Control setting: Button control
- Number of speed positions: 4

**Features**

- Lamp type: Halogen
- On/off light switch
- Number of lights: 2
- Power of lights: 40 W
- Perimetric suction

**Equipment**

- Filter material: Aluminium
- Washable grease filter
- Number of motors: 1
- No return airflow flap: 150 mm

**Technical data**

- Max. noise level: 65 dB(A)re 1 pW
- Product dimensions (WxD): 60 × 50 cm
- Height: 310 mm
- Min. height of the chimney: 590 mm
- Max. height of the chimney: 830 mm
- Annual energy consumption: 146.3 kWh
- EAN code: 3838942007996
- Code: 473193





## WHITE. BLACK. IT'S SO ME!

Gorenje Simplicity appliance collection is designed with contemporary trends and people in mind. The line prides on logical programme selection, adaptive technology that allows adjustment to user's personal choices, excellent and uniform design, and great value of the appliance at the time of purchase and throughout its useful life.

# Simplicity

## Life

My life philosophy is simple. I appreciate what suits my habits and my possibilities. I design and arrange my life space in my own way. I choose the collection of appliances that respect my lifestyle. I find it easy to integrate the excellently designed

appliances of the Gorenje Simplicity collection in black or white into my home. They join me in living my way. Because they adapt to me, not the other way around. Simplicity!

**Beautiful. Simple. Affordable.**



simplicity  
COLLECTION

## Logical choice

In appliances of the Gorenje Simplicity collection, the most frequently used and the most convenient settings are immediately available – via a single knob.

## Solid design

Pure lines, genuine materials and ergonomics allow integrating the appliances into any home.





Glass. Metal. Harmony. Presence. Eye candy.  
THE WAY IT'S DESIGNED – IT'S SO ME!

## Adapt tech

Advanced appliances memorize our personal choices and suggest them next time we use them. All that's left is to press the button to confirm.

## Perfect value

As they are well-priced, these appliances offer immediate savings. In addition, advanced technology makes sure you only pay for what you truly need, which leads to extra savings in the long run.



## AdaptTech baking

No need to repeat your own settings

The oven will memorize your temperature setting for each preset programme and suggest the most recent or the most frequently used setting the next time you use it.



## Electronic programming timer

Easy and clear touch control

The timer allows you to set the cooking time and to select the right temperature. This and the heating system currently in use can be monitored on a clearly laid out screen. Timer surface is completely smooth and easy to clean.



## GentleClose

Oven door closing system

Extra comfort when closing the oven door. The door will close gently and silently, regardless of the force applied.



## Preservation programme

A reliable way to make your preserves

A special preset programme will make sure your preserves keep throughout the season and well after that.



## Gas cooker with SimpleOff programme timer

Safe, simple, clear, and controlled cooking

Ergonomically designed knob with built-in electronic timer allows setting the cooking time (up to 99 minutes). When the set time expires, the gas burner will be automatically switched off, which will also be indicated by an acoustic signal.



## Simple control with SmartControl

Clarity and control in cooking

Cooking time can be set separately for each cooking zone. When the set time expires, the timer will automatically switch off the cooking zone and notify you with an acoustic signal.



## Powerful induction hob

Fast and efficient cooking and simple cleaning

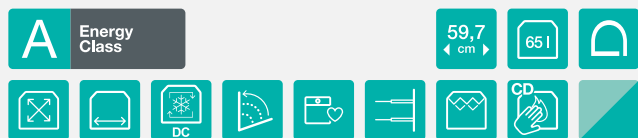
Induction hobs operate remarkably fast and efficiently to prepare excellent and wholesome food. PowerBoost function for rapid and powerful operation allows even faster and more efficient cooking which leads to savings of both time and power.

**BO 75 SY2W**

- Colour: White
- EAN code: 3838942052866
- Code: 498593

**BO 75 SY2B**

## Built-in single oven



- Colour: Black
- Handle colour: Imitation of stainless steel
- Control panel material: Glass
- GentleClose door hinge

**Efficiency**

- Multifunctional oven BigSpace - 65 l
- SuperSize baking area
- Surface of the largest baking pan: 1316 cm<sup>2</sup>
- HomeMADE® modelled on traditional wood-fired bread oven

**Control**

- Electronic control
- AdaptTech baking: Memorizing intelligent system

**Heating types****Features**

- Illumination
- FastPreheat
- Baking on different levels at the same time

**Equipment**

- 1 Deep enameled baking pan
- 1 Shallow enameled baking pan
- 1 Wire shelf
- Partially extendable telescopic guides - 2 levels

**Safety**

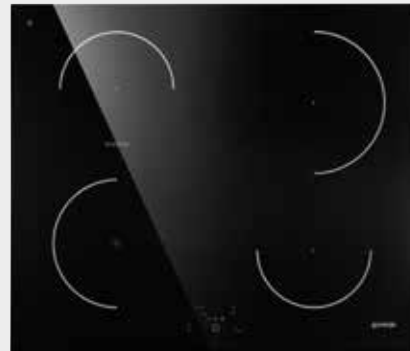
- Thermoelectric fuse // Dynamic oven cooling - DC // Triple glazed oven door with one heat deflector (CoolDoor) // Mechanic door safety bolt

**EasyCleaning**

- AquaClean // SilverMatte // Smooth oven door surface

**Technical data**

- Energy consumption: 0.85 kWh (venting), 0.92 kWh (conventional)
- Connected rating: 3300 W
- Dimensions (HxWxD): 59.5 × 59.7 × 54.7 cm
- Niche dimensions min-max (HxWxD): 58.3-60 × 56-56.8 × 55 cm
- EAN code: 3838942052880
- Code: 498592

**IT 612 SY2W**

- Colour: White
- EAN code: 3838942949685
- Code: 423499

**IT 612 SY2B**

## Induction hob



- Colour: Black
- Soft cut hob edges

**Control**

- Touch control
- Timer function
- SmartControl

**Features**

- PowerBoost function
- AllBoost
- Silent operation SuperSilent

**Cooking surface**

- 4 induction heating zones
- Left front: Ø 18.5 cm, 1.4/2 kW
- Right front: Ø 16.5 cm, 1.2/1.4 kW
- Left behind: Ø 16.5 cm, 1.2/1.4 kW
- Right behind: Ø 20.5 cm, 2/2.3 kW

**Safety and durability**

- Residual heat indicator
- ChildLock

**Technical data**

- Connection rating: 7100 W
- Dimensions (HxWxD): 6.1 × 60 × 51 cm
- Niche dimensions min-max (HxWxD): 7.7 × 55.8-56 × 49 cm
- EAN code: 3838942949692
- Code: 423498



**ECT 644 SY2W**  
 • Colour: White  
 • EAN code:  
 3838782103919  
 • Code: 730358



**GKTG 6 SY2W**  
 • Colour: White  
 • EAN code:  
 3838942928598  
 • Code: 426144



## ECT 644 SY2B

Ceramic hob



- Colour: Black
- Soft cut hob edges

### Control

- Touch control
- Timer function
- SmartControl

### Features

- BoilControl, prevents boil-overs
- StopGo function
- StayWarm function

### Cooking surface

- 2 ceramic heating zones + 2 double ceramic heating zones
- Left front: Ø two ring 12/21 cm, 0.8/2.2 kW,
- Right front: Ø 14.5 cm, 1.2 kW,
- Left behind: Ø 14.5 cm, 1.2 kW,
- Right behind: Ø two ring 12/18 cm, 0.7/1.7 kW

### Safety and durability

- Residual heat indicator
- Safety control hob lock
- ChildLock

### Technical data

- Connection rating: 6300 W
- Dimensions (HxWxD): 5.4 × 60 × 52 cm
- Niche dimensions min-max (HxWxD): 7 × 56 × 49 cm
- EAN code: 3838782103902
- Code: 730357

## GKTG 6 SY2B

Gas on tempered glass



- Colour: Black

### Control

- SimpleOff program timer
- Timer function

### Features

- Wok triple burner
- High efficiency burners

### Cooking surface

- One-hand ignition device for hob
- 2 standard burners + 1 auxiliary burner + 1 triple burner
- Left front: Ø 10.3 cm, 3.3 kW
- Right front: Ø 4.3 cm, 1 kW
- Left behind: Ø 6.7 cm, 1.75 kW
- Right behind: Ø 6.7 cm, 1.75 kW
- Type of pan support: Cast iron grid

### Technical data

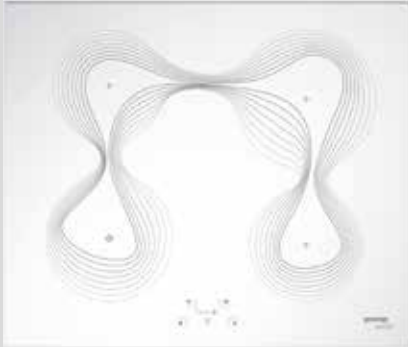
- Dimensions (HxWxD): 11.2 × 58.5 × 51 cm
- Niche dimensions (HxWxD): 7.3 × 56 × 48 cm
- EAN code: 3838942928581
- Code: 426143

# A creator of universally loved shapes



Karim Rashid objects are critically acclaimed as sensual and pure. His designs are famous for their natural soft lines and attention to detail. His work is globally recognised, as it speaks a universal language of beauty. He is a member of the global design elite, and as an award-winning designer he is the creative force behind countless global design objects and icons. His touch and style are present in brands like Alessi, Audi, Estée Lauder, Issey Miyake, Prada, and Sony.





## IT 65 KR

### Induction hob



- Colour: White
- Hob frame edges: Aluminium side edges

#### Control

- Type of control: Touch control
- Timer function

#### Features

- PowerBoost function
- AllBoost
- PowerControl
- Silent operation SuperSilent
- EasyClean

#### Cooking surface

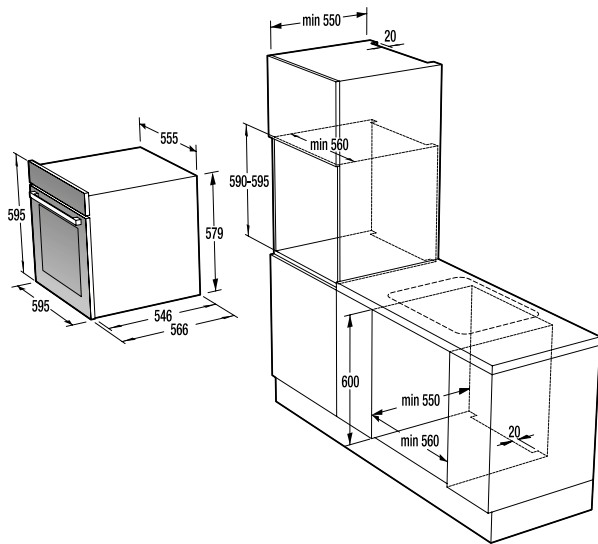
- 4 induction heating zones
- Left front: Ø 18.5 cm, 1.4/2 kW,
- Right front: Ø 16.5 cm, 1.2/1.4 kW,
- Left behind: Ø 16.5 cm, 1.2/1.4 kW,
- Right behind: Ø 20.5 cm, 2/2.3 kW

#### Safety and durability

- Residual heat indicator
- ChildLock

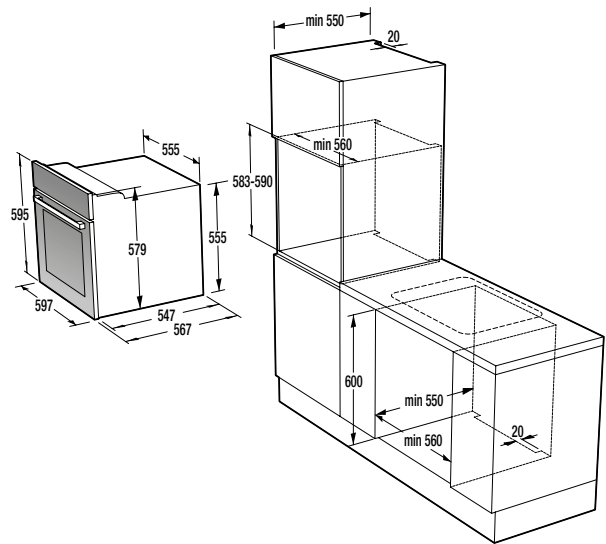
#### Technical data

- Connection rating: 7100 W
- Dimensions (HxWxD): 6.1 × 60 × 51.4 cm
- Niche dimensions min-max (HxWxD): 7.7 × 55.8-56 × 49 cm
- EAN code: 3838942813566
- Code: 393112



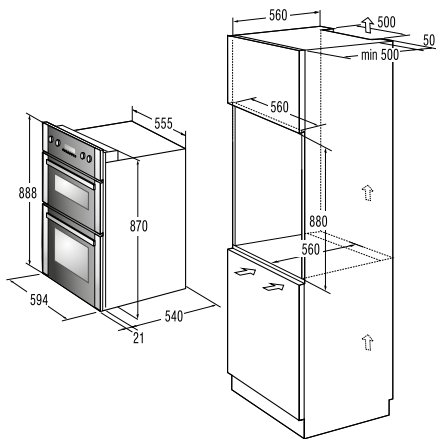
**BO... // BOP... - Superior Line**

See pages 14-15



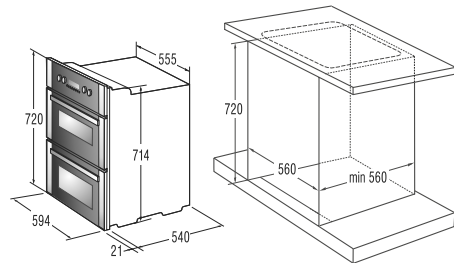
**BO... // BOP... - Advanced Line, Essential Line, Ora Ito, Classico, Simplicity**

See pages 17-19, 96, 106, 116



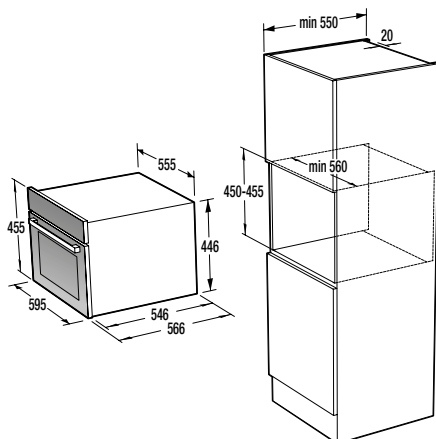
**BD ...**

See pages 20-21



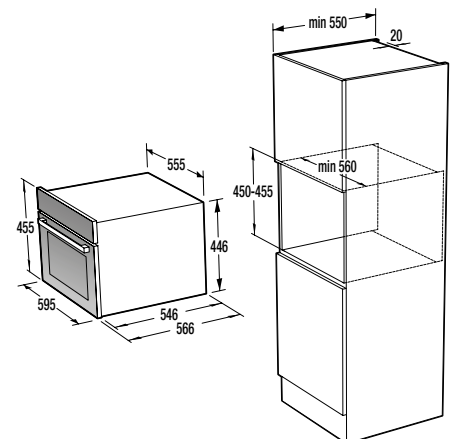
**BDU ...**

See pages 20-21



**BO 547 S10X / BCS 599 S22X / BCS 547 ORAW**

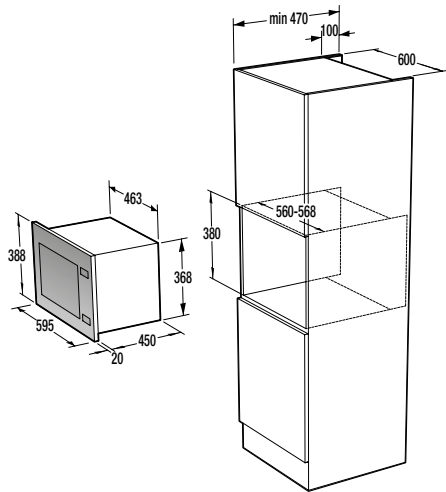
See pages 16, 97



**BCM 547 S12X**

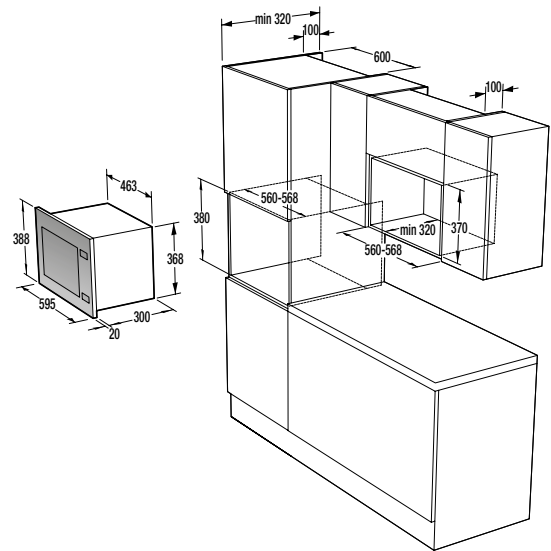
See page 25



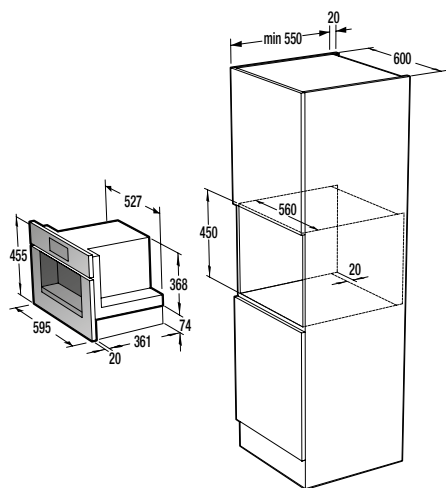


**BM 251 S7XG**

See page 25

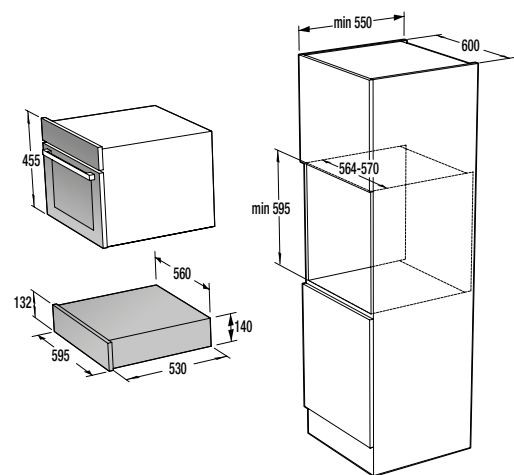


**BM 171 E2XG / BM 171 E2X / BM 171 A4XG** See pages 26-27



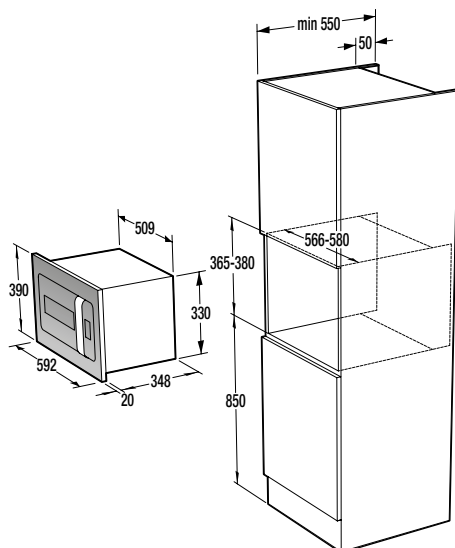
**CMA 9200 UX**

See page 31



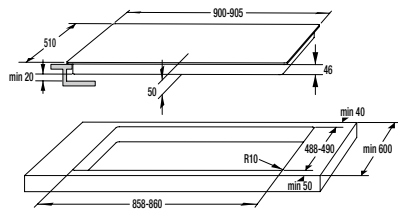
**WD 1410 X / WD 1410 WG**

See pages 31, 97



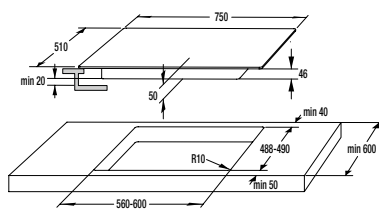
**BM 235 ORAW**

See page 98



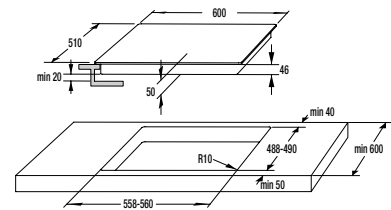
**IT 984 USC**

See page 40



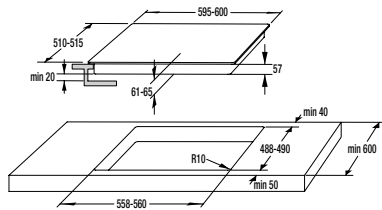
**IS 777 USC**

See page 40



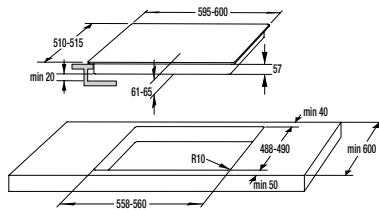
**IT 677 USC**

See page 41



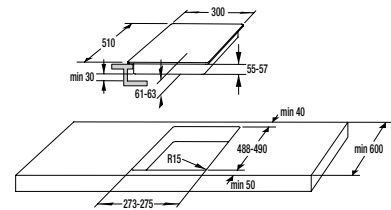
**IQ 634 USC**

See page 41



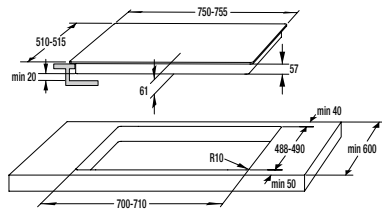
**IT 635 SC**

See page 42



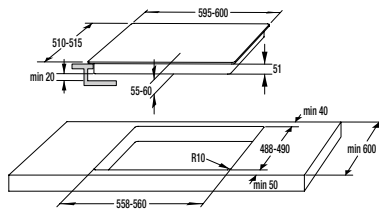
**IT 332 CSC**

See page 42



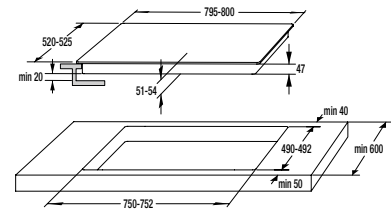
**IT 734 CSC**

See page 43



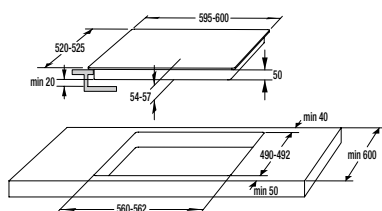
**IT 614 CSC**

See page 43



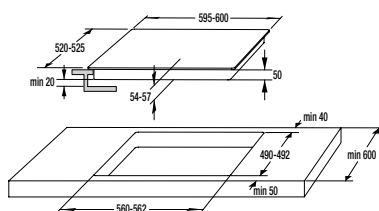
**ECS 846 BCSC**

See page 44



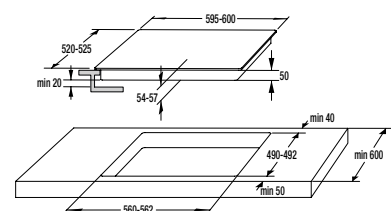
**ECS 646 BCSC**

See page 44



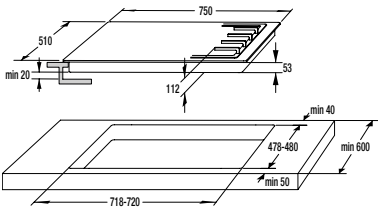
**ECT 648 BCSC**

See page 45



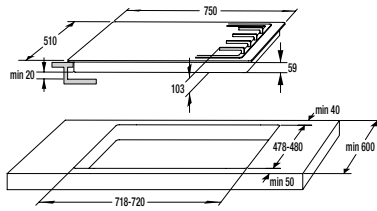
**ECT 641 BSC**

See page 45



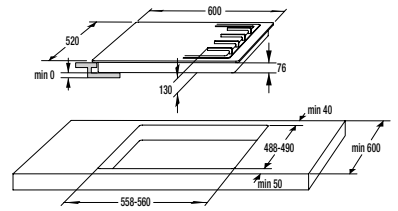
**GTW 761 UB**

See page 46



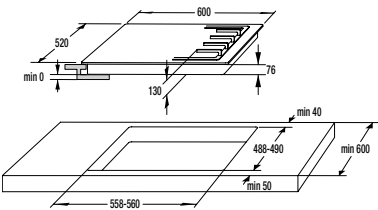
**GW 761 UX**

See page 46



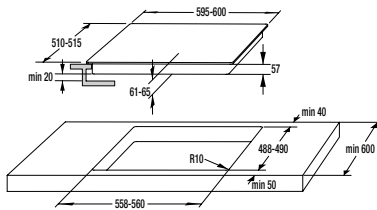
**GW 641 XUK**

See page 47



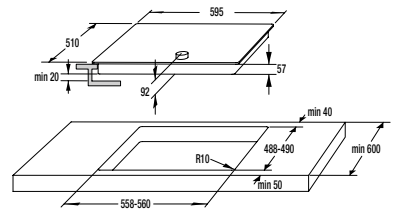
**G 641 XUK**

See page 47



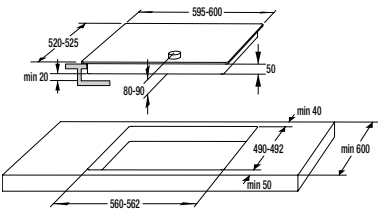
**IT 635 ORAW / B**

See page 98



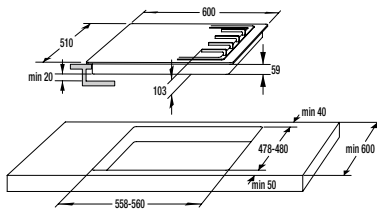
**IC 634 CLI / B**

See page 106



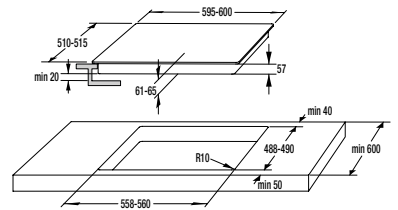
**EC 642 CLI / B**

See page 107



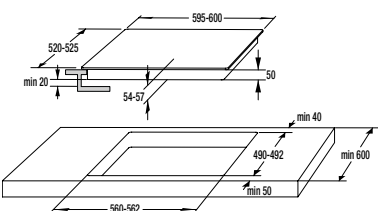
**GW 65 CLI / B**

See page 107



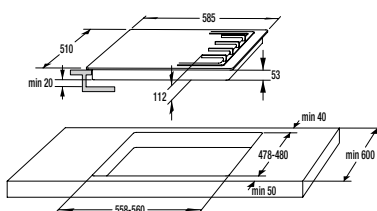
**IT 612 SY2B / W**

See page 116



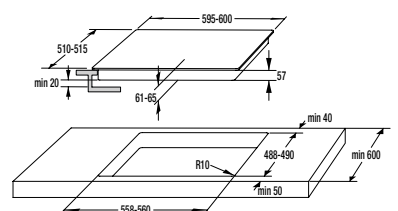
**ECT 644 SY2B / W**

See page 117



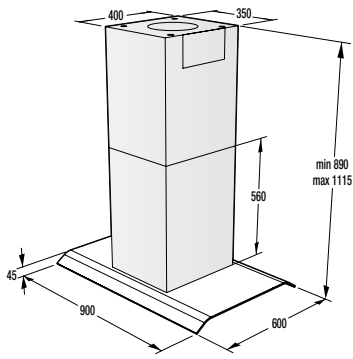
**GKTG 6 SY2B / W**

See page 117

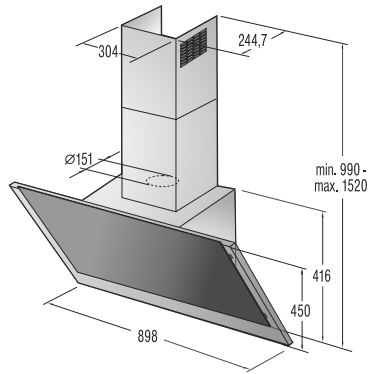


**IT 65 KR**

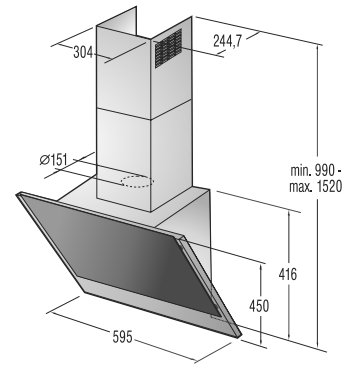
See page 119



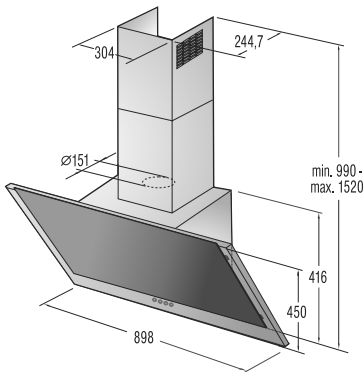
**IHGC 963 A1XUK** See page 55



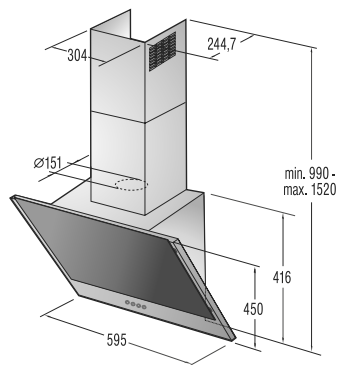
**WHI 951 S1XGBUK** See page 56



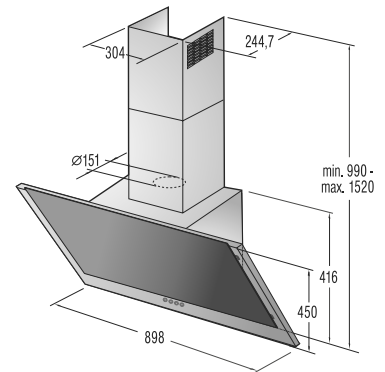
**WHI 651 S1XGBUK** See page 56



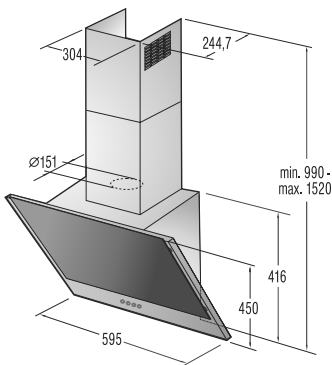
**WHI 921 E3BUK** See page 57



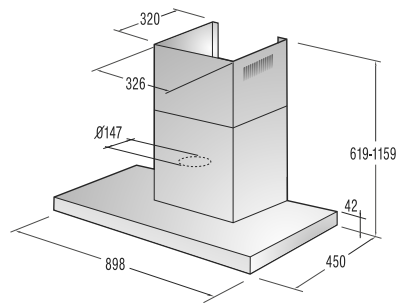
**WHI 621 E3BUK** See page 57



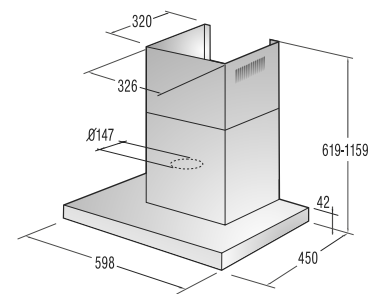
**WHI 921 E1XGBUK** See page 58



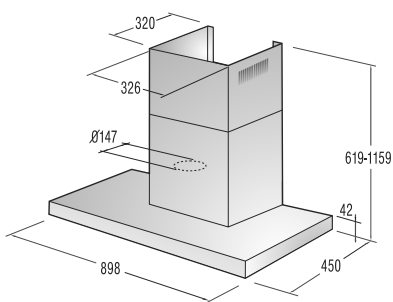
**WHI 621 E1XGBUK** See page 58



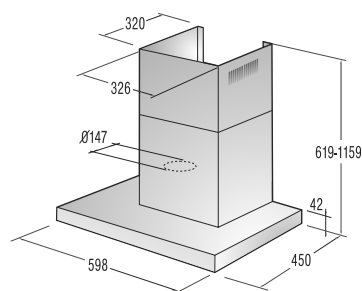
**WHT 921 E3XBGUK** See page 59



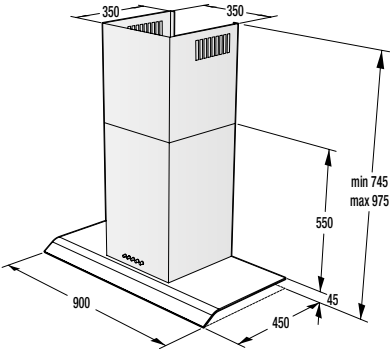
**WHT 621 E3XBGUK** See page 59



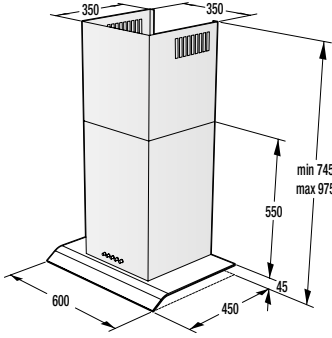
**WHT 921 E5XUK** See page 60



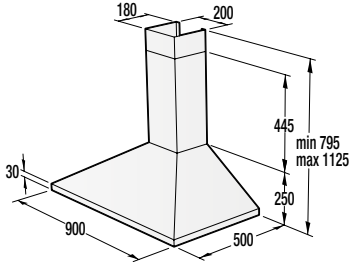
**WHT 621 E5XUK** See page 60



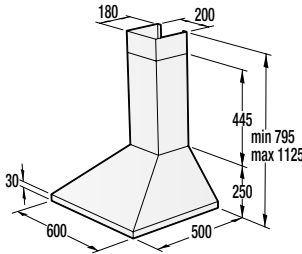
**WHGC 933 E16XUK** See page 61



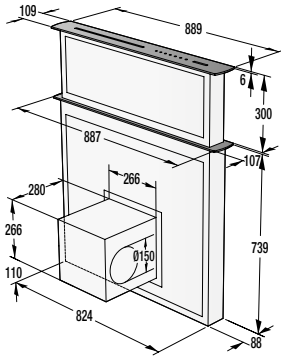
**WHGC 633 E16XUK** See page 61



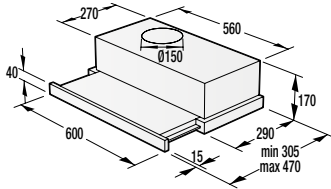
**WHC 923 E14XUK** See page 62



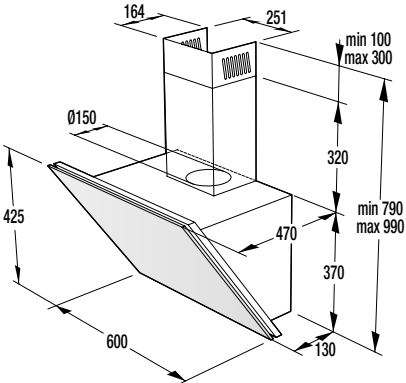
**WHC 623 E14XUK** See page 62



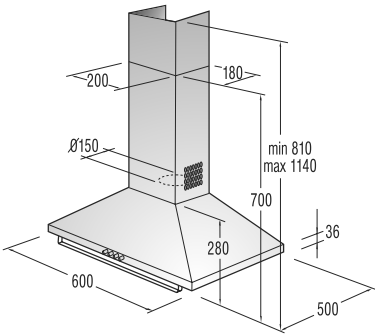
**DFGA 9575 BX** See page 63



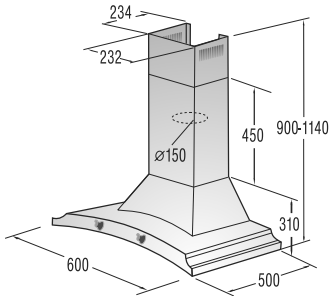
**BHP 623 E11XUK** See page 63



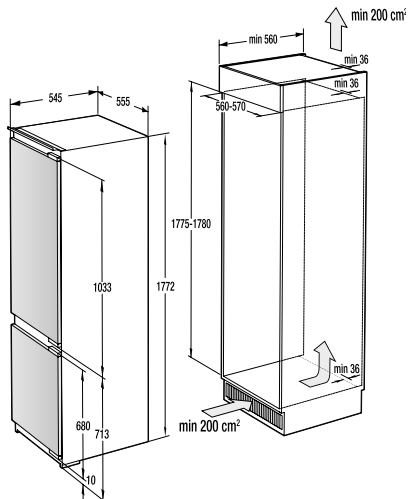
**WHI 643 ORAW** See page 99



**DK 63 CLI / B** See page 108

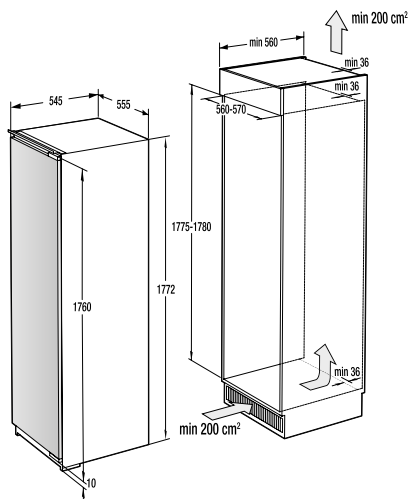


**DK 63 MCLI / B** See page 109



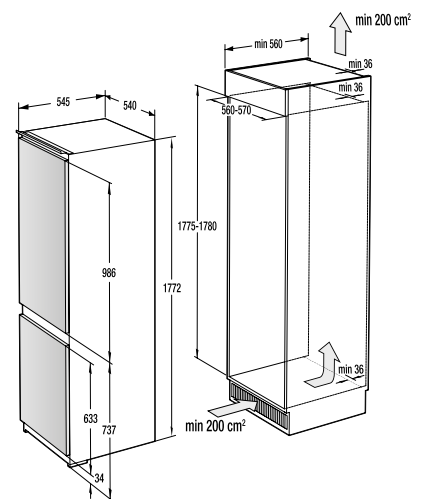
**NRKI 5182 A1UK /  
RKI 5182 A1UK**

See page 72



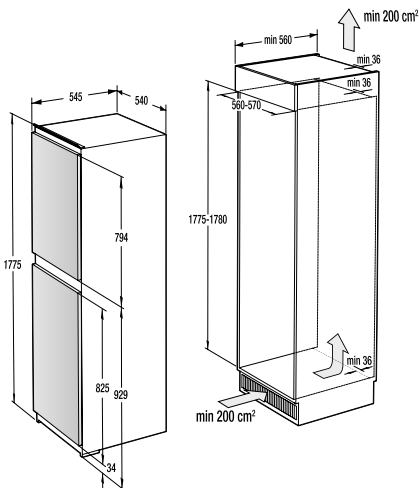
**RI 5182 A1UK /  
FNI5182A1UK**

See page 73



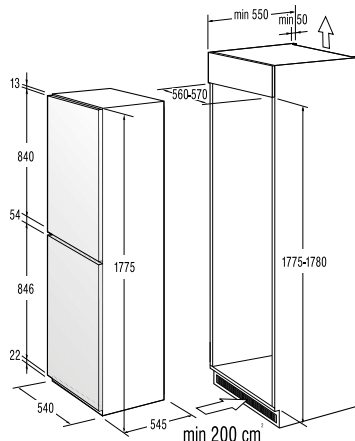
**NRKI 4181 E1UK**

See page 74



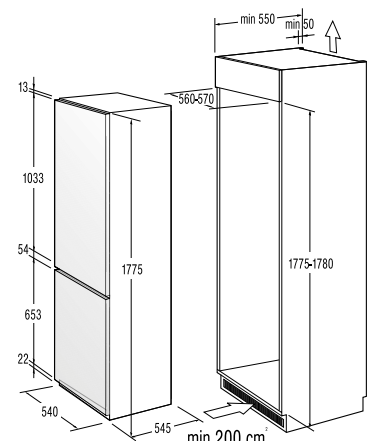
**NRKI 4181 CW**

See page 74



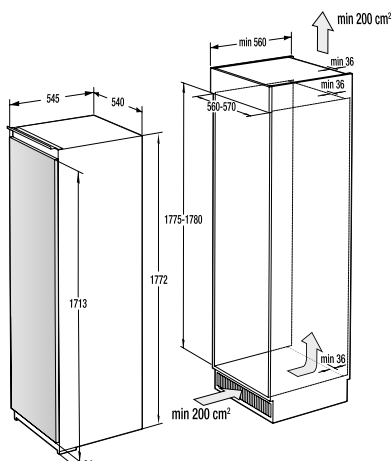
**RKI 4181 AWW**

See page 75



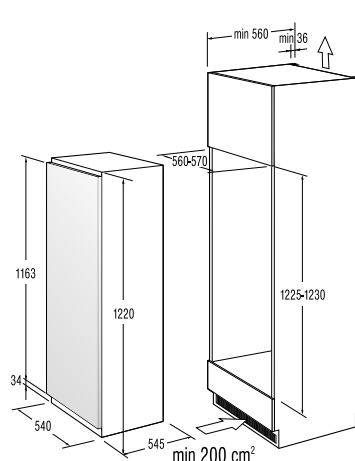
**RCI 4181 AWW**

See page 75



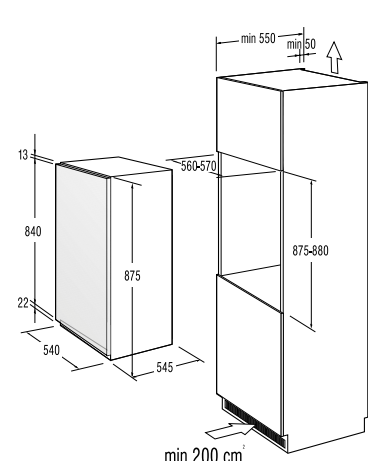
**RI 4181 E1UK**

See page 76



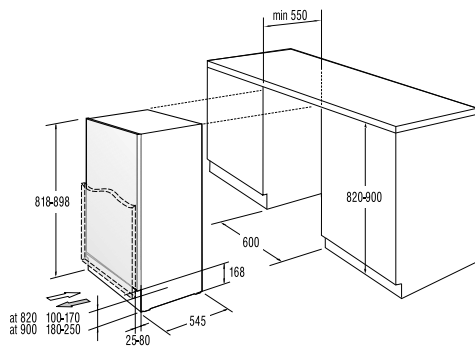
**RI 4121 AW  
RBI 4121 AW**

See pages 76-77



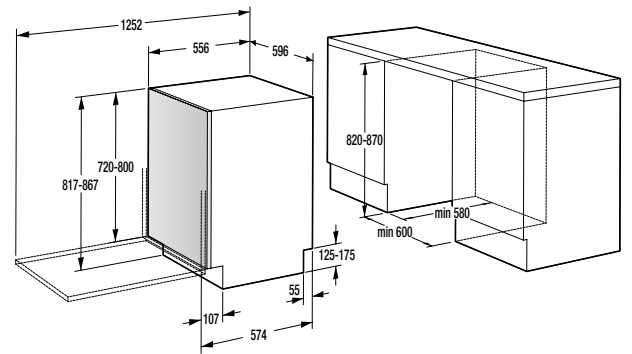
**RI 4091 AW  
FI 4091 AW**

See pages 77, 79



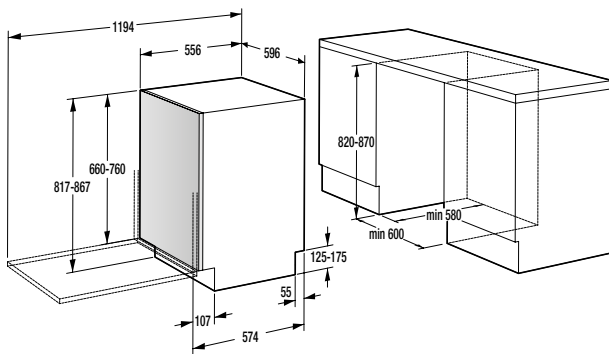
**RIU 6F091 AWUK /  
RBIU 6F091 AWUK / FIU 6F091 AWUK**

See pages 78-79



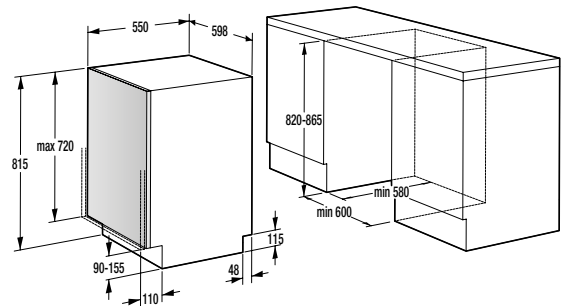
**GV 66260 UK**

See page 85



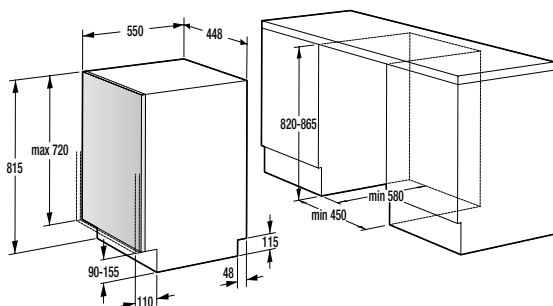
**GV 64160 UK**

See page 85



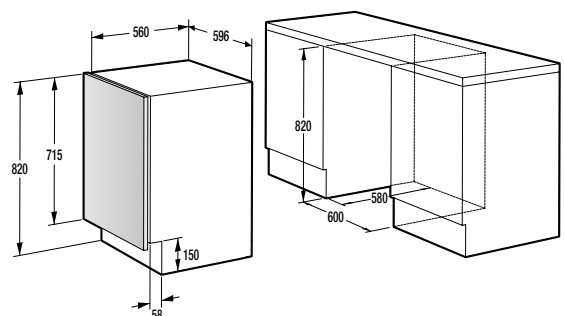
**GV 61010 UK**

See page 86



**GV 55110 UK**
















See page 86









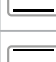













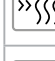

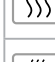


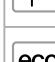






**WI 73140 / WDI 73120 HK**

See page 87




## Built-in ovens



	HomeMade oven
	HomeChef, electronic programme module
	IconTouch
	DirecTouch
	IconLed
	MultiFlow 360°
	PerfectGrill
	SilverMatte (easy clean enamel surface)
	TouchFree Inox
	Catalytic cleaning
	GentleClose door hinge
	BigSpace, large oven capacity
	SuperSize baking area
	MeatProbe
	AUTO programmes
	Step by step baking process
	Telescopic oven guides - 3 levels

	Telescopic oven guides - 2 levels
	Telescopic oven guides - 1 level
	Quadruple glazed oven door with double heat deflector (UltraCoolDoorQuadro)
	Triple glazed oven door with double heat deflector (UltraCoolDoor)
	Triple glazed oven door with one heat deflector (CoolDoor)
	Double glazed oven door with one heat deflector (CompactDoor)
	Dynamic oven cooling plus DC+
	Dynamic oven cooling DC
	Upper & lower heater
	Lower heater
	Upper heater
	Circular heater and fan
	Large infra grill
	Small grill
	Large infra grill and fan
	Lower heater and fan

	Lower heater with circular heater and fan
	Upper heater & lower heater & fan
	Small grill and fan
	Defrosting
	FastPreheat
	AquaClean
	StayWarm, keeping dishes warm
	WarmPlate, for professional service
	Auto roast
	Pyrolyse
	Eco program
	Preservation programme
	Low steam & circular heater & fan
	Medium steam & circular heater & fan
	High steam & circular heater & fan
	Steam cooking



## Microwave ovens



	MultiUse
	Inverter technology
	Stirrer technology

	Microwaves
	Grill

	Microwaves + grill
	Microwaves + circular heater + fan

## Coffee machines







	PerfectCoffee
	GrindingLevels

	CoffeeBean
	EasyMilk









	AutoCappuccino
---	----------------







## Built-in hobs




	IQcook
	IQsteam
	IQboil
	IQpro
	IQpoach
	IQgrill
	XpandZone
	BridgeZone




	FishZone
	PowerZone
	SmartControl
	SliderTouch
	Touch control
	SuperSilent
	PowerBoost Supreme, faster heating and cooking
	PowerBoost, faster heating and cooking

	BoilControl prevents the food from boiling over
	SoftMelt melting food at low temperature
	StayWarm function
	StopGo function
	ChildLock
	Wok gas burner
	High efficiency burners
	SimpleOff program timer







## Cooker hoods

	SliderTouch
	Touch on inox
	AdaptTech venting: Memorizing intelligent system
	Perimetric suction






	Filters (Washable aluminium with polyurethane foam)
	Timer function
	Inverter PowerDrive motor

	Led light
	TouchFree coating
	SmartCurve





## Cooling

	NoFrost DualAdvance
	FrostLess
	AdaptTech cooling: Memorizing intelligent system
	IonAir with DynamiCooling
	SuperCool
	Fan-assisted cooling in fridge




	CrispZone with HumidityControl
	FreshZone drawer
	FastFreeze
	CrispZone with VitaLight and SmatrHumidity
	LedLight
	MultiAdjust shelves

	XXL SpaceBox
	MultiBox
	MixBox
	Deep door bottle shelf
	Bottle holder




## Integrated dishwashers



	16 place settings
	TochControl
	Total AquaStop, total spill protection
	TotalDry – automatic door opening


	QuickIntensive programme
	SuperSilent
	AutoProgramme

	Extra-Hygiene
	Hot water connection
	Status LedLight

## Integrated washing & drying machines

	Washer load 1-7 kg
	Dryer load 1-4 kg
	Spin speed 1400 rpm

	Spin speed 1200 rpm
	LED display

	CarboTech tub material
	StartDelay 24h in advance

# FREE 5-YEAR PARTS AND LABOUR GUARANTEE

Once you make your purchase you will need to register your appliance either online or over the phone, to register your Gorenje appliance online please visit our website [www.gorenje.co.uk](http://www.gorenje.co.uk) and go to "registration" OR to register over the phone please call **020 8247 3980**

Gorenje offer a free 5 year parts and labour guarantee on selected built in ovens, hoods, built in cooling and selected freestanding cooling and washing products.

This guarantee shows our confidence in our technology and excellent product quality, all Gorenje appliances not covered by a 5 year guarantee get a free 2 year parts and labour guarantee.

## AFTER SALES SUPPORT

Once you have bought a Gorenje appliance you can relax knowing that in unlikely event of a fault occurring, you can rely on us to look after your appliance. If you are experiencing problems and require customer support please contact our Service Hotline on:

**0845 050 8555**  
(Republic of Ireland: 01 8835622)

**Please have all your appliance details and date of purchase ready in order for your call to be dealt with efficiently.**

Service Hotline opening times:

- Monday - Friday 8am - 6pm
- Saturday 9am - 4pm
- Sunday 11am - 3pm



## INVERTER POWERDRIVE MOTOR

Gorenje SensoCare washing machines are built to last. With the innovative inverter PowerDrive technology you will get an extra 10-year warranty on the motor.

# **gorenje**

**GORENJE UK Ltd**  
Tuition House  
27-37 St George's Road  
London  
SW19 4EU  
T 020 8247 39 80  
F 020 8247 39 99  
E [info.uk@gorenje.com](mailto:info.uk@gorenje.com)  
[www.gorenje.co.uk](http://www.gorenje.co.uk)

**[www.parsital.com](http://www.parsital.com)**