

gorenje

BY

ora ito

**MAGICALLY
SIMPLE.
SIMPLY
BEAUTIFUL.**

QUALITY AND TRADITION

Gorenje has been producing high-quality home appliances for over 60 years. It is committed to development of own technologies and to continuous improvement of its production processes. Drawing on Slovenian tradition and European values, Gorenje remains among the leading home appliance manufacturers in Europe. We are proud of every product that leaves our factories as we are aware that it was produced and tested to meet the stringent European environment protection standards.



Awards for Design



Awards for Environment



Awards for Reliability





OUR HISTORY

We were producers from the very beginning. The Gorenje company was founded in 1950 as a workshop in the idyllic village of Gorenje, Slovenia. With an ambitious and determined team, the young company first focused on the production of agricultural machinery. Inspired by newfound opportunities in the developing home appliances sector, Gorenje produced its first solid fuel cooker in 1958. The fast growing start-up moved its base to the young town of Velenje in 1960 and sold its first washing machine in 1964. The company's rapid growth and success played a significant role in the economic growth and prosperity of the area, providing employment to the wives of miners employed in the nearby lignite mine.

Since our beginnings in 1950, Gorenje grew into a multinational corporation. Drawing from Slovenian tradition and European values, Gorenje remains one of the leading European manufacturers of home appliances. In 6 production centers (Slovenia Head Quarters, Serbia, Czech Republic) and 44 business units abroad, Gorenje employs over 10.000 people. At Gorenje, we are committed to designing and perfecting home appliances of the highest standards with smartly thought out aesthetics and intuitively human technology. We are proud of every single product that leaves our factories as we know that it is produced and tested to meet the highest product and environmental protection standards. But most of all, we are proud to have the ability to improve and simplify the lives of people in 90 countries around the globe.





MAGICALLY SIMPLE. SIMPLY BEAUTIFUL.

Just as a magician produces an illusion by the sleight of his hand, so you can flambé with the greatest of ease.

Everything is possible with the new collection of kitchen appliances created by the famous French designer Ora İto. They are simple, intuitive and integrate the best that technology has to offer.

To top it all off they are visually stunning and convey a 'wow' effect whether you choose the black or the white collection. Feel them. Touch them. Enjoy the timeless perfection of their design.

MEET

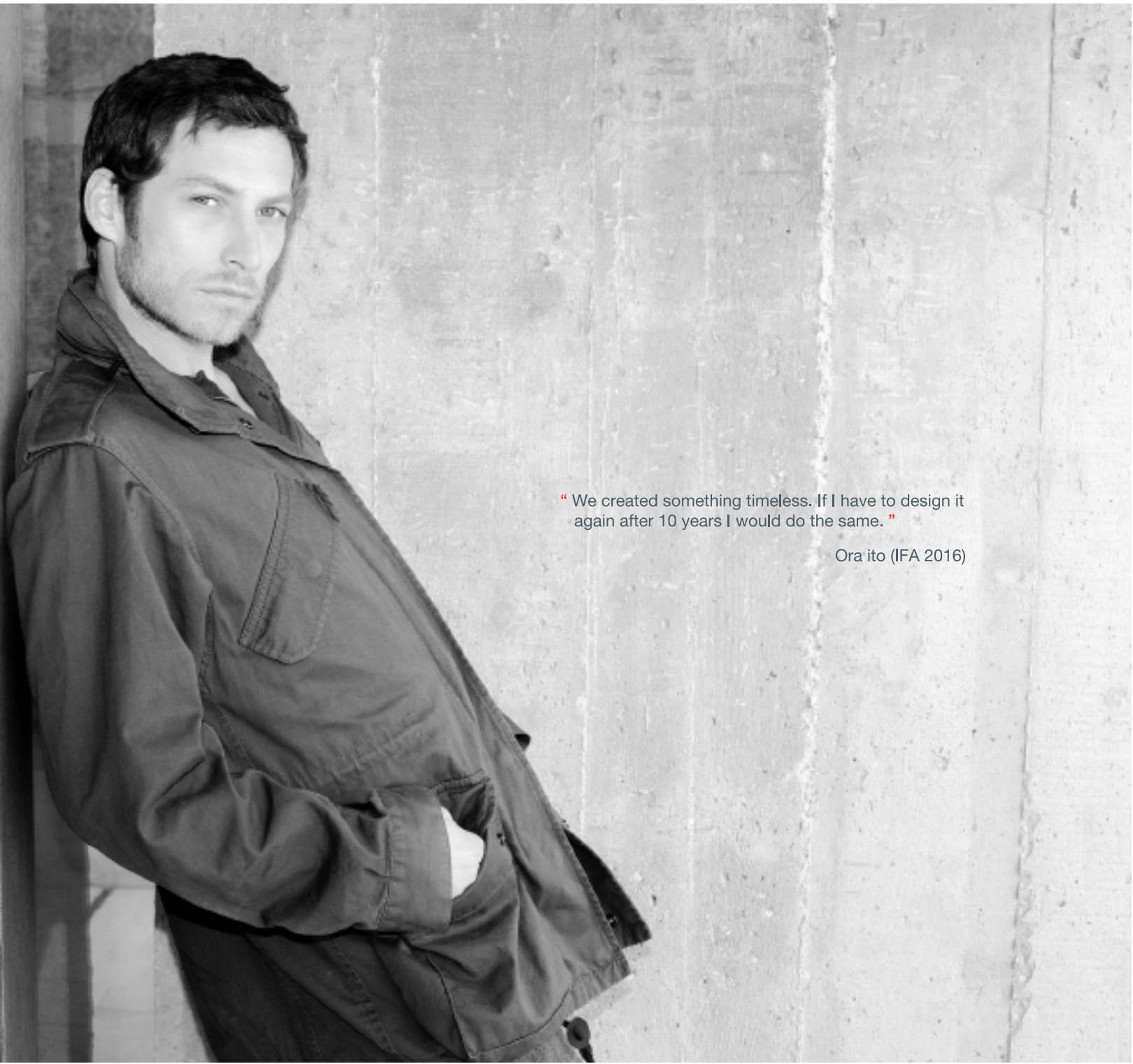
ora-^{it}o

The creative French designer has always been known for pushing the boundaries of design to create something that is timelessly aesthetic and simple.

Ora ïto characterizes his style as Simplicity, i.e. an integration of simplicity and complexity. His concepts are bold, defying the established norms. He has received numerous international awards for his designs.

According to Wallpaper magazine ranked him amongst the top 40 most influential designers under 40 years old. He was appointed Chevalier des Arts et des Lettres in 2011.





“ We created something timeless. If I have to design it again after 10 years I would do the same. ”

Ora ito (IFA 2016)





OVENS

Some flour and yeast, just the right temperature and your secret ingredient. Is it bread or is it magic?



HomeMade shape

Abracadabra, perfectly baked!

Inspired by traditional wood-burning ovens, the characteristic rounded shape of Gorenje by Ora ito ovens enables hot air to move around freely. The food is heated evenly from all sides and always perfectly done: crispy on the outside and juicy on the inside



BigSpace

Impress with your creativity

Be the illusionist in your own home with the innovatively shaped Gorenje by Ora ito ovens, which offer increased capacity while maintaining their outside dimensions. Now the optimised airflow circulates at an even greater volume, allowing you to prepare even larger quantities of food.



MultiFlow 360°

You can do it all at once

You don't need magic powers to bake on five levels at the same time. Smartly positioned ventilation openings on the oven back wall together with the unique rounded shape guarantee optimal circulation of heat within the oven for simultaneous baking on many levels without smells or flavours mixing together.



AquaClean

So you can save time for more important things

AquaClean offers great assistance in cleaning of the oven cavity. All it takes is to pour half a litre of water into a baking tray and turn AquaClean on after each baking. In just 30 minutes, the results are visible on the entire surface and the baking trays. Stains and grease are softened and can be wiped away more easily and the oven stays spotless.



DirectTouch

Perfection is a touch away

Intuitive symbols make the oven easy to use and allow freedom to set any cooking parameter according to one's personal preferences. Just the right touch and your delicious meal will be ready!



GentleClose

Let your cooking make the noise

Only a gentle push is enough and the oven door will close smoothly and silently.





COMPACT OVENS

The heat is on. A cloud of steam appears. Add spices and your magic words. The smells are magnificent!



COMBI STEAM OVENS



MultiSteam 360°

Perfectly steamed every time

After the steam enters the oven cavity through multiple openings, a special fan distributes the steam evenly, giving the food a soft and tender feel. Just one water tank will do the trick!



HealthyReheating

Evenly reheated or defrosted

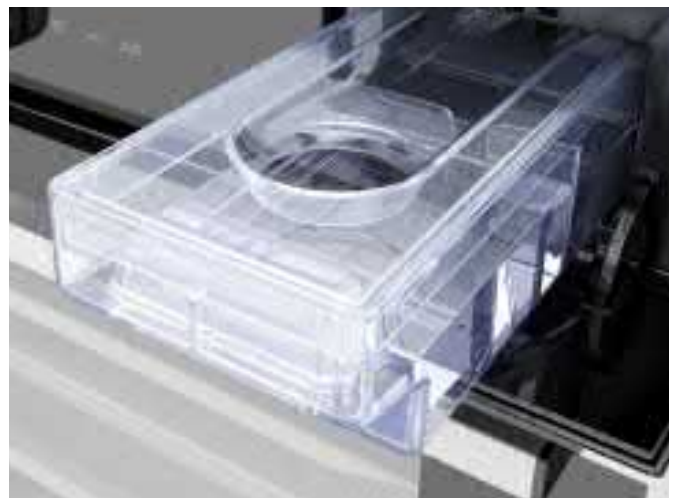
Combi steam oven can be used to reheat or defrost dishes. When the food is reheated, it is not additionally cooked, and it never dries out.



PureSteam

No water, just steam

Thanks to the special steam generator, a cloud of pure steam is distributed all over the oven, without any drops of water that could spoil the food, making it soggy. It is also excellent for defrosting since warm steam evenly surrounds the food without creating hot spots.



WaterTank

Water at hand

The large, practical and elegant water tank is easily accessible and can be refilled even during the cooking process, without ever interrupting it. The 1.3l tank is smartly positioned for easier handling and designed to offer more space and prevent spilling.



COMBI MICROWAVE OVENS



Stirrer Technology

Say goodbye to uneven heating

It's not sorcery, just an advanced microwave distribution system, which heats the food uniformly across the entire volume of the oven and allows the use of a standard-size baking tray in the microwave oven. Conventional turntables and unevenly heated food are a thing of the past.



AquaClean

So you can save time for more important things

AquaClean offers great assistance in cleaning of the oven cavity. All it takes is to pour half a litre of water into a baking tray and turn AquaClean on after each baking. In just 30 minutes, the results are visible on the entire surface and the baking trays.



Inverter Technology

Snap your fingers and lunch is done

Inverter technology ensures the energy is evenly distributed instead of pulsating, thereby shortening the overall microwaving time and lowering the energy consumption. Your lunch will be ready in no time and will retain its vitamins, minerals and fibers.



MultiUse

Simple, casual cleaning

No matter what you are preparing, this oven offers the right solution: grill and hot air for larger cuts of meat, grill and microwave combination for pizzas and multi-level microwave power setting for speedy results. Of course, you can also use it as a conventional oven.





WARMING DRAWERS

Every ingredient is carefully chosen, every detail is well thought through. The plates are warm and the stage is yours!



 **StayWarm**
Keeps your cooking delicious

The magic performance took longer than expected? Don't worry, the StayWarm function will keep your food at a constant temperature of 70°C and ensure it retains its original flavour until the time is right to serve the meal.



 **AutoDefrost**
Healthy defrosting with one touch

Defrosting in the warming drawer is uniform and gentle. AutoDefrost function makes sure the food preserves its nutrients, appealing appearance and structure during thawing.



Yoghurt

When you want a healthy choice

This automatic temperature and time setting will provide optimal conditions for you to conjure a healthy homemade yoghurt in just a couple of hours.



WarmingDrawer

The beauty is in the details

Keep your food and dishware warm with the warming drawer installed under the compact oven. The pair fits perfectly into the furniture element designed for classic built-in ovens and offers convenient and practical functionalities.

Capacity: Set for 6 person/ 20 Dishes in 28 cm/ 80 coffee cups/ 40 tea cups





MICROWAVE

The best magic doesn't take a lot of time. Just a minute or two and the show can begin.



 **TouchControl**
Everything is under your control

The microwave oven can be simply operated by touch and even locked to ensure little hands won't play with it. There are no knobs or buttons, which gives the oven a sleek look and allows easy cleaning.



AutoMenu

The magic spell for simple cooking

A number of preset programs enables even simpler preparation of certain dishes. Just select the type of food and enter its weight, and the oven will automatically adjust the power and cooking time accordingly.



SmartDisplay

One glance reveals everything

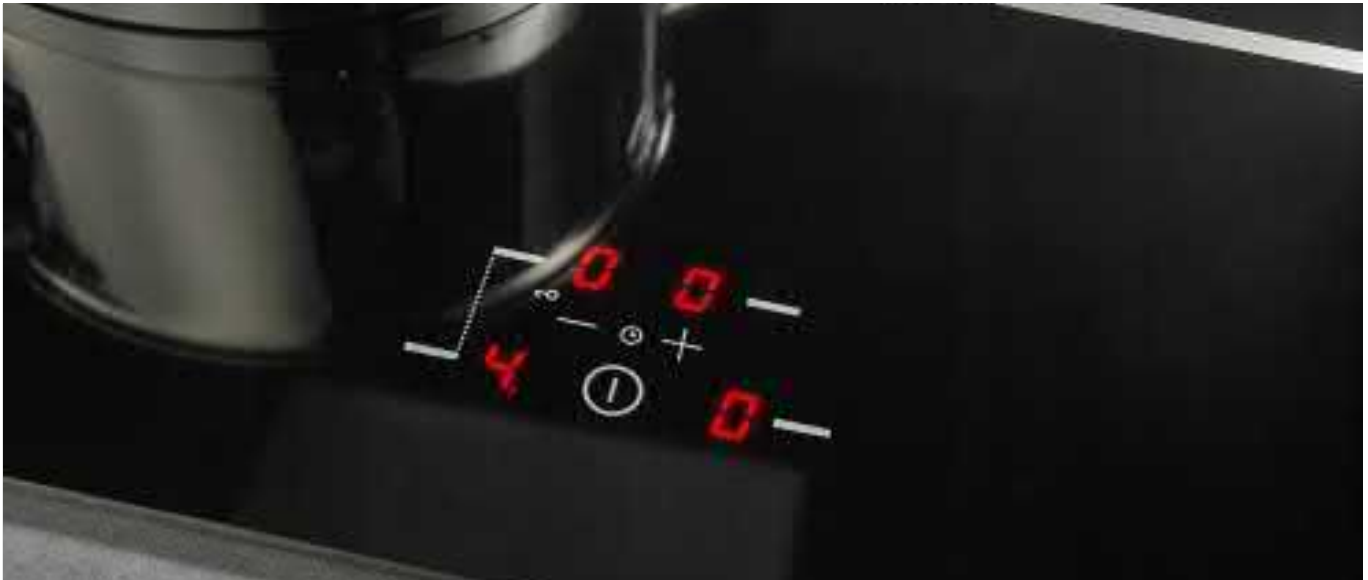
With the display that spans over the entire height of the microwave oven you will be able to monitor the cooking progress and track the time until your meal is prepared.





HOBS

Some magicians have a hat, you use pots and pans. And your magician's assistant? It will do its work flawlessly.



TouchControl

Now anyone can have the magic touch

Modern sensor technology allows clear and simple touch control operation literally with your fingertips. The controlsurface is perfectly smooth and easy to clean.



Timer

Never miss the right time

The timer ensures the hob will switch off automatically at the desired time notifying you with a sound alarm.



ChildLock

The kitchen as a safe environment

ChildLock option is excellent for those who have children at home. Leaving them in a kitchen unauthorized has never been safer, since this option prevents them from resetting any parameters.



PowerBoost

Make the most of your time

PowerBoost provides extreme heat intensity to the pot and significantly cuts waiting time. You will boil 2 litres of water in just under 6 minutes, giving you plenty of time to practice your magical performance



BridgeZone

A simple plan for super-sized pots

Magically turn two separate cooking zones into one with just a simple touch. Cooking in large pots and pans has never been easier or more efficient.





HOODS

The air is filled with anticipation. And nothing else. Now, turn on the lights!



AdaptTech

So you can focus on the show

The hood detects the level of impurities and automatically adjusts the fan speed or even stops it completely when it is no longer needed. And you can turn all your attention to your wonderful meal.



LedLight

Set the scene with perfect lighting

LED lighting provides excellent illumination of the cooking hob and adds a touch of elegance to your kitchen. Its useful life is thirty times as long as that of conventional light bulbs, and it saves up to ten times as much power.



P.A.S. System

Silent and efficient

The innovative parametric air suction system redirects air extraction from the central part to the outer edges of the hood. This approach optimises energy consumption, reduces noise and makes air extraction considerably more efficient.



Timer and refresh

Always a fresh kitchen

The hood can be automatically switched off in 10, 20 or 30 minutes. The refresh function is activated every hour and automatically starts refreshing the air for five minutes.



GentleClose

Smooth closing

The GentleClose function enables simple, silent and elegant closing of the pull-out hood. A gentle push is enough for the hood to softly retract to its housing.





DISHWASHERS

The table is empty and all the traces have been cleaned. Tomorrow, your magic will start again.



16 place settings

More space than in the magic hat

The fully flexible interior allows for different loading options, while three baskets offer enough space to clean even 16 place settings at a time. Now you can really throw the ultimate party!



AutoProgramme

Spotlessly clean no matter what

No need for special programmes – the single AutoProgramme will adapt to your every need. Advanced sensor technology will optimize the water and energy consumption to make sure your dishes are impeccably clean, whether you just need to rinse a few glasses or wash the greasy pots from Sunday lunch.



15 min SpeedWash

Clean fast so you can slow down

Imagine throwing a dinner party and the dishes from the main course are cleaned in the time it takes to serve dessert. A quick 20 min programme with the SpeedWash function will do your dishes in only 15 minutes. Perfect for handling the volume of dishes created by having multiple guests in the house.



ExtraHygiene

Always a clean baby bottle

This programme includes an additional rinse with cool water, followed by an extended wash with hot water at 70 °C to eliminate 99.9 % of all bacteria. The program that mimics the sterilization process is made for families with babies, for cleaning baby utensils and bottles.



Total AquaStop

Do not worry about water spillage

With the AquaStop safety feature, the dishwasher can be safely left to operate at night as well as in your absence. In case of a leakage or flooding, AquaStop automatically cuts off the water supply while the pump siphons the residual water out of the dishwasher basin. AquaStop remains fully functional over the lifespan of the appliance.



TotalDry

Takes care of itself

After the washing cycle, the dishwasher door automatically opens just slightly to let out excess steam and ensure all items, even plastic ones, dry completely. This magic trick is excellent for quick drying with low energy consumption.



B06580RAB

Built-in single oven

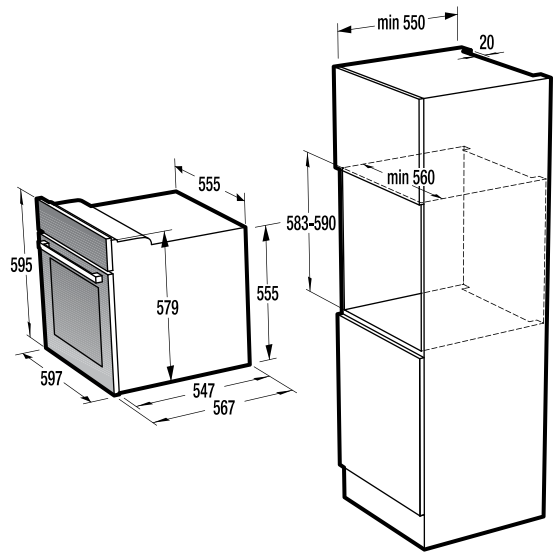
DIMENSIONS

Built-in single oven



- Colour: Balck
- Handle colour : Colour of brushed stainless steel
- Control panel material : Glass
- GentleClose door hinge

Efficiency	<ul style="list-style-type: none"> - Multisystem oven BigSpace - 67 l - SuperSize baking area - HomeMADE® modelled on traditional wood-fired bread oven - PerfectGrill
Control	<ul style="list-style-type: none"> - Electronic control - Directouch
Heating types	
Features	<ul style="list-style-type: none"> - Illumination - Baking on different levels at the same time
Equipment	<ul style="list-style-type: none"> - 1 deep enameled baking pan - 1 shallow enameled baking pan - Wire shelf - Oven guides: Partially extendable telescopic guides on three levels - Meat Probe - Catalytic oven side
Safty	<ul style="list-style-type: none"> - Thermoelectric fuse - Dynamic oven cooling plus - DC+ - Triple glazed oven door with one heat deflector (CoolDoor)
EasyCleaning	<ul style="list-style-type: none"> - EasyClean liners - AquaClean function - SilverMatte - TouchFree Inox - Smooth oven door surface
Technical data	<ul style="list-style-type: none"> - Energy consumption: 0,67 kWh (venting), 0,92 kWh (conventional) - Connection rating: 3300 W - Dimensions (HxWxD): 59,5 × 59,7 × 54,7 cm - Niche dimensions min-max (HxWxD): 58,3-60 × 56-56,8 × 55 cm





B06370RAB

Built-in single oven

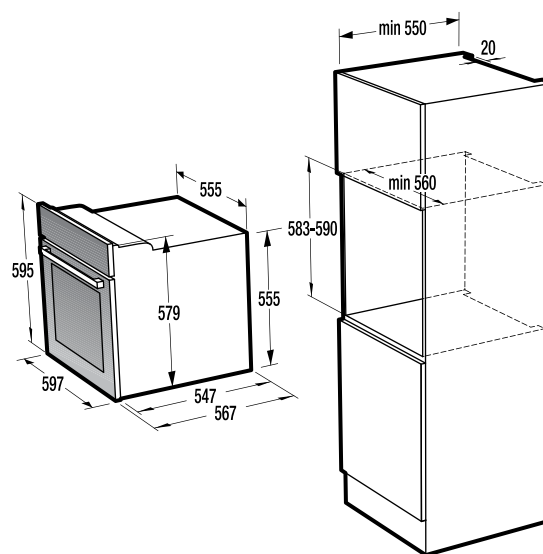


- Colour: Black
- Handle colour : Colour of brushed stainless steel
- Control panel material : Glass
- GentleClose door hinge

Efficiency	<ul style="list-style-type: none"> - Multisystem oven BigSpace - 65 l - SuperSize baking area - HomeMADE® modelled on traditional wood-fired bread oven - PerfectGrill - Oven shape: Chimney shape
Control	<ul style="list-style-type: none"> - Mechanic temperature control - Sinkable knobs - IconLed
Heating types	
Features	<ul style="list-style-type: none"> - Illumination - Baking on different levels at the same time
Equipment	<ul style="list-style-type: none"> - 1 deep enameled baking pan - 1 shallow enameled baking pan - Wire shelf - Oven guides: Partially extendable telescopic guides on two levels
Safety	<ul style="list-style-type: none"> - Thermoelectric fuse - Dynamic oven cooling plus - DC+ - Triple glazed oven door with one heat deflector (CoolDoor)
EasyCleaning	<ul style="list-style-type: none"> - AquaClean function - SilverMatte - TouchFree Inox - Flat oven inner door glass surface: Removable
Technical data	<ul style="list-style-type: none"> - Energy consumption: 0,85 kWh (venting), 0,92 kWh (conventional) - Connection rating: 3300 W - Dimensions (HxWxD): 59,5 × 59,7 × 54,7 cm - Niche dimensions min-max (HxWxD): 58,3-60 × 56-56,8 × 55 cm

DIMENSIONS

Built-in single oven





BCS5470RAB

Built-in compact steam oven

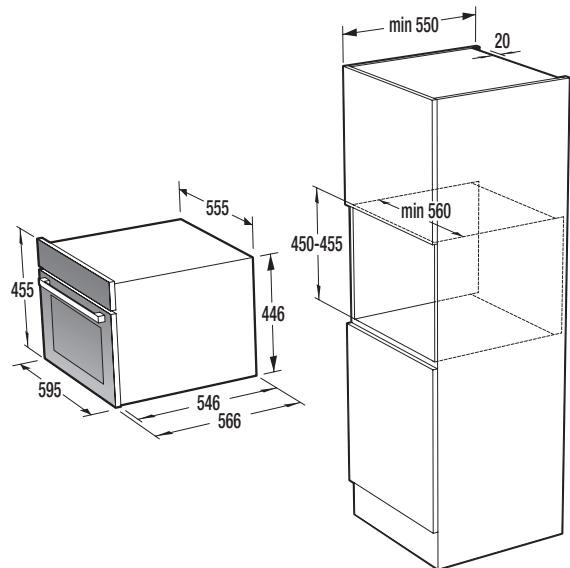


- Colour: Balck
- Handle colour : Colour of brushed stainless steel
- Control panel material : Glass
- SoftOpen and GentleClose door hinge

Efficiency	<ul style="list-style-type: none"> - Combined microwave oven - 50 l - SuperSize baking area - HomeMADE® modelled on traditional wood-fired bread oven - Oven shape: Chimney shape - MultiSteam 360°
Control	<ul style="list-style-type: none"> - Electronic control - Knob shape: Sinkable knobs - IconTouch
Heating types	
Features	<ul style="list-style-type: none"> - PureSteam - Double lightning - Baking on different levels at the same time - MultiFlow 360°
Equipment	<ul style="list-style-type: none"> - 1 steam tray - 1 shallow enameled baking pan - 1 perforated steam tray - Wire shelf - Oven guides: Fully extendable telescopic guides on one level - Water container: 1,3 l - Meat Probe ready
Safty	<ul style="list-style-type: none"> - Thermoelectric fuse - Dynamic oven cooling plus - DC+ - Triple glazed oven door with double heat deflector (UltraCoolDoor) - Mechanic door safety bolt
EasyCleaning	<ul style="list-style-type: none"> - AquaClean function - Descaling - SilverMatte - Flat oven inner door glass surface: Removable
Technical data	<ul style="list-style-type: none"> - Energy consumption: 0,62 kWh (venting), 0,82 kWh (conventional) - Connection rating: 2600 W - Dimensions (HxWxD): 45,5 × 59,5 × 54,6 cm - Niche dimensions (HxWxD): 45 × 56 × 55 cm

DIMENSIONS

Built-in compact steam oven





BCM5470RAB

Combined compact microwave oven

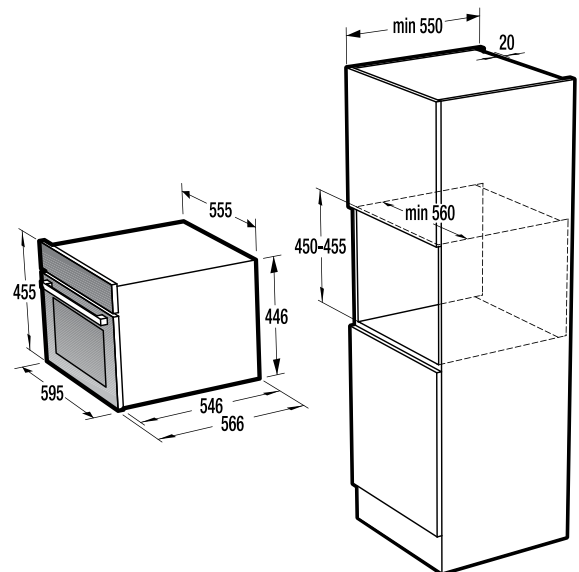


- Colour: Black
- Handle colour : Colour of brushed stainless steel
- Control panel material : Glass
- Classic door hinge

Efficiency	<ul style="list-style-type: none"> - Combined microwave oven - 50 l - SuperSize baking area - HomeMADE® modelled on traditional wood-fired bread oven - Microwave power: 1000 W
Control	<ul style="list-style-type: none"> - Electronic control - Knob shape: Sinkable knobs - IconTouch
Heating types	
Features	<ul style="list-style-type: none"> - MultiUse - Inverter technology - Stirrer technology - Double lightning - Baking on different levels at the same time - MultiFlow 360°
Equipment	<ul style="list-style-type: none"> - 1 shallow enameled baking pan - 1 glass baking pan - Wire shelf - Meat probe option - Oven guides: 1x wire guides
Safety	<ul style="list-style-type: none"> - Thermoelectric fuse - Dynamic oven cooling plus - DC+ - Triple glazing with a protective grid
EasyCleaning	<ul style="list-style-type: none"> - SilverMatte - Smooth oven door surface
Technical data	<ul style="list-style-type: none"> - Connection rating: 3000 W - Dimensions (HxWxD): 45,5 × 59,5 × 54,6 cm - Niche dimensions (HxWxD): 45 × 56 × 55 cm

DIMENSIONS

Combined compact microwave oven






BM2350RAB

Built-in microwave oven with grill

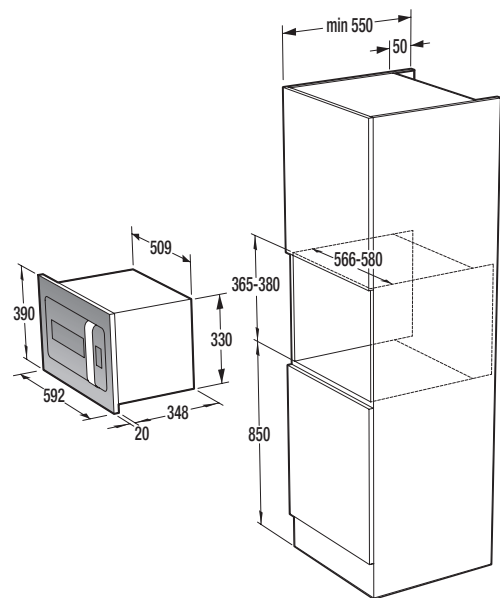


- Colour: Balck
- Front panel material and Door material: Glass
- Stainless steel oven interior
- Door opening: Left door opening
- Door open type: Handle
- Oven doors: Double-glazed oven door

Efficiency	<ul style="list-style-type: none"> - Oven volume: 23 l - SuperSize baking area - Microwave power: 900 W - Power of upper infra heater: 1200 W
Control	<ul style="list-style-type: none"> - Electronic control - Input type: TouchControl - Type of display: LED display - LogicalChoice
Heating types	 <ul style="list-style-type: none"> - Combined heating: Microwaves + grill
Features	<ul style="list-style-type: none"> - AUTO menu - Preinstalled programmes: 6 - Defrost function by weight - Function Smart display
Equipment	<ul style="list-style-type: none"> - Rotating glass plate - Rotating grid
Safty	<ul style="list-style-type: none"> - ChildLock - Door safety bolt
Technical data	<ul style="list-style-type: none"> - Connection rating: 1400 W - Dimensions (HxWxD): 39 × 59,2 × 36,8 cm - Niche dimensions (HxWxD): 36,5 × 56,6 × 55 cm

DIMENSIONS

Built-in microwave oven with grill





WD1410BG

Warming drawer

59,5
← cm →

- Colour: Balck

Efficiency

- Number of servings: Set for 6 persons or 20 dishes in diameter 28 cm or 80 coffee cups or 40 tea cups
- Capacity: 6 servings

Functions / Operating

- Warming of plates
- Warming of cups
- Heat preservation
- Defrosting of food
- Yoghurt
- Manual setting of temperature and timer

Features

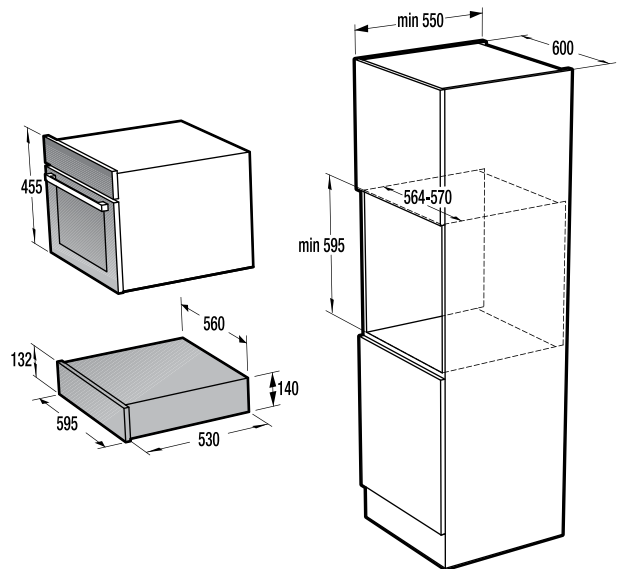
- Air vented circulation
- Time setting: Stop
- Control: Touch control
- Variable temperature
- Telescopic pull-out mechanism
- Cold front
- Drawer bottom: Glass

Technical data

- Usable volume: 19,8 l
- Temperature range: 40 – 80 °C
- Timer range: 60 – 240 min
- Connection rating: 410 W
- Dimensions (HxWxD): 14 × 59,5 × 56 cm

DIMENSIONS

Warming drawer





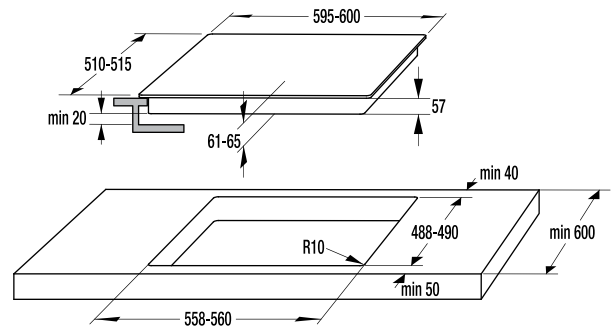
IT6350RAB
Induction hob



- Colour: Balck
- Soft cut hob edges

DIMENSIONS
Induction hob

Control	- Touch control - Timer function
Features	- PowerBoost function - AllBoost - BridgeZone - Silent operation SuperSilent
Cooking surface	- 4 induction heating zones - Left front: Ø 18,5 cm, 1,4/2 kW - Right front: Ø 16,5 cm, 1,2/1,4 kW - Left behind: Ø 18,5 cm, 1,2/1,4 kW, - Right behind: Ø 20,5 cm, 2/2,3 kW
Safety and durability	- Residual heat indicator - ChildLock
Technical data	- Connection rating: 7100 W - Dimensions (HxWxD): 6,4 × 59,5 × 52 cm - Niche dimensions min-max (HxWxD): 7,7 × 55,8-56 × 49 cm





IHGC9630RAB

Freestanding island cooker hood

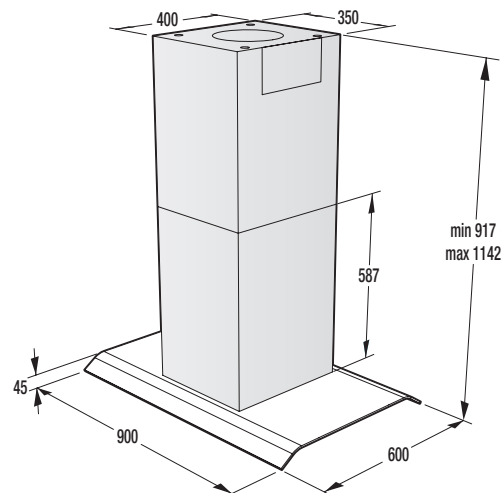


- Venting with air extraction or recirculation
- Material of housing/chimney: varnished steel
- Colour of housing/chimney: black painted and black glass / black

Efficiency	<ul style="list-style-type: none"> - Maximum extraction rate by extraction operation: 1000 m³/h - Venting tube diameter: 15 cm - Number of PowerBoost functions: 2
Control	<ul style="list-style-type: none"> - AdaptTech: Automatic fan operation - Electronic control - Timer function - Control setting: Touch control - Number of speed positions: 3
Features	<ul style="list-style-type: none"> - TouchFree Inox - Constant ventilation ReFresh - SmartCurve - Lamp type: Led strip - Dimmer function - Number of lights: 2 - Power of lights: 13 W
Equipment	<ul style="list-style-type: none"> - Filter material: Washable aluminium with polyurethane foam - Grease filter indicator - Number of motors: 1 - Motor type: Capacitor motor - No return airflow flap: 150 mm
Technical data	<ul style="list-style-type: none"> - Noise level (max.): 64 dB(A)re 1 pW - Product dimensions (WxD): 90 × 60cm - Height: 560 mm - Min. height of the chimney: 285 mm - Max. height of the chimney: 510 mm - Annual energy consumption : 66.1 kWh

DIMENSIONS

Freestanding island cooker hood





WHI9430RAB

Wall mounted cooker hood

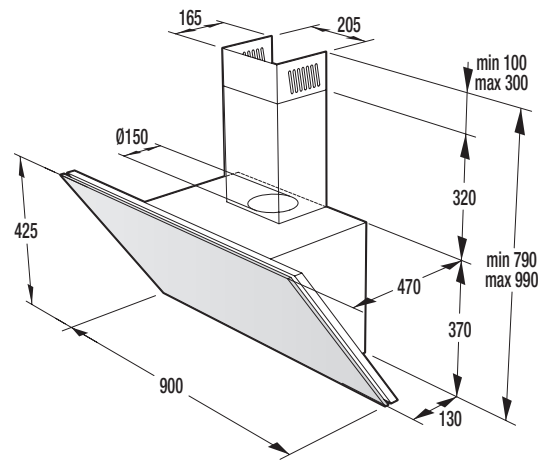


- Venting with air extraction or recirculation
- Material of housing/chimney: varnished steel
- Colour of housing/chimney: black painted and black glass / black

Efficiency	<ul style="list-style-type: none"> - Maximum extraction rate by extraction operation: 1000 m³/h - Venting tube diameter: 15 cm - Number of PowerBoost functions: 2
Control	<ul style="list-style-type: none"> - AdaptTech: Automatic fan operation - Electronic control - Control setting: Touch control - Timer function - Number of speed positions: 3
Features	<ul style="list-style-type: none"> - Constant ventilation ReFresh - Lamp type: LED - Dimmer function - Number of lights: 2 - Power of lights: 8 W - Perimetric suction
Equipment	<ul style="list-style-type: none"> - Filter material: Washable aluminium with polyurethane foam - Grease filter indicator - Number of motors: 1 - Motor type: Capacitor motor - No return airflow flap: 150 mm
Technical data	<ul style="list-style-type: none"> - Noise level (max.): 59 dB(A)re 1 pW - Product dimensions (WxD): 90 × 47 cm - Height: 425 mm - Min. height of the chimney: 420 mm - Max. height of the chimney: 620 mm - Annual energy consumption : 60.6 kWh

DIMENSIONS

Wall mounted cooker hood





WHI6430RAB

Wall mounted cooker hood

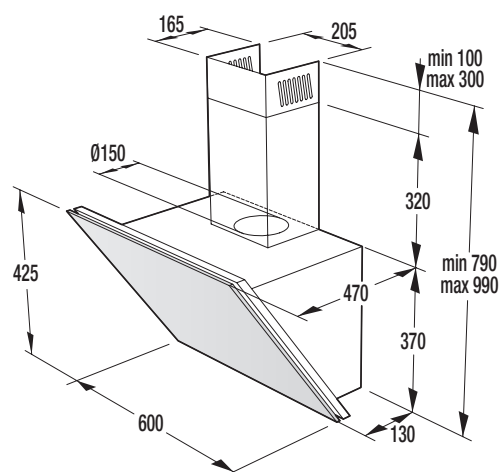


- Venting with air extraction or recirculation
- Material of housing/chimney: varnished steel
- Colour of housing/chimney: black painted and black glass / black

Efficiency	<ul style="list-style-type: none"> - Maximum extraction rate by extraction operation: 1000 m³/h - Venting tube diameter: 15 cm - Number of PowerBoost functions: 2
Control	<ul style="list-style-type: none"> - AdaptTech: Automatic fan operation - Electronic control - Control setting: Touch control - Timer function - Number of speed positions: 3
Features	<ul style="list-style-type: none"> - Constant ventilation ReFresh - Lamp type: LED - Dimmer function - Number of lights: 2 - Power of lights: 8 W - Perimetric suction
Equipment	<ul style="list-style-type: none"> - Filter material: Washable aluminium with polyurethane foam - Grease filter indicator - Number of motors: 1 - Motor type: Capacitor motor - No return airflow flap: 150 mm
Technical data	<ul style="list-style-type: none"> - Noise level (max.): 59 dB(A)re 1 pW - Product dimensions (WxD): 90 × 47 cm - Height: 425 mm - Min. height of the chimney: 420 mm - Max. height of the chimney: 620 mm - Annual energy consumption : 60.6 kWh

DIMENSIONS

Wall mounted cooker hood





BHP6430RAB

Built-in cooker hood



- Venting with air extraction or recirculation
- Colour of housing/chimney: black painted and black glass

Efficiency

- Maximum extraction rate by extraction operation: 850 m³/h
- Venting tube diameter: 15 cm

Control

- AdaptTech: Automatic fan operation
- Electronic control
- Control setting: Touch control
- Timer function
- Number of speed positions: 3

Features

- Constant ventilation ReFresh
- GentleClose
- Lamp type: LED
- On/off light switch
- Number of lights: 2
- Power of lights: 6 W

Equipment

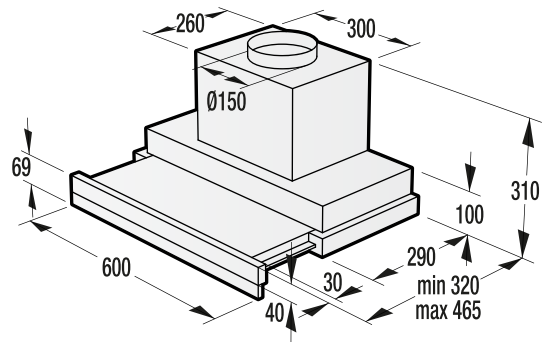
- Filter material: Washable aluminium with polyurethane foam
- Grease filter indicator
- Number of motors: 1
- Motor type: Capacitor motor
- No return airflow flap: 150 mm

Technical data

- Noise level (max.): 62 dB(A)re 1 pW
- Product dimensions (WxD): 60 × 31,5 cm
- Height: 310 mm
- Annual energy consumption : 53 kWh

DIMENSIONS

Built-in cooker hood





GV600RAB

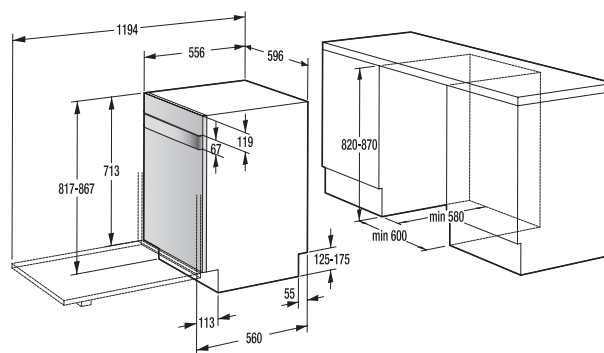
Fully integrated dishwasher



Efficiency	<ul style="list-style-type: none"> - Max. temperature of inflow water: 70 °C - Motor: Asynchronous single phase motor
Control	<ul style="list-style-type: none"> - TouchControl
Programmes	<ul style="list-style-type: none"> - Washing temperature(s): 70, 65, 55, 45, 35 °C - 5 programmes: Automatic programme; Intensive programme; Eco programme; Rinsing; Quick programme 20 - Reference programme: 3 - Automatic programme - Memory programme - QuickIntensive programme
Features	<ul style="list-style-type: none"> - 16 place settings - TotalDry – automatic door opening - ExtraHygiene - Visual indicator for wash finish on control panel - Voice signal for the end of washing cycle - SpeedWash function - Function 3 in 1
UseLogic technology	<ul style="list-style-type: none"> - Start delay up to 24 hours
Equipment	<ul style="list-style-type: none"> - Number of baskets: 3 - Variable top basket - Upper basket system: MultiClack - Selfcleaning filter - Foldable bottom plate baskets - Number of water jet levels: 5 - Number of sprinkle hands: 3 - Upper basket: Wide mesh base; Handle with plastic logotype; Foldable left wine shelf; Foldable right wine shelf; Wide knife stand; One foldable glass support - Lower basket: Wide mesh base; Handle with stainless steel logotype; Foldable/divisible rear pin row - Top tray: With telescopic rails; Handle with stainless steel logotype
Safety	<ul style="list-style-type: none"> - Total AquaStop - Stainless steel tub - Service diagnostics
Technical data	<ul style="list-style-type: none"> - Energy class: A+++ - Height setting: 50 mm
Consumption data	<ul style="list-style-type: none"> - Water consumption: 9,5 l - Energy consumption- normal program: 0,86 kWh - Estimated annual water consumption : 2660 l - Level of noise (max.): 45 dB(A)re 1 pW - Dimensions (HxWxD): 81,7 × 59,6 × 55,6 cm - Niche dimensions (HxWxD): 82 × 60 × 57 cm

DIMENSIONS

Fully integrated dishwasher







Important Notes:

- Terms & conditions and Other areas not covered by the warranty are stated in the warranty card.
- The Warranty Terms and Conditions shall be effective for the products sold by Gorenje AEC Co., Ltd. or its authorized distributor only.
- All MDA Gorenje products are standard warranty for 2 years, covering spare parts and labor cost.
- All prices exclude installation and delivery fees.
- All prices, pictures, colours, models, diagrams and specifications are for reference purposes only and subject to change without prior notice.
- Appliances are available while stock lasts.
- Company will not responsible for any errors caused by printing process.
- We bear no liability for any misprint or other errors that might occur in the production of the catalogue.
- For Service Enquiry, please contact Gorenje Aftersales telephone: 02 631-1675 (Monday – Friday during 08:30 – 17:30)
- For more information, please contact gorenje or visit our website www.gorenje.com

gorenje

BY

ora ito

www.gorenje.com

www.parsital.com

Gorenje AEC Co., Ltd.

Regional Head Office
Liberty Square Bldg., 12th floor, unit 1206
287 Silom Road Bangrak, Bangkok, Thailand 10500

+662 631-1675 info.aec@gorenje.com gorenje.thailand

Australia • Belgium • China • Denmark • France • Germany • HongKong • Japan • Korea • Russia • Switzerland • Taiwan • Thailand • United Kingdom