



DUALFLOW PLUS

a handdryer for a new generation

Dualflow Plus M14 is probably the most eco friendly "hands-in" type of dryer on the market. Stylish designed for safe, fast and economical use in all washrooms with high or low volume traffic. Dualflow plus offers great features at a competitive price.



BIOCOTE

Antimicrobial technology is embedded to protect surfaces on the dryer in contact with the water



4 Air nozzles
For fastest hand drying



Luminous frontal leds
For a quick diagnosis of the hand dryer status

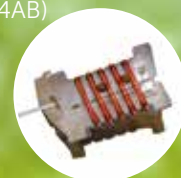
*dries hands
in 10-15
seconds*



3 most popular finishes
In white (M14A), satin (M14ACS) or black (M14AB)



Water from hands is collected
No hazardous water waste on the floor



Heating element
For maximum comfort



Variable speed
Energy consumption, noise level and drying time are adjustable



Drainpipe connection
First hand dryer directly connected to the drainpipe (Optional)



On/Off switch for heating element
Option to turn on/off the heating element



Air-freshener tablet
For a clean and fresh washroom (Optional)



H13 HEPA filter
To prevent growth of a wide of microorganism circulating in the air



Removable water tank
With external valve for easy emptying



Over **73%** saving
in energy consumption
compared to equivalent dryers

COMPARATIVE CONSUMPTION - SAVING dualflow plus vs similar "Hands-in" hand dryers from other brands

	Wattage	Consumption €/Minute*	Consumption €/Hour*	Economical saving Dualflow® Plus vs competitors %
Other U-shape dryer	1600	0.004	0.251	73.71 %
Asian "hands-in"	1750	0.005	0.274	75.71 %
Dualflow® plus dryer	420	0.001	0.066	

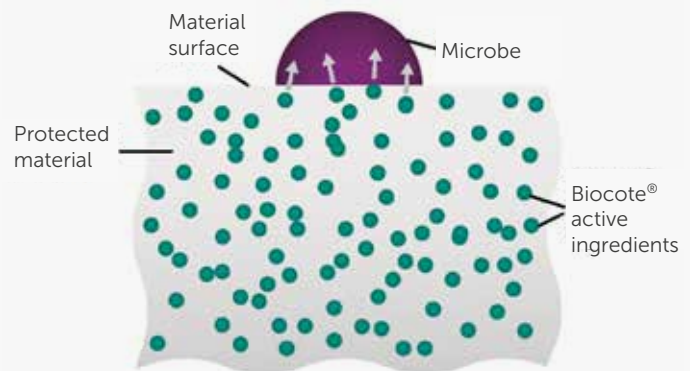
*Calculation basis 0.156674 eur/Kwh (VAT and taxes not included)

HYGIENE

Biocote® Antimicrobial Technology

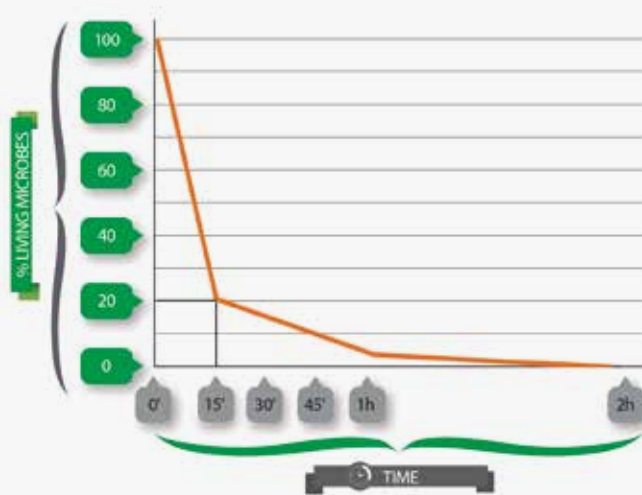
The Dualflow Plus incorporates BioCote® technology in additive form. This additive is incorporated at the time of manufacture of the machine's components that are in direct contact with the water and provides continuous antimicrobial protection.

The active ingredient on the surface of a material treated with a BioCote® additive attaches to the microbes that come into direct contact with the machine's surface, it then attacks and inhibits their reproductive function. On not being able to reproduce, the microbes gradually die off and disappear from the surface of the hand dryer.



Biocote® Antimicrobial Protection:

- Removes 80% of microbes in 15 minutes
- Removes 99.9% of microbes in 2 hours
- Remains active until the end of the useful life of the product
- It is effective against bacteria, fungi and some viruses
- It acts continuously and relentlessly.



The level of microbes on a BioCote® protected surface is reduced up to 99.5% in two hours, compared to an untreated one. BioCote® technology starts to have an effect after just 15 minutes.



NOTE: BioCote® technology does not protect users or others against disease causing bacteria, germs, viruses or other harmful organisms. This technology is not a substitute for good hygiene and/or cleaning practises.

HEPA H13 Filter

The Dualflow Plus incorporates a HEPA 13 filter as standard that filters solid particles in suspension in the air, which significantly improves its quality. HEPA stands for "High Efficiency Particle Arrestance". It is a high-capacity filter that can trap a very high number of micro-particles such as pollen, dust mites and tobacco smoke.

- Blocks 99.95% of 0.3 µm particles
- Blocks smells (carbon filter)
- 100% resistant to moisture
- Maximum working temperature 70°C
- Cannot be washed

The HEPA filter removes more than 99.95% of particles larger than 0.3 microns in size (particles approximately 300 times smaller than the diameter of a human hair)

The HEPA 13 filter, in accordance with standard EN 1822:2009, has the following characteristics:



HAND DRYERS dualflow[®] plus

sensor operated



M14A

material: ABS
finish: white



M14AB

material: ABS
finish: black



M14ACS

material: ABS
finish: satin



M14A · M14AB · M14ACS COMPONENTS AND MATERIALS

- High speed Class F universal brush motor.
- ABS cover
- Motor power adjustable, allowing electricity consumption to be regulated
- Minimum Heating element (only 400W) with switch "on/off" option
- IR sensors in both sides for automatic hands detection
- H13 HEPA filte, efficient to MPPS* > 99,95%, penetration at the MPPS* of 0,05%. Humidity resistance 100%
- Inner tank to collect the water. Removable water tank, with external valve for easy emptying
- Acoustic and optical warning of full water tank
- Frontal leds showing the status of the hand dryer
- Proven antimicrobial and antibacterial protection using silver ion technology from Biocote[®], resisting the growth of microbes e.g. bacteria and moulds, complementing the cleaning routines
- An optional odor neutralizer for a cleaner and more pleasant atmosphere in the bathroom is available (Ref. RC POM 14)

*MPPS: Most penetrating particle size



Optionally, and by means of a kit for the connection to the waste pipe, code KITDESM14A, the dualflow[®] plus can be connected directly to the waste pipe. Thus the emptying of the water tank is eliminated because the water always goes directly to the waste pipe

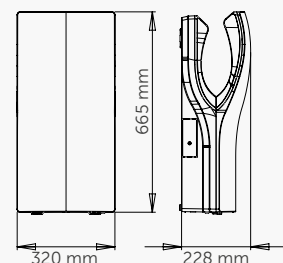


Kit for the connection to the waste pipe KITDESM14A

M14A · M14AB · M14ACS TECHNICAL SPECIFICATIONS

Voltage	220- 240V
Frequency	50/60Hz
Electrical Isolation	Class I
Total power	420 – 1,500W
Consumption	3.2 – 6.4A
Motor power	420 – 1,100W
Rpm	19,000 – 30,000
Heating element power	0W or 400W (on/off switch)

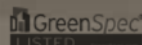
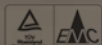
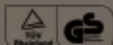
Weight	8.3Kg
Cover thickness	3mm
Drying time	8-15sec
Air velocity	234 – 410Km/h
Air temperature (10 cm distance/21°C)	40°C
Sound pressure (at 2m)	62 – 72dBA
Protection rating	IPX4



MACHFLOW

Technology, robustness, compact design and quality at the service of hand drying

- Ultra-fast drying speed (8-15 seconds)
- Low energy consumption (1.8-4.2 W/h per drying cycle)
- Very low CO₂ emissions level to the atmosphere
- Low noise pollution (67-74dBA)
- Adjustable high speed motor (19,000-30,000 rpm)
- Switch for turning the heating element on and off easily
- Easy maintenance
- Fast install/uninstall technology to the wall (optional).
- Solid and compact



MACHFLOW

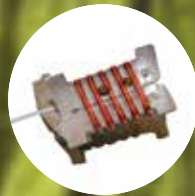
pure strenght

Fast, tough, smart and most energy efficient eco high-speed hand dryer fully adjustable to individual needs. Designer for saving money and time in hand drying.

*dries hands
in 10-15
seconds*



Air-freshener tablet.
For a clean and fresh bathroom
(Optional)



Heating element
For a maximum comfort



Silentblocks
In the base plate to cushion
mechanical vibrations



**On/Off switch for the
heating element**
Option to turn on/off the
heating element



**The machflow® Plug-in
technology** is an easy, practical,
fast and secure system to install
and uninstall the hand dryer
(optional)



Variable speed.
Energy consumption, noise
level and drying time are
adjustable



Hands distance detection
Electronic infrared detection sensor
adjustable by means of a
potentiometer



**available
in four
finishes**



White



Black



Bright



Satin

HAND DRYERS machflow®

sensor operated



M09A

material: **steel**
finish: **white epoxy**

ALSO AVAILABLE IN BLUE ANGEL VERSION



M09AB

material: **steel**
finish: **matte black epoxy**

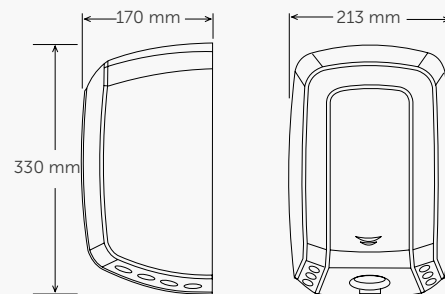
ALSO AVAILABLE IN BLUE ANGEL VERSION

M09A · M09AB COMPONENTS AND MATERIALS

- Maximum air velocity: 325 Km/h
- One-piece weld-free cover
- The base includes silent-blocks to cushion mechanical vibrations
- Class F high pressure universal brush motor
- Motor power is adjustable, allowing electricity consumption to be regulated
- PA6 V0 internal set
- Disconnects automatically after 60 seconds of continuous use
- Minimum Heating element (only 400W) with switch "on/off" option
- Fast install/uninstall technology to the wall (optional). Plug-in system
- Electronic infrared detection sensor Detection distance adjustable by potentiometer (5 - 25 cm)
- An optional odor neutralizer for a cleaner and more pleasant atmosphere is available (Ref. RCPOM14)

M09A · M09AB TECHNICAL SPECIFICATIONS

Voltage	220 - 240 V
Frequency	50 / 60 Hz
Electrical Isolation	Class I
Total power	420 - 1,500 W
Consumption	3.2 - 6.4 A
Motor power	420 - 1,100 W
r.p.m.	19,000 - 30,000
Heating element power	0 W or 400 W (on / off switch)
Weight	5.1 Kg
Cover thickness	1.5 mm
Drying time	8 - 15 sec
Air velocity	191 - 325 Km/h
Air temperature (10 cm distance / 21°C)	45°C
Sound pressure (at 2m)	67 - 74 dBA
Protection rating	IP23



HAND DRYERS machflow®

sensor operated



M09AC

material: AISI 304 stainless steel
finish: **bright**

ALSO AVAILABLE IN BLUE ANGEL VERSION

NEW FEATURES

325 km/h

Icons: 3 people, plug, wheelchair, hammer, screwdriver, wrench, 32



M09ACS

material: AISI 304 stainless steel
finish: **satin**

ALSO AVAILABLE IN BLUE ANGEL VERSION

NEW FEATURES

325 km/h

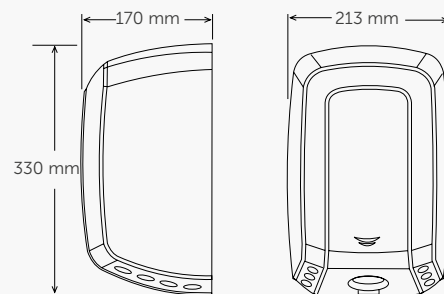
Icons: 3 people, plug, wheelchair, hammer, screwdriver, wrench, 32

M09AC · M09ACS COMPONENTS AND MATERIALS

- Maximum air velocity: 325 Km/h
- One-piece weld-free cover
- The base includes silent-blocks to cushion mechanical vibrations
- Class F high pressure universal brush motor
- Motor power is adjustable, allowing electricity consumption to be regulated
- PA6 V0 internal set
- Disconnects automatically after 60 seconds of continuous use
- Minimum Heating element (only 400W) with switch "on/off" option
- Fast install/uninstall technology to the wall (optional). Plug-in system
- Electronic infrared detection sensor Detection distance adjustable by potentiometer (5 - 25 cm)
- An optional odor neutralizer for a cleaner and more pleasant atmosphere is available (Ref. RCPOM14)

M09AC · M09ACS TECHNICAL SPECIFICATIONS

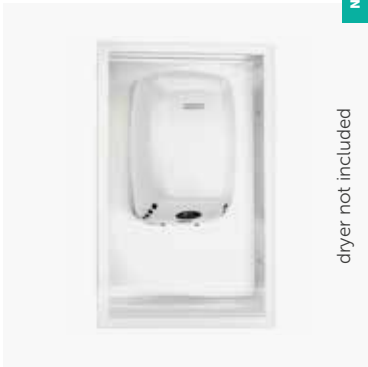
Voltage	220 - 240 V
Frequency	50 / 60 Hz
Electrical Isolation	Class I
Total power	420 - 1,500 W
Consumption	3.2 - 6.4 A
Motor power	420 - 1,100 W
r.p.m.	19,000 - 30,000
Heating element power	0 W or 400 W (on / off switch)
Weight	5.1 Kg
Cover thickness	1.5 mm
Drying time	8 - 15 sec
Air velocity	191 - 325 Km/h
Air temperature (10 cm distance / 21°C)	45°C
Sound pressure (at 2m)	67 - 74 dBA
Protection rating	IP23



HAND DRYERS machflow®

recessed kit

NEW



dryer not included

KT009
recessed kit

material: **steel**
finish: **white epoxy**

✓
♿
⚙️
24h



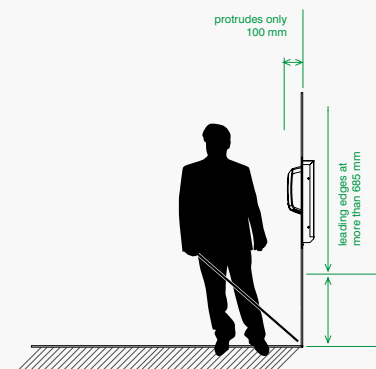
dryer not included

KT009CS
recessed kit

material: **AISI 304 stainless steel**
finish: **satin**

✓
♿
⚙️
24h

- The American with Disabilities Act (ADA) defines the accessible requirements for the design of washroom spaces in the USA
- In chapter 3: "Protruding objects", point 307.2 "Protrusion limits" ADA says: objects above the finish floor or ground shall protrude 100 mm maximum horizontally into the circulation path.
- The Speedflow has been designed to fully comply with these recommendations.

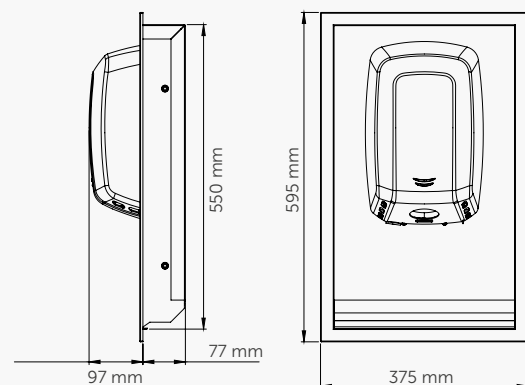


Wall box is fabricated of two welded parts. The dryer mounting areas is fabricated of 1 mm 18-8 type AISI 304 stainless steel, it includes 4 M5 bolts welded on top of the base plate for fitting of the machflow® hand dryer. The frame is fabricated of 0,7 mm 18-8 type AISI 304 stainless steel with 4 screw holes of Ø6,5 mm for mounting on the wall.

Nuts and bolts for the fitting of the hand dryer to the kit included: 4 nuts DIN 934 M5, 4 washers DIN 9021 M5 and 4 rubber silent blocks 8 x 18 mm.

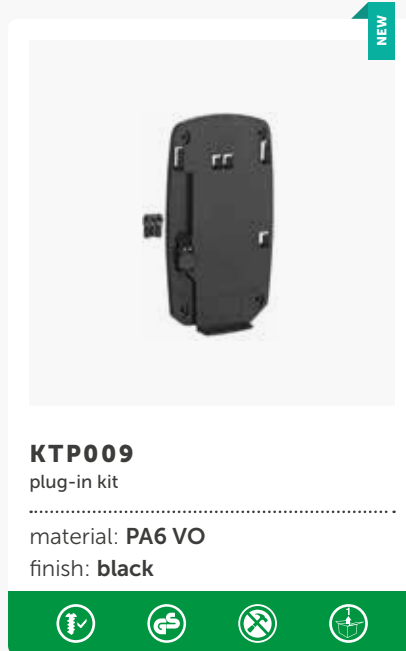
NOTE: the screws and wall plugs for the mounting of the cabinet to the wall are not included. The use of stainless steel screws is recommended.

Weight: 3 Kg (6,6 lbs) without machflow® hand dryer.



HAND DRYERS machflow®

plug-in kit



The machflow® Plug-in technology is an easy, practical, fast and secure system to install and uninstall a hand dryer, making maintenance much more efficient and reducing at the same time its costs.

With the machflow® Plug-in technology a hand dryer can be installed in only three main steps, it can be replaced in less than 10 seconds thanks to its SMED (Single-Minute Exchange of Die) system, its maintenance can be carried out better at the maintenance workshop and it is totally secure against electric shocks. All of these benefits allow you to reduce the maintenance costs.



Benefits of the Plug-in system

- The machflow® Plug-in technology makes the hand dryer installation easier. With this technology it is only needed three main steps to carry it out, as follows:

Step 1.
Wall
base plate
fixation



Step 2.
Assembly
of the
safety
socket



Step 3.
Hand dryer
installation
to the wall



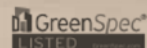
- Ready to work 24/7 with the machflow® Plug-in technology. The replacement of the hand dryer for maintenance purposes is straightforward (the hand dryer can be replaced in less than 10 seconds thanks to its SMED system) and it is not necessary to be carried out by a qualified technician (the plug and the socket used by the machflow® Plug-in technology are totally electrical isolated).
- Reduction of the maintenance costs thanks to: easy installation of the hand dryer, its quick replacement and the possibility to carry out maintenance operations at the maintenance workshop.
- Secure against electric shocks with the machflow® Plug-in technology. Electrical connections are much more secure with the machflow® Plug-in technology than the traditional electrical connection systems, because it avoids the risk of users accidentally touching energized conductors and thereby experiencing electric shock.



SPEEDFLOW

Versatile design, durable, modern and elegant

- Fast drying time (10-12 seconds)
- Very low energy consumption (0.5 - 3.2 W/h) per drying cycle
- Adjustable high speed motor (8,500-11,200 rpm)
- Universal voltage (110 - 240 V)
- Heating element turned off by means of a jumper.
- Meets ADA regulations (projects just 100 mm from the wall)
- Vandal proof



SPEEDFLOW

high-speed elegance

This especially stylish dryer is highly powerful despite its unique flat design.



Heating element
For maximum comfort



Global Universal voltage
Accepts 110-120/208/
220-240 VAC input



Silentblocks
In the base plate to cushion
mechanical vibrations



ON / OFF jumper for heating element
Option to turn on/off the heating element



Ultraflat design
Protrudes only 10cm
from the wall



Hands distance detection
Electronic infrared detection
sensor adjustable by means
of a potentiometer

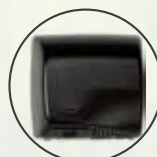


Variable speed
Energy consumption, noise level and
drying time are adjustable

**available
in four
finishes**



White



Black



Bright



Satin

HAND DRYERS speedflow®

sensor operated



180 km/h

M06A

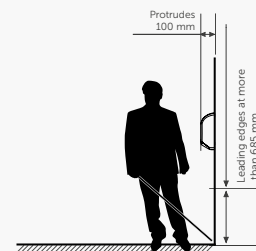
material: **steel**
finish: **white epoxy**



180 km/h

M06AB

material: **steel**
finish: **matte black epoxy**



- The American with Disabilities Act (ADA) defines the accessible requirements for the design of washroom spaces in the USA
- In chapter 3: "Protruding objects", point 307.2 "Protrusion limits" ADA says: objects above the finish floor or ground shall protrude 100 mm maximum horizontally into the circulation path.
- The Speedflow has been designed to fully comply with these recommendations.

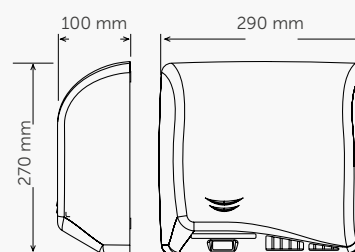
M06A · M06AB COMPONENTS AND MATERIALS

- Weld-free cover fixed to the base with two safety screws and lock with special speedflow® key
- Aluminium base. Includes silent-blocks to damp mechanical vibrations
- Fire resistant plastic fan scroll
- High-speed motor with safety thermal cut-off
- Aluminium centrifugal double asymmetrical inlet fan wheel
- Speed motor adjustable by means of a potentiometer
- Disconnection of the heating element (H.E) by means of a jumper
- Disconnects automatically after 60 seconds of continuous use
- Electronic infrared detection sensor. Adjustable detection by potentiometer (5 - 25 cm)
- Ultra-flat: 10 cm deep (complies with ADA regulations)
- The electronic control unit detects whether the motor brushes have worn out, turning off the hand dryer as an additional safety measure
- Universal voltage

M06A · M06AB TECHNICAL SPECIFICATIONS

Voltage	100-120 V, 208 V, 220-240 V
Frequency	50 / 60 Hz
Electrical Isolation	Class I
Total power (heating el. ON)	1,010 W - 1,150 W
Total power (heating el. OFF)	110 - 250 W
Consumption	1.3-5 A (230 V)
Motor power	110 - 250 W
r.p.m.	8,500 - 11,200

Heating element power	0 or 900W (on/off jumper)
Weight	3.8 Kg
Cover thickness	1.5 mm
Drying time	10 - 12 sec
Air velocity	120 - 180 Km
Air temp. (10 cm distance / 21°C)	42 °C
Sound pressure (at 2 m)	58 - 67 dBA
Protection rating	IP23



HAND DRYERS speedflow®

sensor operated



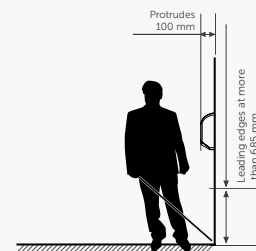
M06AC

material: **AISI 304 stainless steel**
finish: **bright**



M06ACS

material: **AISI 304 stainless steel**
finish: **satin**



- The American with Disabilities Act (ADA) defines the accessible requirements for the design of washroom spaces in the USA
- In chapter 3: "Protruding objects", point 307.2 "Protrusion limits" ADA says: objects above the finish floor or ground shall protrude 100 mm maximum horizontally into the circulation path.
- The Speedflow has been designed to fully comply with these recommendations.

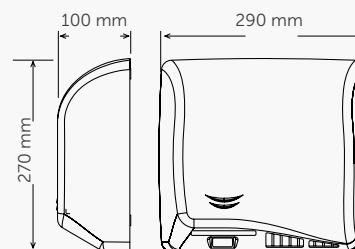
M06AC · M06ACS COMPONENTS AND MATERIALS

- Weld-free cover fixed to the base with two safety screws and lock with special speedflow® key
- Aluminium base. Includes silent-blocks to damp mechanical vibrations
- Fire resistant plastic fan scroll
- High-speed motor with safety thermal cut-off
- Aluminium centrifugal double asymmetrical inlet fan wheel
- Speed motor adjustable by means of a potentiometer
- Disconnection of the heating element (H.E) by means of a jumper
- Disconnects automatically after 60 seconds of continuous use
- Electronic infrared detection sensor. Adjustable detection by potentiometer (5 - 25 cm)
- Ultra-flat: 10 cm deep (complies with ADA regulations)
- The electronic control unit detects whether the motor brushes have worn out, turning off the hand dryer as an additional safety measure
- Universal voltage

M06AC · M06ACS TECHNICAL SPECIFICATIONS

Voltage	100-120 V, 208 V, 220-240 V
Frequency	50 / 60 Hz
Electrical Isolation	Class I
Total power (heating el. ON)	1,010 W - 1,150 W
Total power (heating el. OFF)	110 - 250 W
Consumption	1.3-5 A (230 V)
Motor power	110 - 250 W
r.p.m.	8,500 - 11,200

Heating element power	0 or 900W (on/off jumper)
Weight	3.8 Kg
Cover thickness	1.5 mm
Drying time	10 - 12 sec
Air velocity	120 - 180 Km
Air temp. (10 cm distance / 21°C)	42 °C
Sound pressure (at 2 m)	58 - 67 dBA
Protection rating	IP23



HIGH TRAFFIC RANGE

Reliable, durable, vandal proof, safe and quality HAND DRYERS

Saniflow® and Mediflow® are the two hand dryer families from the Mediclinics high traffic range. They are characterised by an easy maintenance design, by their vandal proof features, by their robustness, but, above all, by their great reliability. These hand dryers were conceived to offer excellent performance over many years in very high traffic areas, such as airports, sports stadiums, shopping centres, sports centres, etc.

Due to their low noise level during operation, these hand dryers are also ideal for installation in places where quiet is important, such as museums, libraries, cinemas, theatres, etc.



SANIFLOW

A classic, robust and reliable design for the 21st century.

- High speed and long lasting motors that provide a stable and constant air flow that guarantees full drying of the hands in a few seconds.
- Robust, reliable and high quality hand dryer
- One of the most powerful air flows on the market, within its class of machine
- The heating element and the motor have built-in safety thermal cut-off
- Chromed 360° rotating nozzle
- Manual or automatic operating options
- Vandal proof
- Easy cleaning and maintenance



HAND DRYERS saniflow®

push-button



E05

material: **steel**
finish: **white epoxy**



E05B

material: **steel**
finish: **matte black epoxy**



E05C

material: **AISI 304 stainless steel**
finish: **bright**



E05CS

material: **AISI 304 stainless steel**
finish: **satin**

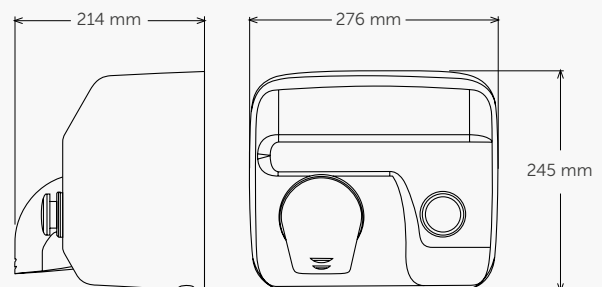


E05 · E05B · E05C · E05CS COMPONENTS AND MATERIALS

- Weld-free cover fixed to the base with two vandal-proof lock screws and a special saniflow® key
- 3 mm thick aluminium base
- Fire resistant plastic fan scroll
- Class F universal brush motor incorporating a safety thermal cut-off
- Aluminium centrifugal double symmetrical inlet fan wheel
- The heating element includes a safety thermal cut-off
- 360° revolving nozzle in chrome-plated zamak
- Chrome-plated zamak button activates an electronic timer with a 35-second cycle
- Four silent-blocks to minimise vibrations and noise

E05 · E05B · E05C · E05CS TECHNICAL SPECIFICATIONS

Voltage	220 - 240 V
Frequency	50 / 60 Hz
Electrical Isolation	Class I
Total power	2,250 W
Consumption	10 A
Motor power	250 W
r.p.m.	5,500
Heating element power	2,000 W
Weight	4.65 Kg
Cover thickness	1.5 mm
Drying time	29 sec
Air velocity	100 Km/h
Air temperature (10 cm distance / 21°C)	50°C
Sound pressure (at 2m)	68 dBA
Protection rating	IP23



HAND DRYERS saniflow®

push-button / sensor operated



E85

material: **cast iron**
finish: **white enamelled coating**



E85A

material: **cast iron**
finish: **white enamelled coating**



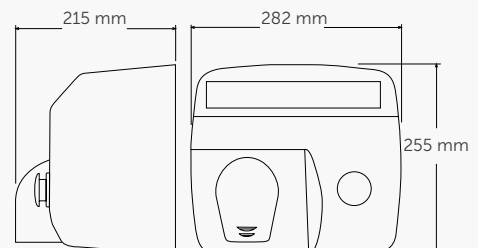
E85 · E85A COMPONENTS AND MATERIALS

- Weld-free cover fixed to the base with two vandal-proof lock screws and a special saniflow® key
 - 3 mm thick aluminium base
 - Fire resistant plastic fan scroll
 - Class F universal brush motor incorporating a safety thermal cut-off
 - Aluminium centrifugal double symmetrical inlet fan wheel
 - The heating element includes a safety thermal cut-off
 - Includes 4 silent-blocks to minimise vibrations and noise
 - 360° revolving nozzle in chrome-plated zamak
- E85**
- The chrome-plated zamak button activates an electro-mechanic timer with a 35-second cycle
- E85A**
- Electronic infrared detection sensor
 - Adjustable detection distance 15-25 cm

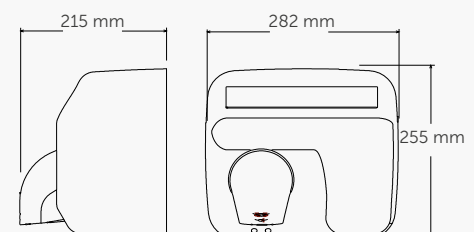
E85 · E85A TECHNICAL SPECIFICATIONS

Voltage	220 - 240 V
Frequency	50 / 60 Hz
Electrical Isolation	Class I
Total power	2,250 W
Consumption	10 A
Motor power	250 W
r.p.m.	5,500
Heating element power	2,000 W
Weight	11.5 Kg
Cover thickness	6 mm
Drying time	29 sec
Air velocity	100 Km/h
Air temperature (10 cm distance / 21°C)	50°C
Sound pressure (at 2m)	68 dBA
Protection rating	IP23

E85



E85A



HAND DRYERS saniflow®

push-button



E88

material: **steel**
finish: **white enamelled coating**



E88B

material: **steel**
finish: **black enamelled coating**



E88C

material: **steel**
finish: **bright chrome**



E88CS

material: **steel**
finish: **satin chrome**

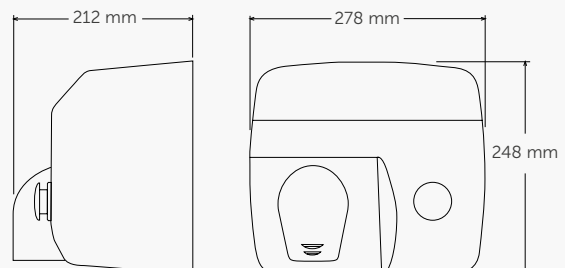


E88 · E88B · E88C · E88CS COMPONENTS AND MATERIALS

- Weld-free cover fixed to the base with two vandal-proof lock screws and a special saniflow® key
- 3 mm thick aluminium base
- Fire resistant plastic fan scroll
- Class F universal brush motor incorporating a safety thermal cut-off
- Aluminium centrifugal double symmetrical inlet fan wheel
- The heating element includes a safety thermal cut-off
- Includes 4 silent-blocks to minimise vibrations and noise
- 360° revolving nozzle
- The button activates an electro-mechanic timer with a 35-second cycle

E88 · E88B · E88C · E88CS TECHNICAL SPECIFICATIONS

Voltage	220 - 240 V
Frequency	50 / 60 Hz
Electrical Isolation	Class I
Total power	2,250 W
Consumption	10 A
Motor power	250 W
r.p.m.	5,500
Heating element power	2,000 W
Weight	5.9 Kg
Cover thickness	1.5 mm
Drying time	29 sec
Air velocity	100 Km/h
Air temperature (10 cm distance / 21°C)	50°C
Sound pressure (at 2m)	68 dBA
Protection rating	IP23



HAND DRYERS saniflow®

push-button / sensor operated



E880

material: **steel**
finish: **gold plated**



E88AO

material: **steel**
finish: **gold plated**

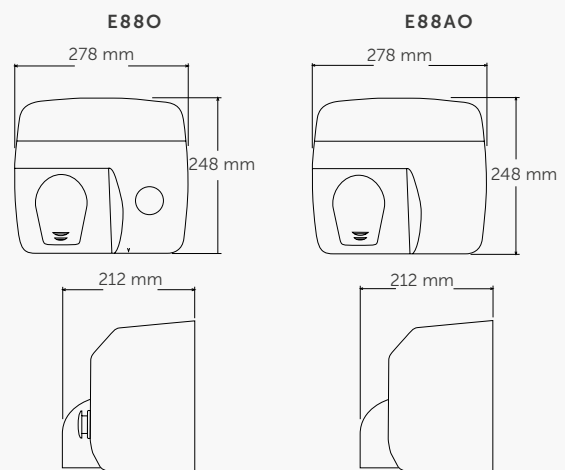


E880 · E88AO COMPONENTS AND MATERIALS

- Weld-free cover fixed to the base with two vandal-proof lock screws and a special saniflow® key
 - 3 mm thick aluminium base
 - Fire resistant plastic fan scroll
 - Class F universal brush motor incorporating a safety thermal cut-off
 - Aluminium centrifugal double symmetrical inlet fan wheel
 - The heating element includes a safety thermal cut-off
 - Includes 4 silent-block to minimise vibrations and noise
 - 360° revolving nozzle
- E880**
- The button activates an electro-mechanic timer with a 35-second cycle
- E88AO**
- Electronic infrared detection sensor
 - Adjustable detection distance 15-25 cm

E880 · E88AO TECHNICAL SPECIFICATIONS

Voltage	220 - 240 V
Frequency	50 / 60 Hz
Electrical Isolation	Class I
Total power	2,250 W
Consumption	10 A
Motor power	250 W
r.p.m.	5,500
Heating element power	2,000 W
Weight	5.9 Kg
Cover thickness	1.5 mm
Drying time	29 sec
Air velocity	100 Km/h
Air temperature (10 cm distance / 21°C)	50°C
Sound pressure (at 2m)	68 dBA
Protection rating	IP23



HAND DRYERS saniflow®

sensor operated



E88A

material: **steel**
finish: **white enamelled coating**



E88AB

material: **steel**
finish: **black enamelled coating**



E88AC

material: **steel**
finish: **bright chrome**



E88ACS

material: **steel**
finish: **satin chrome**

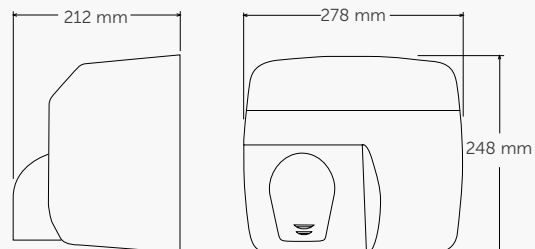


E88A · E88AB · E88AC · E88ACS COMPONENTS AND MATERIALS

- Weld-free cover fixed to the base with two vandal-proof lock screws and a special saniflow® key
- 3 mm thick aluminium base
- Fire resistant plastic fan scroll
- Class F universal brush motor incorporating a safety thermal cut-off
- Aluminium centrifugal double symmetrical inlet fan wheel
- The heating element includes a safety thermal cut-off
- 360° revolving nozzle in chrome-plated zamak
- Electronic infrared detection sensor
- Adjustable detection distance 15-25 cm
- Four silent-blocks to minimise vibrations and noise

E88A · E88AB · E88AC · E88ACS TECHNICAL SPECIFICATIONS

Voltage	220 - 240 V
Frequency	50 / 60 Hz
Electrical Isolation	Class I
Total power	2,250 W
Consumption	10 A
Motor power	250 W
r.p.m.	5,500
Heating element power	2,000 W
Weight	5.9 Kg
Cover thickness	1.5 mm
Drying time	29 sec
Air velocity	100 Km/h
Air temperature (10 cm distance / 21°C)	50°C
Sound pressure (at 2m)	68 dBA
Protection rating	IP23



HAND DRYERS saniflow®

sensor operated



E05A



material: **steel**
finish: **white epoxy**



E05AB



material: **steel**
finish: **matte black epoxy**



E05AC



material: **AISI 304 stainless steel**
finish: **bright**



E05ACS



material: **AISI 304 stainless steel**
finish: **satin**

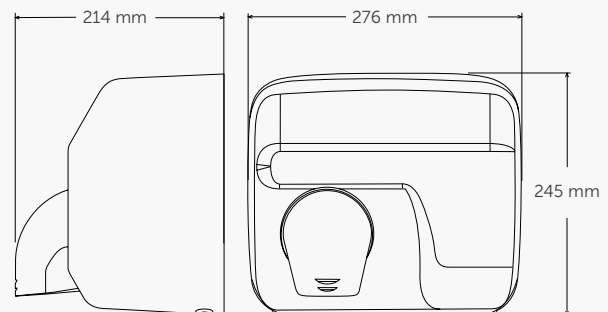


E05A · E05AB · E05AC · E05ACS COMPONENTS AND MATERIALS

- Weld-free cover fixed to the base with two vandal-proof lock screws and a special saniflow® key
- 3 mm thick aluminium base
- Fire resistant plastic fan scroll
- Class F universal brush motor incorporating a safety thermal cut-off
- Aluminium centrifugal double symmetrical inlet fan wheel
- The heating element includes a safety thermal cut-off
- 360° revolving nozzle in chrome-plated zamak
- Electronic infrared detection sensor
- Adjustable detection distance 15-25 cm

E05A · E05AB · E05AC · E05ACS TECHNICAL SPECIFICATIONS

Voltage	220 - 240 V
Frequency	50 / 60 Hz
Electrical Isolation	Class I
Total power	2,250 W
Consumption	10 A
Motor power	250 W
r.p.m.	5,500
Heating element power	2,000 W
Weight	4.65 Kg
Cover thickness	1.5 mm
Drying time	29 sec
Air velocity	100 Km/h
Air temperature (10 cm distance / 21°C)	50°C
Sound pressure (at 2m)	68 dBA
Protection rating	IP23



HAND DRYERS saniflow®

recessed kit for push-button operated models



dryer not included

KT0005

material: **steel**
finish: **white epoxy**



dryer not included

KT0005C

material: **AISI 304 stainless steel**
finish: **bright**



dryer not included

KT0005CS

material: **AISI 304 stainless steel**
finish: **satın**



KT0005 · KT0005C · KT0005CS COMPONENTS AND MATERIALS

- Electro-zincd iron cabinet for mounting the saniflow® dryer on the wall
- Grey rubber seal provides reinforced external protection that minimises vibrations and noise
- Nuts and bolts for assembling the dryer and fitting the frame to the wall are included

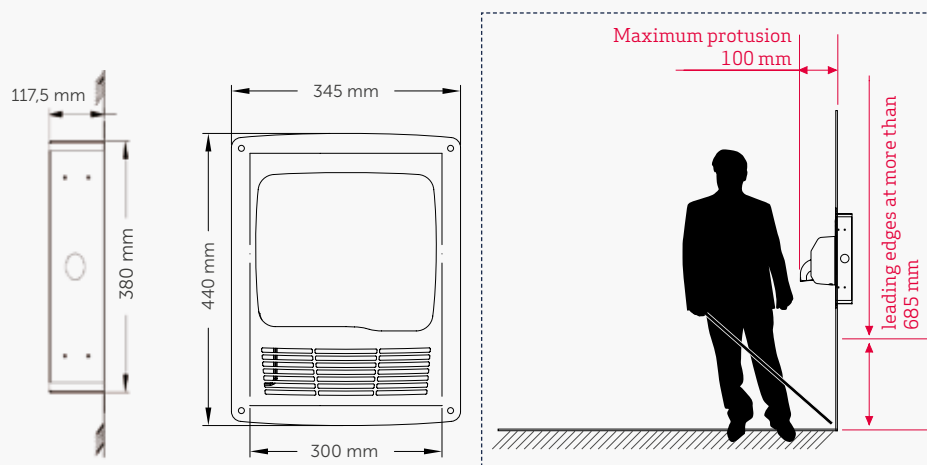
KT0005

- Steel frame

KT0005C · KT0005CS

- AISI 304 stainless steel frame

KT0005 · KT0005C · KT0005CS TECHNICAL SPECIFICATIONS



The hand dryer and wall mounign kit protrude 90 mm horizontally in compliance with the American ADA standards that restrict the horizontal projection of devices installed in public wahsrooms to 100 mm.



MEDIFLOW

Intelligent, quiet and modern

- Powerful, robust and reliable hand dryer
- One of the quietest machines in its category (only 65 dBA)
- The heating element and the motor have built-in safety thermal cut-off
- "Logic Dry" intelligent system that adapts the outlet air flow temperature to the ambient temperature (M02 models)
- Automatic operation which prevents having to touch the machine
- Adjustable hand detection distance using a potentiometer
- Easy cleaning and maintenance



HAND DRYERS mediflow® intelligent

sensor operated



M02A

material: **steel**
finish: **white epoxy**



M02AB

material: **steel**
finish: **matte black epoxy**



M02AC

material: **AISI 304 stainless steel**
finish: **bright**



M02ACS

material: **AISI 304 stainless steel**
finish: **satin**

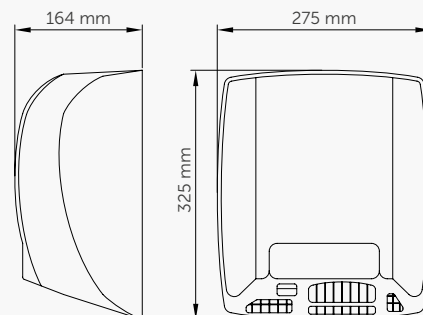


M02A · M02AB · M02AC · M02ACS COMPONENTS AND MATERIALS

- The cover is fixed to the base with two screws
- Base and fan scroll fire resistant plastic. Includes silent-blocks to prevent mechanical vibrations
- Class F universal brush motor incorporating a safety thermal cut-off
- Aluminium centrifugal double asymmetrical inlet fan wheel
- Heating element incorporates a safety thermal cut-off
- Selective detection of fixed targets and system of automatic disconnection after 120 seconds of continuous use
- Electronic infrared detection sensor
- Adjustable detection distance by potentiometer 5 - 25 cm
- The technology **LogicDry** automatically regulates the temperature of the air output between four possible levels, depending on the room temperature, managing electricity consumption to offer significant energy savings

M02A · M02AB · M02AC · M02ACS TECHNICAL SPECIFICATIONS

Voltage	220 - 240 V
Frequency	50 / 60 Hz
Electrical Isolation	Class II
Total power	250 - 2,750 W
Consumption	1.2 - 12 A
Motor power	250 W
r.p.m.	4,500
Heating element power	0 - 2,500 W
Weight	4.25 Kg
Cover thickness	1.5 mm
Drying time	29 sec
Air velocity	95 Km/h
Air temperature (10 cm distance / 21°C)	50°C
Sound pressure (at 2m)	65 dBA
Protection rating	IP23



HAND DRYERS mediflow®

sensor operated



M03A

material: **steel**
finish: **white epoxy**



M03AB

material: **steel**
finish: **matte black epoxy**



M03AC

material: **AISI 304 stainless steel**
finish: **bright**



M03ACS

material: **AISI 304 stainless steel**
finish: **satin**

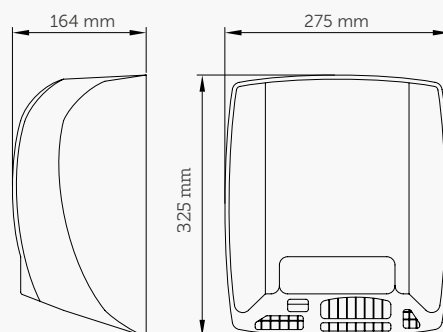


M03A · M03AB · M03AC · M03ACS COMPONENTS AND MATERIALS

- The cover is fixed to the base with two screws
- Base and fan scroll in fire resistant plastic. Includes silent-blocks to cushion mechanical vibrations
- Class F universal brush motor incorporating a safety thermal cut-off
- Aluminium centrifugal double asymmetrical inlet fan wheel
- Heating element incorporating an safety thermal cut-off
- Electronic infrared detection sensor
- Adjustable detection distance by potentiometer 5 - 25 cm

M03A · M03AB · M03AC · M03ACS TECHNICAL SPECIFICATIONS

Voltage	220 - 240 V
Frequency	50 / 60 Hz
Electrical Isolation	Class II
Total power	2,750 W
Consumption	12 A
Motor power	250 W
r.p.m.	4,500
Heating element power	2,500 W
Weight	4.25 Kg
Cover thickness	1.5 mm
Drying time	29 sec
Air velocity	95 Km/h
Air temperature (10 cm distance / 21°C)	50°C
Sound pressure (at 2m)	65 dBA
Protection rating	IP23



HAND DRYERS mediflow®

recessed kit



dryer not included

KT0010

material: **steel**
finish: **white epoxy**



dryer not included

KT0010C

material: **AISI 304 stainless steel**
finish: **bright**



dryer not included

KT0010CS

material: **AISI 304 stainless steel**
finish: **satin**



KT0010 · KT0010C · KT0010CS COMPONENTS AND MATERIALS

- Cabinet in electro-zinc coated iron for installing the mediflow® hand dryer
- Grey rubber seal provides reinforced external protection, minimising vibrations and noise
- Nuts and bolts for mounting the dryer and its frame on the wall included

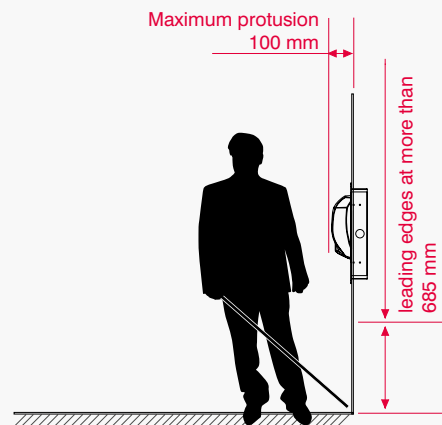
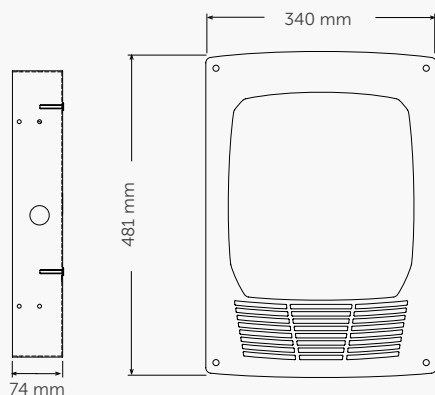
KT0010

- Steel frame

KT0010C · KT0010CS

- AISI 304 stainless steel frame

KT0010 · KT0010C · KT0010CS TECHNICAL SPECIFICATIONS



The hand dryer and wall mountign kit protrude 90 mm horizontally in compliance with the American ADA standards that restrict the horizontal projection of devices installed in public wahsrooms to 100 mm.



OPTIMA

A modern design for a reliable, quiet hand dryer with excellent performance.

- Zero maintenance thanks to its brushless motor. Easy to clean
- Hygienic thanks to its automatic operation that prevents having to touch the machine
- Adjustable hand detection distance
- One of the quietest machines in its category (only 57 dBA)
- The heating element and the motor have built-in safety thermal cut-off
- An ideal balance between performance and price



HAND DRYERS *optima*

sensor operated



M99A

material: **steel**
finish: **white epoxy**



M99AC

material: **AISI 304 stainless steel**
finish: **bright**



M99ACS

material: **AISI 304 stainless steel**
finish: **satin**

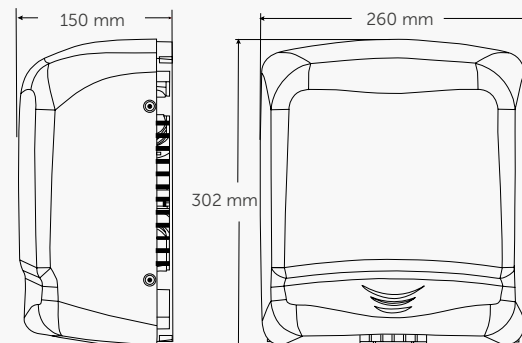


M99A · M99AC · M99ACS COMPONENTS AND MATERIALS

- Weld-free cover fixed to the base with 4 Allen bolts
- Base in ABS thermoplastic
- Thermoplastic fan wheel
- Class F induction motor incorporating a safety thermal cut-off
- PP UL 94-V0 centrifugal single inlet fan wheel
- Heating element incorporating a safety thermal cut-off
- Electronic infrared detection sensor
- Adjustable detection distance 5-25 cm
- Zamak air outlet grill

M99A · M99AC · M99ACS TECHNICAL SPECIFICATIONS

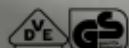
Voltage	220 - 240 V
Frequency	50 / 60 Hz
Electrical Isolation	Class II
Total power	1,640 W
Consumption	7 A
Motor power	140 W
r.p.m.	2,800
Heating element power	1,500 W
Weight	4.45 Kg
Cover thickness	1.5 mm
Drying time	38 sec
Air velocity	50 Km/h
Air temperature (10 cm distance / 21°C)	57°C
Sound pressure (at 2m)	57 dBA
Protection rating	IP21



JUNIORPLUS

Hand dryer with the cover manufactured in high impact ABS, with a very attractive quality-price ratio.

- Zero maintenance thanks to its brushless motor. Easy to clean
- Manual or automatic operating options
- Adjustable hand detection distance (M88APLUS)
- Quiet (only 57 dBA)
- Elegantly designed cover, manufactured in high impact ABS
- The heating element and the motor have built-in safety thermal cut-off
- Very attractive quality-price ratio



HAND DRYERS juniorplus

push-button / sensor operated



M88PLUS

material: **ABS**
finish: **white**



M88APLUS

material: **ABS**
finish: **white**



M88PLUS · M88APLUS COMPONENTS AND MATERIALS

M88PLUS · M88APLUS

- One-piece cover fixed to the base by four screws
- Base in ABS thermoplastic
- Thermoplastic fan wheel
- PP UL 94-V0 centrifugal single inlet fan wheel
- Class F induction motor incorporating a safety thermal cut-off
- Heating element incorporating a safety thermal cut-off

- Zamak air outlet grill

M88APLUS

- Electronic infrared detection sensor
- Adjustable detection distance 5 - 25 cm

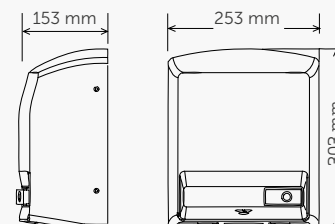
M88PLUS

- The button activates an electronic timer with a cycle of 45 seconds

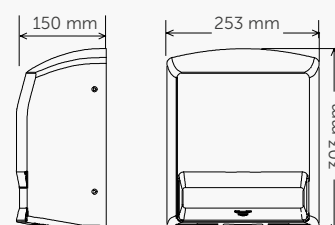
M88PLUS · M88APLUS TECHNICAL SPECIFICATIONS

Voltage	220 - 240 V
Frequency	50 / 60 Hz
Electrical Isolation	Class II
Total power	1,640 W
Consumption	7 A
Motor power	140 W
r.p.m.	2,800
Heating element power	1,500 W
Weight	3 Kg
Cover thickness	3 mm
Drying time	38 sec
Air velocity	50 Km/h
Air temperature (10 cm distance / 21°C)	57°C
Sound pressure (at 2m)	57 dBA
Protection rating	IP21

M88PLUS



M88APLUS





SMARTFLOW

Compact hand dryer, strong and at a very competitive price.

- Easy cleaning and maintenance
- Hygienic thanks to its automatic operation that prevents contact with the machine
- The heating element and the motor have built-in safety thermal cut-off
- Adjustable hand detection distance
- Quiet (67 dBA)
- Elegantly designed cover, manufactured in high impact ABS
- Economical



HAND DRYERS smartflow®

sensor operated



M04A

material: **ABS**
finish: **white**



M04AC

material: **ABS**
finish: **bright grey**



M04ACS

material: **ABS**
finish: **satin grey**

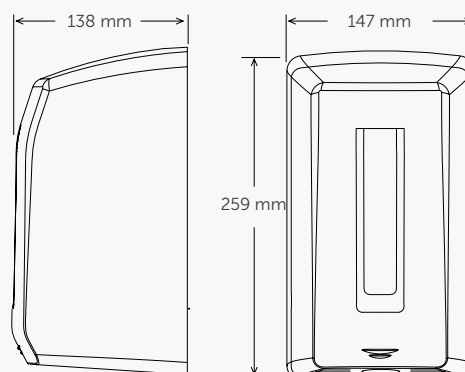


M04A · M04AC · M04ACS COMPONENTS AND MATERIALS

- One-piece cover in ABS thermoplastic. Fixed to the base by two screws
- Thermoplastic base
- Class B brush motor incorporating a safety thermal cut-off
- Helicoidal fan wheel
- Heating element incorporates a safety thermal cut-off
- Electronic infrared detection sensor
- Adjustable detection distance 5 - 25 cm

M04A · M04AC · M04ACS TECHNICAL SPECIFICATIONS

Voltage	220 - 240 V
Frequency	50 / 60 Hz
Electrical Isolation	Class II
Total power	1,100 W
Consumption	4.8 A
Motor power	150 W
r.p.m.	15,000
Heating element power	950 W
Weight	1.2 Kg
Cover thickness	3 mm
Drying time	39 sec
Air velocity	100 Km/h
Air temperature (10 cm distance / 21°C)	55°C
Sound pressure (at 2m)	67 dBA
Protection rating	IP23



HAND DRYERS

Table

New Generation Hand Dryers

Dualflow Plus



Machflow



Speedflow



Category	ECO-HIGH SPEED		
Application	HIGH TRAFFIC		
Drying time	8-15 "		
Estimated drying time	8-15" (eco 10-15")	8-15" (eco 10-15")	10-12"
Voltage / Frequency	220-240V 50/60Hz	220-240V 50/60Hz	100-240V 50/60Hz
Aislamiento eléctrico	Class I	Class I	Class I
Measurements	665 x 320 x 228 mm	330 x 213 x 170 mm	270 x 290 x 100 mm
Weight	8.3 Kg	5.1 Kg	3.8 Kg
Total power	420 - 1,500 W	420-1,500 W	1,010 - 1,150 W (H.E. on*) 110 - 250 W (H.E off)
Power consumption	3.2 A - 6.4 A	3.2 A - 6.4 A	4.2 A - 4.8 A (230 V) H.E. on 1.3 A - 2 A (230 V) H.E. off
Detection	Automatic	Automatic	Automatic
Cover			
Material	ABS	1. Stainless Steel 2. Steel	1. Stainless Steel 2. Steel
Finish	White / Black / Satin	1. Bright / Satin 2. White / Black epoxy	1. Bright / Satin 2. White / Black epoxy
Thickness	3 mm	1.5 mm	1.5 mm
Base:			
Material	PA6 V0	PA6 + 30% GF V0	Aluminium
Thickness	3 mm	3 mm	3 mm
Motor:			
Type	Vacuum universal brush motor	Vacuum universal brush motor	Universal brush motor
Class	F	F	A
Power	420 - 1,100 W	420 - 1,100 W	110 - 250 W
rpm	19,000-30,000 rpm	19,000-30,000 rpm	8,500-11,200 rpm
Bushes lifespan	1,500h / 600,000 serv (cicle=9")	1,500h / 600,000 serv (cicle=9")	1,500h / 450,000 serv (cicle=12")
Protection	Fuse on PCB	Fuse on PCB	Safety thermal cut-off auto-reset
Fan Wheel			
Tipo	Centrifugal, single inlet, high pressure	Centrifugal, single inlet, high pressure	Double inlet, centrifugal, asymetrical
Material	Aluminium	Aluminium	Aluminium
Caract. Fluidicas			
Effective air flow	94 - 165 m ³ /h (1,570-2,750 L/min)	121 - 190 m ³ /h (2,010 - 3,152 L/min)	70-96 m ³ /h (1,170-1,600 L/m)
Air velocity	234- 410 Km/h	191-325 Km/h	120-180 Km/h
Heating Element (H.E):			
Power	400W	400W	900 W
Wire	Ni-Crom	Ni-Crom	Ni-Crom
Protection	Safety thermal cut-off	Safety thermal cut-off	Safety thermal cut-off
Air temperature	40°C	40°C	42°C
Sound pressure	62-72dBA	67-74 dBA	58-67dBA
Protection level	IPX4	IP23	IP23
Disconnection (continuous use time)	30"	60"	60"
ADA	yes	w / recessed kit	yes



HAND DRYERS

Table



Traditional Hand Dryers

Saniflow



Mediflow



HEAVY DUTY	MODERN
HIGH - TRAFFIC	HIGH - TRAFFIC
20-30 "	20-30 "
29"	29"
220-240V 50/60Hz Class I 245x276x214 mm 248x278x212 mm 255x282x215 mm	220-240V 50/60Hz Class II 325x275x164 mm
4.65 / 5.9 / 11.5 Kg 2.250 W	4.25 Kg 250-2.750 W
10 A	1,1-12 A
Autom / Push - button	Autom / Push - button
1. Stainless steel 2. Steel 3. Cast iron 1. Bright / Satin 2. White / Black epoxy; White / Black enamelled; Bright / Satin / Gold plated 3. White enamelled	1. Stainless steel 2. Steel 1. Bright / Satin 2. White / Black epoxy
1.5 / 6 mm	1.5 mm
Aluminium 3 mm	PA 6 VO 3 mm
Universal brush motor F 250 W 5,500 rpm 1st set 1,500h/200,000 serv 2nd set 1,500h/ 200,000 serv (cycle=29") Safety thermal cut-off auto-reset	Universal brush motor F 250 W 4,500 rpm 1st set 1,500h/200,000 serv 2nd set 1,500h/ 200,000 serv (cycle=29") Safety thermal cut-off auto-reset
Double inlet, centrifugal, asymmetrical Aluminium	Double inlet, centrifugal, asymmetrical Aluminium
253 m ³ /h (4,248 L/m)	450 m ³ /h (7,500 L/m)
100 Km/h	95 Km/h
2,000 W Ni-Crom Safety thermal cut-off	0-2,500 W Cr-Al-Fe Banda Safety thermal cut-off
50°C	49°C
70dBA	65dBA
IP23	IP23
E05,E88: 36" E05A= 60" E88A: ---	M02A: 120" M03A: ---
w / recessed kit	w / recessed kit

Low Medium Traffic Range

Optima



Juniorplus



Smartflow




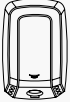


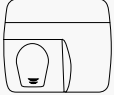
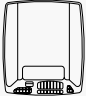

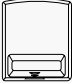

MONEY FOR VALUE		
MEDIUM TRAFFIC	LOW TRAFFIC	
30-40 "		
38"	38"	39"
220-240V 50/60Hz Class II 302x260x150 mm	220-240V 50/60Hz Class II 303x253x150 mm	220-240V 50/60Hz Class II 259x147x138 mm
4.45 Kg 1.640 W	3 Kg 1.640 W	1.2 Kg 1.100 W
7 A	7 A	4,8 A
Automatic	Autom/Push - button	Automatic
1. Stainless steel 2. Steel	ABS	ABS
1. Bright / Satin 2. White epoxy	White	1. White / Bright / Satin
1.5 mm	3 mm	3 mm
ABS VO 3 mm	ABS VO 3 mm	PP +Talcum 3 mm
Induction F 140 W 2,800 rpm ---	Induction F 140 W 2,800 rpm ---	Universal, brush motor B 150 W 15,000 rpm 1,000h/100,000 serv (cycle=39")
Safety thermal cut-off auto-reset	Safety thermal cut-off auto-reset	Safety thermal cut-off auto-reset
Single inlet, centrifugal PP VO	Single inlet, centrifugal PP VO	Helicoidal PP VO
215 m ³ /h (3,590 L/m)	215 m ³ /h (3,590 L/m)	102 m ³ /h (1,700 L/m)
50 Km/h	50 Km/h	100 Km/h
1,500 W Ni-Crom 40 Safety thermal cut-off	1,500 W Ni-Crom 40 Safety thermal cut-off	950 W Ni-Crom Safety thermal cut-off
57°C	57°C	55°C
57dBA	57dBA	67dBA
IP21	IP21	IP23
60"	M88PLUS: 45" M88APLUS: 60"	60"
---	---	---





HAND DRYERS

Table

	MODEL	OPERATION		MATERIAL / FINISH								
		manual	sensor	steel white epoxy	steel black epoxy	AISI 304 stainless steel bright	AISI 304 stainless steel satin	cast iron white enamelled coating	steel white enamelled coating	steel black enamelled coating	steel chrome bright	steel chrome satin
	dualflow plus											
	M14A		●									
	M14AB		●									
	M14ACS		●									
	machflow											
	M09A		●	●								
	M09AB		●		●							
	M09AC		●			●						
	M09ACS		●				●					
	speedflow											
	M06A		●	●								
	M06AB		●		●							
	M06AC		●			●						
	M06ACS		●				●					
	saniflow											
	E05	●		●								
	E05B	●			●							
	E05C	●				●						
	E05CS	●					●					
	E85	●						●				
	E88	●							●			
	E88B	●								●		
	E88C	●									●	
	E88CS	●										●
	E88O	●										●
	E05A		●	●								
	E05AB		●		●							
	E05AC		●			●						
	E05ACS		●				●					
	E85A		●					●				
	E88A		●						●			
	E88AB		●							●		
	E88AC		●								●	
	E88ACS		●									●
	E88AO		●									●
	mediflow											
	M02A		●	●								
	M02AB		●		●							
	M02AC		●			●						
	M02ACS		●				●					
	M03A		●	●								
	M03AB		●		●							
	M03AC		●			●						
	M03ACS		●				●					
	optima											
	M99A		●	●								
	M99AC		●			●						
	M99ACS		●				●					
	juniorplus											
	M88APLUS		●									
	M88PLUS	●	●									
	smartflow											
	M04A		●									
	M04AC		●									
	M04ACS		●									

HAND DRYERS

Table

steel gold-plated	ABS white	ABS black	ABS grey bright	ABS grey satin	ADJUSTABLE DISTANCE DETECTION	ADJUSTABLE POWER	MOTOR		TRAFFIC FREQUENCY			MODEL
							induction	brush	HIGH	MEDIUM	LOW	
dualflow plus												
	●					●		●	●			M14A
		●				●		●	●			M14AB
				●		●		●	●			M14CS
machflow												
					●	●		●	●			M09A
					●	●		●	●			M09AB
					●	●		●	●			M09AC
					●	●		●	●			M09ACS
speedflow												
					●	●		●	●			M06A
					●	●		●	●			M06AB
					●	●		●	●			M06AC
					●	●		●	●			M06CS
saniflow												
								●	●			E05
								●	●			E05B
								●	●			E05C
								●	●			E05CS
								●	●			E85
								●	●			E88
								●	●			E88B
								●	●			E88C
								●	●			E88CS
●								●	●			E88O
					●			●	●			E05A
					●			●	●			E05AB
					●			●	●			E05AC
					●			●	●			E05ACS
					●			●	●			E85A
					●			●	●			E88A
					●			●	●			E88AB
					●			●	●			E88AC
					●			●	●			E88ACS
●					●			●	●			E88AO
mediflow												
					●			●	●			M02A
					●			●	●			M02AB
					●			●	●			M02AC
					●			●	●			M02ACS
					●			●	●			M03A
					●			●	●			M03AB
					●			●	●			M03AC
					●			●	●			M03ACS
optima												
					●			●	●			M99A
					●			●	●			M99AC
					●			●	●			M99ACS
juniorplus												
	●				●			●	●			M88APLUS
	●							●	●			M88PLUS
smartflow												
	●				●			●		●		M04A
			●		●			●		●		M04AC
				●	●			●		●		M04ACS