

**QUALITY AND ENVIRONMENT**

Efficient processes and reliable products are not the only parameters used to evaluate a company's conduct: today, in fact, the capacity of the company and its management team to design and implement production processes that are sustainable from an environmental point of view are of equal importance.



Production processes and management systems that are verified, monitored and certified.



Sustainable production plants and processes, use of renewable energies, sustainability of resources.



Products that are verified, monitored and certified by recognized certification bodies.



Recyclable products and low impact production processes in line with the Green Building principles.

**The Valsir Range**



**Waste Systems** سیستم فاضلاب ساختمان  
**Supply Systems** سیستم لوله‌کشی ساختمان  
**Gas Systems** سیستم لوله‌کشی گاز  
**Cisterns** فلاش تانک توکار



**Bathroom Systems** سیستم لوله کشی حمام  
**Traps** سیستم سیفون فاضلاب  
**Radiant Systems** سیستم گرمایش از کف  
**Drainage Systems** سیستم زه کشی



www.parsital.com



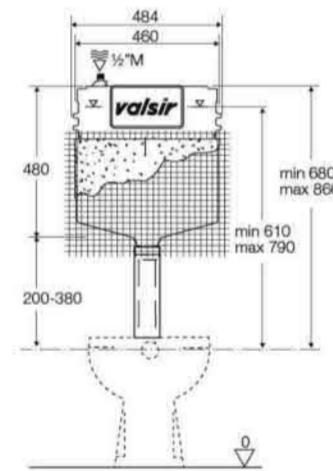
Made in ITALY

**TROPEAS**

*Tropea S, The Revolution Of Silence*



**Vs0858002**  
Mechanical  
8 cm



**Vs0858052**  
Pneumatic  
8 cm

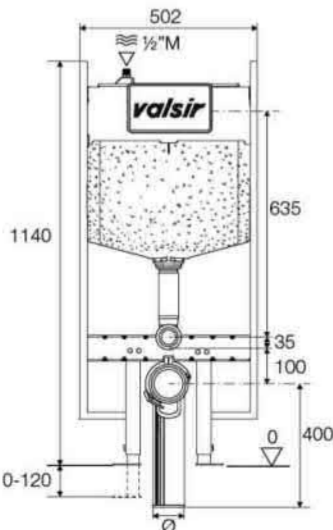
**VS0858021**  
Electronic  
8 cm



**VS0858211**  
Mechanical  
8 cm

**VS0858255**  
Pneumatic  
8 cm

**VS0858221**  
Electronic  
8 cm

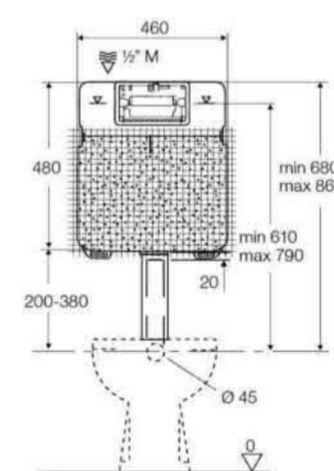


**TROPEA3**

*Tropea 3, The Perfection Of Simplicity*



**VS0859002**  
Mechanical  
8 cm

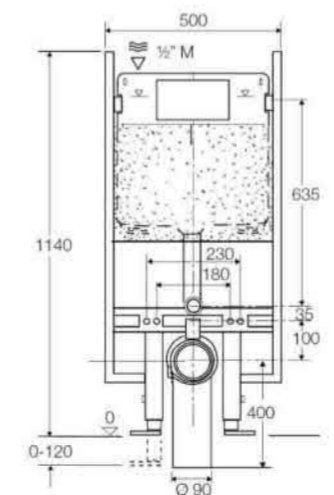


**VS0859052**  
Pneumatic  
8 cm



**VS0859211**  
Mechanical  
8 cm

**VS0859255**  
Pneumatic  
8 cm

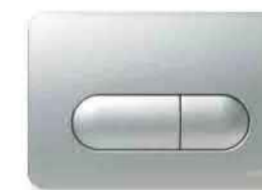
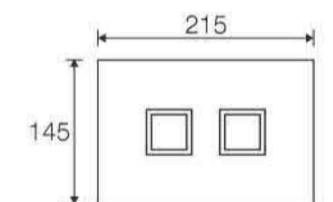


**TROPEA3**

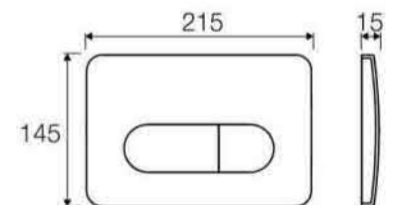
*Tropea 3, The Perfection Of Simplicity*



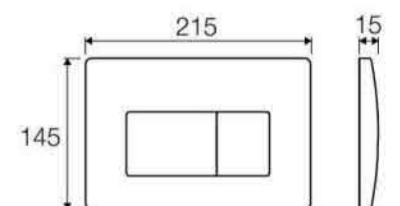
**VS0877357**  
Pneumatic push plate  
Crystal



**VS0872835**  
Dual flush push plate  
Mechanical - ABS  
Polished Chrome



**VS0872635**  
Dual flush Pneumatic  
push plate - ABS  
Polished Chrome



**VS0871335**  
Dual flush push plate  
Mechanical - ABS  
Polished Chrome