

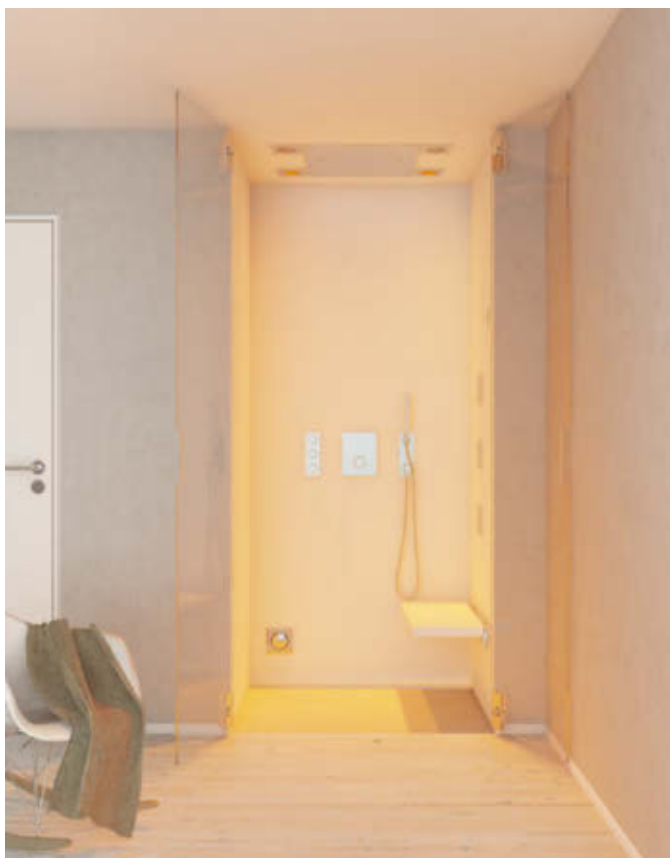
# PLANNING & INSTALLATION GUIDE

GROHE F-DIGITAL DELUXE

# GROHE CONTENT

Tailor-Made Showering	4
Important Details	8
Product Overview	12
GROHE Shower Configurations	
M	20
L	28
XL with Grohtherm SmartControl	36
XL with Grohtherm F	46
Recommended Installation Heights	56

## 20 SHOWER CONFIGURATION M



## 28 SHOWER CONFIGURATION L

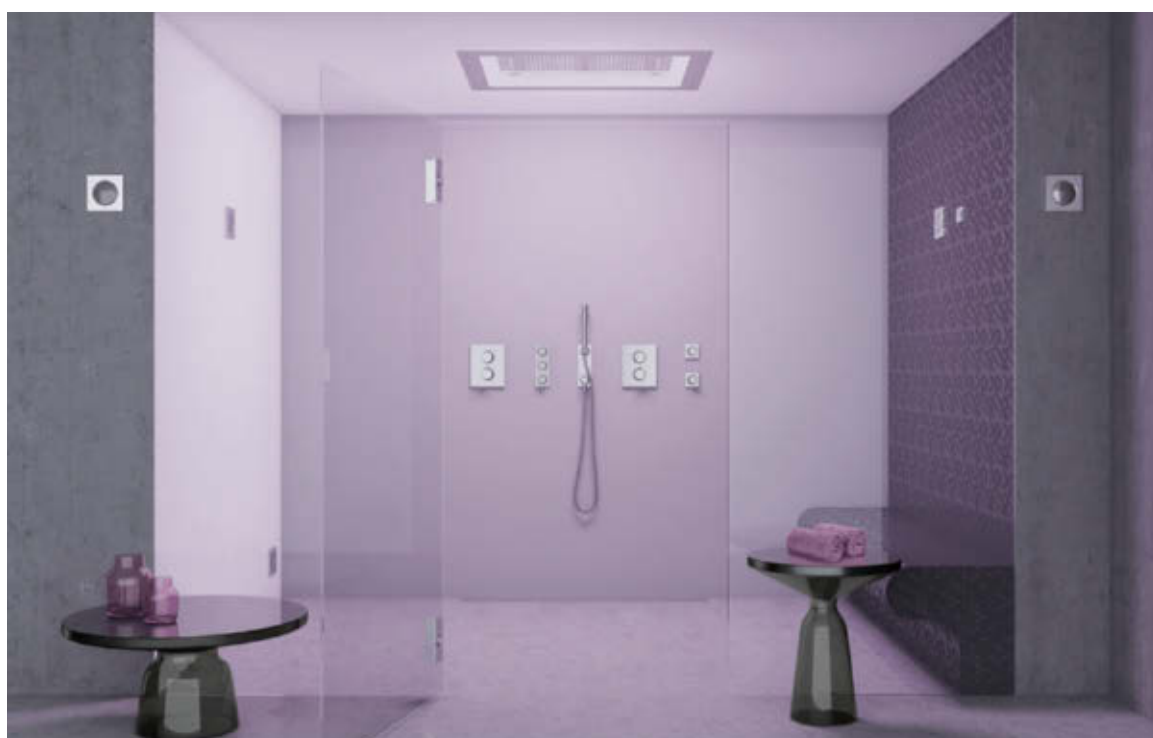


# 36

SHOWER CONFIGURATION XL  
WITH GROHTHERM SMARTCONTROL

# 46

SHOWER CONFIGURATION XL  
WITH GROHTHERM F



# GROHE SPA TAILOR-MADE SHOWERING

**Flexibility for your GROHE SPA.** The bathroom was once merely functional. Today, it's a refuge, a place to refresh and renew. It's a sanctuary from the outside world; a haven of indulgence. Bathrooms are larger; different zones are now defined. Each is an investment in your health and wellbeing, a place where daily rituals become sensational experiences.

With GROHE SPA, your home sanctuary can be completely tailor-made – from the basin to the bathtub, to the head showers, hand showers and handles, to the thermostats including light, sound and steam. Everything can be made your way, even down to GROHE Blue filtered water.



# STIMULATE YOUR SENSES

## **GROHE SPA F-digital Deluxe: Lights, music, steam...**

stimulation for all the senses. It's time to transform your bathroom into a luxurious and inspiring home spa.

With the power to fill your shower cabin with different coloured lights, your favourite music of the moment and cleansing steam, F-digital Deluxe is designed to soothe or stimulate all your senses. It is perfect for all your moods, at the touch of a button!

With GROHE SPA F-digital Deluxe you know your home is a sanctuary, complete with a sophisticated oasis of wellbeing you can control with your fingertips.

Thanks to GROHE SPA F-digital Deluxe, the bathroom is no longer just a functional space. It is a life-enhancing experience that every day breathes new life into your tired body and soul.

# PLANNING A GROHE F-DIGITAL DELUXE STEAM ROOM

## IMPORTANT DETAILS!

Please read the following notes before planning and installing a GROHE F-digital Deluxe steamroom!

**Coordination is the key.** It is important to appoint an experienced supervisor before beginning construction to ensure each stage of the project is correctly carried out. Refer to the planning examples in this document for further details about the correct way to install the water supply, the drain pipes, the electrical cabling and the vapour barrier (if a steam generator is used).

**Choosing materials.** The materials used for the walls, the ceiling, the furniture, the electrical wiring and appliances must be carefully chosen to resist 100 % humidity.

**Understand the installation notes and local regulations.** Before work commences, the project supervisor must be familiar with all the general installation notes for GROHE F-digital Deluxe as well as the country-specific regulations concerning construction work, plumbing, electrical installation and the Technical Product Information (TPI).

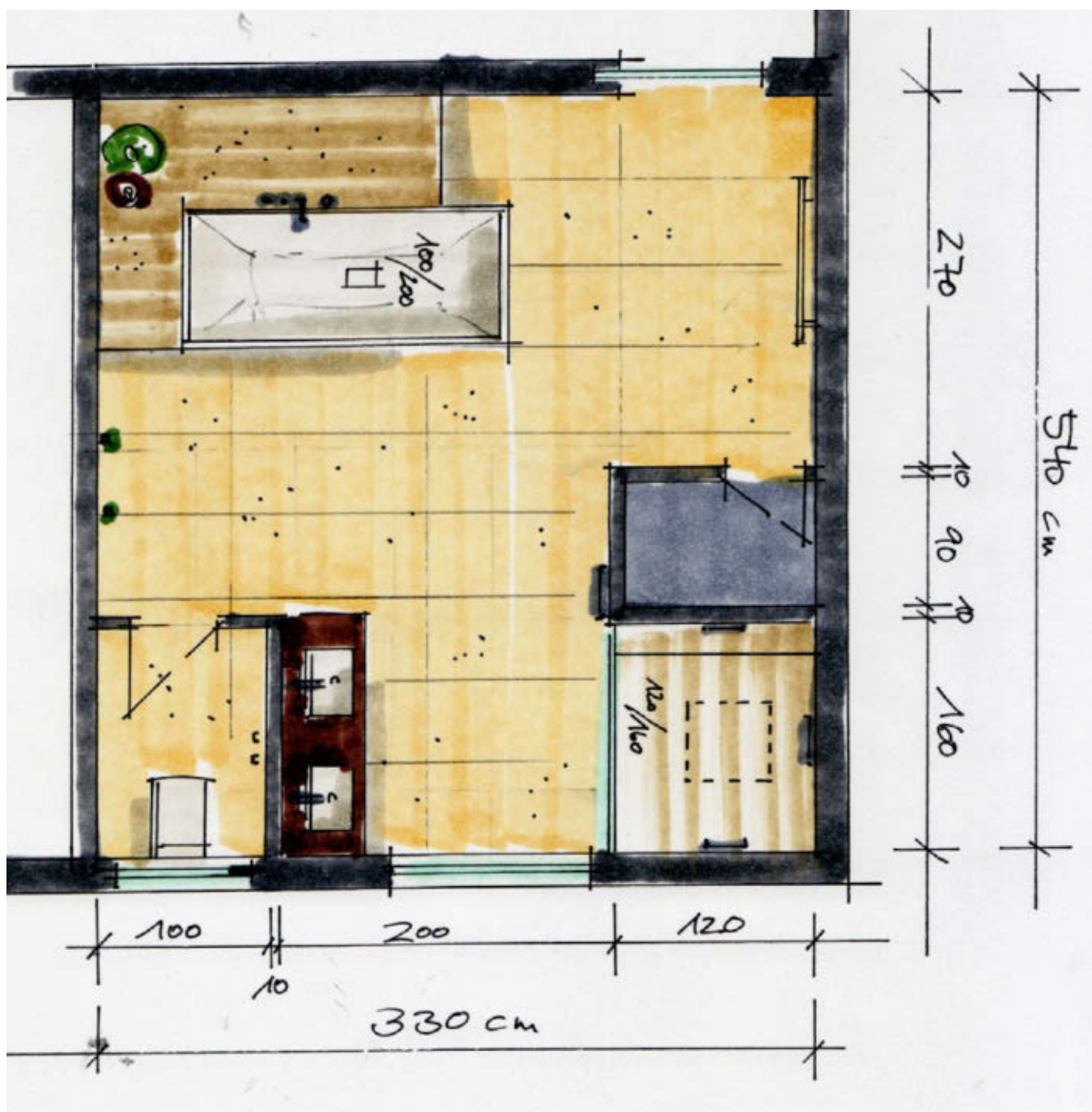
**Plan the installation carefully.** Check the best place for the base unit box and steam generator, especially in relation to the waste outlet, the maximum length (15 m) of the steam pipe (copper pipe with a diameter of 15 mm), and the need to completely isolate the steam pipe and pressure reducer. GROHE recommends the steam generator is located in a side room for easy maintenance. The steam generator is not to be installed outdoors. In addition, a pipe drain siphon is needed for boiling water after flushing. The drain has to be placed next to the steam generator, but not directly below, to prevent upcoming steam.

**!** To avoid damage to the building please ensure adequate ventilation of the room above the ceiling shower and protect the surfaces with an appropriate moisture-resistant paint.

**Consult a qualified electrician.** As installing steam generators, electronic products and/or electric cables in wet rooms can be hazardous it is important to use a qualified electrician. All products in the GROHE F-digital Deluxe range must be connected using a dedicated circuit that is secured by an appropriate ground fault circuit interrupter (FI)! Please ensure you use an uninterrupted power supply. If this is not possible, GROHE recommends the installation of an uninterruptible power supply (UPS) in accordance with local regulations.

**Test and calibrate the system.** After the system has been installed it is important to check if it is working properly. For the initial operation of the system an Apple or Android device with GROHE SPA App installed is needed. Next, the pipes must be flushed, pressurized and checked for leaks. The initial operation steps are described in detail in the TPI (36 397 000 / 26 374 000).

**Instruct the customer.** When the completed steam room is presented, the customer should be instructed in its use and receive a copy of all TPIs.



# INSTALLING A STEAM SHOWER IMPORTANT DETAILS!

**Attention:** Please note the different installation depths of the products carefully! The wall and ceiling materials, the furniture and the components of the electrical supply must be carefully chosen to cope with 100 % humidity. Please integrate a vapour barrier into the design of the steam shower cabin and a humidity-resistant seal between the door and ceiling. Please do not use a mosaic that has been glued to a mesh. The roof should have a gradient of 2 % running down to the back wall and the tiled stone seats should have a gradient of 1–2 % running down from back to front.

To avoid the risk of scalding do not use any metal materials for the seats and storage spaces.

GROHE recommends the steam generator is installed in a separate room for ease of maintenance, maximum safety and to comply with legal and regulatory requirements. The steam generator is not to be installed outdoors. A free floor drain or pipe drain siphon for boiling water is also needed next to the steam generator for flushing and decalcification.

To install only light and sound no separate space is needed, but it is important to keep a minimal distance between the SPA Showers Base Unit Box (control unit) and the shower (see VDE 0100 part 701 or EEC Norm). A locker (36 367 000) can be used to coordinate all cables of the SPA Showers Base Unit Box.

The power supply should be installed higher than the steam generator and on the opposite side of the flushing pipe to avoid contact with water.

Do not direct the steam outlet at a wall, seating or any other object. There should be a free space of at least 70 cm (28") in front of the steam outlet. Place the temperature sensor at a height of 1500-1700 mm as far as away from the steam outlet as possible. Diagonally opposite is best.

Ensure that steam rooms that are used continuously for more than two hours are ventilated by 10–20 cubic meters of air per person an hour. For detailed information see the 'Ventilation' section of the Steam Generator TPIs (36 362 000 or 27 934 000).

**!** To avoid damage to the building please ensure adequate ventilation of the room above the ceiling shower and protect the surfaces with an appropriate moisture-resistant paint.

## **CAUTION!**

Stay at least 12" (30 cm) away from hot steam escaping from steam outlet.



# THE STEAM GENERATOR IMPORTANT DETAILS!

Do not make sharp bends or "elbows" along the steam pipe. A minimum radius of 50 mm is recommended. Do not allow sags or "water pockets" along the steam pipe and/or ventilation duct. All pipes must be completely isolated.

## CAUTION!

Prevent any type of obstruction along the steam line, such as a isolation valve or tap. The internal diameter of the steam pipe must not be reduced. A connector for 15mm copper pipe (soft steel pipe) is included. In countries that do not have this standard, the next higher diameter should be used.

The power supply to the steam generator via the feeder cable must not be broken. For that reason, avoid switches along the feeder cable.

Make sure the flushing pipe slopes all the way down to the waste outlet.

## CAUTION!

The steam generator's flushing pipe must always discharge into a pipe drain siphon outside the steam room itself. The water is very hot (boiling water).





The ambient temperature outside the steam room and around the steam generator must not exceed 35 °C.

De-scale the steam generator at regular intervals as instructed (please read the section on 'De-scaling' in the TPI of 27 934 000 or 36 362 000. In hard-water areas, where calcium levels exceed 5° dH, GROHE recommends the installation of a filter system to avoid scaling.

Minimum / maximum volume of the steam cubicle in m <sup>3</sup>					
Steam generator power in kW	Lightweight wall (hardened glass, Elysée/Excellent cubicle, etc.)		Heavy wall (tiles, concrete, stone, etc.)		Steam production kg/hr
	with ventilation	without ventilation	with ventilation	without ventilation	
2.2	–	0–2.5	–	–	3
6.6	3–9	4–max. 12,5	2–max. 4,5	2,5–max. 6,5	9

Water inlet: max. 40 °C • Water hardness: 5° dH • System pressure: 0.1–1 MPa

**Calculate the power of the steam generator!**


 x 
 
 x 
 
 = 
 

Room volume in m<sup>3</sup>      Ventilation (K1)      Interior material (K2)      Capacity in kW

---

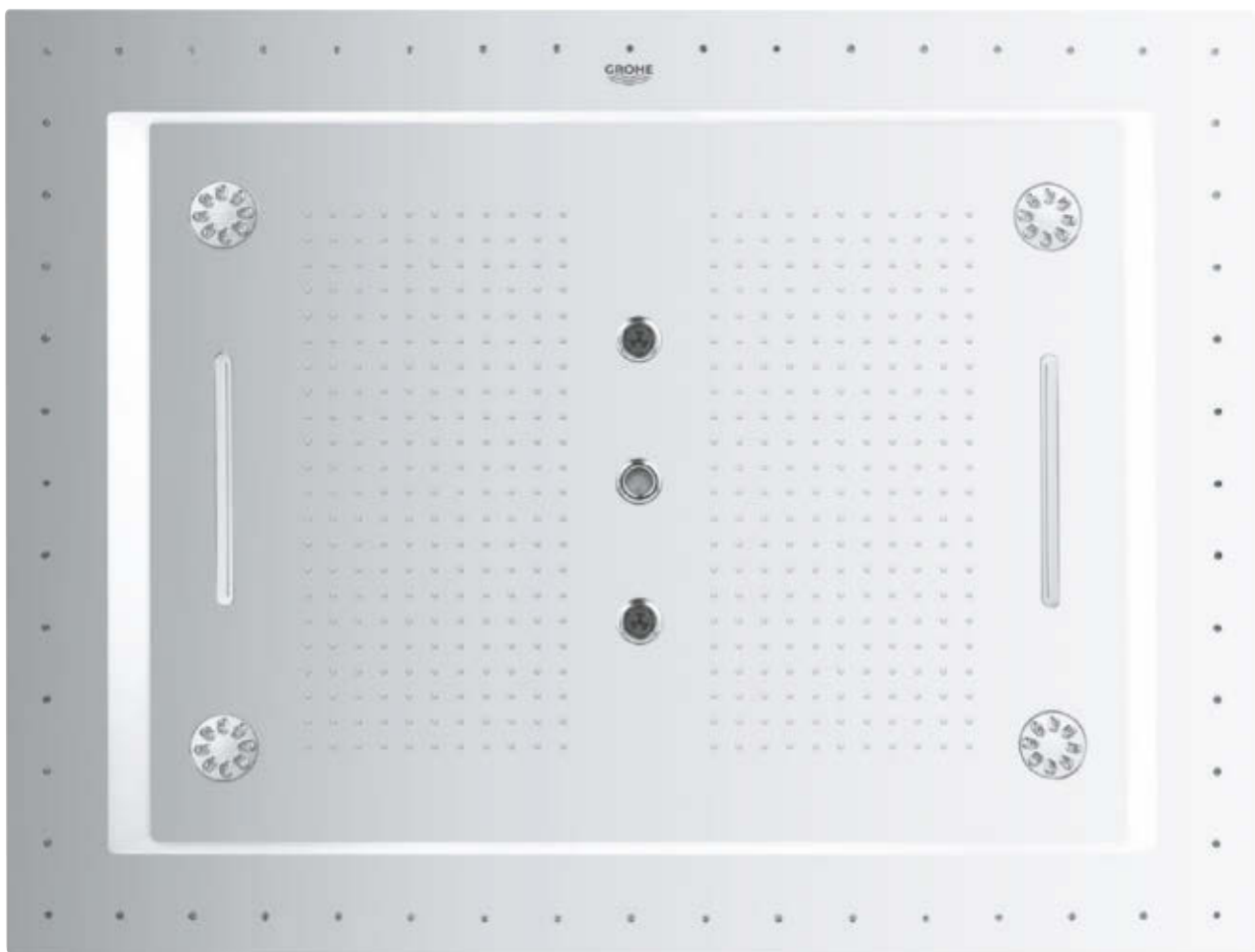
**Room volume (m<sup>3</sup>) x K1 x K2 = required capacity (kW)**

**Constants**

Ventilated room	K1 = 0,75	Acrylic steam room	K2 = 1,00
Unventilated room	K1 = 0,52	Wall covering tiles on hard foam	K2 = 1,25
		Wall covering tiles on concrete	K2 = 1,50
		Massive wall made of concrete or tiles	K2 = 2,00

**Architectural freedom to design a unique shower experience.**

Create your own personal tailor-made spa experience with GROHE F-digital Deluxe. This cosmopolitan, multi-sensory shower will stimulate all your senses and transform your bathroom into an indulgent space for physical, emotional and spiritual wellbeing. The intuitive GROHE F-digital Deluxe App lets you design your own personal combination of lighting, sound and steam – by wireless Bluetooth® connection – for a unique spa sanctuary in your own home.



**26 373 001\***

Ceiling shower with light F-Series 40" AquaSymphony

1016 mm (width) x 762 mm (height) x 155 mm (depth), metal

6+ sprays: 1 x AquaCurtain, 1 x Pure XL spray, 1 x 2 Drizzle sprays (cold mist spray), 2 x GROHE PureRain spray 400 x 190 mm (separately controlled), 2 x XL Waterfall (separately controlled), 1 x 4 Bokoma Spray with adjustment angle 20° and combinations

**26 376 001**

Rainshower F-Series 40" Rough-in set



Available for free via iTunes App or Google Play store

**34 634 001**

Grotherm F

THM Complete Kit for F40" preconfigured

consisting of:

- 2 x THM with 2-way diverter (27 618 000)
- 1 x Triple volume control trim (27 625 000)
- 2 x Single volume control (27 623 000)
- 1 x Wall shower union with holder (27 621 000)
- 1 x Sena Stick Hand Shower (28 034 000)
- 1 x Relaxaflex Metal 1500 mm (28 143 000)
- + separate concealed bodies (2 x 35 500 000, 2 x 35 028 000, 1 x 35 031 000, 1 x 35 034 000)

**29 126 000 + 35 600 000**

Grotherm SmartControl Thermostat  
for concealed installation  
with 3 valves  
+ separate concealed body

**27 865 000\***

Ceiling Shower F-Series 20"

with light

508 x 508 mm, metal

1 spray pattern: Rain

**29 069 000**

Connection set for 27 865 000

**36 359 000\*\***

Light Set

**29 072 000**

Rough-in set for Light Set

**47 910 000**

Cable extension Light 1,6 m

**47 867 000**

Cable extension Light 5 m

**36 360 000**

Sound Set

**29 073 000**

Rough-in set for Sound Set

**47 838 000**

Cable extension Sound 5m

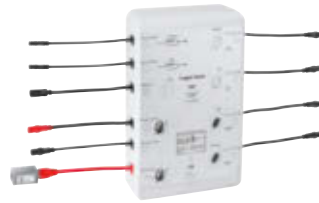


\* This ceiling shower contains built-in LED lamps, which cannot be changed: Energy efficiency class LED: A-A\*\*

\*\* This luminaire contains built-in LED lamps, which cannot be changed: Energy efficiency class LED: A-A\*\*



**26 374 000**  
Base unit box 4.0 Bluetooth® to be used with Rainshower F-Series 40" Aquasymphony – to control lightCurtain



**36 397 000**  
Base unit box Bluetooth® To connect sound, light and steam



**36 371 000**  
Bluetooth® unit BT-01A



**29 072 000**  
Rough-in set for light set



**29 073 000**  
Rough-in sound modules



**29 069 000**  
Cable connection for 27 865 000



The F-digital Deluxe base unit box and an Apple or Android mobile device with GROHE SPA App installed are required for operation of light, sound and steam – and individual modules.



**36 362 000**  
Steam Generator 2.2 kW  
**27 934 000**  
with 6.6 kW for commercial use only  
**29 074 000**  
Rough-in set for steam generator



**36 367 000**  
Rough-in set base unit box



**47 910 000**  
Cable extension Light 1,6 m  
**47 867 000**  
Cable extension Light 5 m  
**47 838 000**  
Cable extension Sound 5 m



**47 868 000**  
Cable extension Power Supply 5 m  
**47 837 000**  
Cable extension Steam Generator /  
AquaSymphony 5 m  
**47 877 000**  
Cable extension Temperature sensor 5 m



**42 429 000**  
Power Supply

The background is a solid teal color. In the lower right quadrant, there is a semi-transparent image of a shower head spraying water upwards. The water spray is rendered in a lighter shade of teal, creating a sense of motion and freshness. The shower head itself is a dark teal color.

# **PURE FLEXIBILITY** SHOWER SOLUTIONS

MEDIUM SHOWER CONFIGURATION



LARGE SHOWER CONFIGURATION



# GROHE F-DIGITAL DELUXE

With GROHE's broad range of tailor-made showers, you have endless possibilities to create the shower you want to own, the way it should look and the way you want to shower, whatever your mood. Based on the space you have available, GROHE allows you to create inspirational luxury showers with Rainshower F-Series and F-digital Deluxe. Choose between bespoke solutions for a small individual shower cabin, up to a XL wellness zone for you and your partner.

## XL SHOWER CONFIGURATION





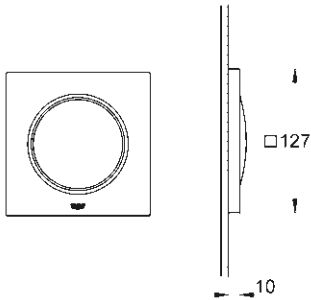
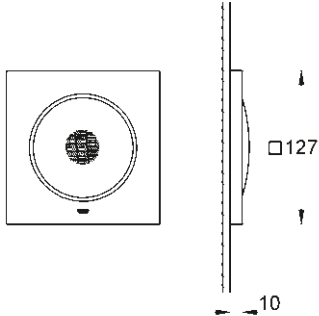
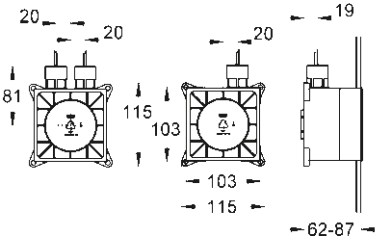
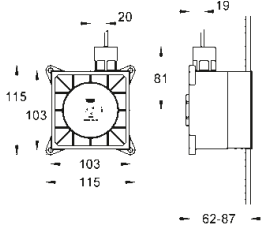
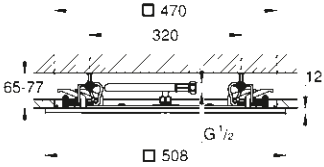
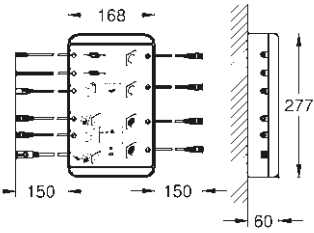
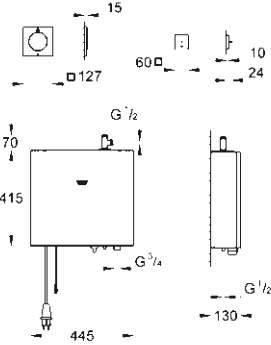
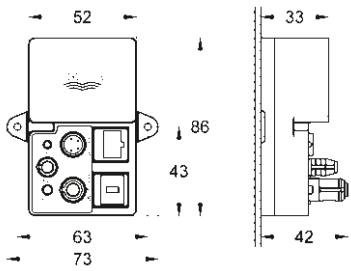
# GROHE F-DIGITAL DELUXE CONFIGURATION M

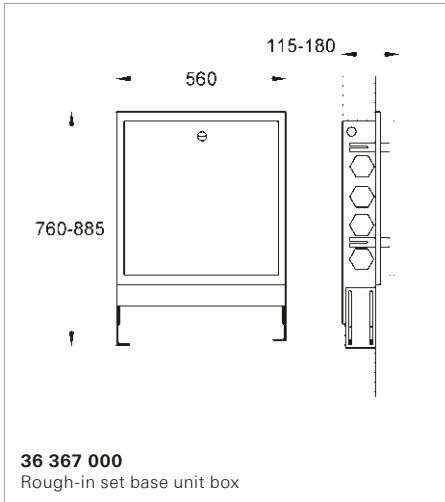
If you have enough room to install a small bench you also have the chance to enjoy luxurious steam therapy with the GROHE F-digital Deluxe steam generator. The three Rainshower F5" side showers on the right side are complemented by the F5" sound and light modules for a real stereo aqua visual and sound effect. Combine the showers with the powerful and flexible Grohtherm F mechanical water controls – always the right temperature – and a Sena hand shower.



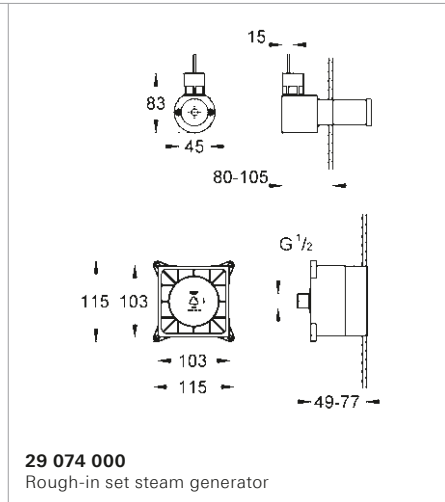


# GROHE F-DIGITAL DELUXE CONFIGURATION M

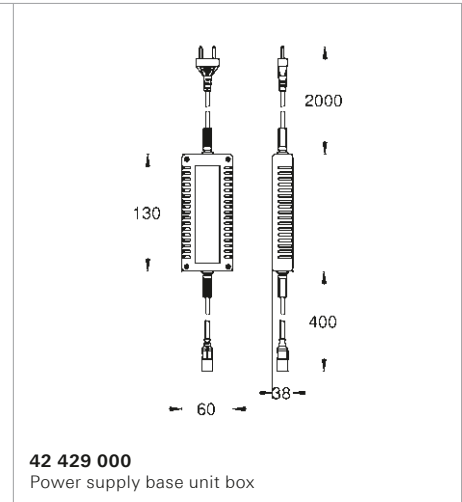
	 <p><b>36 359 000*</b> Light set</p>	 <p><b>36 360 000</b> Sound set</p>
 <p><b>29 072 000</b> Rough-in light set</p>	 <p><b>29 073 000</b> Rough-in sound set</p>	 <p><b>27 286 000</b> Ceiling shower 20"</p>
 <p><b>36 397 000</b> Base unit box Bluetooth® 2.0</p>	 <p><b>36 362 000</b> Steam generator 2.2 kW with steam outlet and temperature sensor</p>	 <p><b>36 371 000</b> Bluetooth® unit</p>



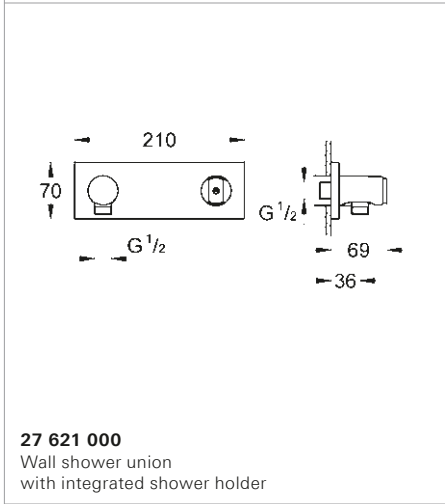
**36 367 000**  
Rough-in set base unit box



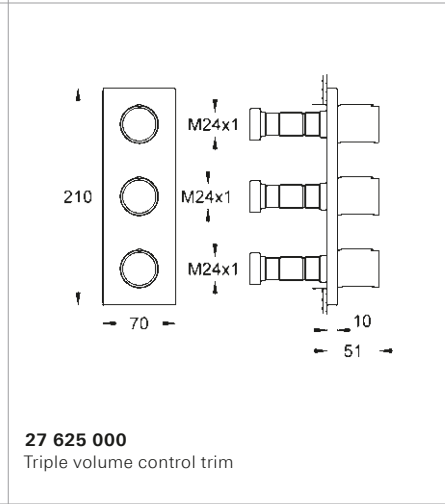
**29 074 000**  
Rough-in set steam generator



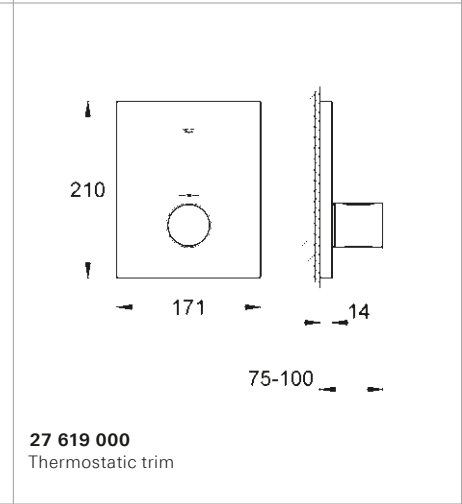
**42 429 000**  
Power supply base unit box



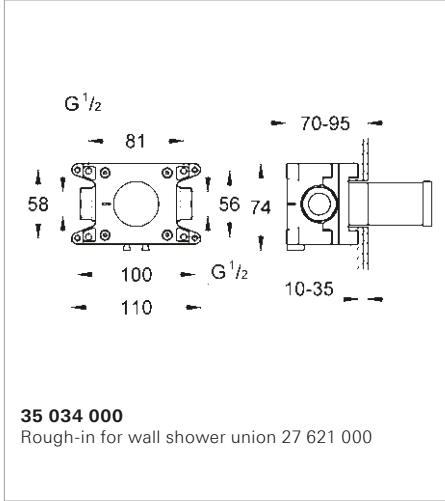
**27 621 000**  
Wall shower union  
with integrated shower holder



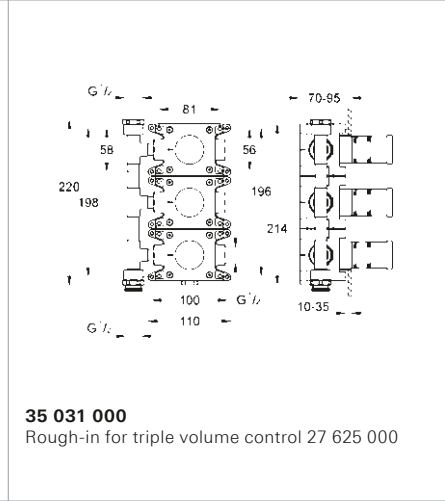
**27 625 000**  
Triple volume control trim



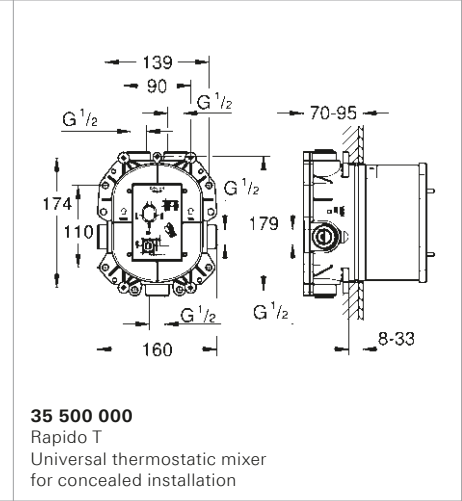
**27 619 000**  
Thermostatic trim



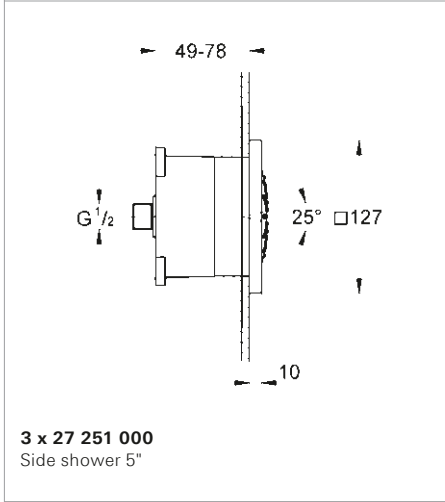
**35 034 000**  
Rough-in for wall shower union 27 621 000



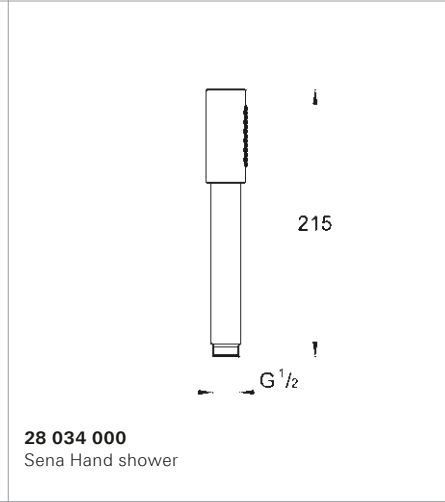
**35 031 000**  
Rough-in for triple volume control 27 625 000



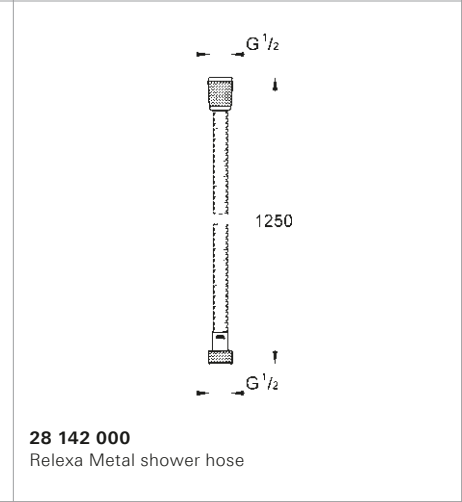
**35 500 000**  
Rapido T  
Universal thermostatic mixer  
for concealed installation



**3 x 27 251 000**  
Side shower 5"



**28 034 000**  
Sena Hand shower



**28 142 000**  
Relexa Metal shower hose

# GROHE F-DIGITAL DELUXE CONFIGURATION M

## BRICKWORK



### SIZE OF THE SHOWER CABIN:

1.10 x 0.90 m

### ROOM HEIGHT:

Ceiling height in steam bath should not exceed 2.20–2.30 m.

To comply with local legal regulations GROHE recommends a side room for the steam generator and the base unit box; it should have a free floor drain/siphon.

Please have a look at the minimum/maximum volume of the steam cubicle in m<sup>3</sup> on page 11.

## LIGHTWEIGHT WALL CONSTRUCTION



Overview of the lightweight wall construction for the shower and the side room:

Fixing plates for steam outlet, temperature sensor, water controls and side showers.

Place the locker for the base unit box in the side room and fix it to the floor.

### INSTALLATION HEIGHTS:

- water controls: 1.15 m.
- side showers from ground: 0.85m, 1.15 m and 1.45 m.
- steam outlet: 0.2 m and 0.15 m from side wall.
- temperature sensor: 1.7 m  
(with maximum distance to steam outlet).

The maximum distance from steam generator to base unit box should not exceed 4.5 m.

### ATTENTION:

Please note the different installation depths of the products carefully!

## DUCTWORK FOR CABLES



Install all concealed boxes; see installation heights on page 46.

Ductwork for cables has to be used for all electrical connections from the concealed boxes to the base unit box (ductwork diameter 21 mm).

**ATTENTION:**

At each side of the cable an excess length of 20 cm is needed. Additionally corners and curves have to be added to total length!

**ATTENTION:**

Avoid bends in cables and too close-rounded edges.

## DUCTWORK WITH CABLES



For an easy connection of the modules ensure the cables have at least an excess length of 20 cm for the concealed boxes.

**MAXIMUM CABLE LENGTH LIGHT & SOUND MODULES:**

9.5 m (5 m included in delivery).

**LIGHT MODULES:**

Connection from base unit box to lamp 1.  
Loop through from lamp 1 (two ductwork connectors) to lamp 2 (one ductwork connector).

**SOUND MODULES:**

Connect Y connector to the base unit box, split each pair of sound modules and place them opposite to each other in the SPA cabin.

# GROHE F-DIGITAL DELUXE CONFIGURATION M

## PIPE INSTALLATION



Install concealed boxes for water controls and side showers. Connect the warm and cold water and install pipes for water supply.

For installation heights please see table on page 50.

**ATTENTION:**

Please do not forget to integrate a vapour barrier!



**VIEW FROM  
THE RIGHT SIDE**

## UTILITY ROOM



Overview of the utility room, including steam generator and base unit box.

The steam generator has to be placed where it is accessible for maintenance.

In addition, a free floor drain/siphon is needed for boiling water after flushing. The drain must be placed next to the steam generator but not directly below it to prevent upcoming steam.

All pipes must be completely isolated.

## FRONTAL VIEW BASE UNIT BOX



Connections of all single modules with the base unit box of configuration M, including power supply (1 power supply with 2 x 1 single light module and 2 x 1 single sound module).

## WALL COVERING



While wall covering is carried out, please ensure the overhanging cable ends remain in position; otherwise connection of the modules is not possible.

Please install each module in the concealed boxes and connect them according to the relevant TPIs.

For the initial operation of the SPA shower cabin an Apple or Android device with GROHE SPA App installed is needed.



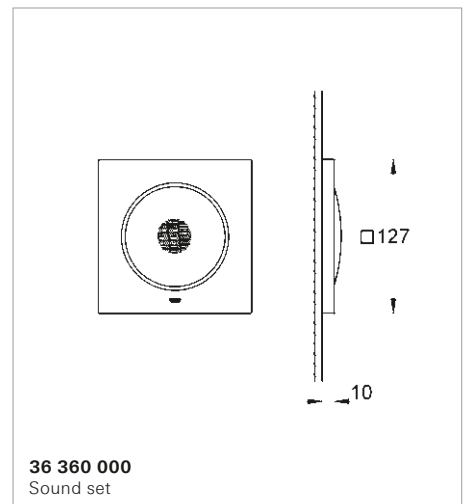
# GROHE F-DIGITAL DELUXE CONFIGURATION L

If you have the space, why not build a 160-cm-wide large shower? Use the extra space for a full-width bench on which to enjoy the water, light, sound and steam from F-digital Deluxe together. With two speakers in the shower room and two outside, you can also listen to your music outside the shower. Experience true 3D showering with the luxurious Rainshower ceiling shower 20" with light and six side showers. The reliable and accurate Grohtherm F thermostatic controls steer all the different sprays as well as the Sena hand shower.

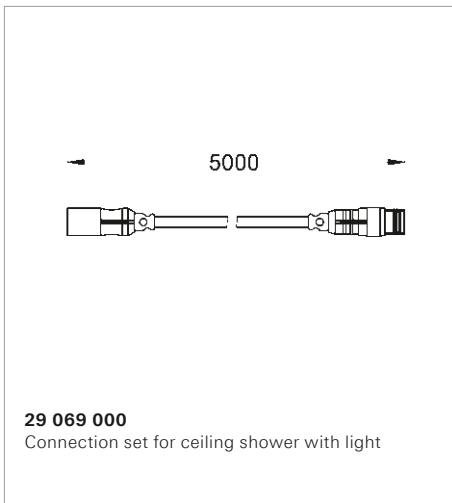




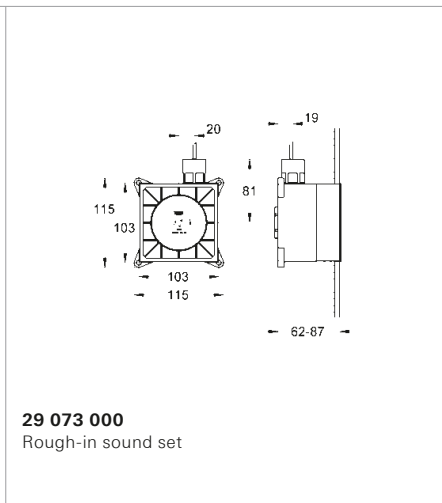
# GROHE F-DIGITAL DELUXE CONFIGURATION L



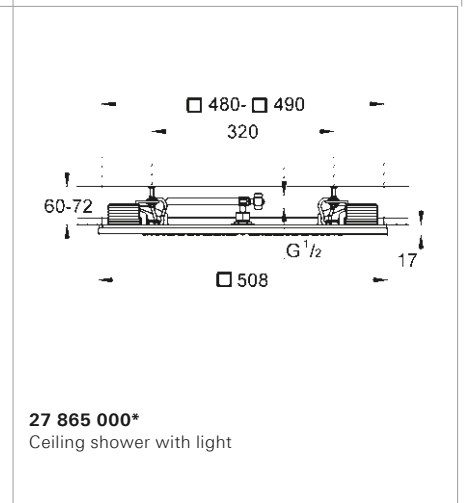
**36 360 000**  
Sound set



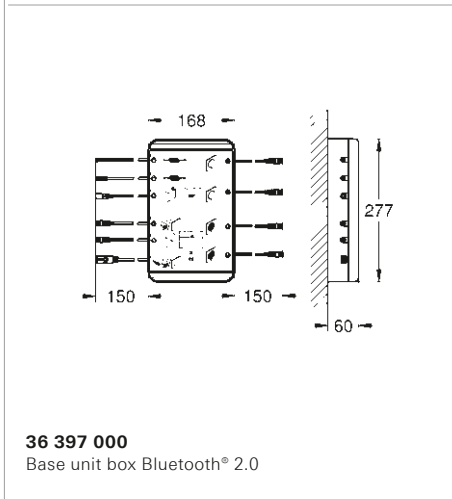
**29 069 000**  
Connection set for ceiling shower with light



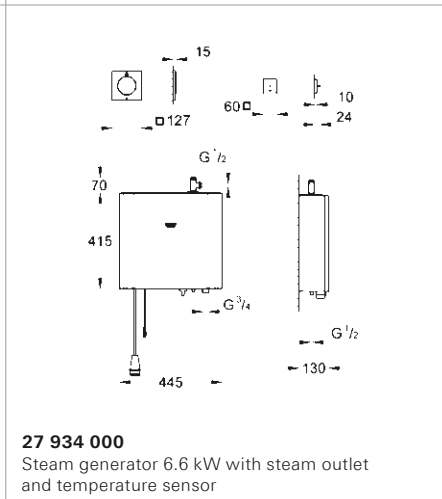
**29 073 000**  
Rough-in sound set



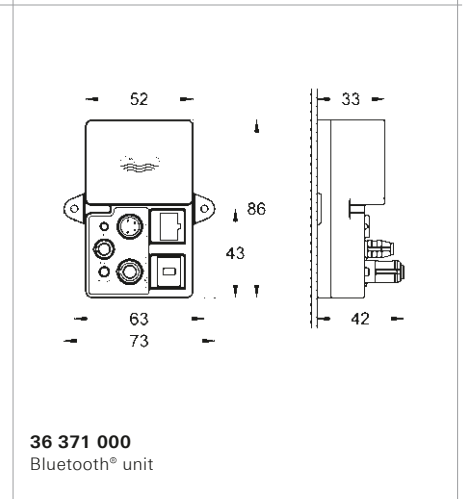
**27 865 000\***  
Ceiling shower with light



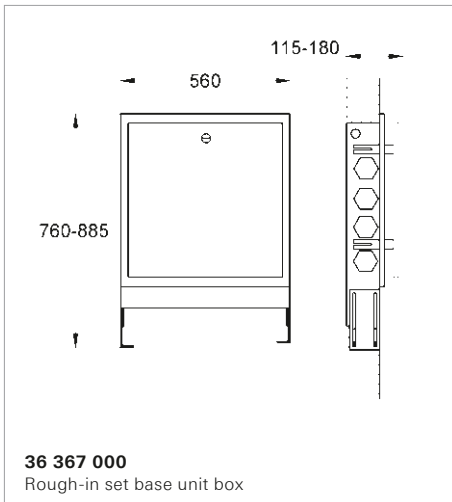
**36 397 000**  
Base unit box Bluetooth® 2.0



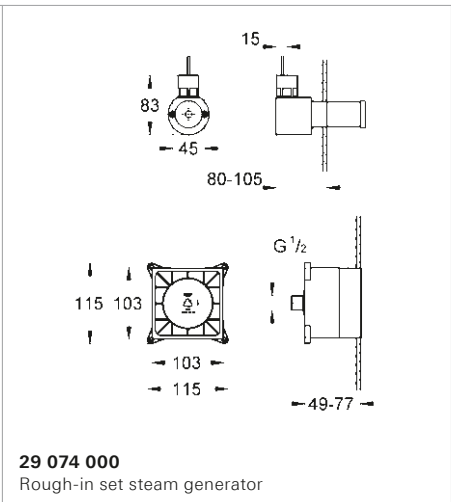
**27 934 000**  
Steam generator 6.6 kW with steam outlet and temperature sensor



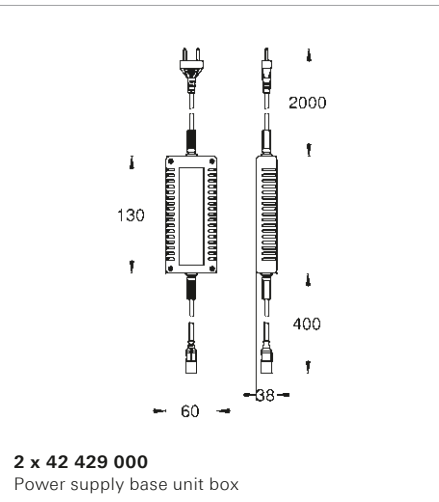
**36 371 000**  
Bluetooth® unit



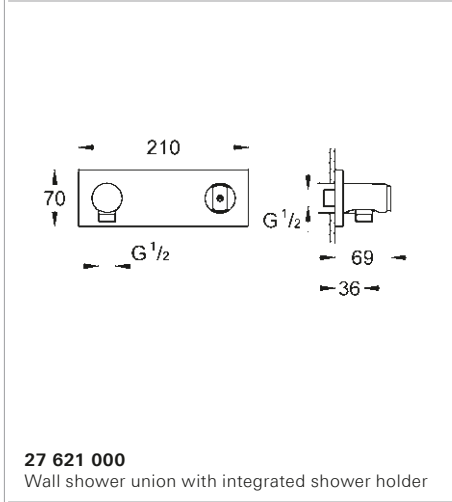
**36 367 000**  
Rough-in set base unit box



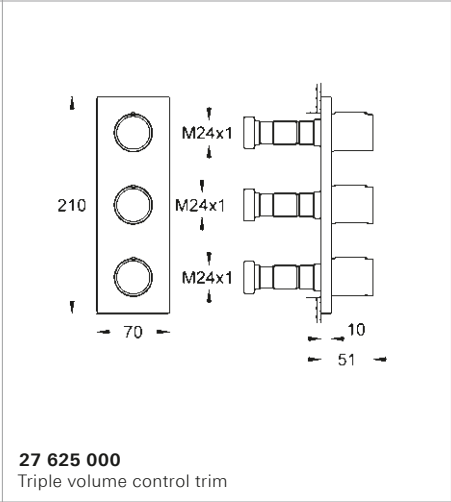
**29 074 000**  
Rough-in set steam generator



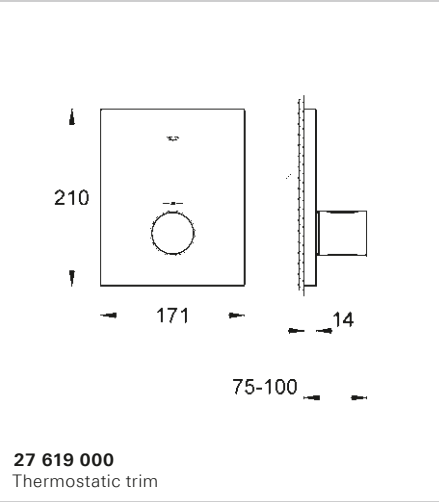
**2 x 42 429 000**  
Power supply base unit box



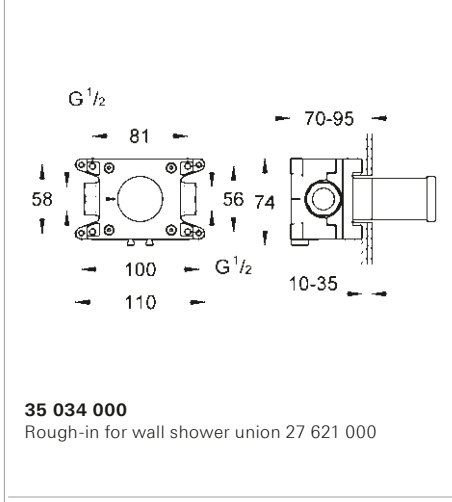
**27 621 000**  
Wall shower union with integrated shower holder



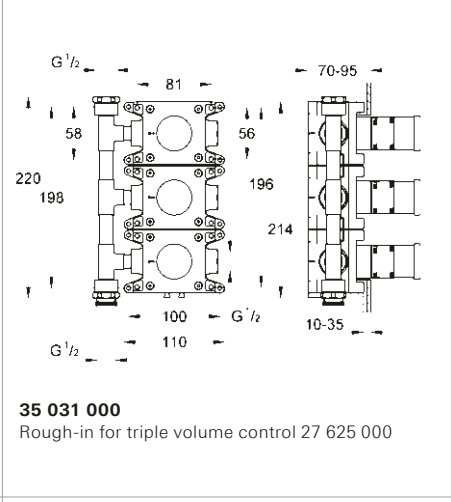
**27 625 000**  
Triple volume control trim



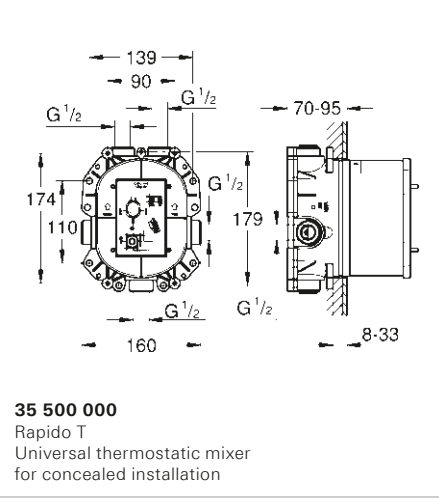
**27 619 000**  
Thermostatic trim



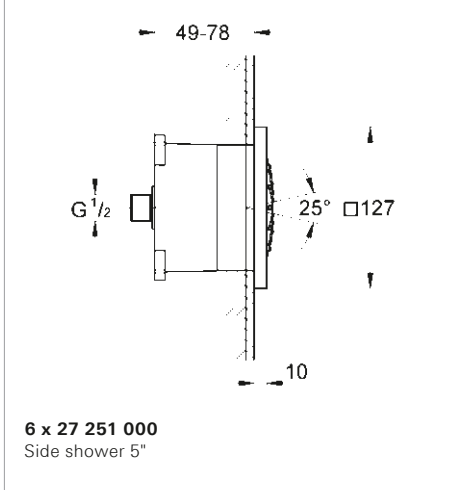
**35 034 000**  
Rough-in for wall shower union 27 621 000



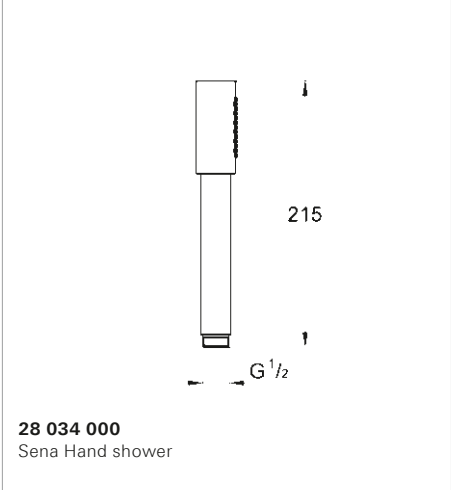
**35 031 000**  
Rough-in for triple volume control 27 625 000



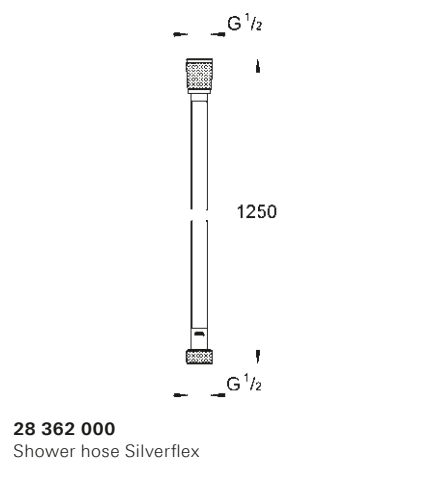
**35 500 000**  
Rapido T  
Universal thermostatic mixer  
for concealed installation



**6 x 27 251 000**  
Side shower 5"



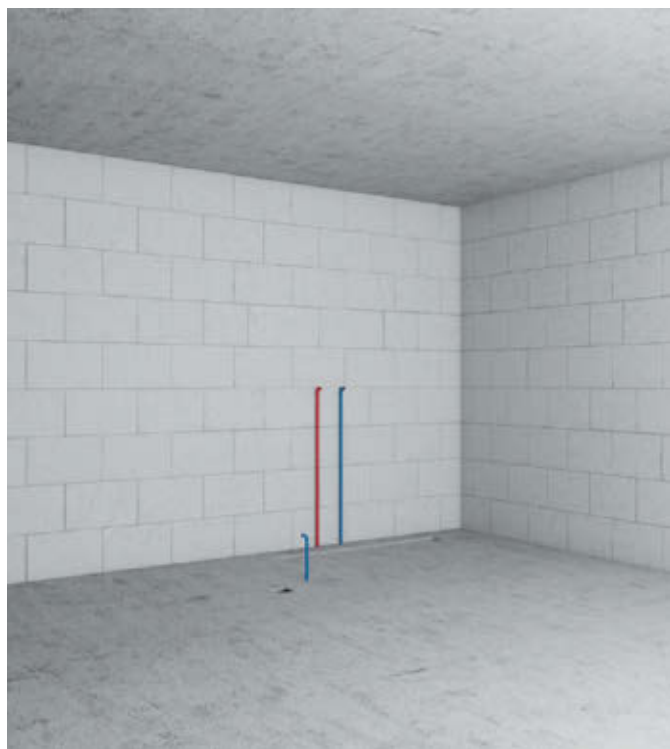
**28 034 000**  
Sena Hand shower



**28 362 000**  
Shower hose Silverflex

# GROHE F-DIGITAL DELUXE CONFIGURATION L

## BARE BRICKWORK



### SIZE OF THE SHOWER CABIN:

1.60 x 1.20 m

### ROOM HEIGHT:

Ceiling height in steam bath should not exceed 2.20–2.30 m.

To comply with local legal regulations GROHE recommends a side room is used for the steam generator and the base unit box; it should have a free floor drain/siphon.

Please have a look at the minimum/maximum volume of the steam cubicle in m<sup>3</sup> on page 11.

## LIGHTWEIGHT WALL CONSTRUCTION



Overview of the lightweight wall construction for the shower and the side room:

Wooden base for the side showers, sound modules above, water controls as well as the steam outlet and temperature sensor above the side showers on the right side.

Place the locker for the base unit box in the side room and fix it to the floor.

### INSTALLATION HEIGHTS:

- water controls: 1.15 m.
- side showers from ground: 0.85 m, 1.15 m and 1.45 m.
- sound modules: 1.75 m.
- steam outlet: 0.2 m and 0.2 m from side wall.
- temperature sensor: 1.7 m  
(with maximum distance to steam outlet).

The maximum distance from steam generator to base unit box should not exceed 4.5 m.

### ATTENTION:

Please note the different installation depths of the products carefully!

## DUCTWORK FOR CABLES



Install all concealed boxes; please see installation heights on page 46.

Ductwork for cables has to be used for all electrical connections from the concealed boxes to the base unit box (ductwork diameter 21 mm).

**ATTENTION:**

At each side of the cable an excess length of 20 cm is needed. Additionally corners and curves have to be added to total length!

**ATTENTION:**

Avoid bends in cables and too close-rounded edges.

## DUCTWORK WITH CABLES



For an easy connection of the modules ensure cables have an extra 20 cm for the concealed boxes.

**MAXIMUM CABLE LENGTH LIGHT & SOUND MODULES:**

9.5 m (5 m included in delivery).

**LIGHT MODULES:**

Connection from base unit box to lamp 1.  
Loop through from lamp 1 (two ductwork connectors) to lamp 2 (one ductwork connector).

**SOUND MODULES:**

Connect Y connector to the base unit box, split each pair of sound modules and place them opposite to each other in the SPA cabin. One pair for free placement in the bathroom.

# GROHE F-DIGITAL DELUXE CONFIGURATION L

## BARE BRICKWORK



Install all other concealed boxes for water controls and side showers.

Connect the warm and cold water and install pipes for water supply.

For installation heights please see table on page 50.

**ATTENTION:**

Please do not forget to integrate a vapour barrier!



**VIEW FROM  
THE RIGHT SIDE**

## UTILITY ROOM



Overview of the utility room, including steam generator and base unit box.

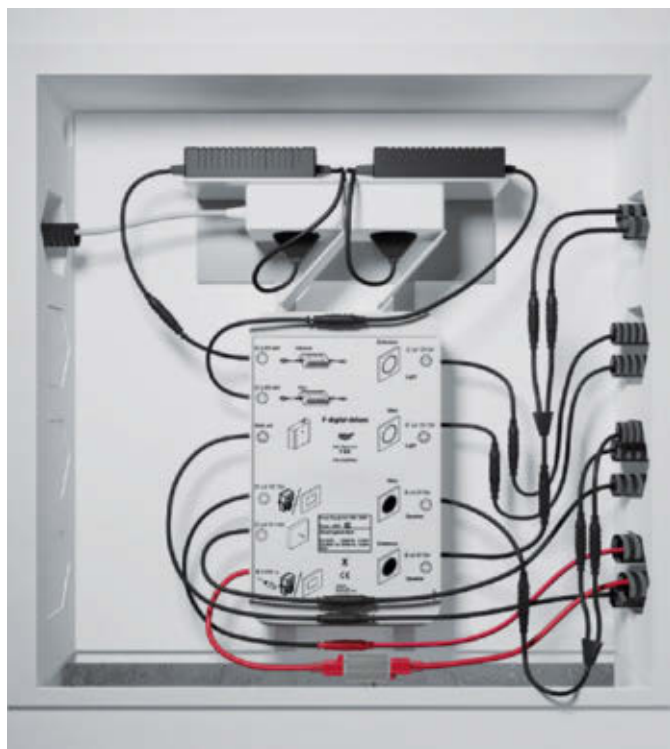
The steam generator has to be placed where it is accessible for maintenance.

In addition, a free floor drain/siphon is needed for boiling water after flushing.

The drain must be placed next to the steam generator but not directly below it to prevent upcoming steam.

All pipes must be 100 % isolated.

## FRONTAL VIEW



Connection of all single modules with the base unit box of configuration L, including power supply (2 power supplies with 4 x 1 single light modules and 2 x 1 single sound modules).

## WALL COVERING



While covering the wall take care to leave the overhanging cable ends in position; otherwise connection of the modules is not possible.

Please install each module in the concealed boxes and connect them according to the relevant TPIs.

For the initial operation of the SPA shower cabin an Apple or Android device with GROHE SPA App installed is needed.



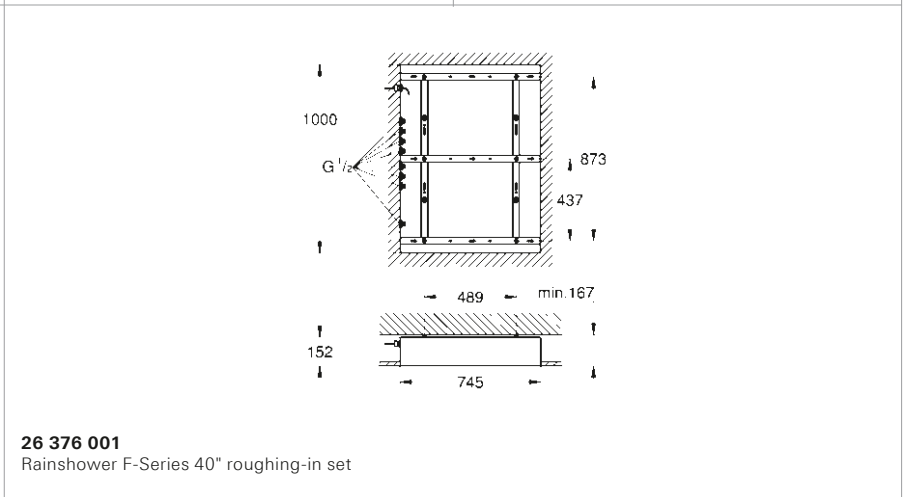
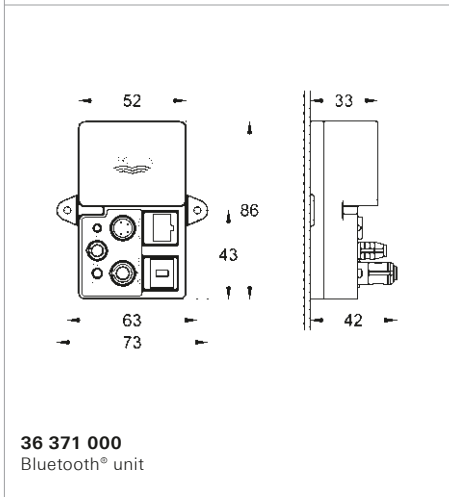
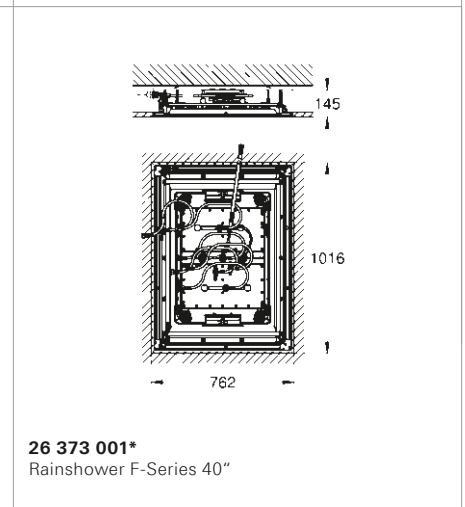
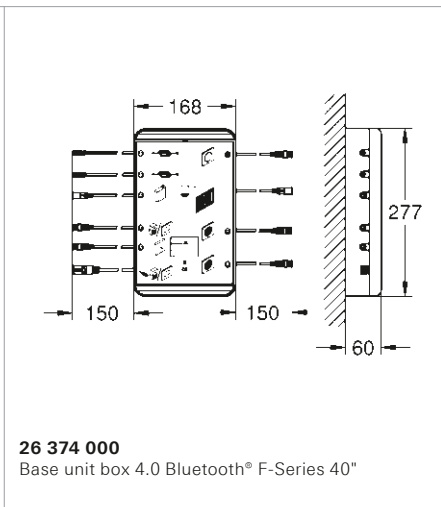
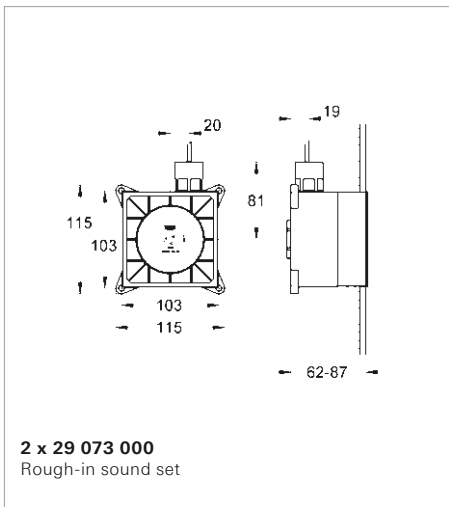
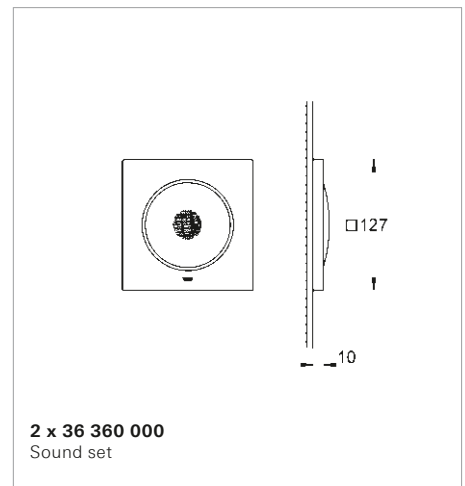
# GROHE F-DIGITAL DELUXE CONFIGURATION XL

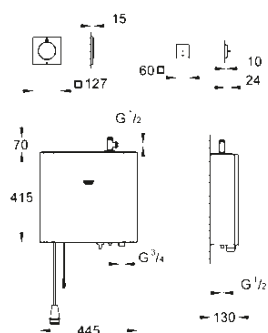
Create a space in which to luxuriate and indulge yourself with the new AquaSymphony Rainshower shower head, measuring over a meter wide. Stretch out and unwind under a choice of six spray options, or let the incredible AquaCurtain envelop you totally in a curtain of water. Four speakers let you enjoy your music inside the shower and outside, while you can tailor the coloured light of the chromatherapy option to suit and enhance your mood. What is more, controlling every aspect of your dream spa is easy and intuitive with GROHE SmartControl. Offering spray selection and volume control at the touch and turn of one button, it even remembers your preferences when you pause the shower, putting you in total control.



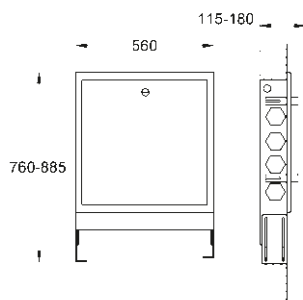


# GROHE F-DIGITAL DELUXE CONFIGURATION XL WITH GROHTHERM SMARTCONTROL

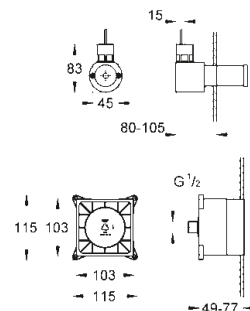




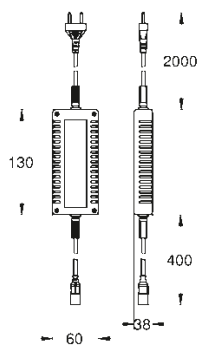
**27 934 000**  
Steam generator 6.6 kW  
with steam outlet and temperature sensor



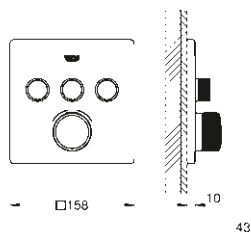
**36 367 000**  
Rough-in set base unit box



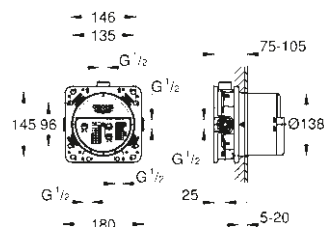
**29 074 000**  
Rough-in set steam generator



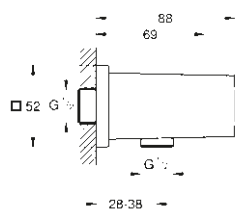
**2 x 42 429 000**  
Power supply base unit box



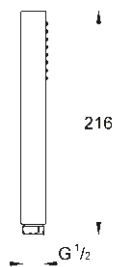
**3 x 29 126 000**  
Grotherm SmartControl Thermostat  
for concealed installation with 3 valves



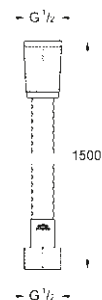
**3 x 35 600 000**  
GROHE Rapido SmartBox



**26 370 000**  
Euphoria Cube Shower outlet elbow

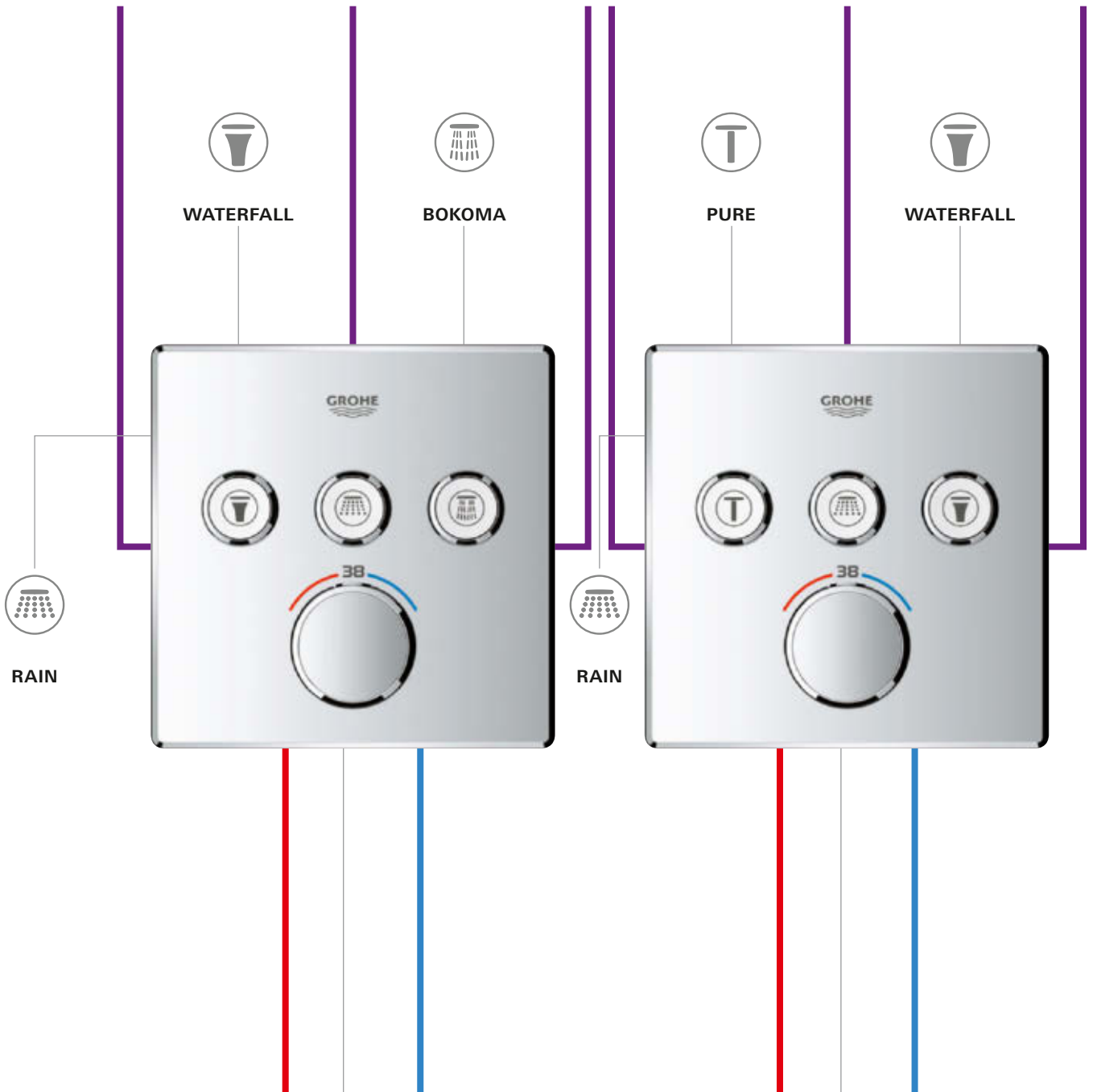


**27 698 000**  
Euphoria Cube Stick hand shower



**28 143 000**  
Relexaflex Metal Longlife  
shower hose 1500 mm

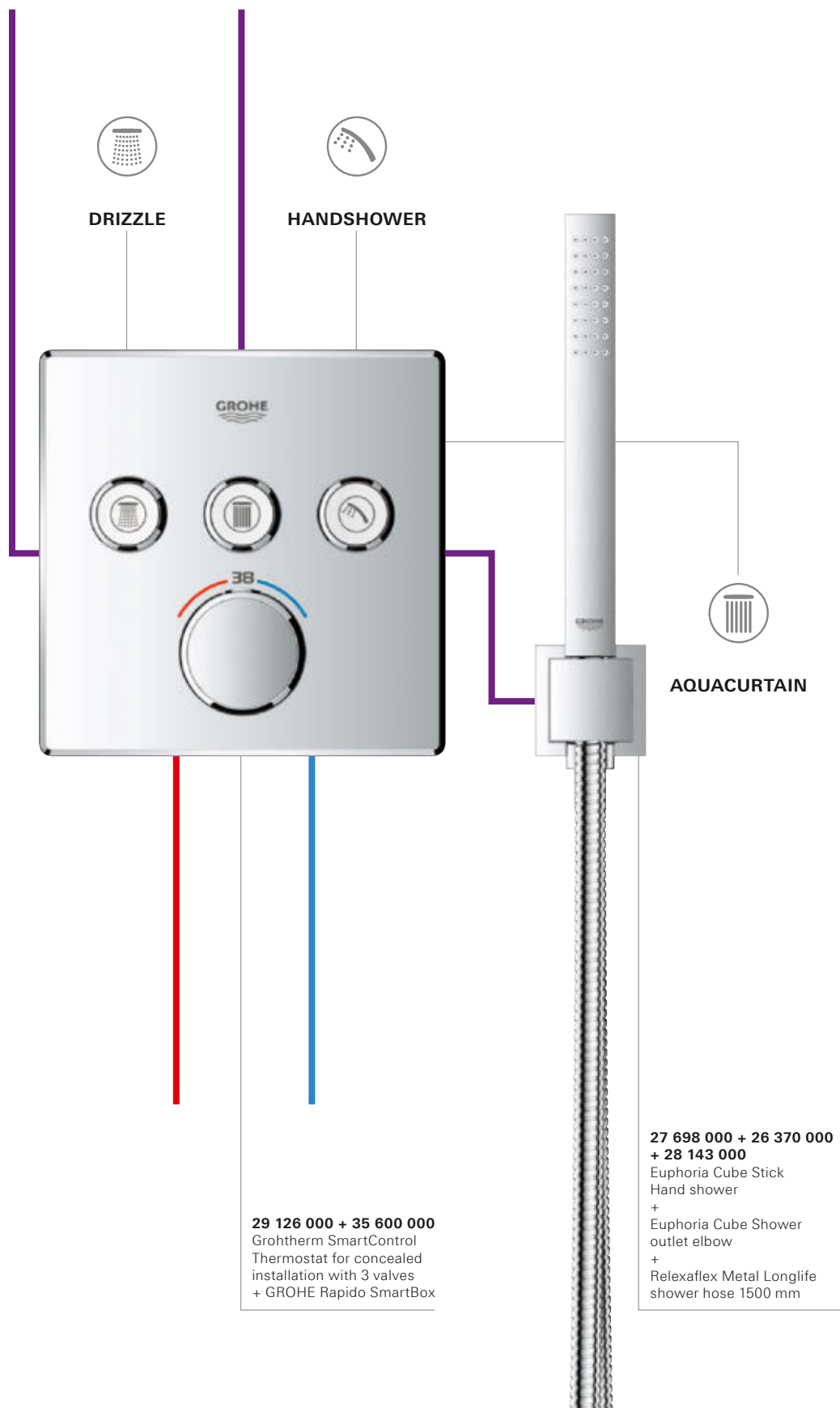
# GROHTHERM SMARTCONTROL WATER CONTROL



**ADDITIONAL CONCEALED BODIES NEEDED:**

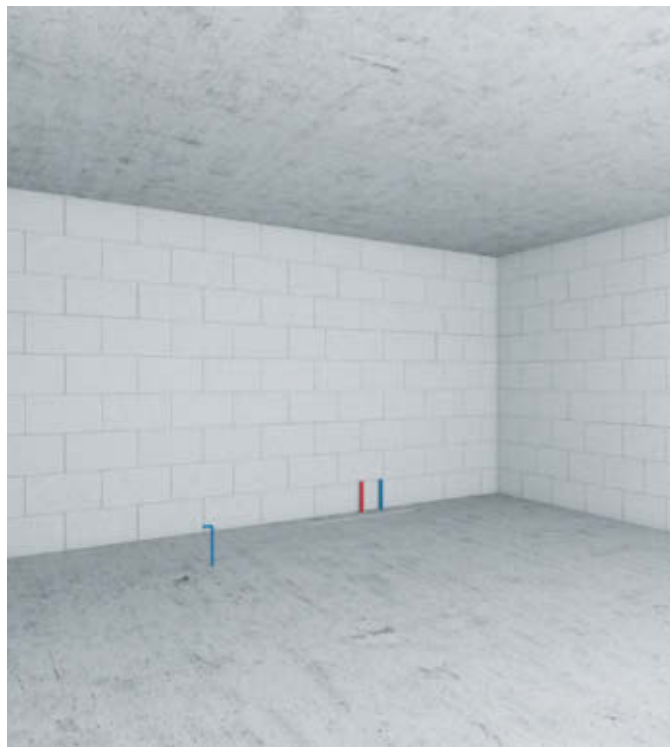
29 126 000 + 35 600 000  
Grotherm SmartControl  
Thermostat for concealed  
installation with 3 valves  
+ GROHE Rapido SmartBox

29 126 000 + 35 600 000  
Grotherm SmartControl  
Thermostat for concealed  
installation with 3 valves  
+ GROHE Rapido SmartBox



# GROHE F-DIGITAL DELUXE CONFIGURATION XL

## BARE BRICKWORK



### SIZE OF THE SHOWER CABIN:

2 x 2.40 m

### ROOM HEIGHT:

Ceiling height in steam bath should not exceed 2.20–2.30 m.

To comply with local legal regulations GROHE recommends a side room is used for the steam generator and the base unit box; it should have a free floor drain/siphon.

Performance of the waste: >100 l/min

### ATTENTION:

The ceiling construction must be appropriate for the static requirement of the product (total product weight >70 kg).

Please have a look at the minimum/maximum volume of the steam cubicle in m<sup>3</sup> on page 11.

## LIGHTWEIGHT WALL CONSTRUCTION



Overview of the lightweight wall construction for the shower and the side room:

Wooden base for the sound modules, water controls as well as the steam outlet and temperature sensor.

Place the locker for the base unit box in the side room and fix it to the floor.

### INSTALLATION HEIGHTS:

- water controls: 1.15 m.
- sound modules: 1.75 m.
- steam outlet: 0.2 m and 0.2 m from side wall.
- temperature sensor: 1.7 m  
(with maximum distance to steam outlet).

The maximum distance from steam generator to base unit box should not exceed 4.5 m.

### ATTENTION:

Please note the different installation depths of the products carefully!

## DUCTWORK WITH CABLES



For an easy connection of the modules ensure cables have an extra 20cm for the concealed boxes.

### **MAXIMUM CABLE LENGTH LIGHT & SOUND MODULES:**

9.5 m (5 m included in delivery).

### **LIGHT MODULES:**

Connection from base unit to light curtain.

### **SOUND MODULES:**

Connect Y connector to the base unit box, split each pair of sound modules and place them opposite to each other in the SPA cabin.

### **REAR VENTILATION IS REQUIRED.**

## BARE BRICKWORK



Install all other concealed boxes for water controls.

Connect the warm and cold water and install pipes for water supply.

For installation heights please see table on page 50.

### **ATTENTION:**

Please do not forget to integrate a vapour barrier!



**VIEW FROM  
THE RIGHT SIDE**



# GROHE F-DIGITAL DELUXE CONFIGURATION XL

## UTILITY ROOM



Overview of the utility room, including steam generator and base unit box.

The steam generator has to be placed where it is accessible for maintenance.

In addition, a free floor drain/siphon is needed for boiling water after flushing.

The drain must be placed next to the steam generator but not directly below it to prevent upcoming steam.

All pipes must be 100 % isolated.

## FRONTAL VIEW



Connection of all single modules with the base unit box of configuration XL, including power supply (2 power supplies with 2 x sound modules, 1 light curtain, 1 steam module, 1 Bluetooth®, 1 temperature sensor, 2 x single light modules)

## WALL COVERING



While covering the wall take care to leave the overhanging cable ends in position; otherwise connection of the modules is not possible.

Please install each module in the concealed boxes and connect them according to the relevant TPIs.

For initial operation of the SPA shower cabin a mobile device with GROHE SPA App installed is required; it is not included with any GROHE F-digital Deluxe product.



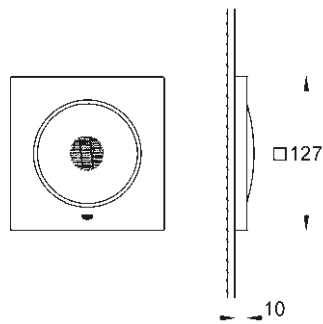
# GROHE F-DIGITAL DELUXE CONFIGURATION XL

If you have the space then why not enjoy the true liberation of a super-sized shower experience with the new AquaSymphony Rainshower shower head? At over a meter wide it offers six spray options to suit your mood, including the astonishing AquaCurtain that embraces you in an overwhelming curtain of water. Enjoy music inside the shower and outside thanks to four speakers, and feel the soothing benefits of coloured light flooding the whole space. The supremely accurate Grotherm F thermostatic controls let you orchestrate your own bespoke shower experience with ease, meaning you are always stepping into a shower that is just the right temperature for ultimate indulgence.

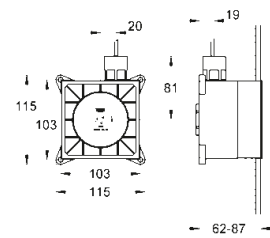




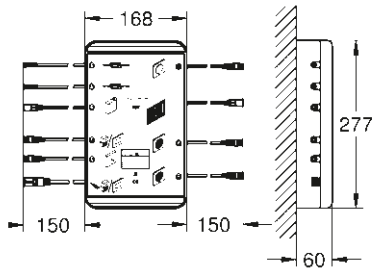
# GROHE F-DIGITAL DELUXE CONFIGURATION XL WITH GROHTHERM F



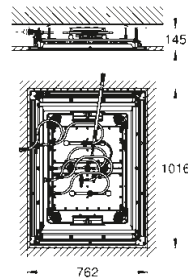
**2 x 36 360 000**  
Sound set



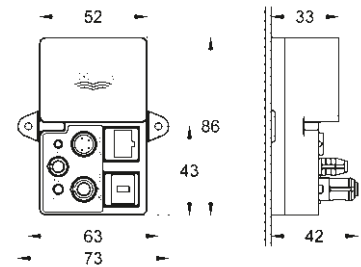
**2 x 29 073 000**  
Rough-in sound set



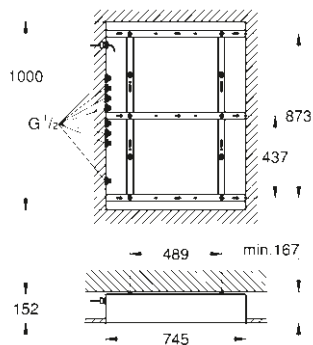
**26 374 000**  
Base unit box 4.0 Bluetooth® F-Series 40"



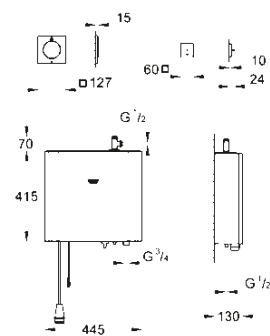
**26 373 001\***  
Rainshower F-Series 40"



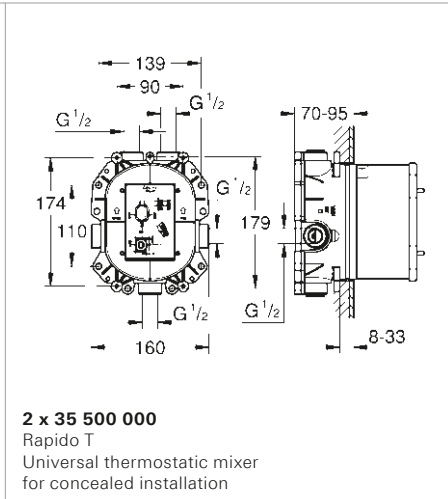
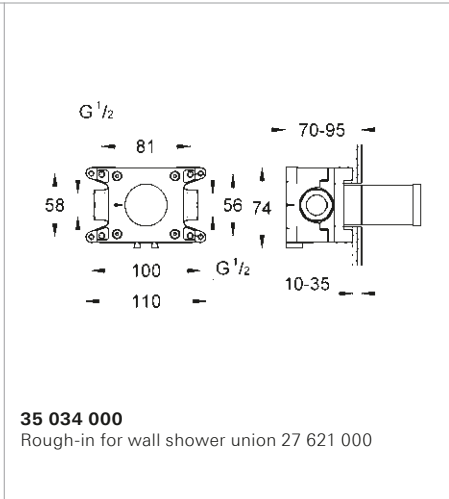
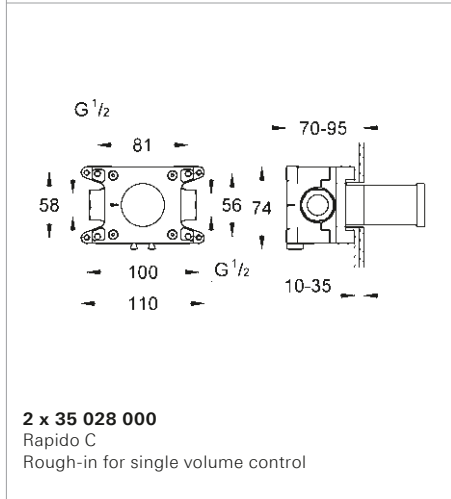
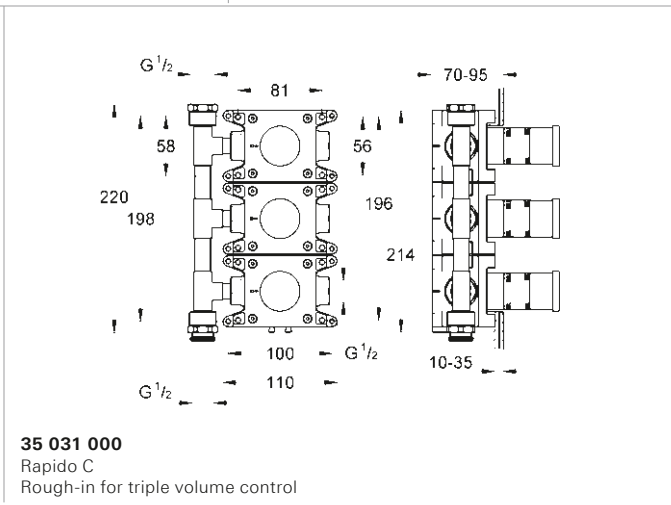
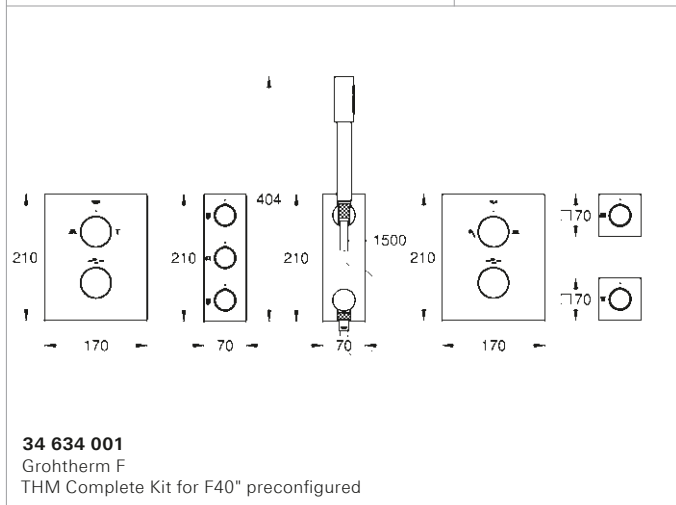
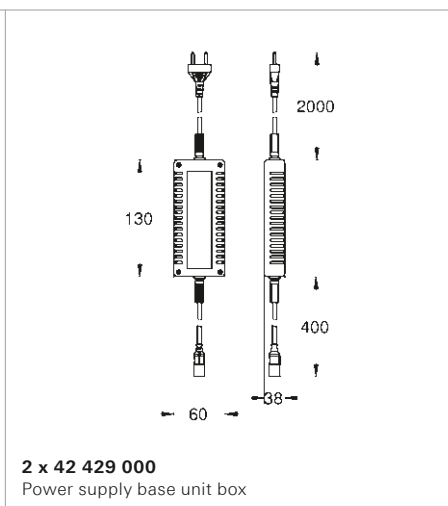
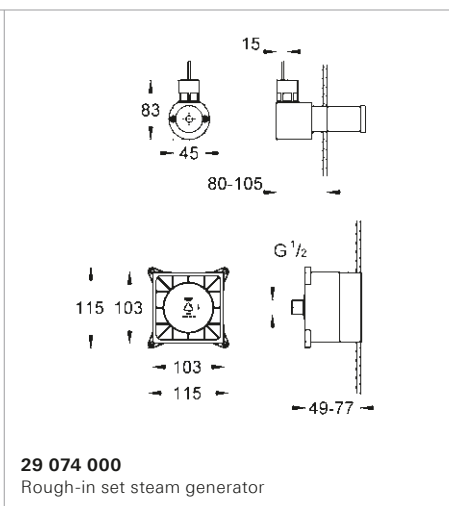
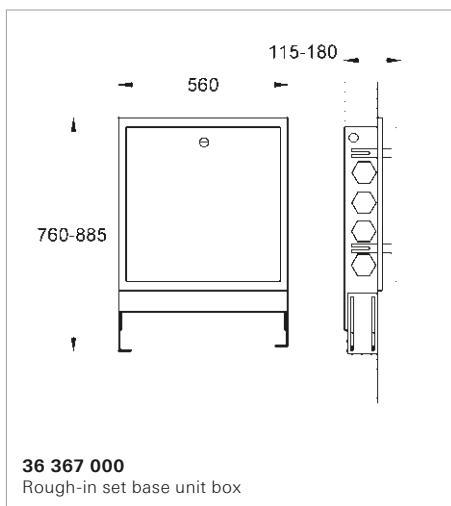
**36 371 000**  
Bluetooth® unit



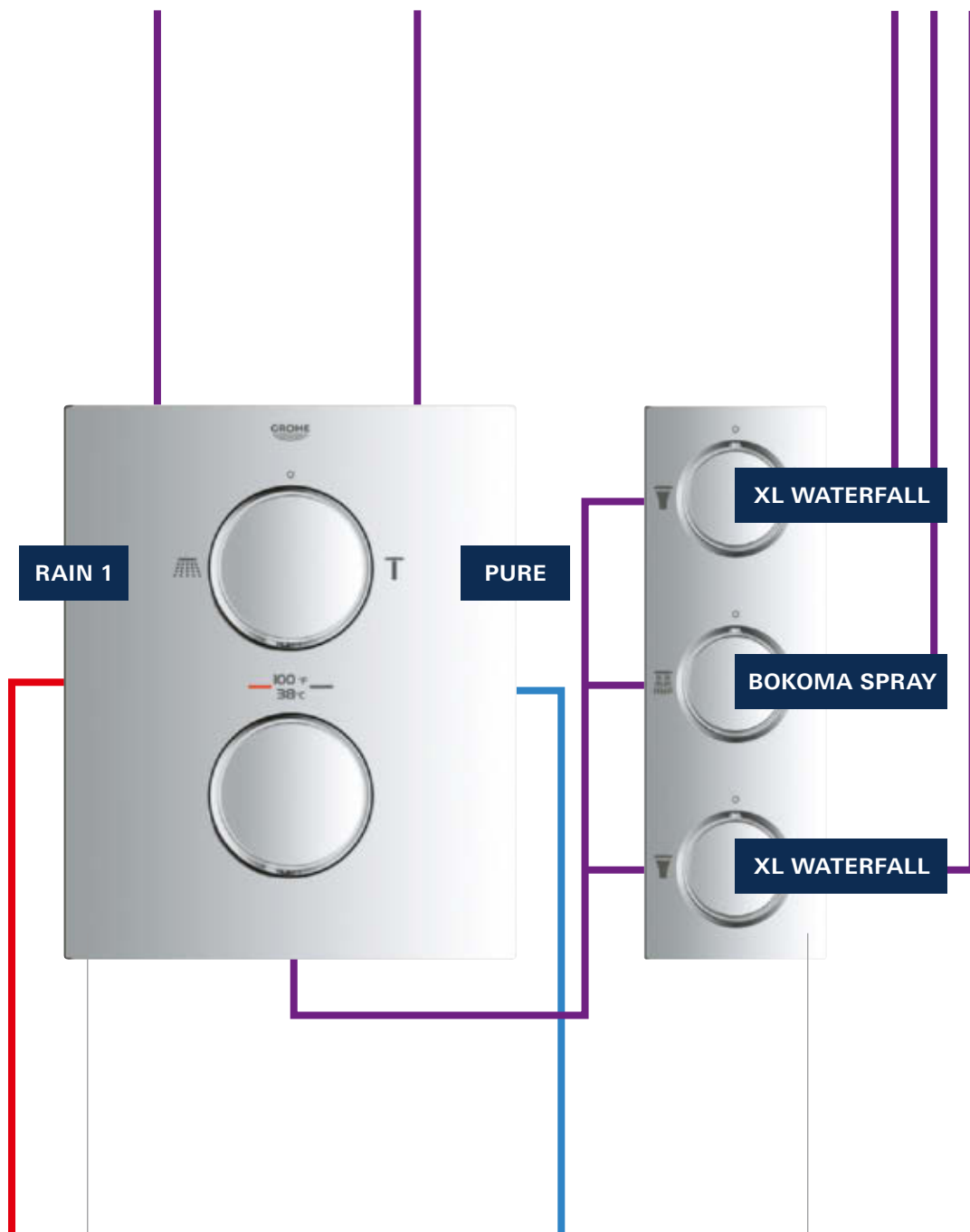
**26 376 001**  
Rainshower F-Series 40" roughing-in set



**27 934 000**  
Steam generator 6.6 kW  
with steam outlet and temperature sensor



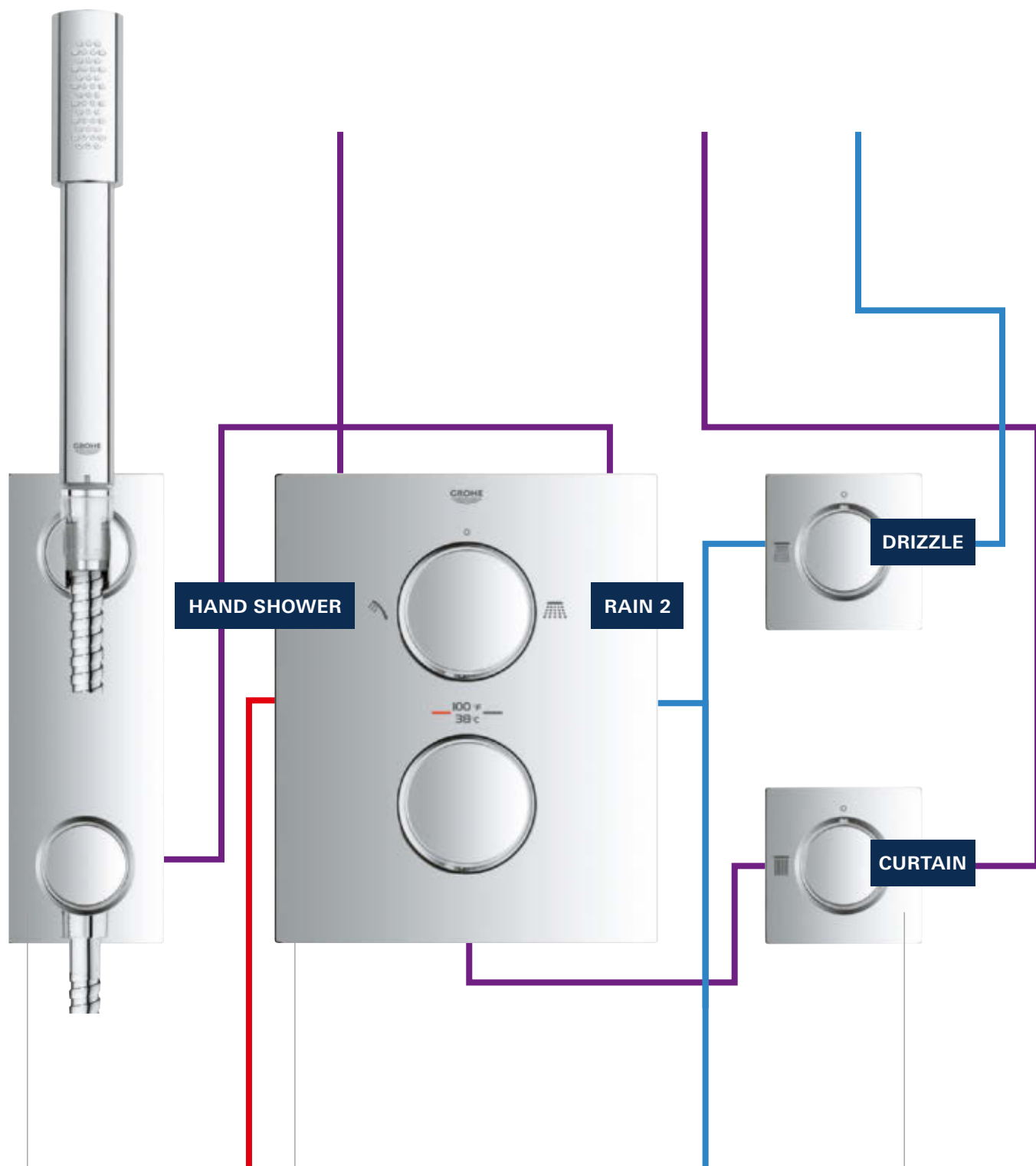
# GROHTHERM F WATER CONTROL TRIMS 34 634 001



**ADDITIONAL CONCEALED  
BODIES NEEDED:**

**35 500 000**  
Rapido T  
Universal thermostatic mixer

**35 031 000**  
Rapido C  
Rough-in for triple volume control



**HAND SHOWER**

**RAIN 2**

**DRIZZLE**

**CURTAIN**

**35 034 000**  
Rough-in for wall shower  
union 27 621 000

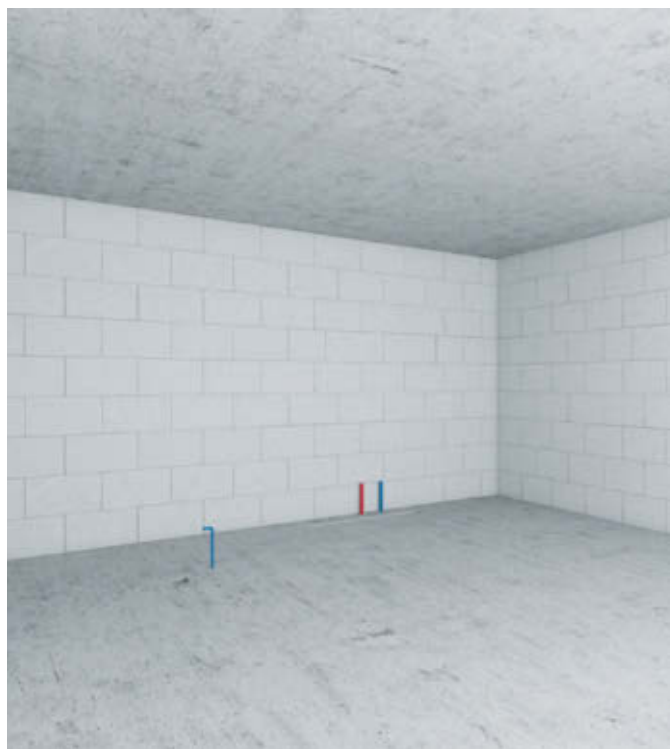
**35 500 000**  
Rapido T  
Universal thermostatic mixer

**2 x 35 028 000**  
Rapido C  
Rough-in for single volume control



# GROHE F-DIGITAL DELUXE CONFIGURATION XL

## BARE BRICKWORK



### SIZE OF THE SHOWER CABIN:

2 x 2.40 m

### ROOM HEIGHT:

Ceiling height in steam bath should not exceed 2.20–2.30 m.

To comply with local legal regulations GROHE recommends a side room is used for the steam generator and the base unit box; it should have a free floor drain/siphon.

Performance of the waste: >100 l/min

### ATTENTION:

The ceiling construction must be appropriate for the static requirement of the product (total product weight >70 kg).

Please have a look at the minimum/maximum volume of the steam cubicle in m<sup>3</sup> on page 11.

## LIGHTWEIGHT WALL CONSTRUCTION



Overview of the lightweight wall construction for the shower and the side room:

Wooden base for the sound modules, water controls as well as the steam outlet and temperature sensor.

Place the locker for the base unit box in the side room and fix it to the floor.

### INSTALLATION HEIGHTS:

- water controls: 1.15 m.
- sound modules: 1.75 m.
- steam outlet: 0.2 m and 0.2 m from side wall.
- temperature sensor: 1.7 m  
(with maximum distance to steam outlet).

The maximum distance from steam generator to base unit box should not exceed 4.5 m.

### ATTENTION:

Please note the different installation depths of the products carefully!

## DUCTWORK WITH CABLES



For an easy connection of the modules ensure cables have an extra 20cm for the concealed boxes.

### **MAXIMUM CABLE LENGTH LIGHT & SOUND MODULES:**

9.5 m (5 m included in delivery).

### **LIGHT MODULES:**

Connection from base unit to light curtain.

### **SOUND MODULES:**

Connect Y connector to the base unit box, split each pair of sound modules and place them opposite to each other in the SPA cabin.

### **REAR VENTILATION IS REQUIRED.**

## BARE BRICKWORK



Install all other concealed boxes for water controls.

Connect the warm and cold water and install pipes for water supply.

For installation heights please see table on page 50.

### **ATTENTION:**

Please do not forget to integrate a vapour barrier!



**VIEW FROM  
THE RIGHT SIDE**

# GROHE F-DIGITAL DELUXE CONFIGURATION XL

## UTILITY ROOM



Overview of the utility room, including steam generator and base unit box.

The steam generator has to be placed where it is accessible for maintenance.

In addition, a free floor drain/siphon is needed for boiling water after flushing.

The drain must be placed next to the steam generator but not directly below it to prevent upcoming steam.

All pipes must be 100 % isolated.

## FRONTAL VIEW



Connection of all single modules with the base unit box of configuration XL, including power supply (2 power supplies with 2 x sound modules, 1 light curtain, 1 steam module, 1 Bluetooth®, 1 temperature sensor, 2 x single light modules)

## WALL COVERING



While covering the wall take care to leave the overhanging cable ends in position; otherwise connection of the modules is not possible.

Please install each module in the concealed boxes and connect them according to the relevant TPIs.

For initial operation of the SPA shower cabin a mobile device with GROHE SPA App installed is required; it is not included with any GROHE F-digital Deluxe product.



# INSTALLATION INSTRUCTIONS FOR ACCESSORIES

## Basin set

Mirror	1100 - 1250 mm
Shelf	1150 - 1250 mm
Glass holder	1150 - 1250 mm
Soap dish	950 - 1050 mm
Soap dispenser	950 - 1050 mm
Towel ring	900 - 1000 mm
Towel rail	850 - 950 mm
Basin leading edge	850 mm

## Recommended height\*

## WC set

Toilet roll holder	700 - 800 mm
Spare toilet roll holder	200 - 250 mm
Toilet brush set	200 - 250 mm
from the floor mounting height of WC without lid	400 mm

## Recommended height\*

## Bath set

Towel rail 600/800 mm	1550 - 1750 mm
Robe hook	1550 - 1750 mm
Soap dish	100 - 350 mm **
Soap dispenser	100 - 350 mm **
Grip 300 mm	70 - 150 mm **

## Recommended height\*

## Bidet set

Towel ring	900 - 950 mm
Soap dish	650 - 750 mm

## Recommended height\*

## Shower set

Towel rail 600/800 mm	1550 - 1750 mm
Robe hook	1550 - 1750 mm
Soap dish	1200 - 1500 mm
Soap dispenser	1200 - 1500 mm
Grip 300 mm	1200 - 1500 mm

## Recommended height\*



# RECOMMENDED INSTALLATION HEIGHT FOR SHOWERS

DESCRIPTION		SHOWER INSTALLATION HEIGHT (CM)				
Body height	H	150	160	170	180	190
Water controls	h0	105	115	120	125	130
Side shower	h1	60	70	70	75	80
Side shower	h2	95	105	110	115	120
Side shower	h3	130	140	150	155	160
Temperature sensor	h4	150	160	170	180	190
Head shower	h5	200	210	225	235	250

H = body height

h0 = height of the water controls

h1 = height of the knee shower

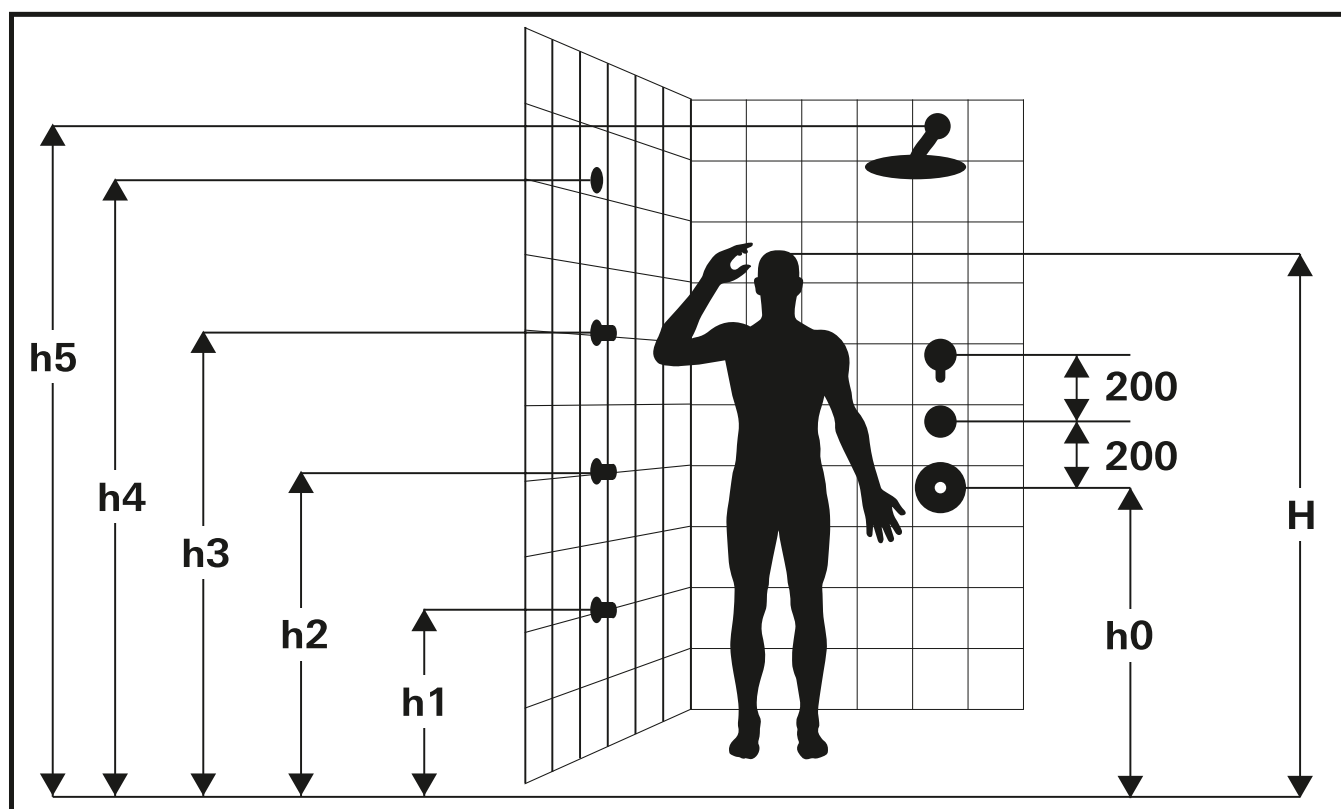
h2 = height of the hip shower

h3 = height of the shoulder shower

h4 = height of the temperature sensor

h5 = height of the head shower

Barrier free installation height of controller/diverter: 115 cm



**GROHE.CO.UK**

Follow us



GROHE Limited  
World Business Centre 2  
Newall Road  
London Heathrow Airport  
Middlesex  
TW6 2SF  
Tel: 0871 200 3414  
Fax: 0871 200 3415  
email: [info-uk@grohe.com](mailto:info-uk@grohe.com)

© 07/2017 – Copyright by GROHE

[www.parsital.com](http://www.parsital.com)

PART OF **LIXIL**