

JUST**SI**TIME



Wall-hung Toilet  
6371-A0-8000



Toilet Seat & Cover  
6371-AC-8000



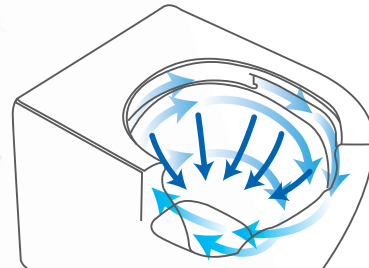
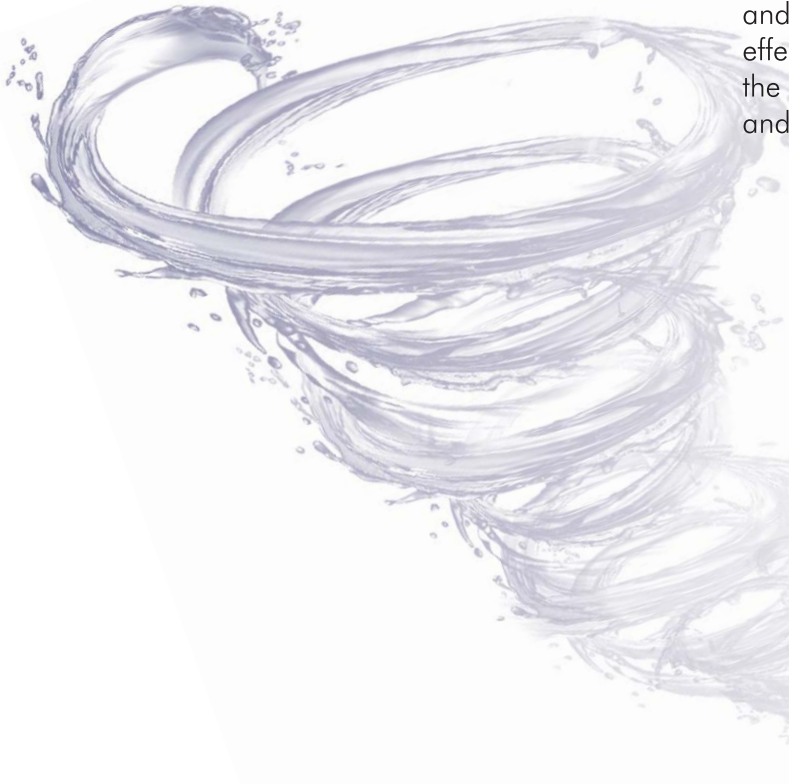
Toilet bowl  
6371-AA-8000



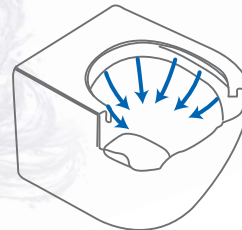
## Vortex Flush

### High-efficiency

Justime Vortex Flush system releases a powerful water stream inside the bowl and creates a whirlpool effect which effectively removes waste and cleans the surface and rim more thoroughly and quietly.



 Vortex flush



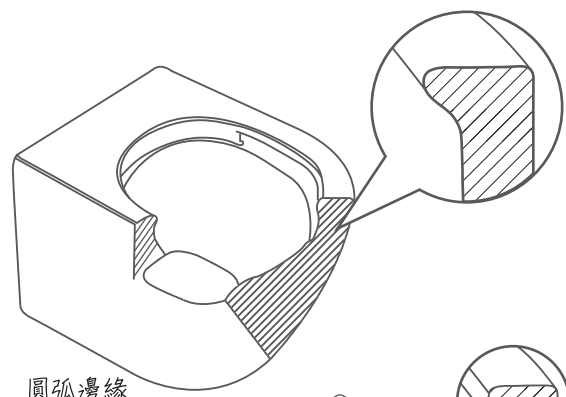
Traditional flush



## Rimless Design

### Rim-free fixture

Since cleanliness and hygiene are major concerns, Justime offers a rimless WC bowl for guaranteed hygiene and easy daily maintenance. The secret is in full access to every nook and cranny due to the rim-free fixture. Say no to poor hygiene and bacteria spread. We create comfort for everyone.



圓弧邊緣

傳統溝槽

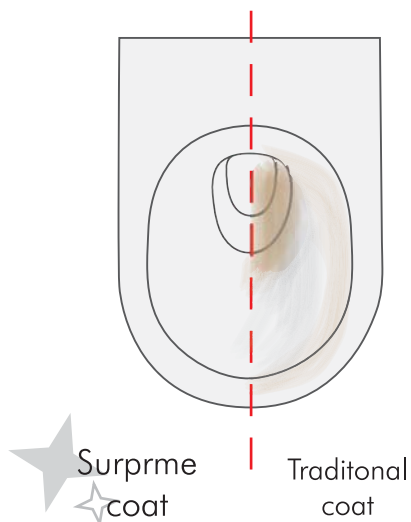


## Smooth by Design



## Clean and smooth

Rethink what's clean and smooth. Ultra-smooth. With the Supreme Coating applied to the bowl's surface we are able to reduce the grime & lime scale accumulation, enabling residues to flow away easier. Justime toilets are designed to be clean in every way. The ultra-smooth surface technology will keep the toilet clean longer than before.

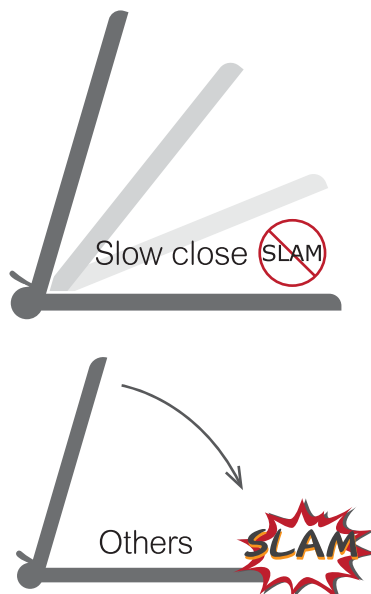


## Silent operation



## Damping buffer

Toilet seat is equipped with slam prevention technology and closes quietly and slowly just with a slight touch of a hand. Moreover, Justime toilet seats feature One-Touch Release hinges for a thorough and full cleaning.





## 360° Clean



### No blind spot

Looking for a clean bathroom while saving precious space? Then Justime wall-mounted toilet is your perfect solution.

Traditional conventional toilets have a floor base which highly accumulates filth and dirt which then leads to bacteria growth and spread. Since the wall-hang toilets need less space than traditional one, it is more convenient to maintain your bathroom space clean.



## Weight Resistance



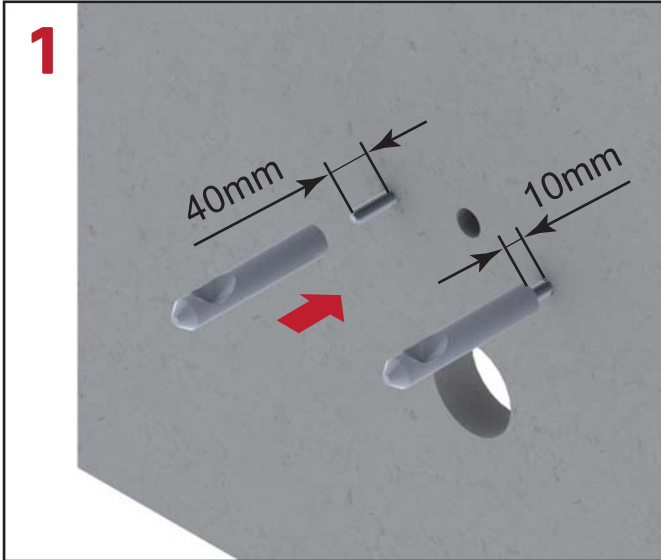
### Weight Resistance

All the components are made of high-quality durable materials. Installation components are corrosion resistant and are able to withstand 400kg of weight resistance.



# INSTALLATION INSTRUCTIONS

## WALL-HUNG TOILET



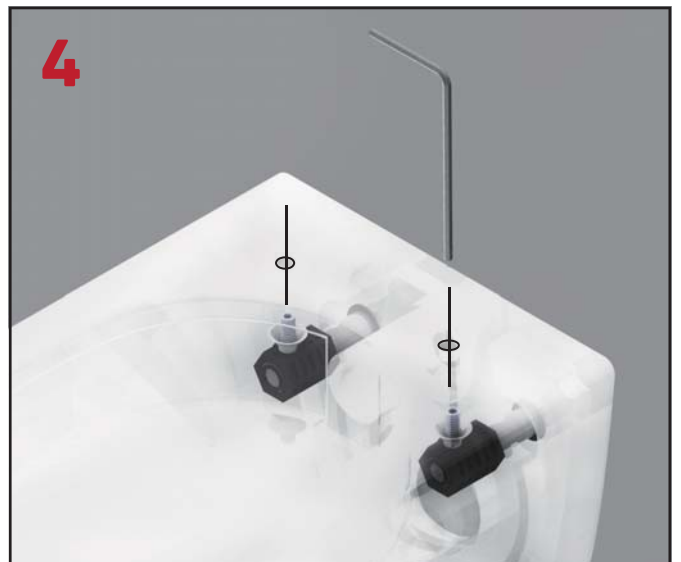
1. Available length of threaded rod from finished wall is 40mm, please cut the extra length before installing. **Fixing Rod** will be screwed to the threaded rod till 10mm from finished wall.  
**NOTICE:** The recess of **Fixing Rod** should be faced upward.



2. Assemble the **Fixing Bracket**, **Set Screw**, and **Slide Cap** together, put the bracket kits from the bottom of **Toilet**.  
**(NOTICE:** the **Set Screw** and **Slide Cap** should be faced upward), and then screw the **Fixing Nuts** with **Locking Tool** for assembling bracket kits securely to **Toilet**.



3. Slide the **Toilet** which has been assembled with two bracket kits to **Fixing Rods**.

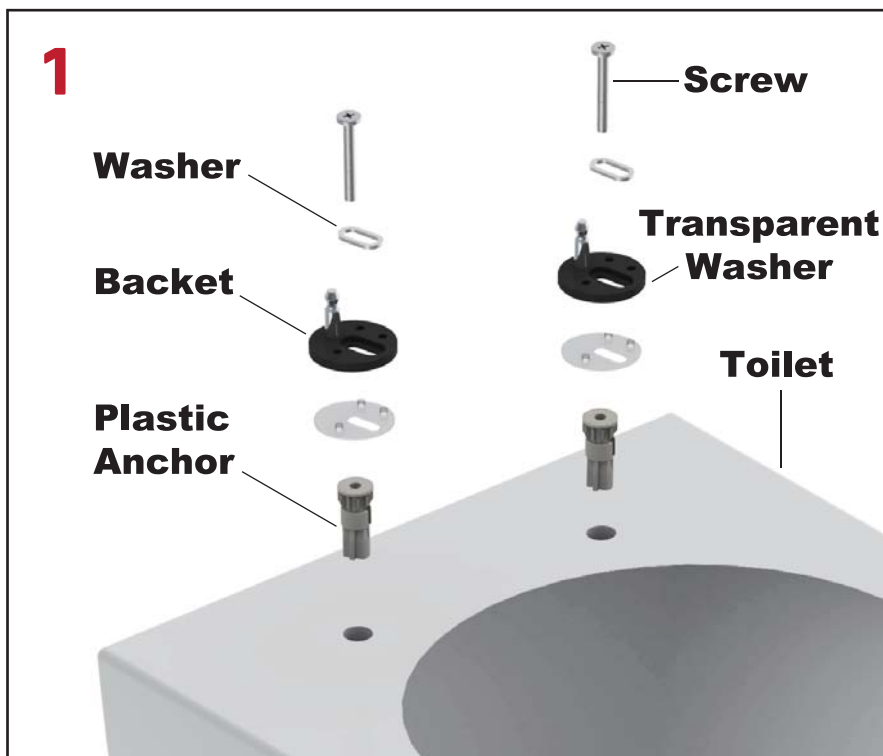


4. Tighten the **Set Screw** with provided **Hex key** to fix **Toilet** securely.



# INSTALLATION INSTRUCTIONS

## TOILET LID



1. Insert the **Plastic Anchors** into the installing holes on the toilet. Assemble the **Transparent Washer** and **Bracket** together, place the **Washer** to the oval hole of **Bracket**, and then fix to **Plastic Anchor** with **Screw**.

